



US00D623839S

(12) **United States Design Patent**  
**Leleu**

(10) **Patent No.:** **US D623,839 S**

(45) **Date of Patent:** **\*\* \*Sep. 21, 2010**

(54) **VAMP OF A FOOTWEAR ARTICLE**

(75) **Inventor:** **Arnaud Leleu**, Annecy-le-Vieux (FR)

(73) **Assignee:** **Salomon S.A.S.**, Metz-Tessy (FR)

(\*\*) **Term:** **14 Years**

(21) **Appl. No.:** **29/352,633**

(22) **Filed:** **Dec. 23, 2009**

(30) **Foreign Application Priority Data**

Jun. 25, 2009 (EM) ..... 001148324-0018

(51) **LOC (9) Cl.** ..... **02-99**

(52) **U.S. Cl.** ..... **D2/972; D2/946; D2/971;**  
D2/978

(58) **Field of Classification Search** ..... D2/896,  
D2/902, 906–908, 925, 929, 943, 944, 946,  
D2/969, 971, 972–974, 978; 36/45–49, 50.1,  
36/77 M, 77 R, 83, 88, 113, 114, 126–131  
See application file for complete search history.

(56) **References Cited**

**U.S. PATENT DOCUMENTS**

D87,458 S *	8/1932	Caldwell	.....	D2/929
D94,263 S *	1/1935	Epstein	.....	D2/929
D96,466 S *	8/1935	Goldberg	.....	D2/929
D100,519 S *	7/1936	Odenchrants	.....	D2/929
D124,600 S *	1/1941	Cook	.....	D2/929
D150,731 S *	8/1948	Sandler	.....	D2/929
D173,030 S	9/1954	Hoza	.....	D2/902
D226,884 S	5/1973	Persson	.....	D2/908
D310,292 S	9/1990	Selbiger	.....	132/969
D331,146 S	11/1992	Brown et al.	.....	D2/969
D331,312 S	12/1992	Close	.....	D2/969
D342,146 S	12/1993	Duncan et al.	.....	D2/908
D342,149 S	12/1993	Berger et al.	.....	D2/972
D347,317 S	5/1994	Avar	.....	D2/902
D398,760 S	9/1998	Rask	.....	D2/972
D400,003 S	10/1998	Fogg	.....	D2/972
D404,193 S	1/1999	Tong	.....	D2/972
D451,268 S	12/2001	Laberge et al.	.....	D2/972

D451,269 S	12/2001	Burt	.....	D2/972
D452,068 S	12/2001	Laberge et al.	.....	D2/972
D473,698 S	4/2003	St-Louis	.....	D2/957
D475,516 S	6/2003	Laberge	.....	D2/972
D478,415 S	8/2003	Masullo	.....	D2/972

(Continued)

**FOREIGN PATENT DOCUMENTS**

EM 000163225 4/2004 ..... 2/4

(Continued)

*Primary Examiner*—Dominic Simone

(74) *Attorney, Agent, or Firm*—Terence P. O'Brien

(57) **CLAIM**

I claim the ornamental design for a vamp of a footwear article, as shown and described.

**DESCRIPTION**

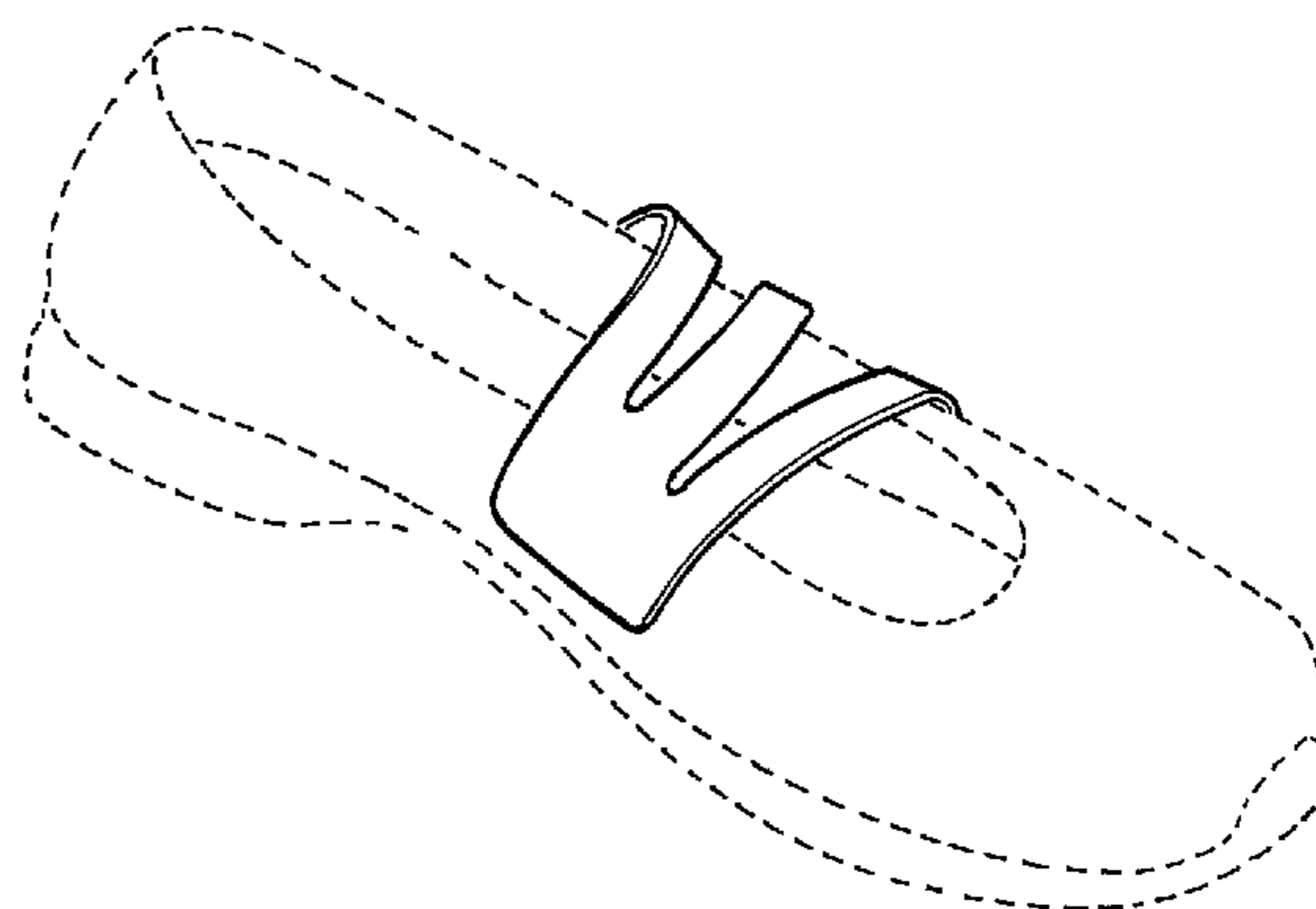
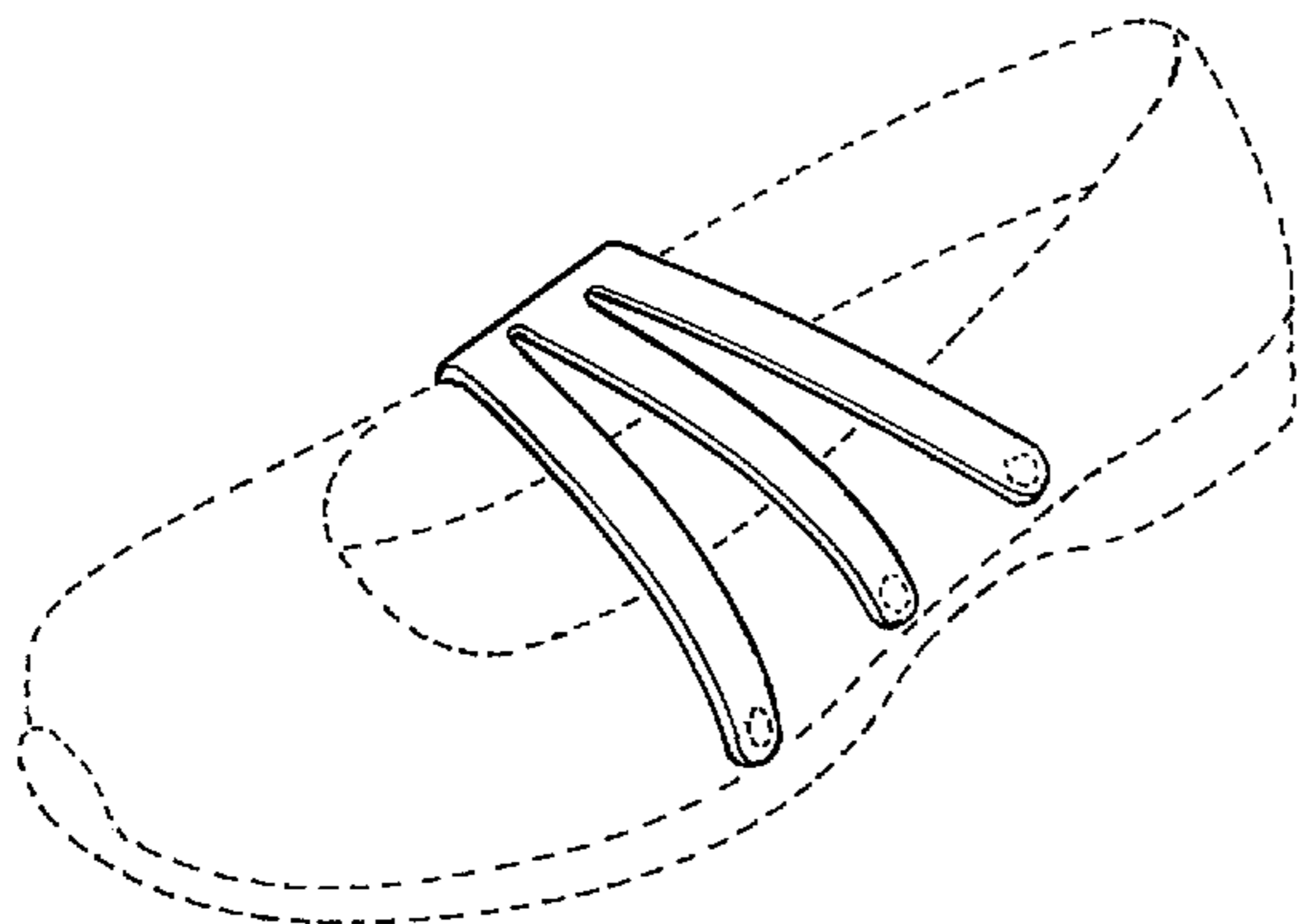
FIG. 1 is an upper, first side perspective view of a vamp of a footwear article;

FIG. 2 is an upper, second side perspective view of the vamp of the footwear article of FIG. 1; and,

FIG. 3 is a top view of the vamp of the footwear article of FIG. 1.

The ornamental design that is claimed is shown in solid lines in the drawings. The broken (dashed) lines shown in FIGS. 1 through 3 are included for the purpose of illustrating environmental elements only and form no part of the claimed design.

**1 Claim, 1 Drawing Sheet**



# US D623,839 S

Page 2

## U.S. PATENT DOCUMENTS

D479,391 S	9/2003	Hillyer .....	D2/972
D479,392 S	9/2003	Hillyer .....	D2/972
D479,644 S	9/2003	Sakai .....	D2/972
D481,530 S	11/2003	Hillyer .....	D2/972
D485,428 S	1/2004	Koo .....	D2/972
D494,350 S	8/2004	Hillyer .....	D2/972
D504,208 S	4/2005	Matis et al. ....	D2/969
D513,836 S *	1/2006	Magro et al. ....	D2/925
D514,302 S	2/2006	Young .....	D2/972
D515,800 S	2/2006	Bertholon .....	D2/972
D516,291 S	3/2006	Young .....	D2/972
D516,795 S	3/2006	Tresser .....	D2/972
D520,724 S	5/2006	Link .....	D2/972
D524,526 S	7/2006	Chang et al. ....	D2/972
D528,771 S	9/2006	Lupo .....	D2/972
D532,962 S *	12/2006	Teteriatnikov .....	D2/971
D538,019 S	3/2007	Schoenborn et al. ....	D2/969
D545,553 S	7/2007	McGrath .....	D2/972
D551,438 S	9/2007	Laberge .....	D2/972
D554,845 S	11/2007	Caine .....	D2/972
D560,057 S *	1/2008	Belley et al. ....	D2/969
D571,094 S *	6/2008	Wolf .....	D2/971
D575,500 S	8/2008	Laberge .....	D2/972
D576,400 S	9/2008	Grenet et al. ....	D2/972
D577,889 S	10/2008	Andersen et al. ....	D2/969

D579,184 S	10/2008	Challe et al. ....	D2/947
D580,155 S	11/2008	Banik .....	D2/969
D593,297 S	6/2009	Belley et al. ....	D2/969
D593,307 S	6/2009	Belley et al. ....	D2/969
D594,216 S	6/2009	Banik et al. ....	D2/969
D605,842 S	12/2009	Andersen et al. ....	D2/969
D610,337 S	2/2010	Holmes et al. ....	D2/972
D612,145 S	3/2010	Bosomworth .....	D2/972
D613,046 S *	4/2010	Yosef .....	D2/969
D613,047 S *	4/2010	Yosef .....	D2/969

## FOREIGN PATENT DOCUMENTS

EM	000163258	4/2004	.....	2/4
EM	000163274	4/2004	.....	2/4
EM	000271630	12/2004	.....	2/4
EM	000359138	6/2005	.....	2/4
EM	000414107	10/2005	.....	2/4
EM	000678586	2/2007	.....	2/4
EM	000968508	7/2008	.....	2/4
EM	001148324	6/2009	.....	2/4
WO	DM/040 463	6/1997	.....	2/4
WO	DM/046 170	12/1998	.....	2/4
WO	DM/059 764	4/2002	.....	2/4
WO	DM/060 677	7/2002	.....	2/4
WO	DM/063 639	5/2003	.....	2/4

\* cited by examiner

FIGURE 1

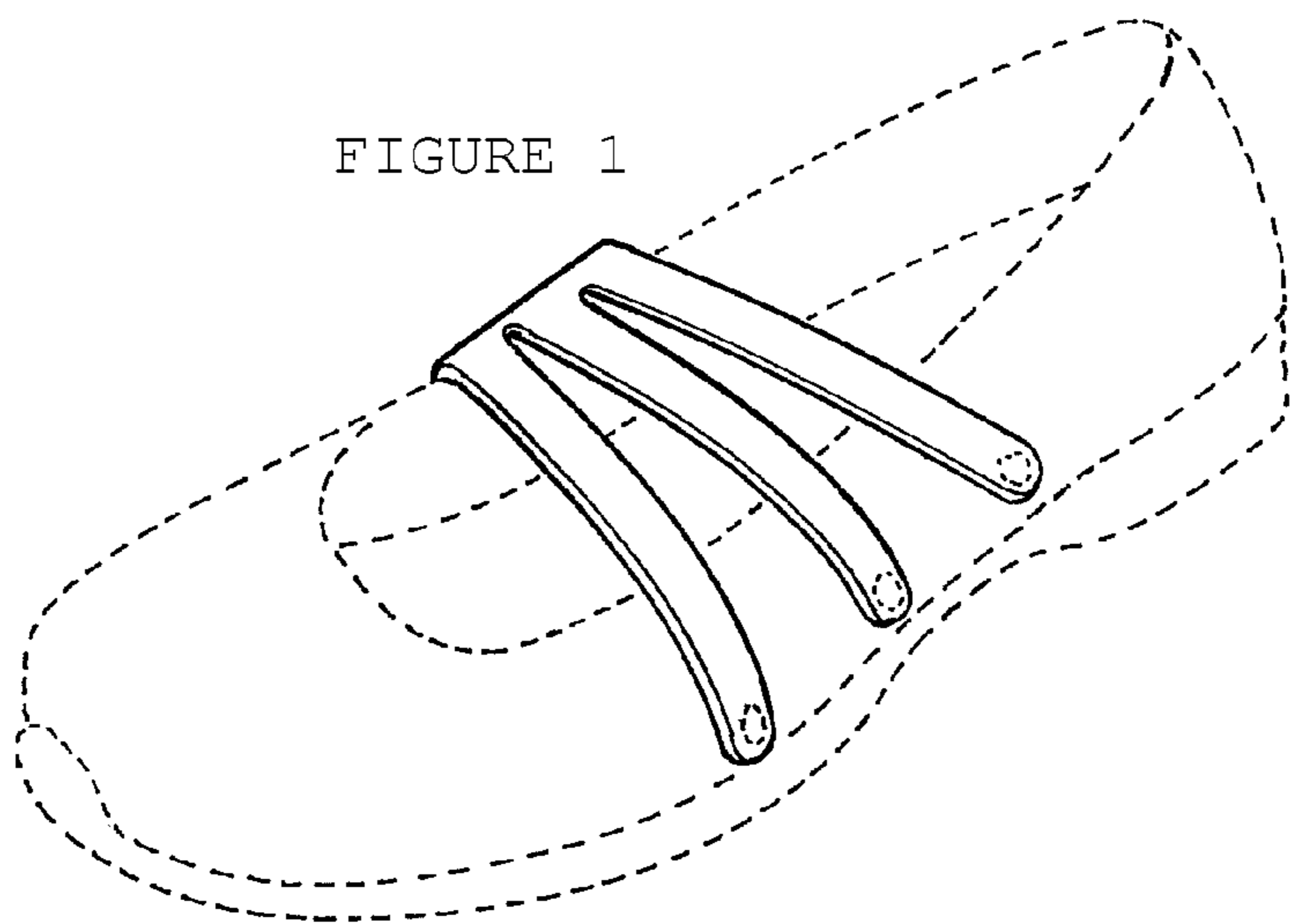


FIGURE 2

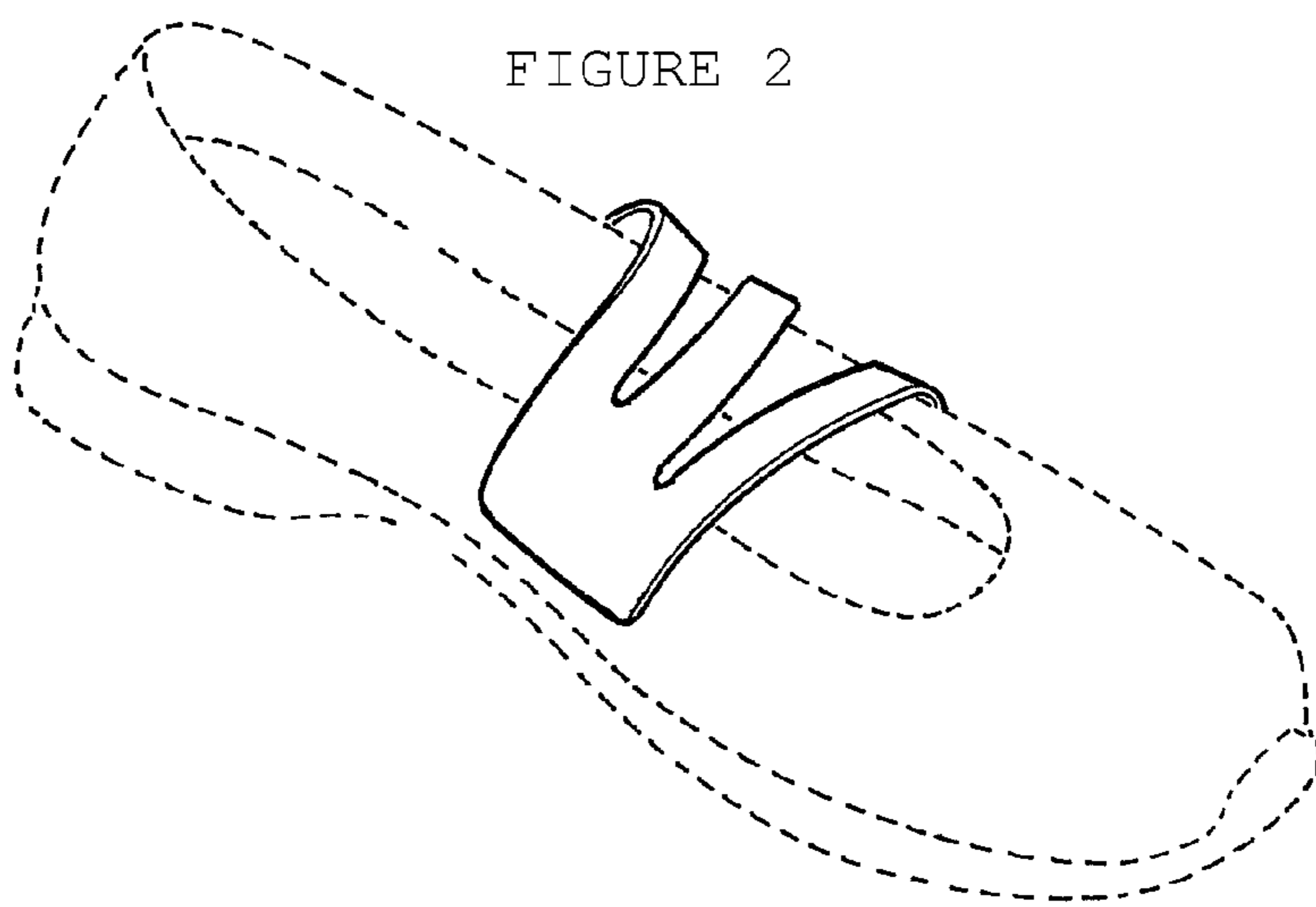


FIGURE 3

