



US00D623838S

(12) **United States Design Patent**
Teteriatnikov

(10) **Patent No.:** **US D623,838 S**

(45) **Date of Patent:** **** Sep. 21, 2010**

(54) **SHOE UPPER**

(75) Inventor: **Savva Teteriatnikov**, Venice, CA (US)

(73) Assignee: **Skechers U.S.A., Inc. II**, Manhattan Beach, CA (US)

(**) Term: **14 Years**

(21) Appl. No.: **29/358,099**

(22) Filed: **Mar. 22, 2010**

(51) **LOC (9) Cl.** **02-99**

(52) **U.S. Cl.** **D2/969**

(58) **Field of Classification Search** D2/896,
D2/902, 906-908, 943, 944, 969, 972-974;
36/45-49, 50.1, 77 M, 77 R, 83, 88, 113,
36/114, 126-131

See application file for complete search history.

(56) **References Cited**

U.S. PATENT DOCUMENTS

D239,478 S *	4/1976	Senteri	D2/907
D292,945 S	12/1987	Selbiger et al.		
D295,916 S	5/1988	Selbiger		
D297,070 S	8/1988	Selbiger		
D298,882 S	12/1988	Selbiger		
D309,824 S	8/1990	Aveni et al.		
D333,550 S	3/1993	Marziali et al.		
D342,148 S	12/1993	Dahlsten		
D342,603 S	12/1993	Adams et al.		
D343,047 S	1/1994	Tonkel		
D385,689 S	11/1997	James		
D431,899 S *	10/2000	Cooper	D2/972
D434,213 S	11/2000	Smith		
D443,408 S	6/2001	Laberge		
D468,891 S	1/2003	Truelsen		

D474,006 S *	5/2003	Schroeder et al.	D2/969
D474,883 S *	5/2003	Cooper	D2/972
D494,752 S *	8/2004	Adams et al.	D2/969
D515,299 S	2/2006	Burg		
D524,015 S	7/2006	Burg		
D528,279 S	9/2006	Smith, III		
D543,348 S	5/2007	Fullum		
D544,695 S	6/2007	Rasmussen		
D545,050 S *	6/2007	Shaffer	D2/972
D545,554 S *	7/2007	Shaffer	D2/972
D574,581 S *	8/2008	Cooper	D2/902
D575,496 S	8/2008	Roy et al.		
D612,144 S *	3/2010	Bosomworth	D2/972

* cited by examiner

Primary Examiner—Dominic Simone

(74) *Attorney, Agent, or Firm*—Marvin H. Kleinberg;
Marshall A. Lerner; Kleinberg & Lerner, LLP

(57) **CLAIM**

The ornamental design for a shoe upper, as shown and described.

DESCRIPTION

FIG. 1 is a perspective view of a shoe upper in accordance with my new design,

FIG. 2 is a left side view thereof;

FIG. 3 is a right side view thereof;

FIG. 4 is a top plan view thereof;

FIG. 5 is a rear elevation view thereof; and,

FIG. 6 is a front elevation view thereof.

Broken lines in the figures are for illustrative purposes only and form no part of the claimed design.

1 Claim, 5 Drawing Sheets

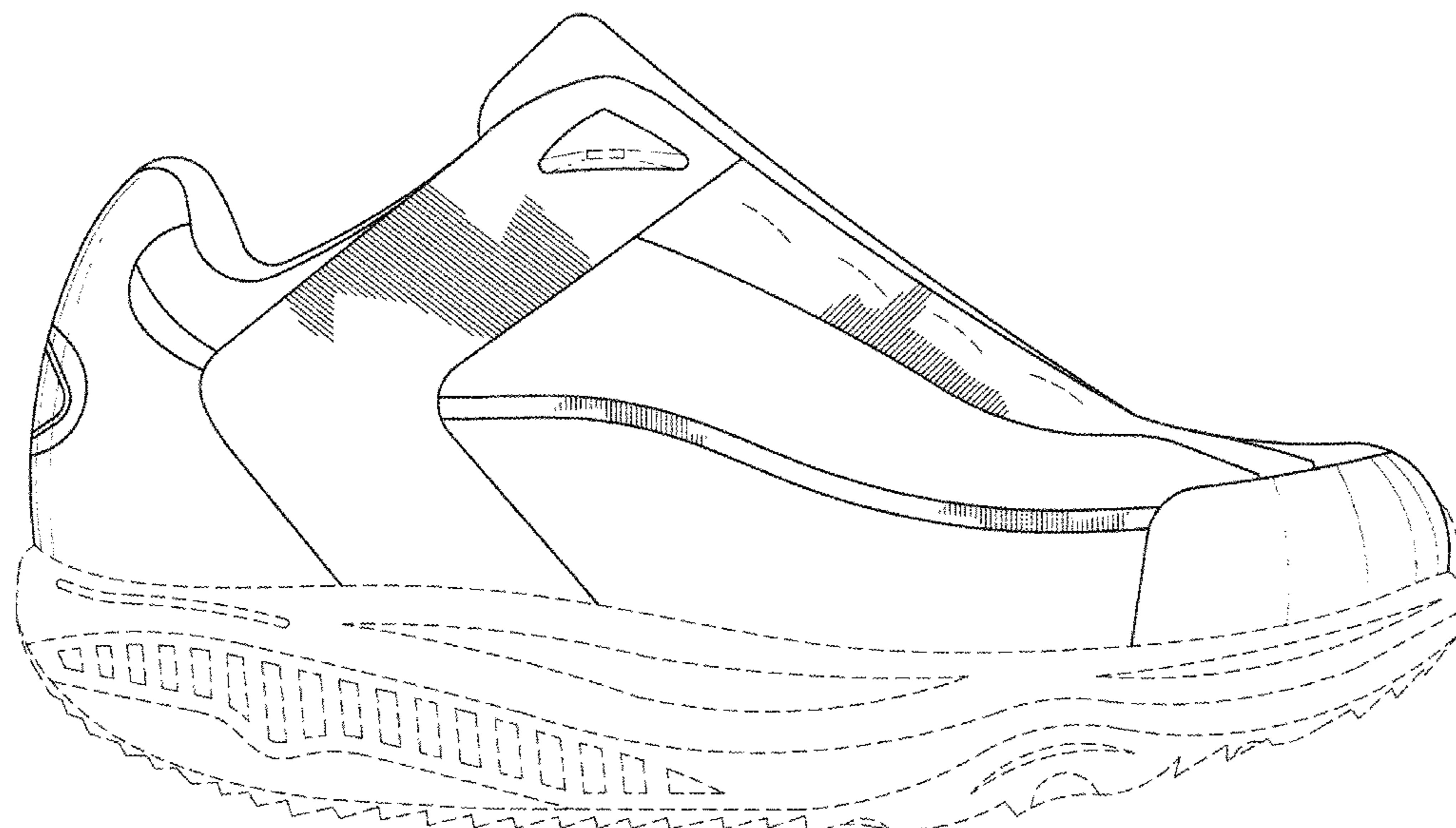
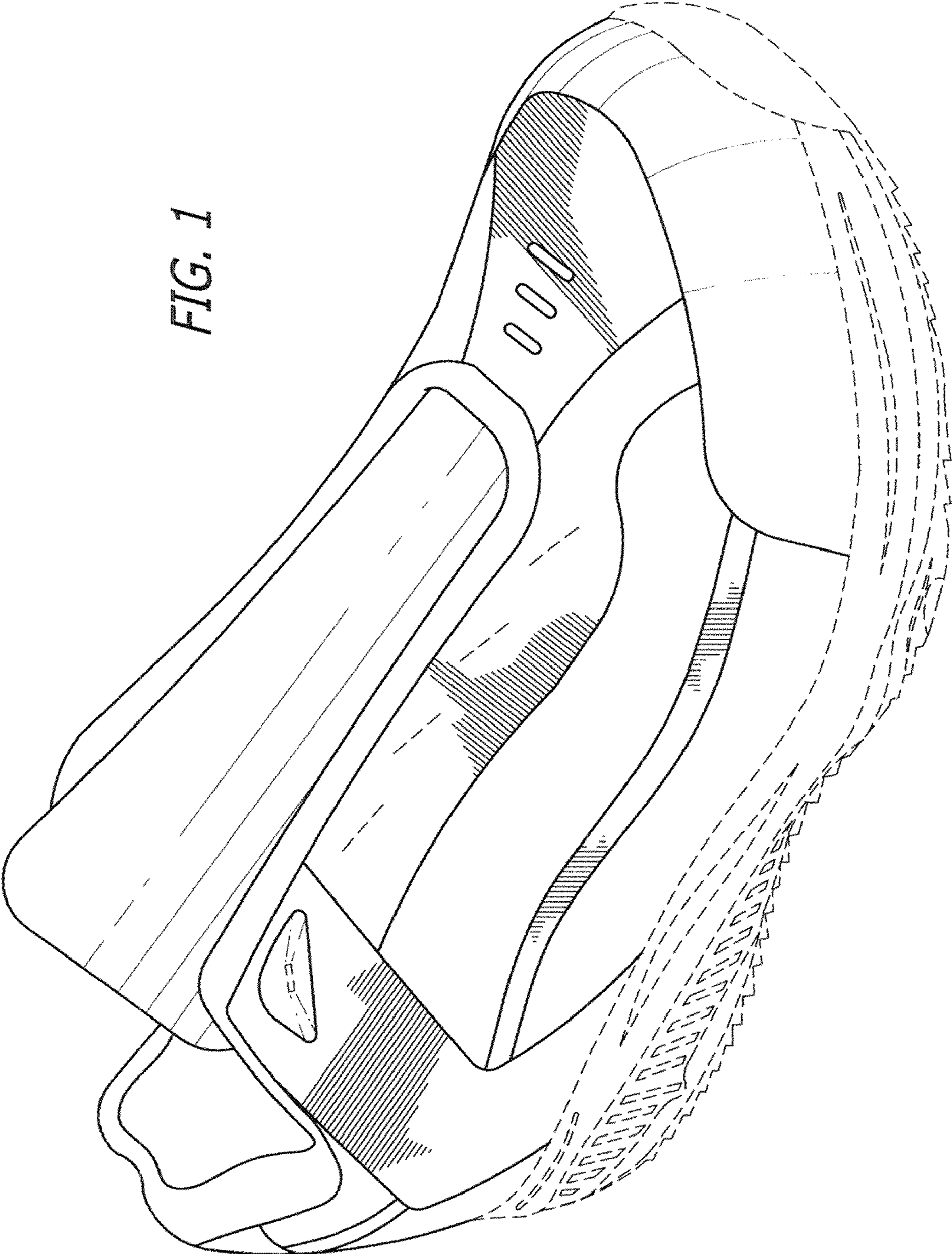


FIG. 1



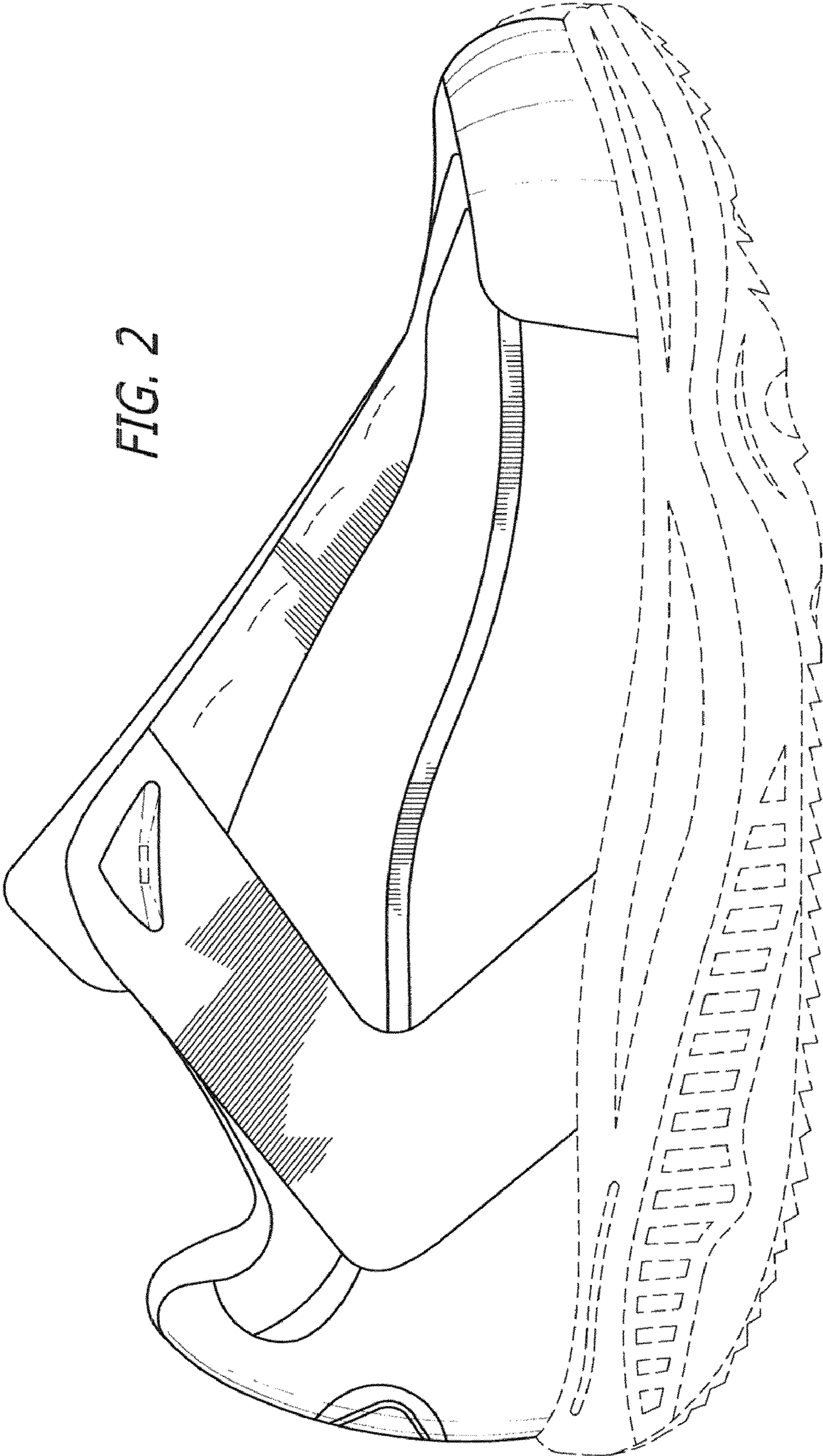


FIG. 2

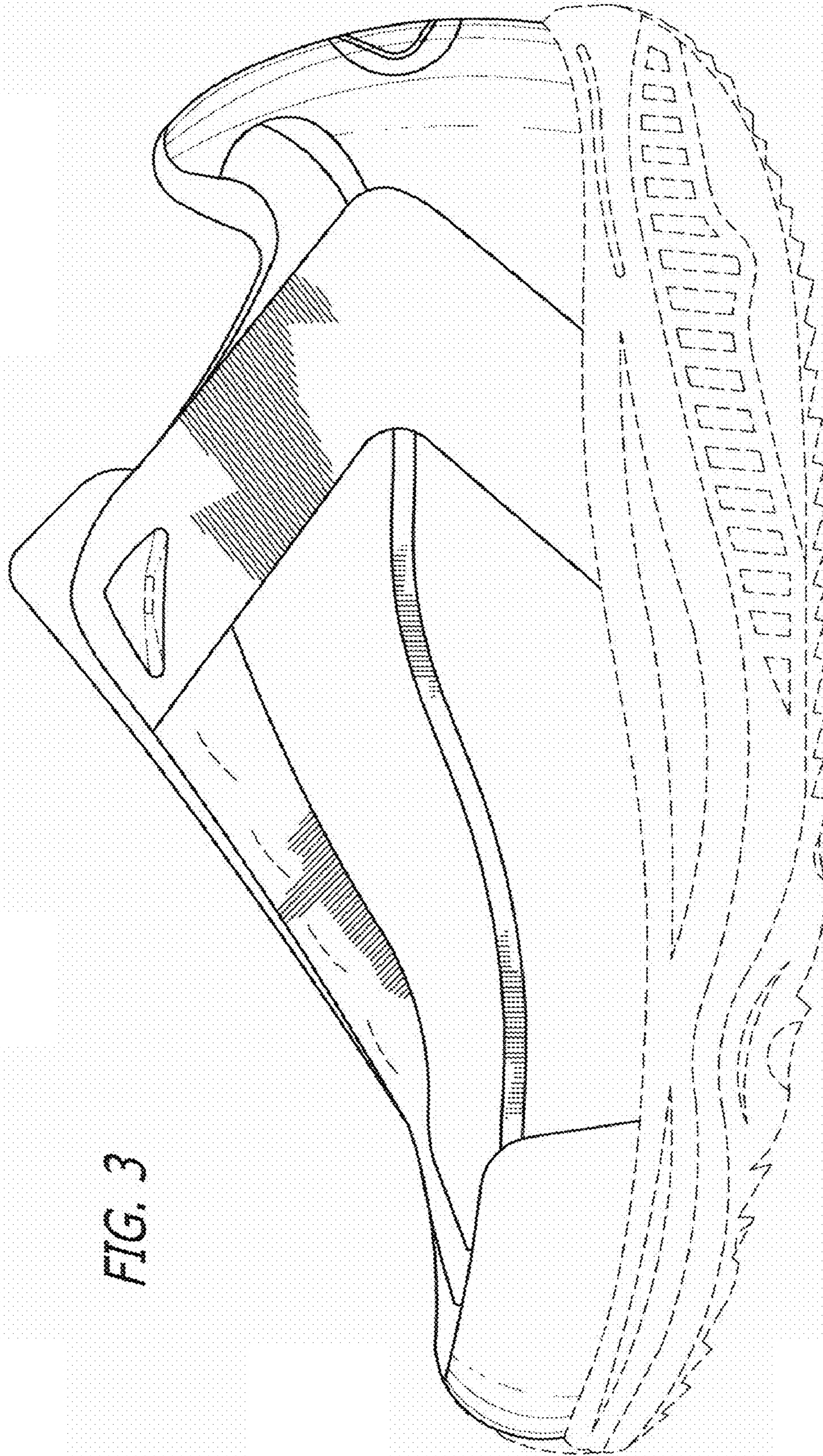


FIG. 3

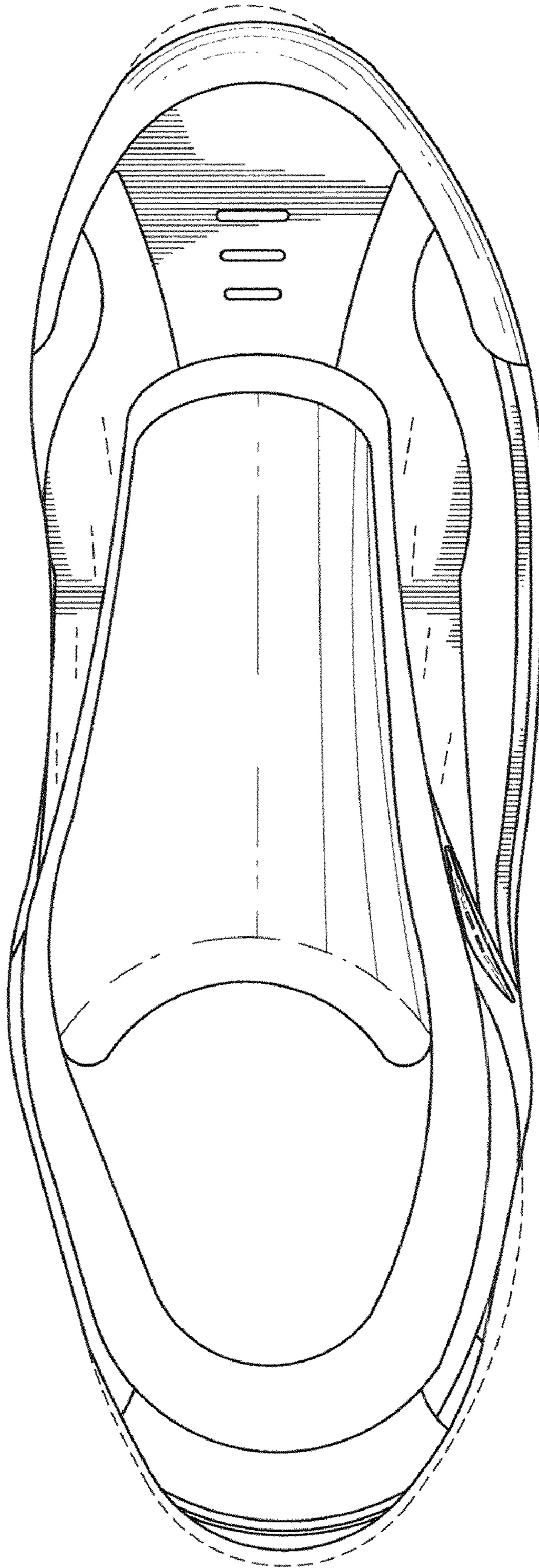


FIG. 4

FIG. 6

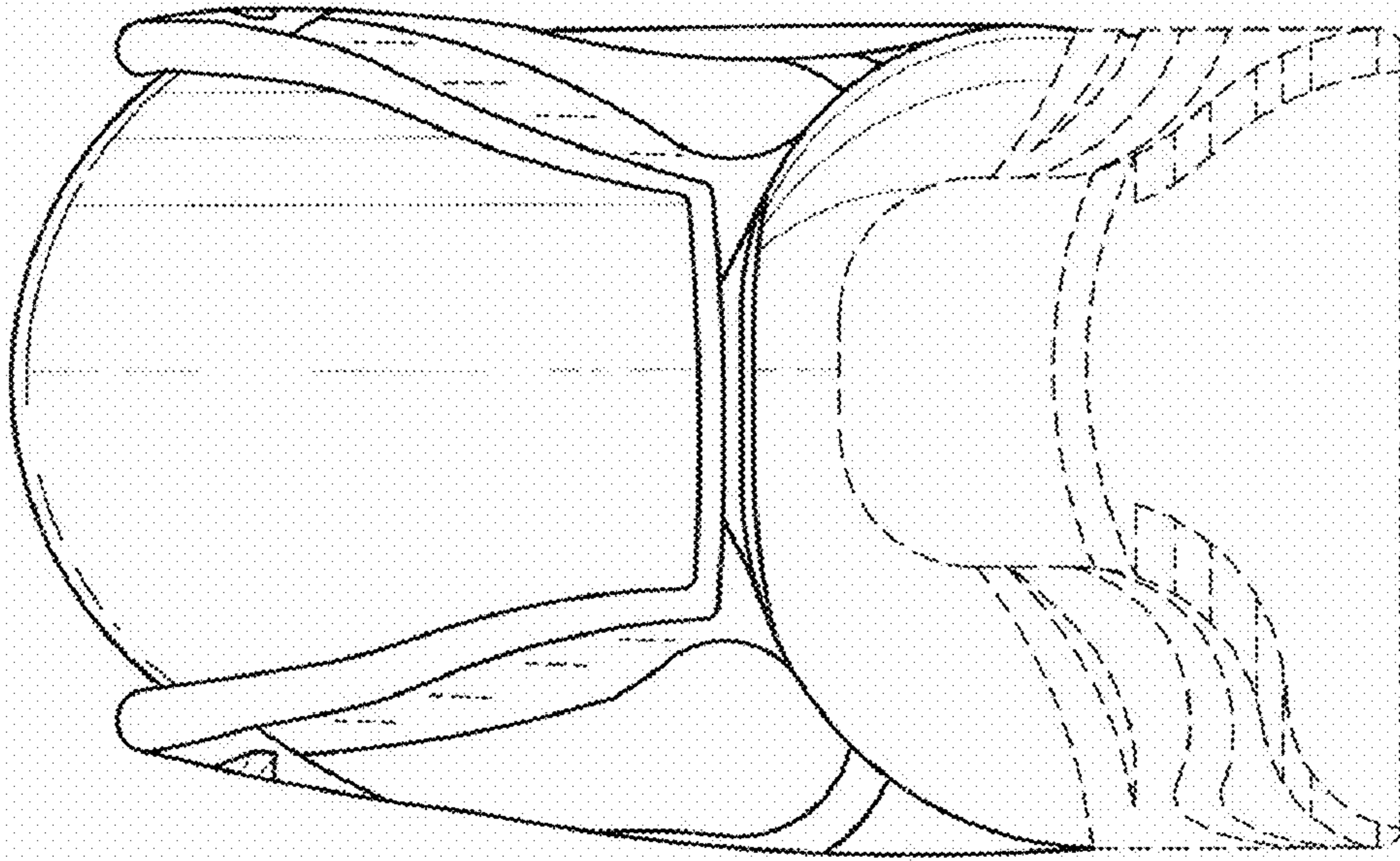


FIG. 5

