

US00D623833S

(12) **United States Design Patent**  
**Robb**

(10) **Patent No.:** **US D623,833 S**

(45) **Date of Patent:** **\*\* \*Sep. 21, 2010**

(54) **HAT ACCESSORY**

(76) Inventor: **Nathan J. Robb**, P.O. Box 901,  
Harrison, AR (US) 72602

(\*) Notice: This patent is subject to a terminal disclaimer.

(\*\*) Term: **14 Years**

(21) Appl. No.: **29/318,651**

(22) Filed: **May 23, 2008**

(51) **LOC (9) Cl.** ..... **02-03**

(52) **U.S. Cl.** ..... **D2/895**

(58) **Field of Classification Search** ..... D2/865,  
D2/866, 872, 873, 876, 879, 886, 887, 888,  
D2/891, 893, 895; D3/211; D11/1, 40, 78.1,  
D11/200, 204, 207, 215, 219, 224, 238; D19/65,  
D19/80, 94; D20/23; D28/39, 42; D32/61;  
2/10, 171, 209.11, 209.12, 209.13, 195.1;  
24/3.12, 326, 67 R, 545, 546, 547; 40/302,  
40/329, 636, 658, 661.4, 659; 248/305, 316.1  
See application file for complete search history.

(56) **References Cited**

**U.S. PATENT DOCUMENTS**

20,364	A *	5/1858	Pierce	.....	24/545
263,272	A *	8/1882	Whyte	.....	40/658
D25,611	S *	6/1896	Gardner	.....	D22/116
D26,677	S *	2/1897	Gardner	.....	D22/116
725,711	A *	4/1903	Howes	.....	40/658
1,241,409	A *	9/1917	Lizarraga	.....	102/501
D51,974	S *	4/1918	Sherman et al.	.....	D22/116
D100,740	S *	8/1936	Senegas	.....	D2/869
2,215,336	A *	9/1940	Romano	.....	24/545
D138,416	S *	8/1944	Fernandez	.....	D19/42
D141,816	S *	7/1945	Johnson	.....	D8/38
2,628,749	A *	2/1953	Ryden	.....	224/223
3,300,168	A *	1/1967	Gaudino	.....	248/227.2
D232,729	S *	9/1974	Abbott	.....	D22/116
4,150,624	A *	4/1979	Hammond	.....	102/293

4,945,639	A *	8/1990	Kirby	.....	30/329
5,528,990	A *	6/1996	Corzine et al.	.....	102/514
D372,660	S *	8/1996	Niessner	.....	D8/343
6,209,459	B1 *	4/2001	Kaufman et al.	.....	102/439
D444,171	S *	6/2001	McCullough	.....	D19/42
D467,831	S *	12/2002	Rauber	.....	D11/81
6,640,724	B1 *	11/2003	Robinson et al.	.....	102/517
D491,222	S *	6/2004	Derman	.....	D19/42
6,810,816	B2 *	11/2004	Rennard	.....	102/430
D529,418	S *	10/2006	Muhlnickel	.....	D12/162
7,143,697	B2 *	12/2006	Mace et al.	.....	102/430
7,150,282	B2 *	12/2006	Lane	.....	132/201
D546,657	S *	7/2007	Buening	.....	D8/103
D558,391	S *	12/2007	Lin	.....	D27/148
2004/0244256	A1 *	12/2004	Ramirez et al.	.....	42/76.01

\* cited by examiner

*Primary Examiner*—Elizabeth A Albert

*Assistant Examiner*—Karen E Eldridge Powers

(74) *Attorney, Agent, or Firm*—Bowers Law Firm; Brent A. Capehart

(57) **CLAIM**

The ornamental design for a hat accessory, as shown and described.

**DESCRIPTION**

FIG. 1 is a perspective view of a hat accessory showing my new design;

FIG. 2 is a top view thereof;

FIG. 3 is a side view thereof;

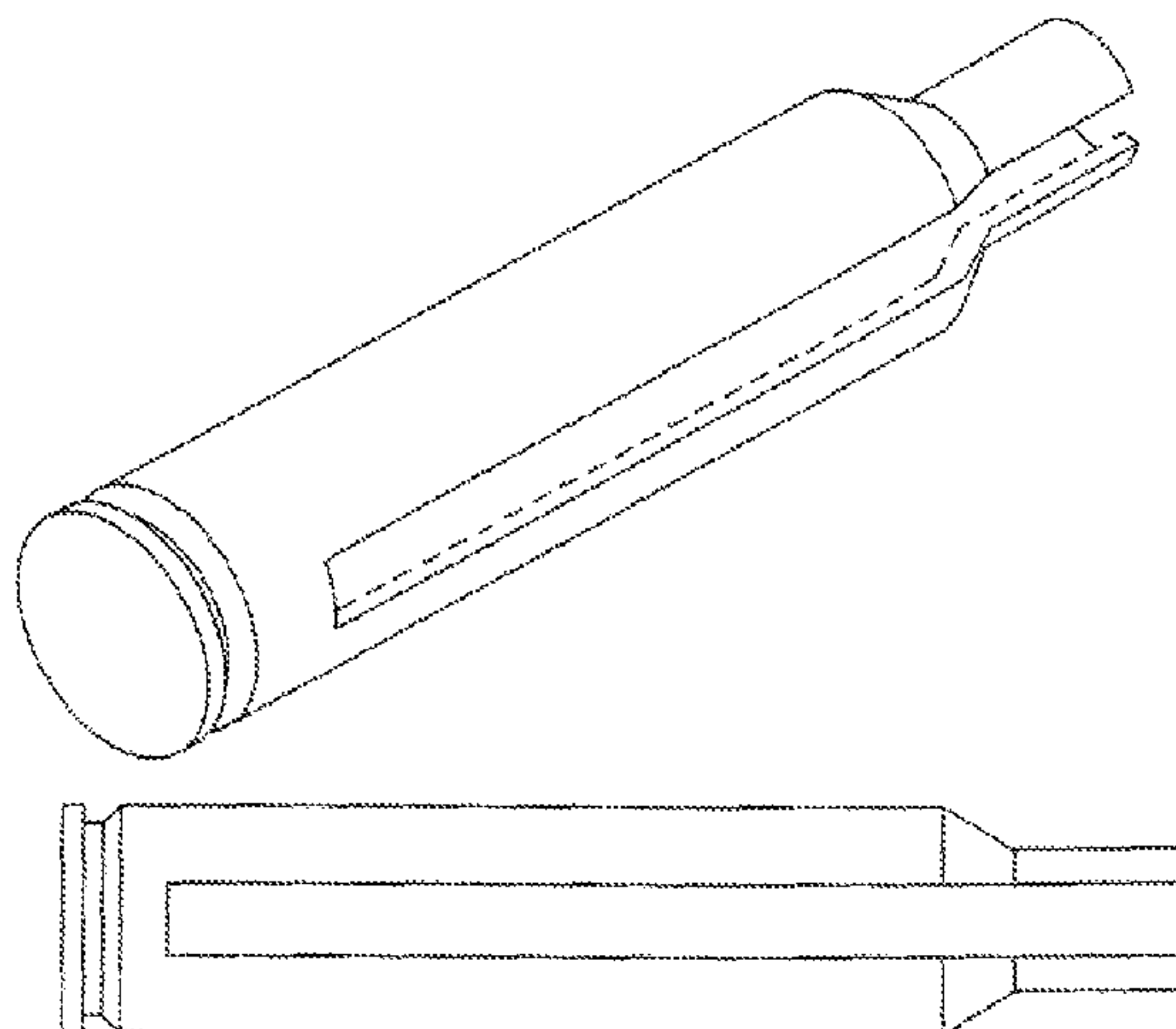
FIG. 4 is a front view thereof;

FIG. 5 is a rear view thereof; and,

FIG. 6 is a perspective view, showing the claimed design in use.

The broken lines in FIGS. 1 and 4, which define the bounds of the claimed design, form no part thereof. The broken line showing of the baseball-style cap in FIG. 6 illustrates environmental matter and forms no part of the claimed design.

**1 Claim, 3 Drawing Sheets**



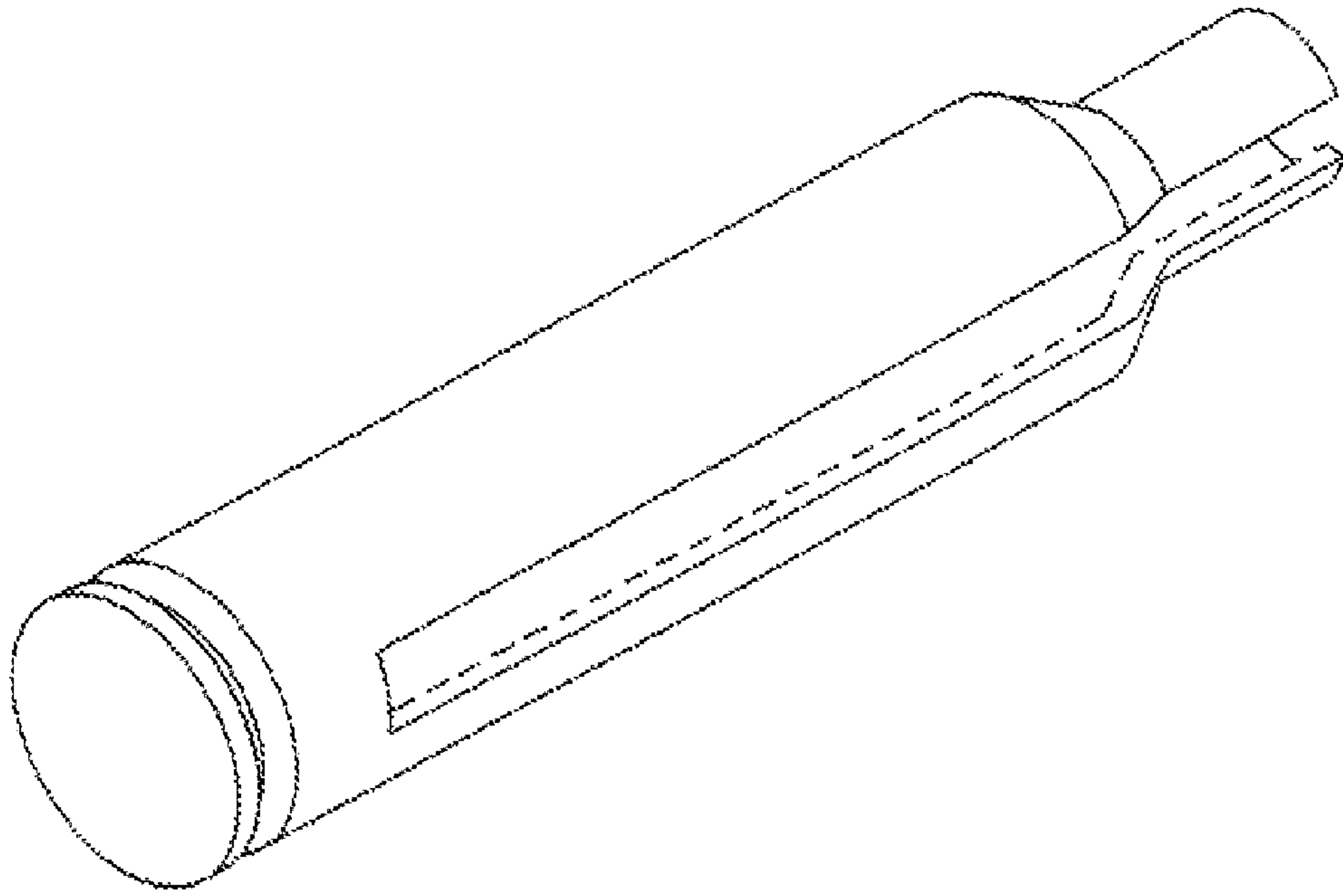


Figure 1

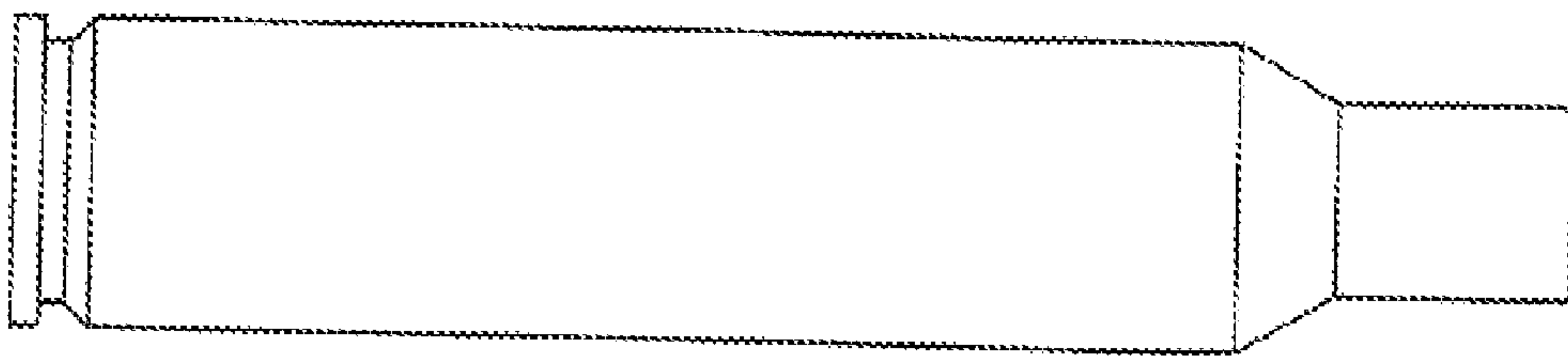


Figure 2

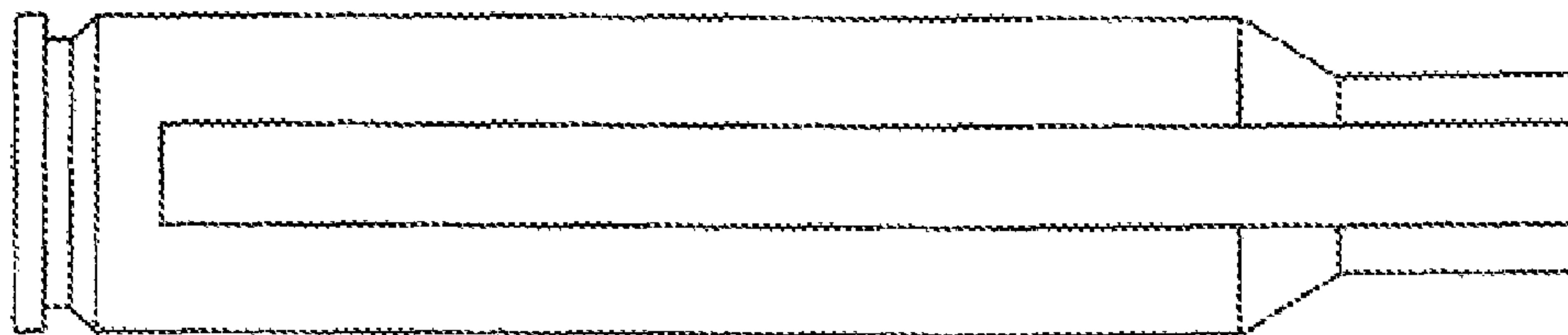


Figure 3

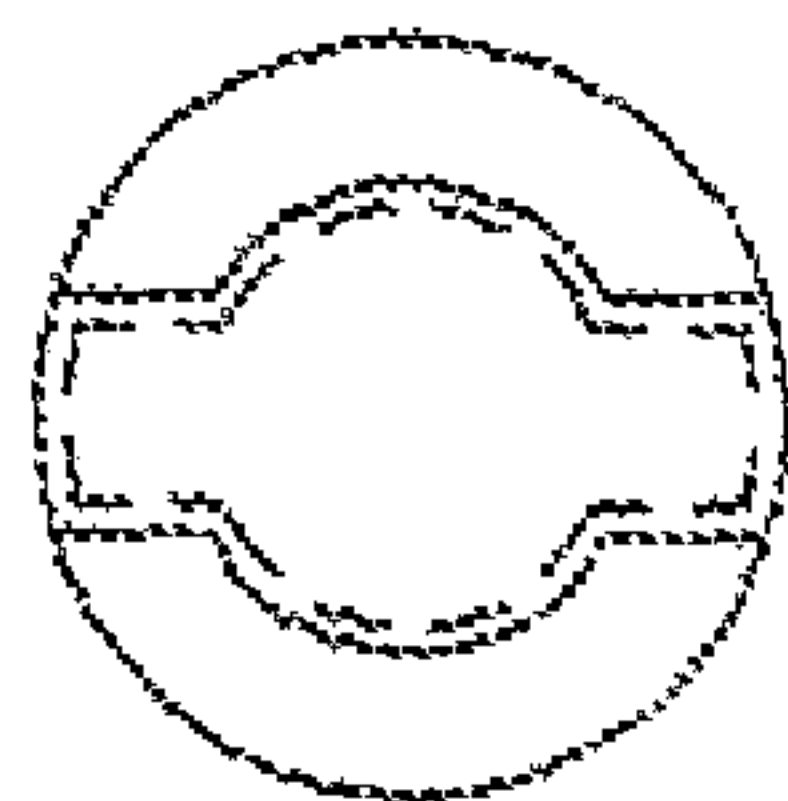


Figure 4

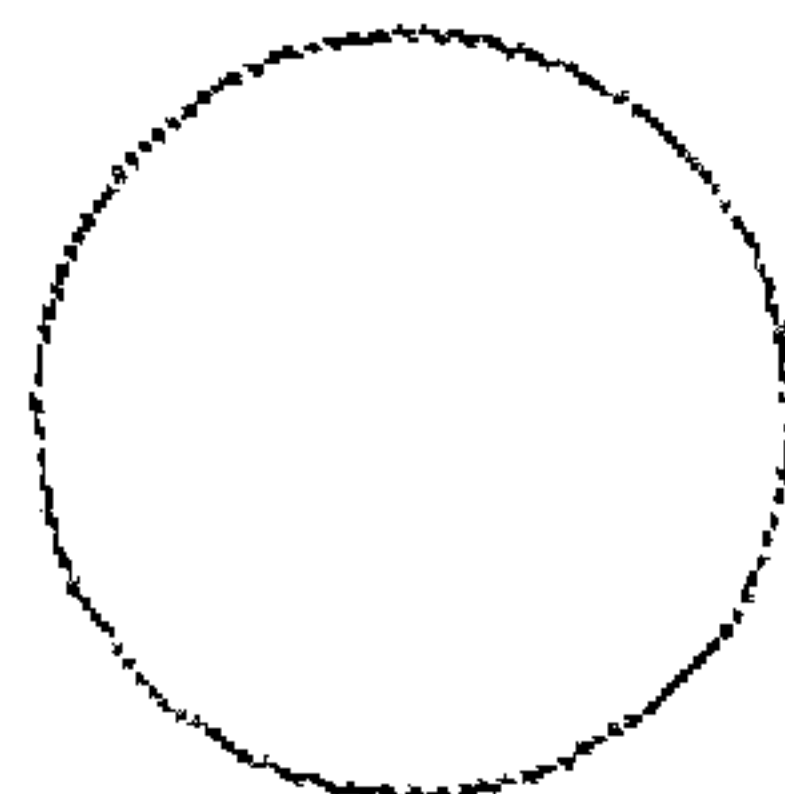


Figure 5

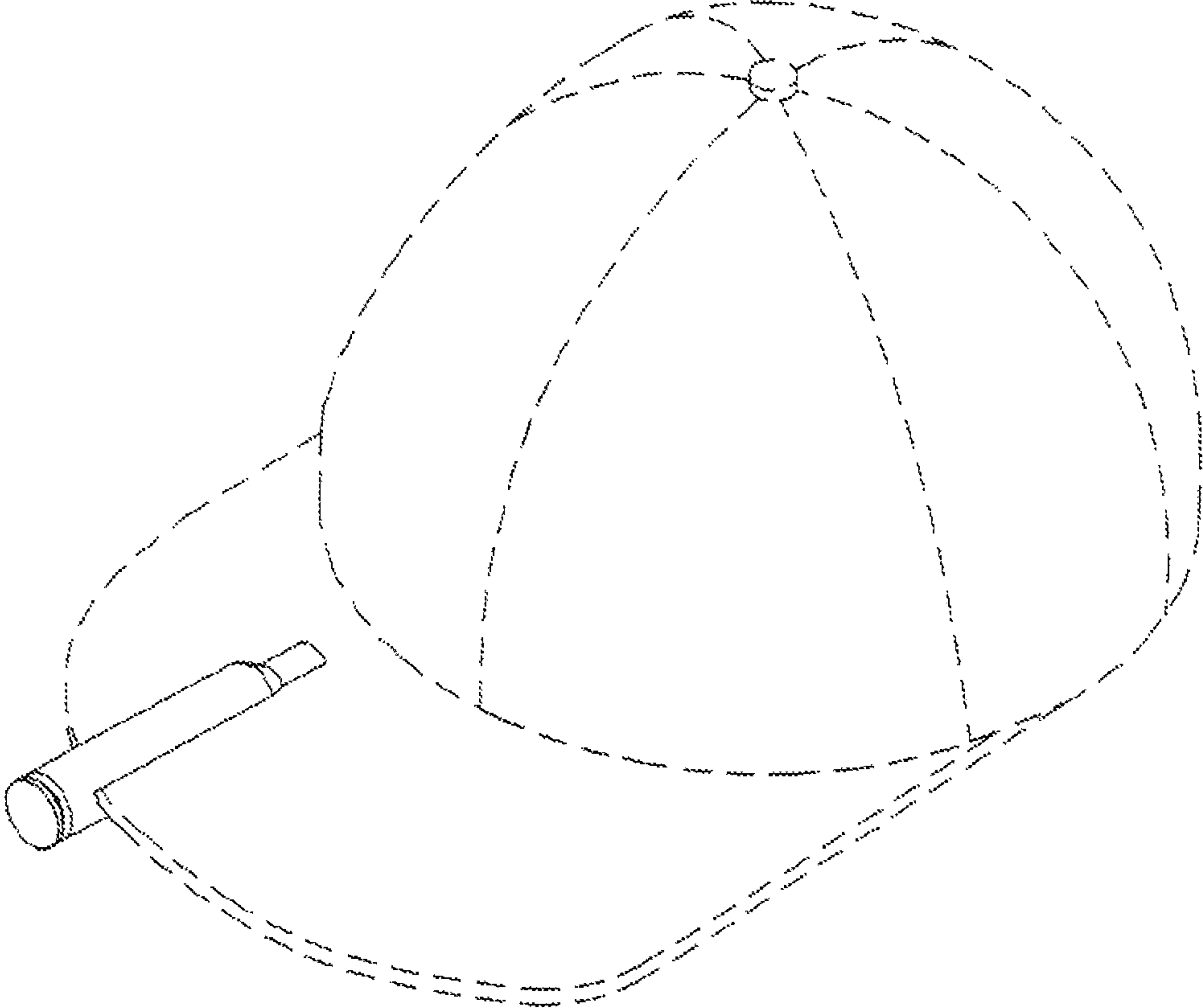


Figure 6