



US00D623832S

(12) **United States Design Patent**
Sarantapoulas

(10) **Patent No.:** **US D623,832 S**

(45) **Date of Patent:** **** Sep. 21, 2010**

(54) **BALL CAP WITH RACE CAR SPOILER**

(76) Inventor: **Dennis Sarantapoulas**, P.O. Box 95,
Dillon Beach, CA (US) 94929-0095

(**) Term: **14 Years**

(21) Appl. No.: **29/349,464**

(22) Filed: **Apr. 6, 2010**

(51) **LOC (9) Cl.** **02-03**

(52) **U.S. Cl.** **D2/891**

(58) **Field of Classification Search** D2/865,
D2/866, 868, 869, 870, 871, 872, 873, 875,
D2/876, 877, 878, 879, 882, 883, 884, 886,
D2/888, 891, 895; D12/181; 2/171, 175.1,
2/195.1, 195.2, 195.4, 183, 184, 184.5, 209.12,
2/209.13

See application file for complete search history.

(56) **References Cited**

U.S. PATENT DOCUMENTS

D282,980 S	3/1986	Hayton	
D294,877 S	3/1988	Burley	
D386,586 S *	11/1997	Jensen	D2/866
D406,190 S	3/1999	Hagerty	
D412,773 S	8/1999	Zak et al.	
D419,752 S	2/2000	Hathaway	
6,311,331 B1 *	11/2001	Park	2/195.1
6,421,838 B1 *	7/2002	Frank	2/195.3
D477,127 S *	7/2003	Lamb	D2/869

D503,260 S *	3/2005	Kim	D2/865
D516,478 S *	3/2006	Kulla	D12/181
D556,428 S	12/2007	Sarantapoulas	
D567,479 S *	4/2008	Washburn	D2/866
D603,144 S *	11/2009	South	D2/882
2008/0130272 A1 *	6/2008	Waters	362/106

* cited by examiner

Primary Examiner—Elizabeth A Albert

Assistant Examiner—Karen E Eldridge Powers

(57) **CLAIM**

The ornamental design for a ball cap with race car spoiler, as shown and described.

DESCRIPTION

FIG. 1 is a perspective view showing a ball cap with race car spoiler, showing my new design;

FIG. 2 is a top plan view thereof;

FIG. 3 is a bottom plan view thereof;

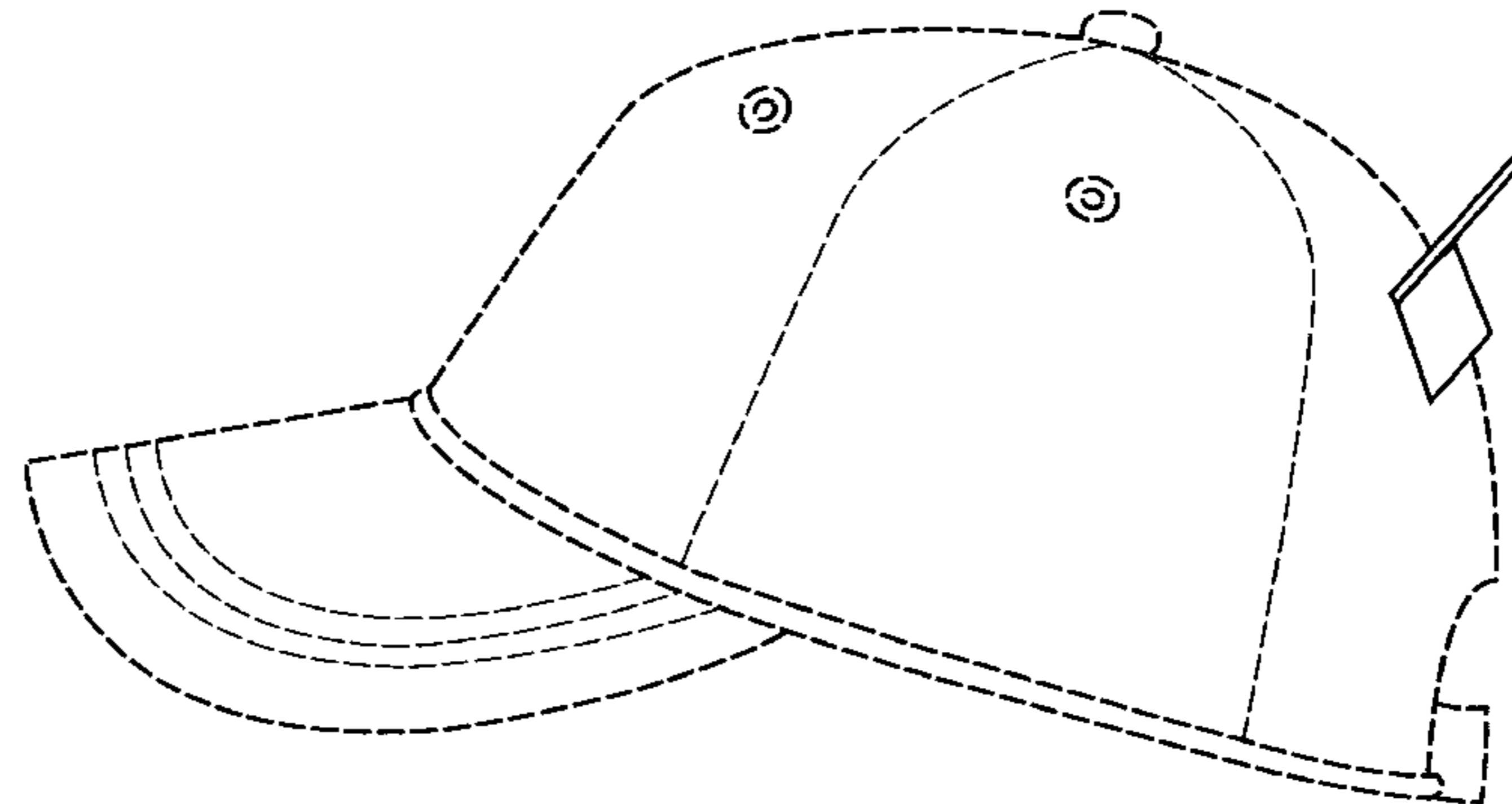
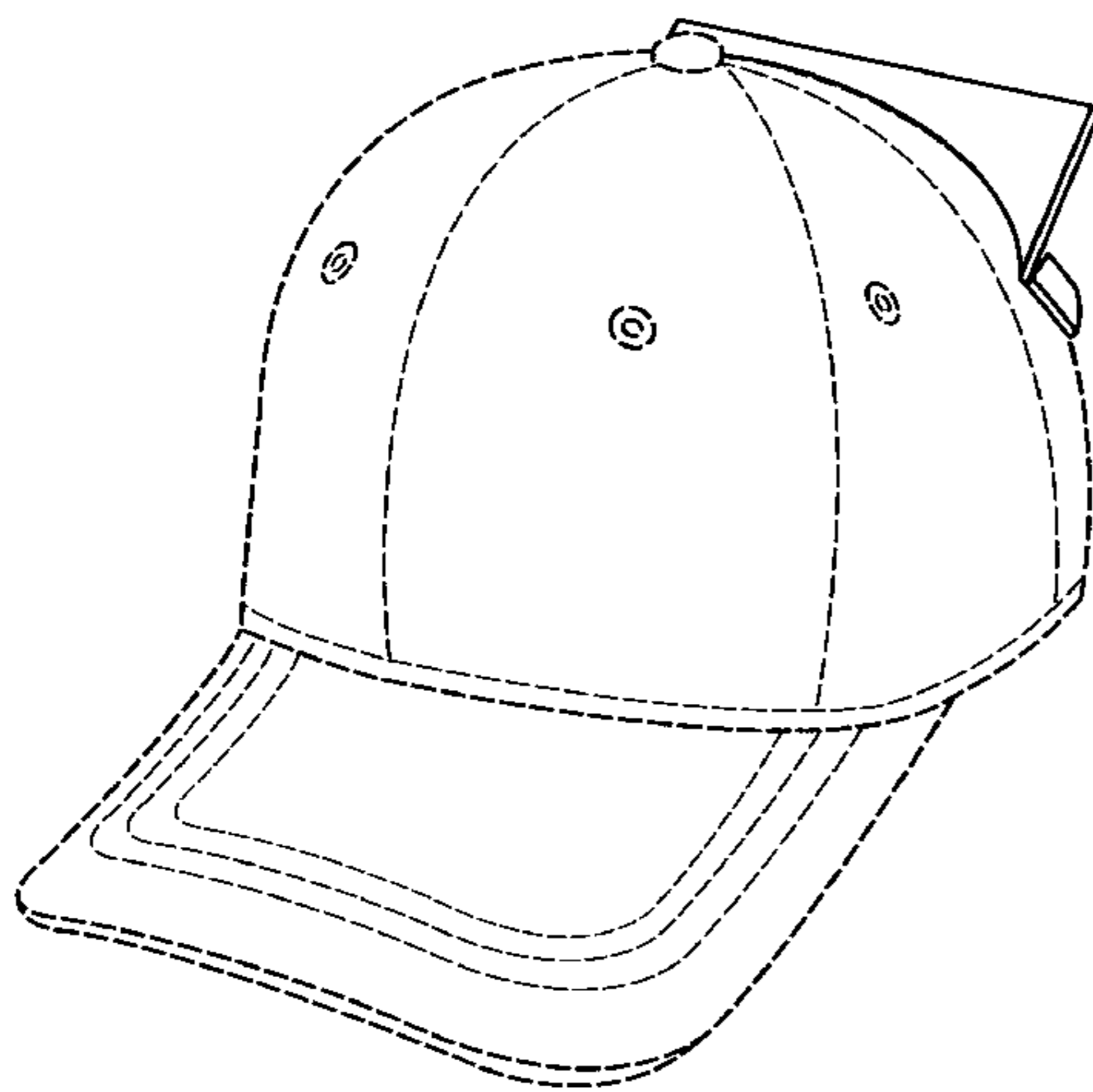
FIG. 4 is a left side elevation view thereof, the right side being a mirror image;

FIG. 5 is a front elevation view thereof; and,

FIG. 6 is a rear elevation view thereof.

The broken line showing of the ball cap in all views is for illustrative purposes only and forms no part of the claimed design.

1 Claim, 3 Drawing Sheets



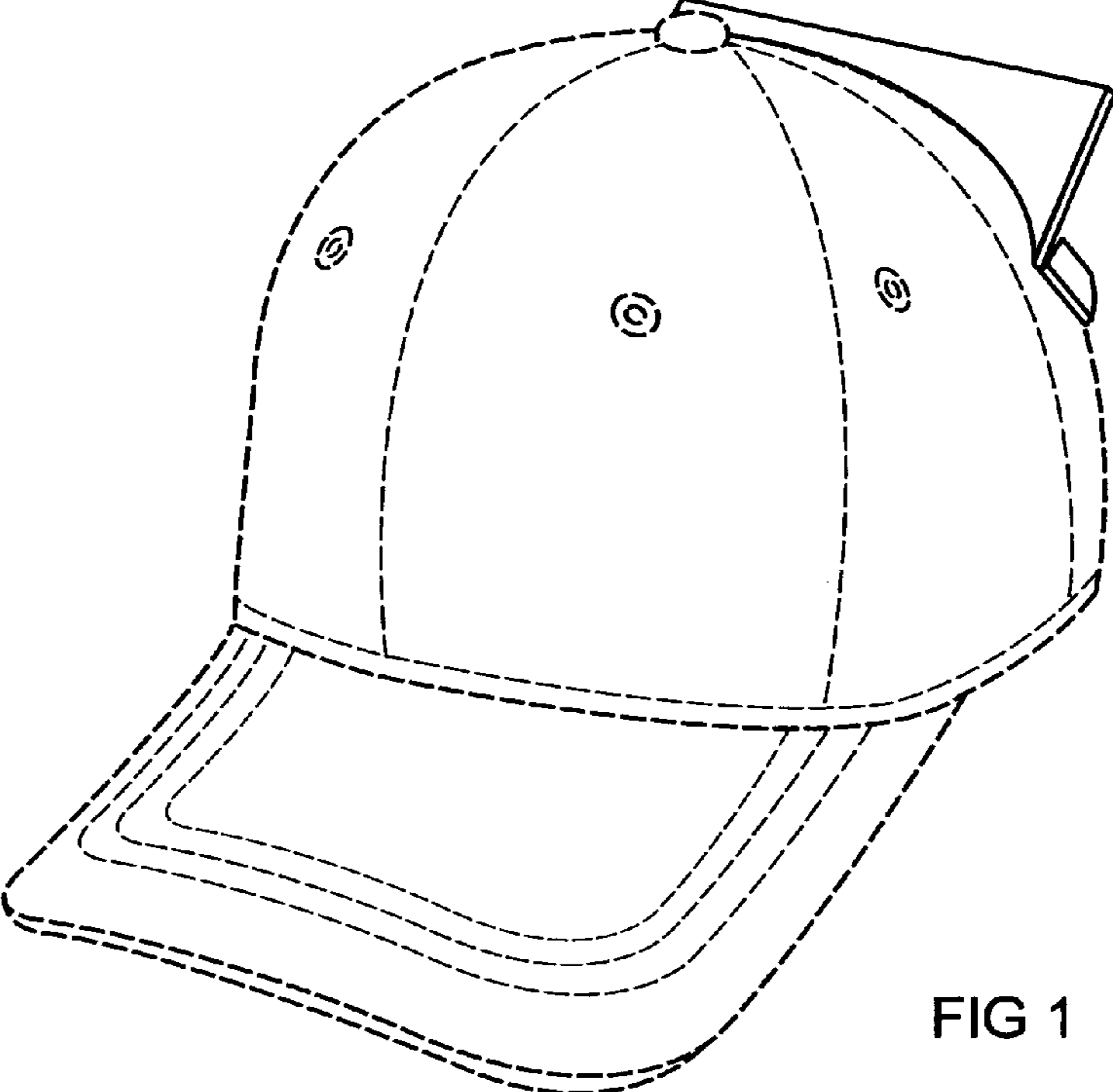


FIG 1

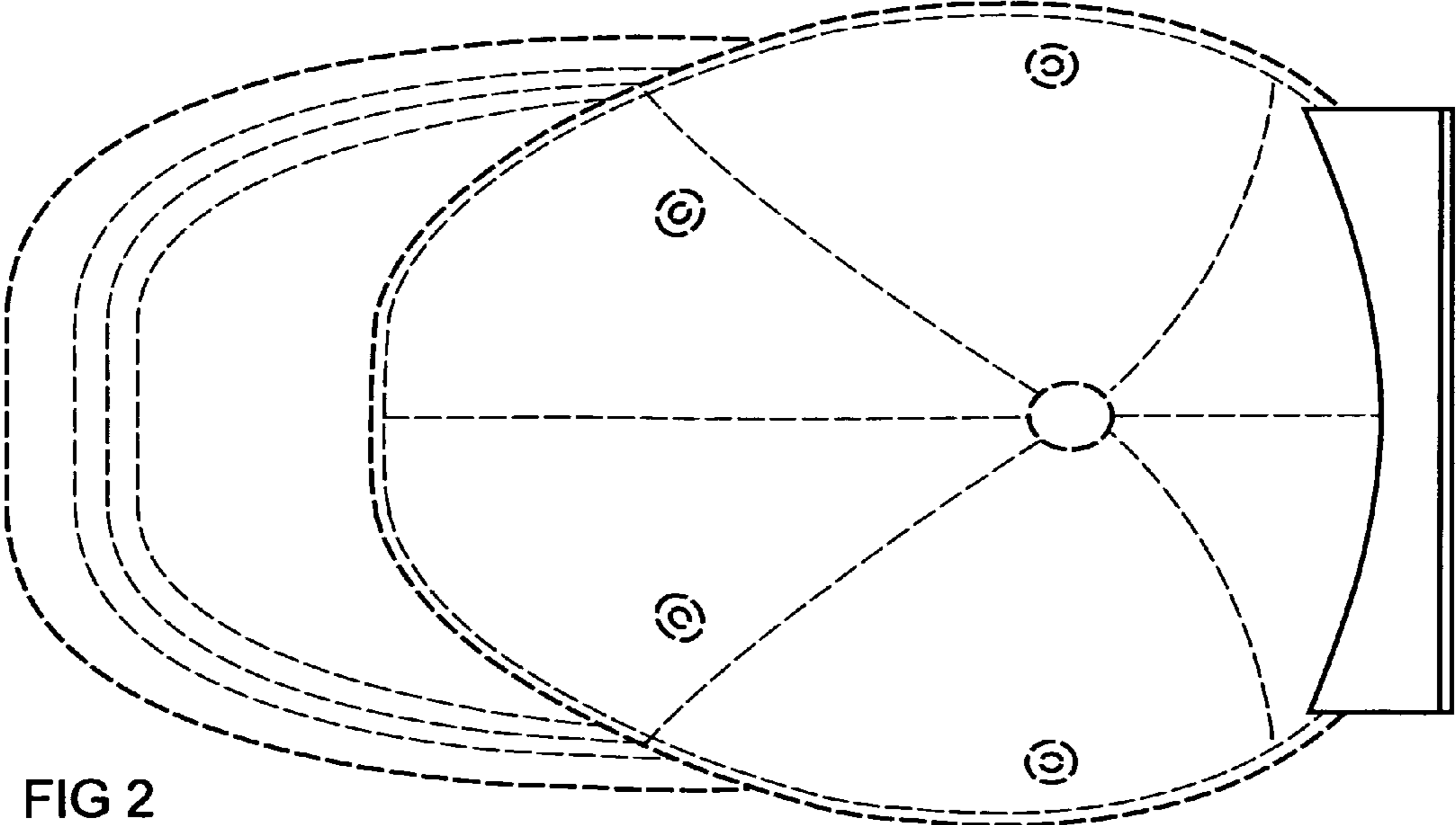


FIG 2

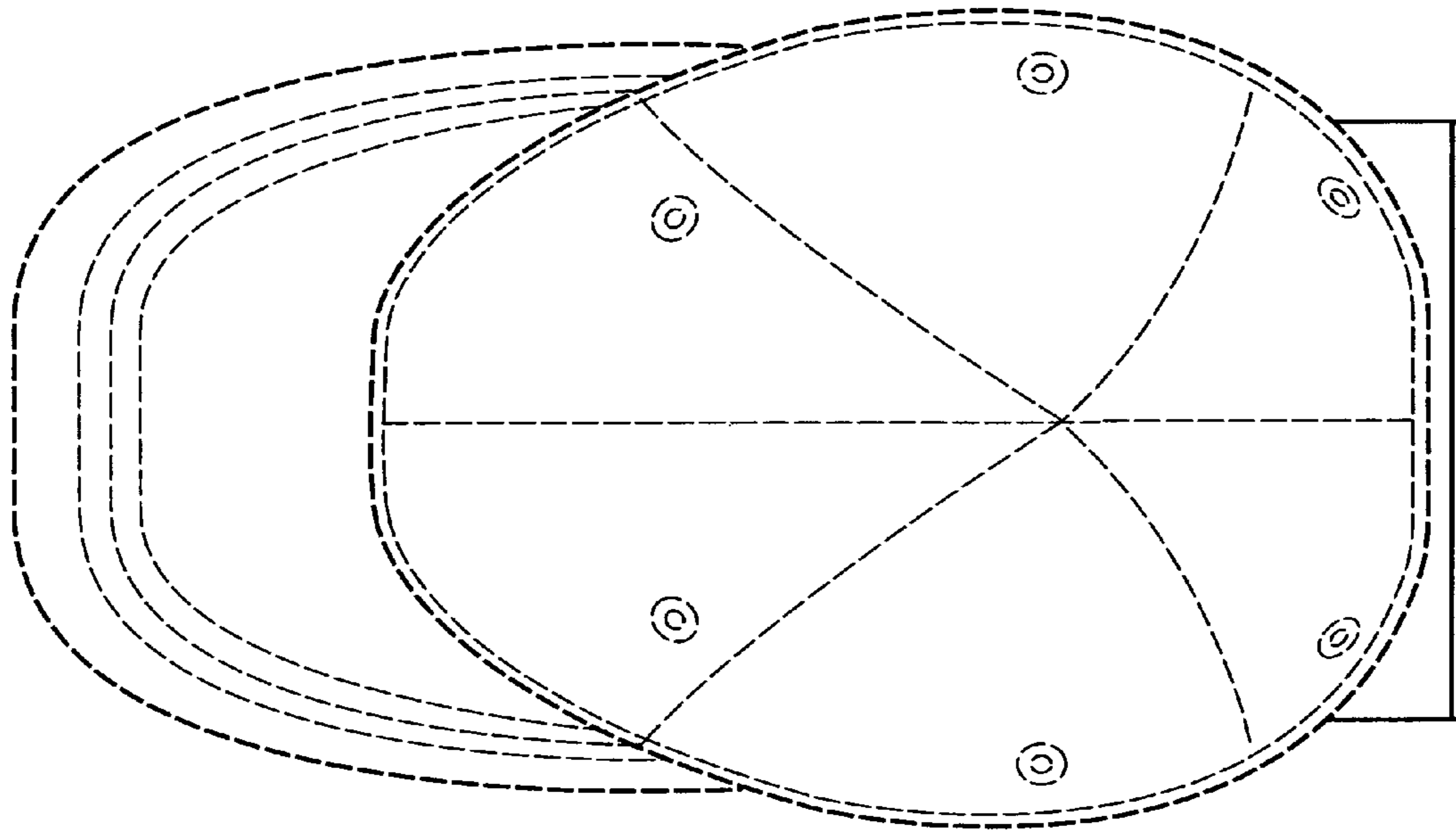


FIG 3

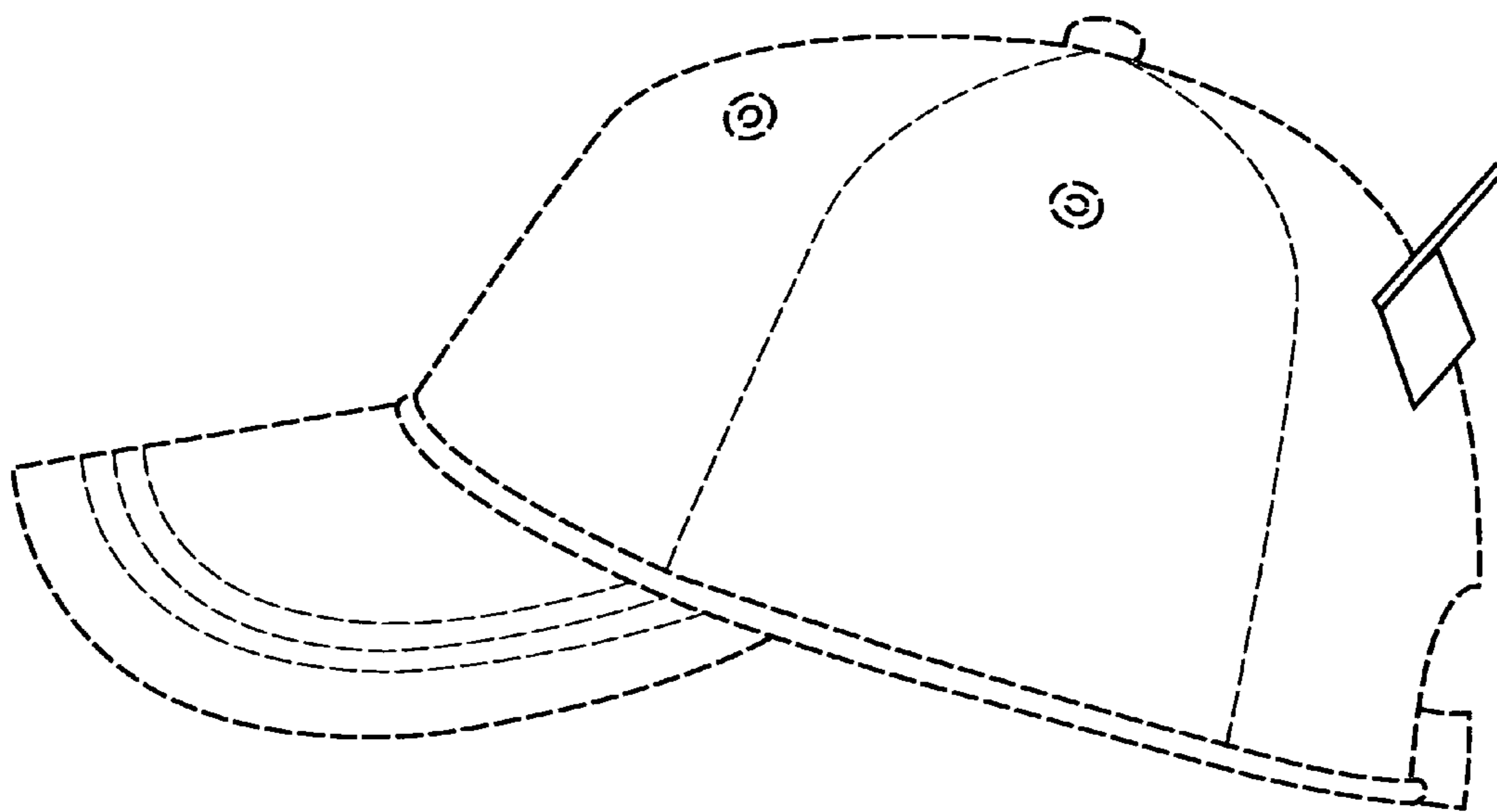


FIG 4

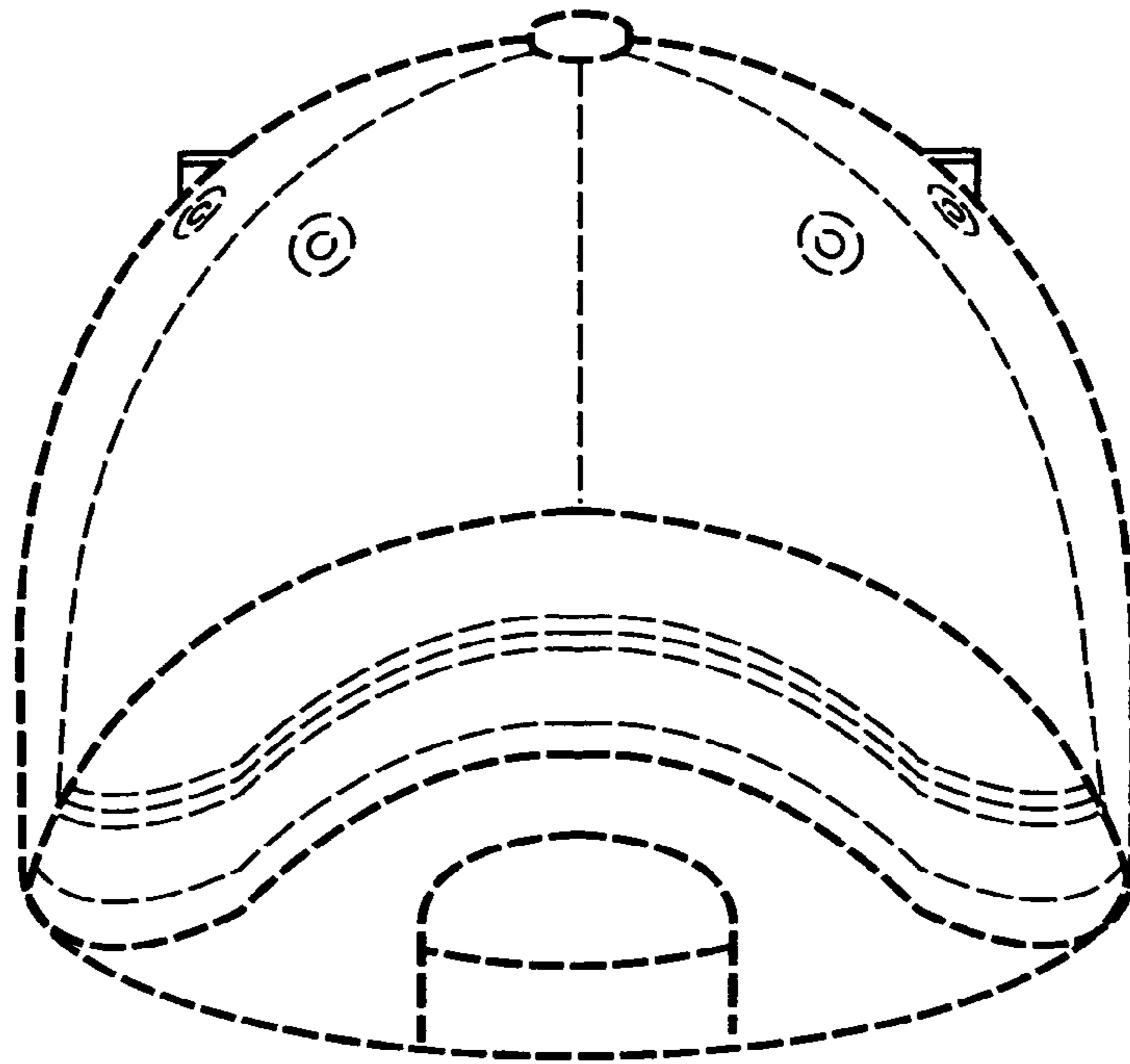


FIG 5

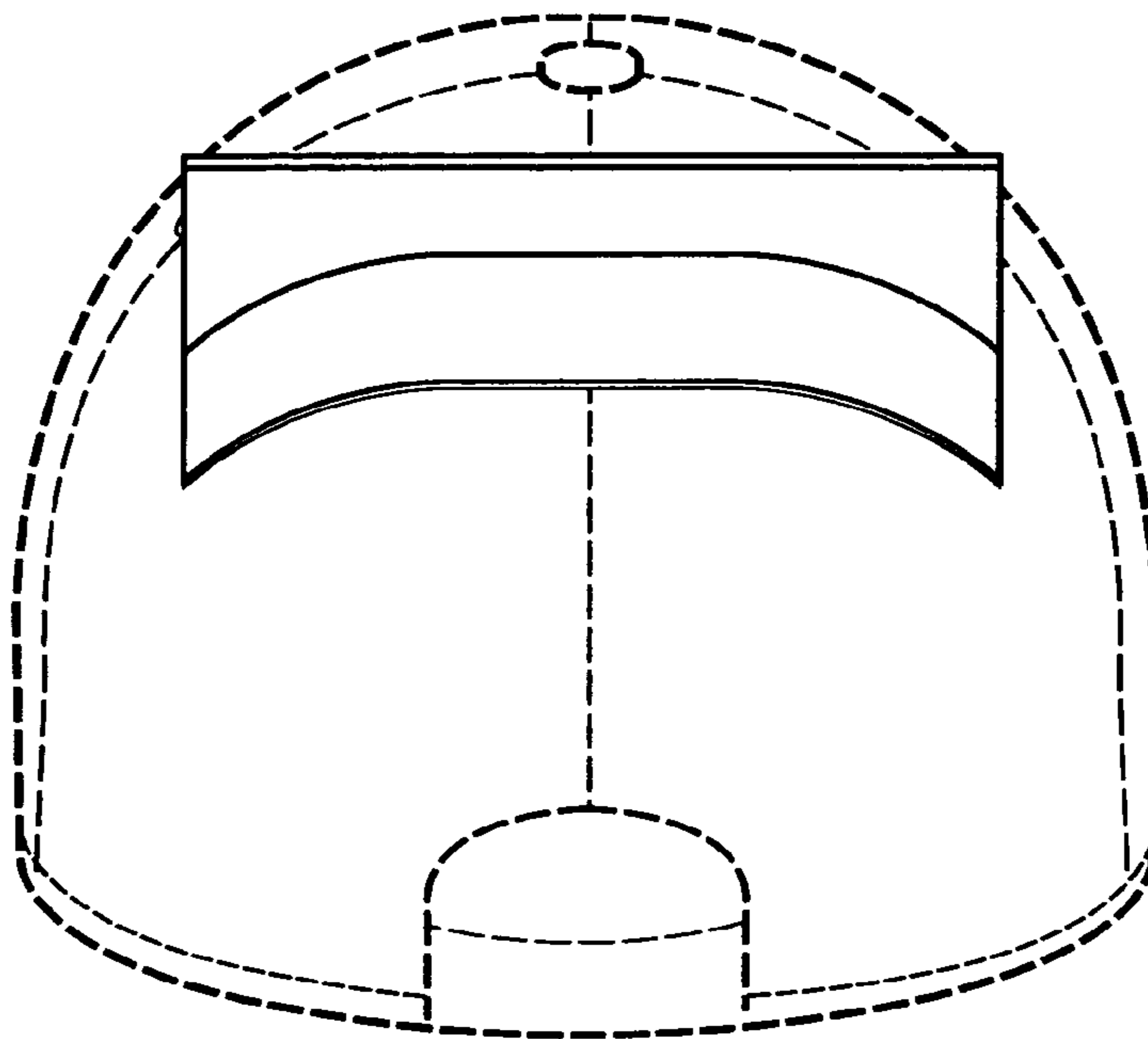


FIG 6