



US00D623825S

(12) **United States Design Patent**
Hacker

(10) **Patent No.:** **US D623,825 S**

(45) **Date of Patent:** **** Sep. 14, 2010**

(54) **RECEPTACLE FOR COINS AND TOKENS**

(74) *Attorney, Agent, or Firm*—Christie, Parker & Hale, LLP

(76) **Inventor:** **Marshall Hacker**, 953 Kenfield Ave.,
Los Angeles, CA (US) 90049

(57) **CLAIM**

The ornamental design for receptacle for coins and tokens, as shown and described.

(**) **Term:** **14 Years**

(21) **Appl. No.:** **29/341,875**

(22) **Filed:** **Aug. 13, 2009**

DESCRIPTION

(51) **LOC (9) Cl.** **03-01**

FIG. 1 is a front perspective view of the design in a closed configuration;

(52) **U.S. Cl.** **D99/34**

FIG. 2 is a rear perspective view of the design in a closed configuration;

(58) **Field of Classification Search** D99/34-43,
D99/28; D11/79, 116, 265; D3/207-208;
24/16 R; 194/214; 273/148 R, 153 R, 236,
273/275, 288; 473/588-589

FIG. 3 is a front view of the design in a closed configuration;

FIG. 4 is a first side view of the design in a closed configuration;

See application file for complete search history.

FIG. 5 is a rear view of the design;

FIG. 6 is a second side view of the design in a closed configuration;

(56) **References Cited**

U.S. PATENT DOCUMENTS

D262,749 S *	1/1982	Taivalvuo	D99/34
D390,330 S *	2/1998	Skaya	D99/34
D471,692 S *	3/2003	Scandiuuzzi	D99/35

FIG. 7 is a top view of the design in a closed configuration;

FIG. 8 is a bottom view of the design; and,

FIG. 9 is a front perspective view of the design in an open configuration.

* cited by examiner

Primary Examiner—Lisa P Lichtenstein

1 Claim, 9 Drawing Sheets

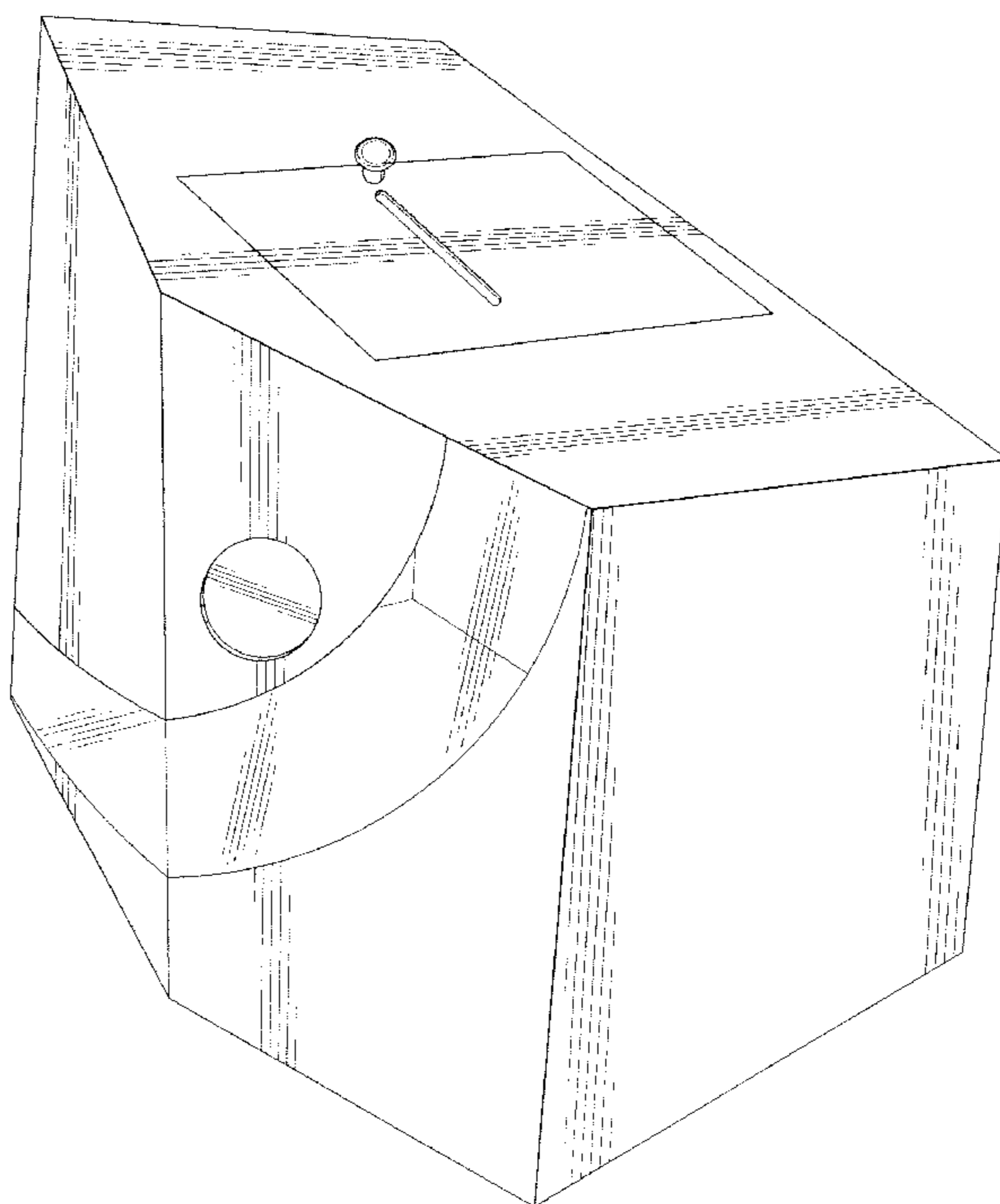
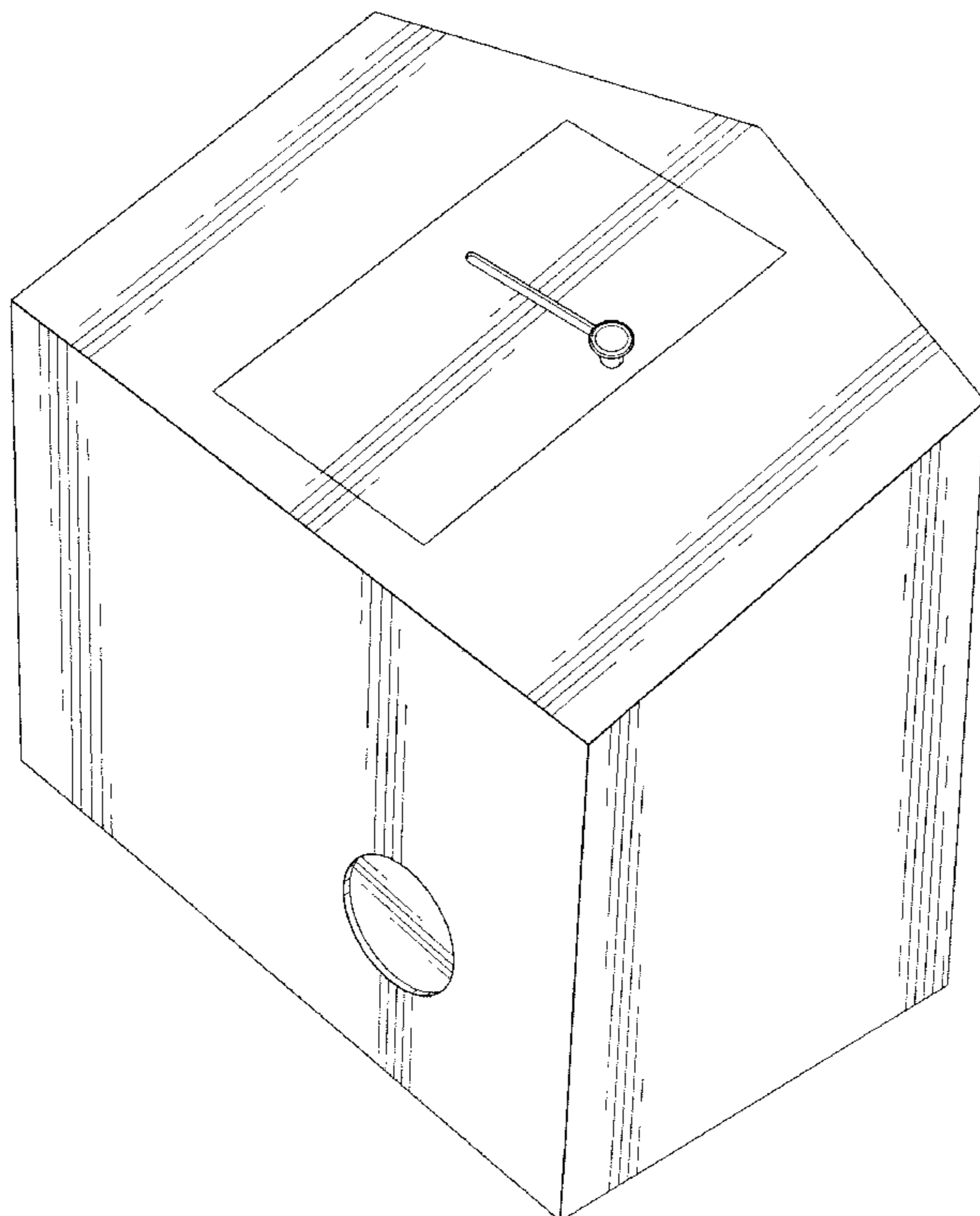


FIG. 1

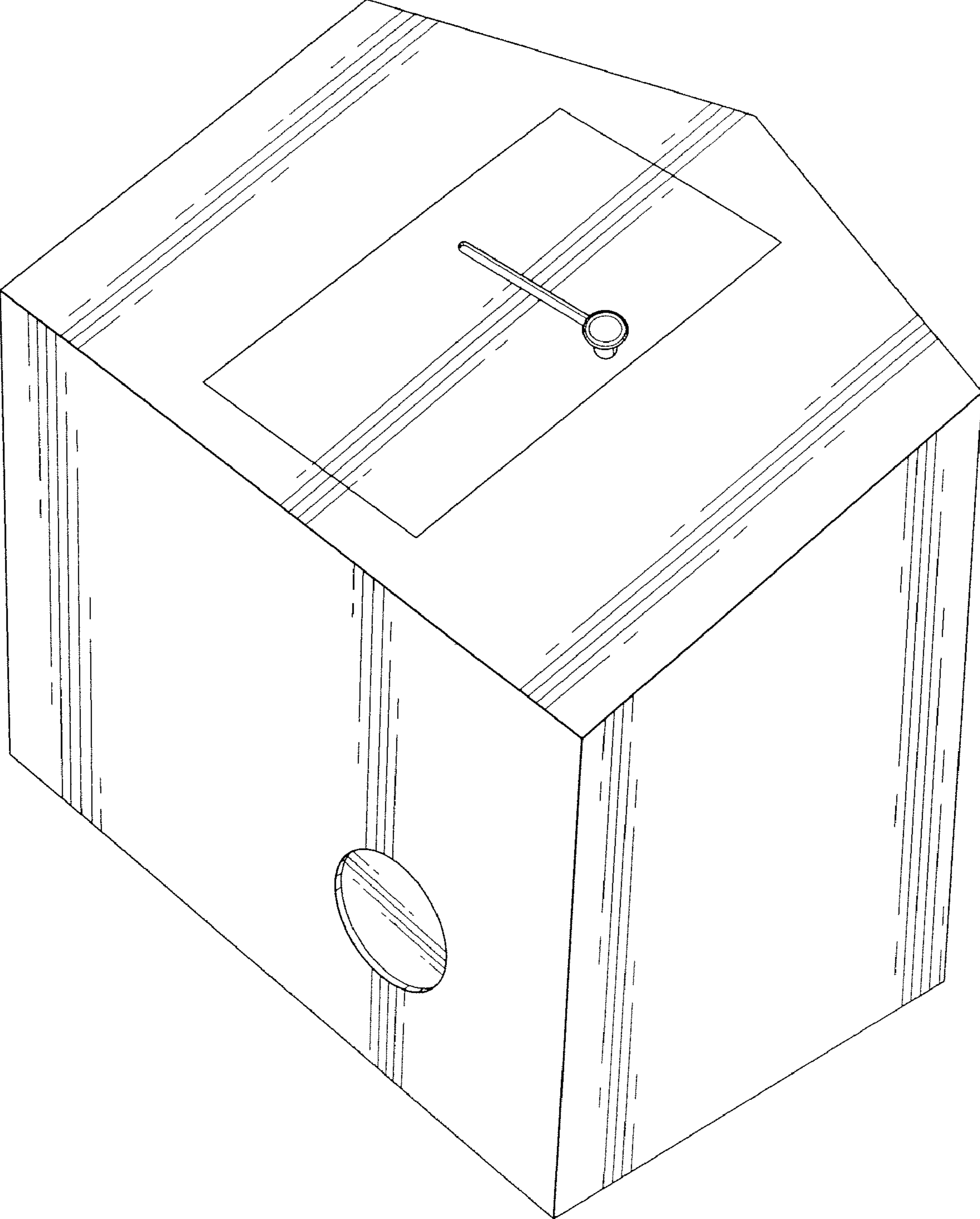


FIG. 2

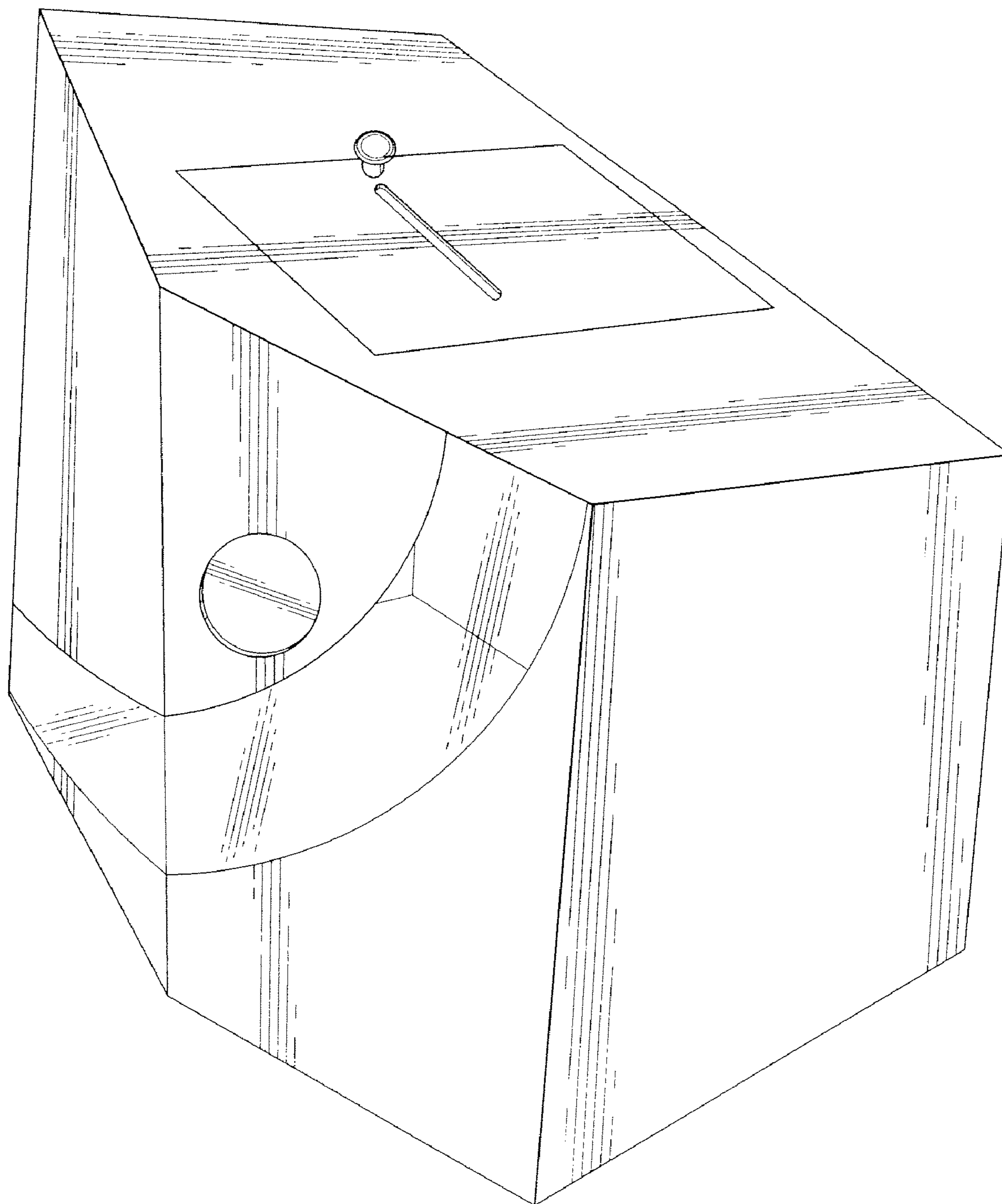


FIG. 3

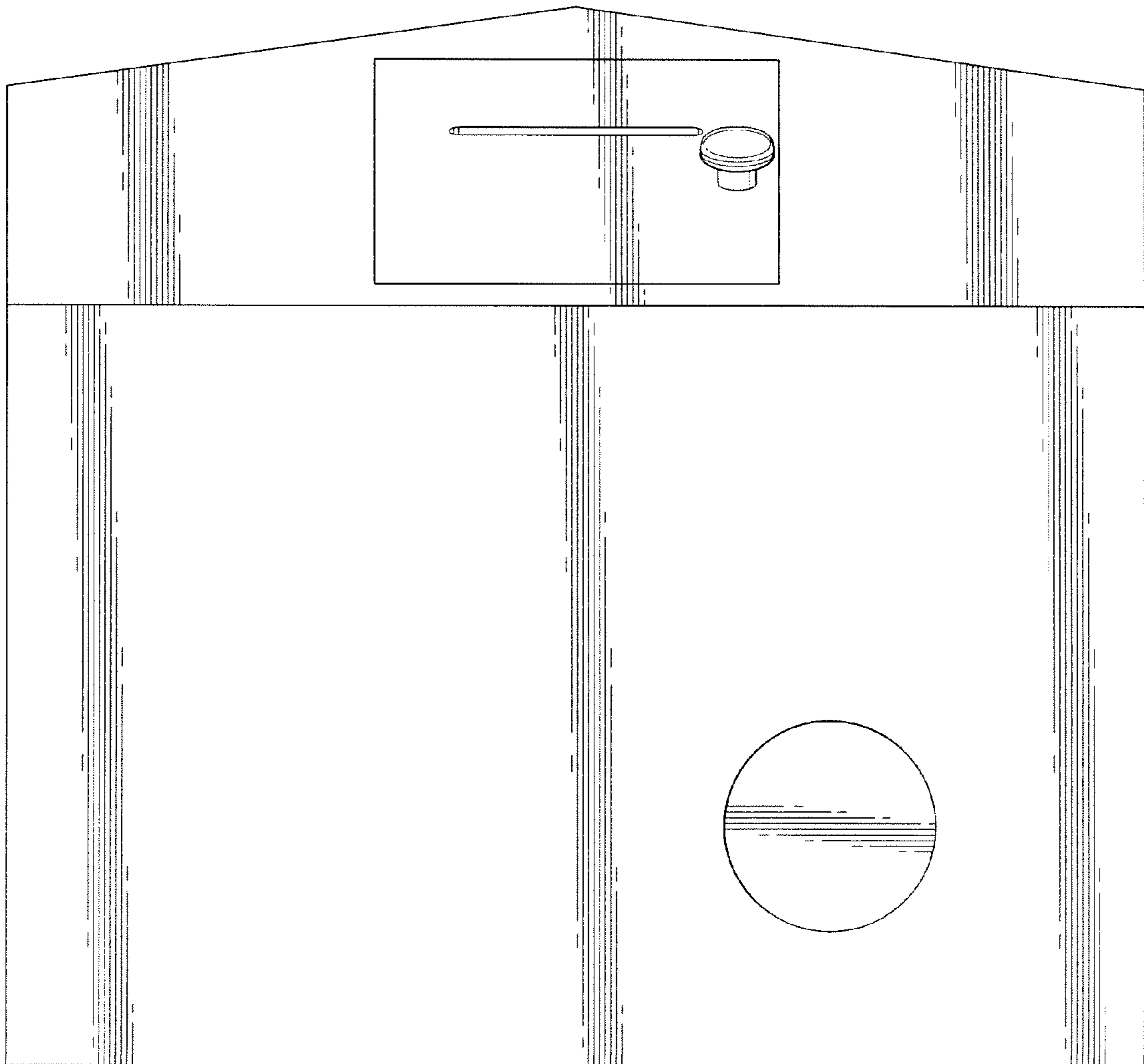


FIG. 4

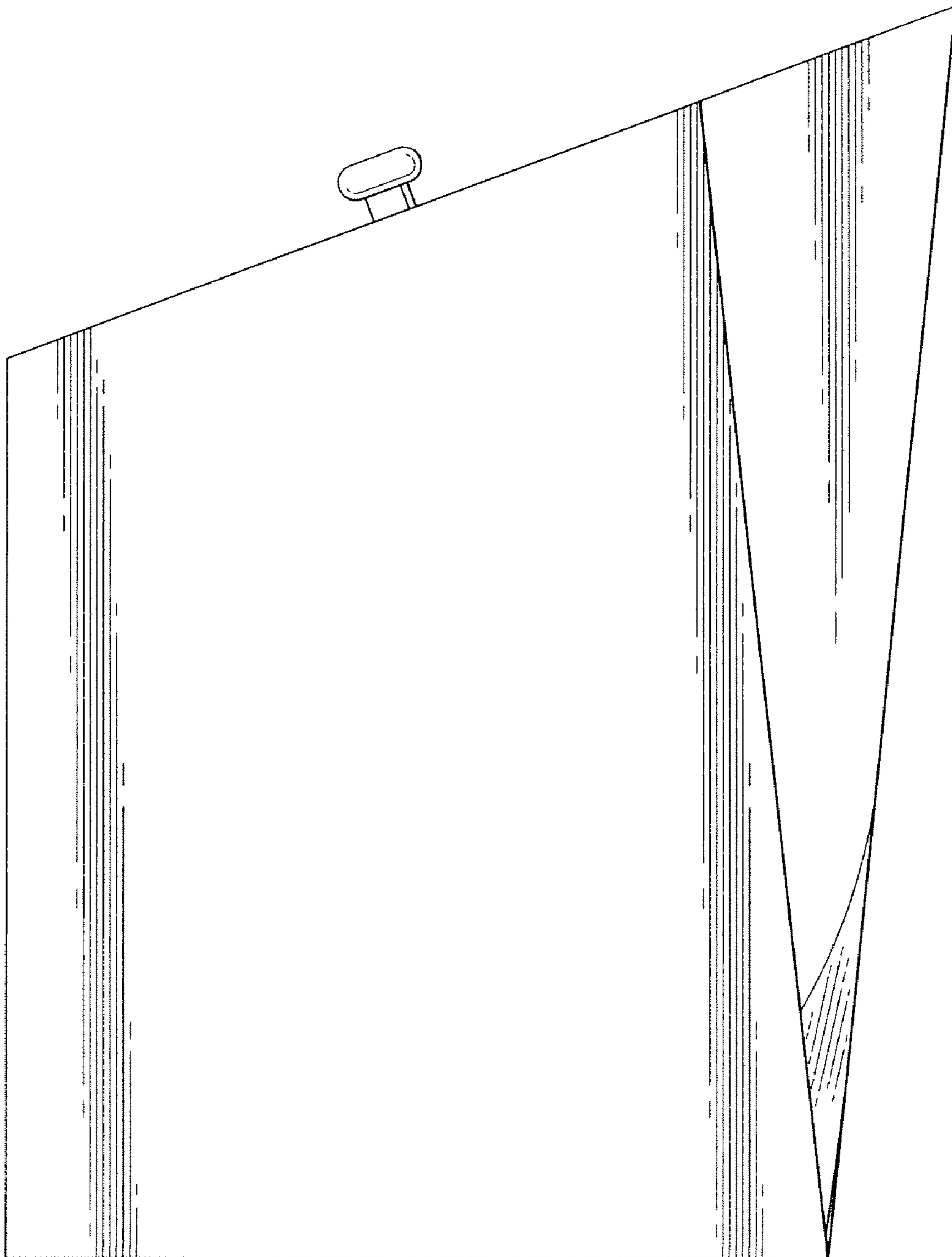


FIG. 5

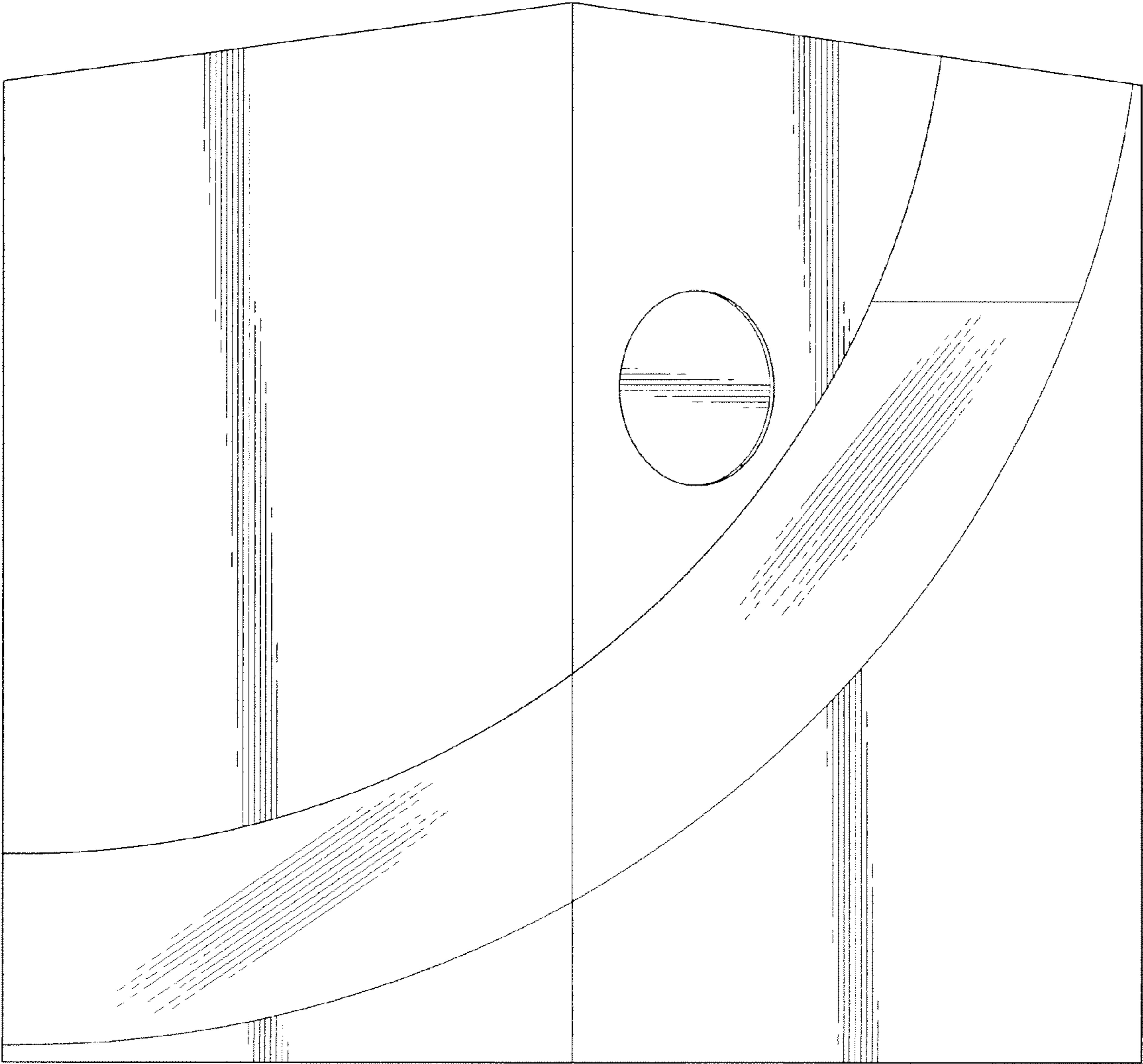


FIG. 6

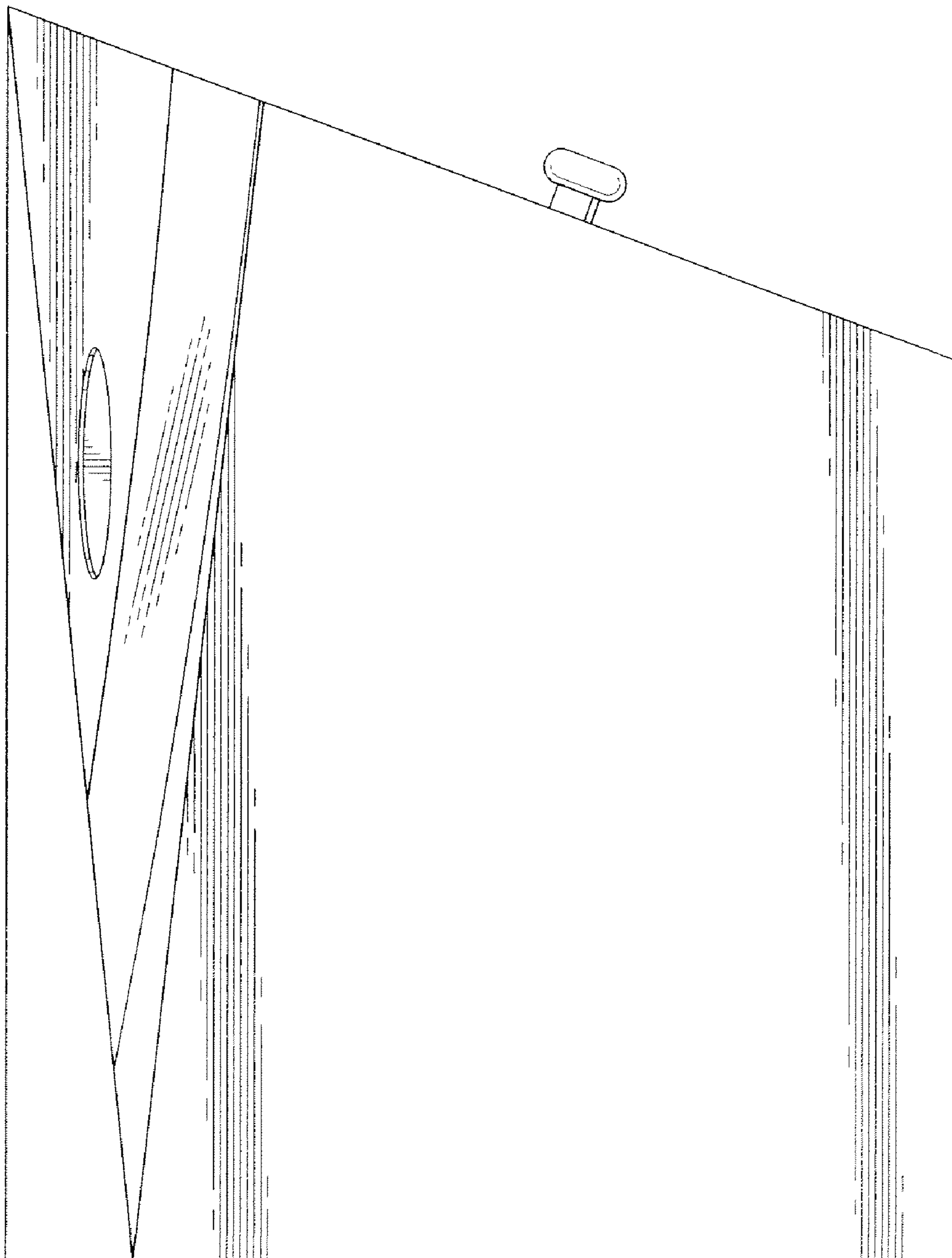


FIG. 7

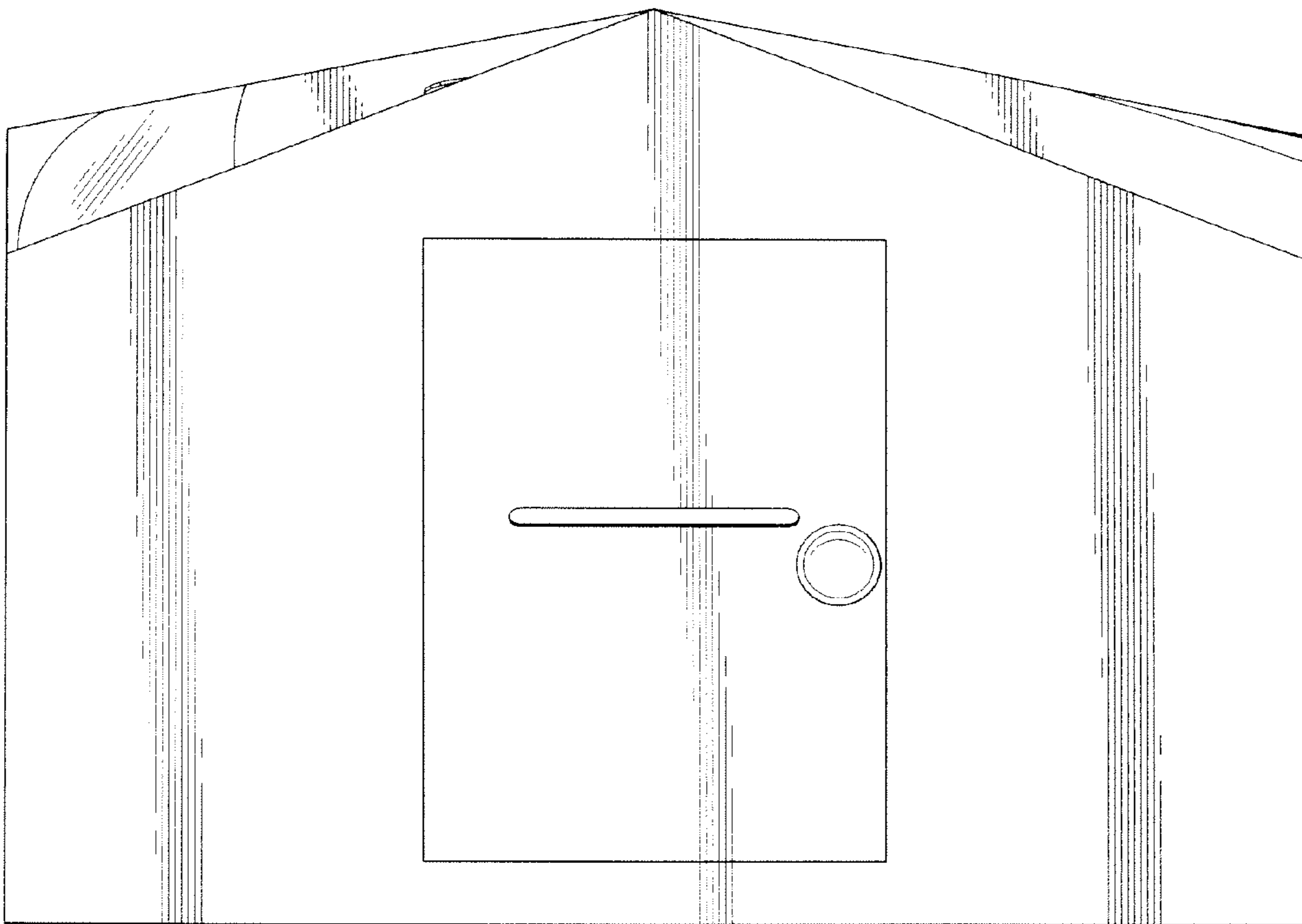
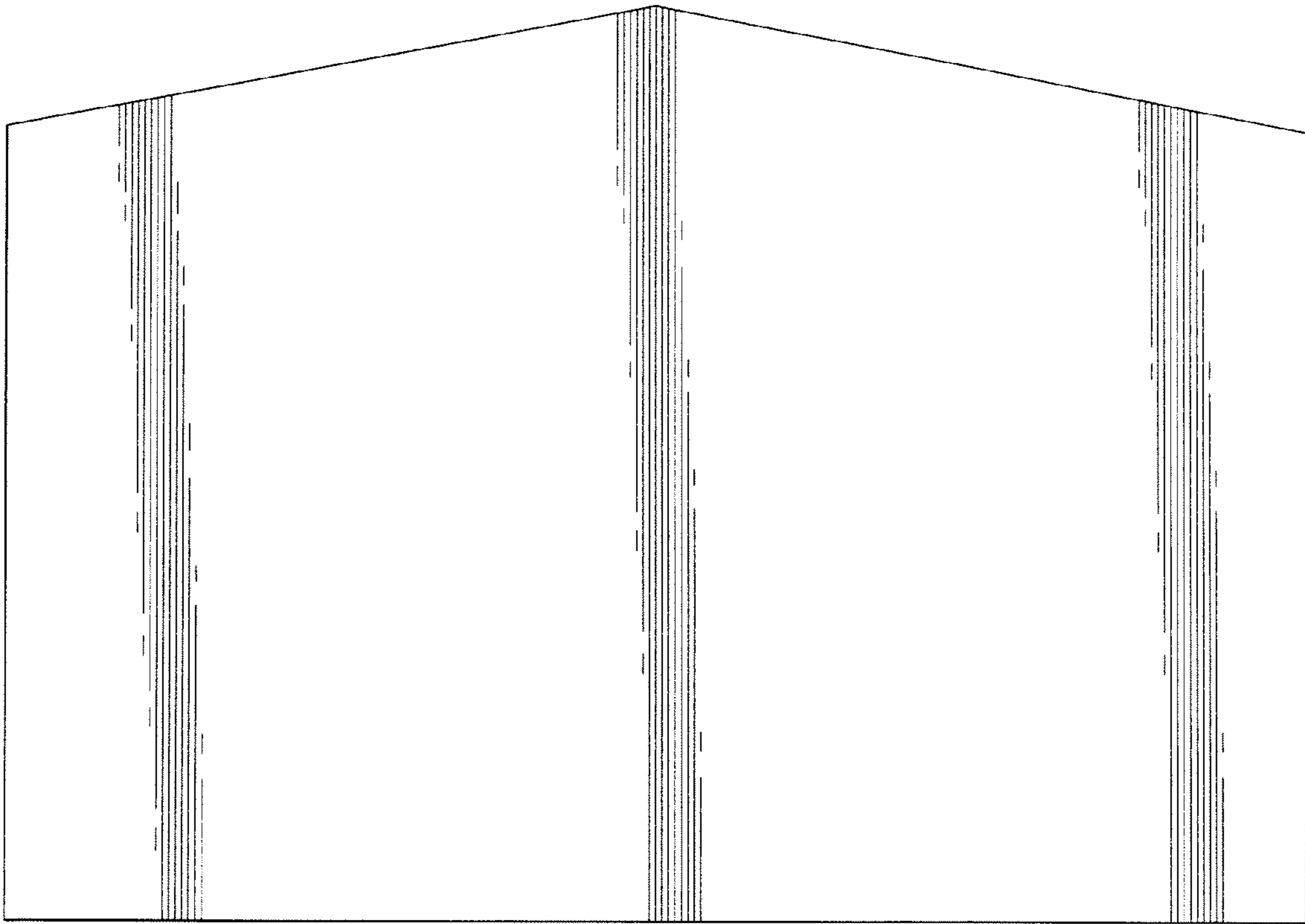


FIG. 8



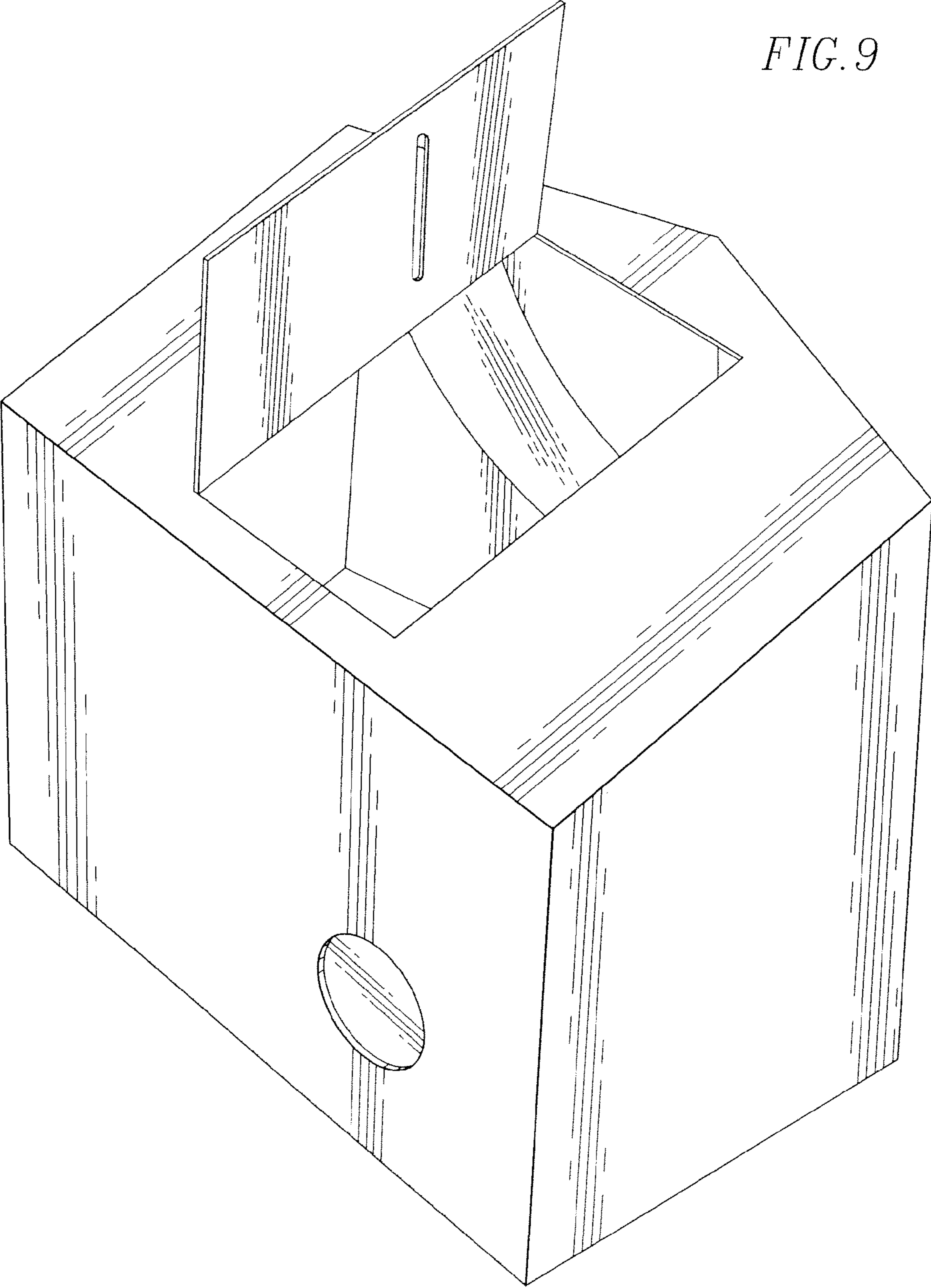


FIG. 9