



US00D623823S

(12) **United States Design Patent**
Parker

(10) **Patent No.:** **US D623,823 S**

(45) **Date of Patent:** **** Sep. 14, 2010**

(54) **CASKET SHELL CORNER**

(75) Inventor: **Daniel J. Parker**, Connerville, IN (US)

(73) Assignee: **Batesville Services, Inc.**, Batesville, IN (US)

(**) Term: **14 Years**

(21) Appl. No.: **29/359,127**

(22) Filed: **Apr. 6, 2010**

Related U.S. Application Data

(62) Division of application No. 29/342,802, filed on Sep. 1, 2009, now Pat. No. Des. 613,475, which is a division of application No. 29/325,326, filed on Sep. 29, 2008, now Pat. No. Des. 599,525.

(51) **LOC (9) Cl.** **99-00**

(52) **U.S. Cl.** **D99/13**

(58) **Field of Classification Search** D99/1-24;
27/1-8, 14, 27, 30; 52/103, 720; 40/124.5;
256/19, 22, 24, 34, 65, 67, 73; D25/38, 42,
D25/126, 129

See application file for complete search history.

(56) **References Cited**

U.S. PATENT DOCUMENTS

6,591,466 B1 * 7/2003 Acton et al. 27/10
6,928,706 B2 * 8/2005 Acton et al. 27/10

* cited by examiner

Primary Examiner—T. Chase Nelson

Assistant Examiner—Michael A Pratt

(74) *Attorney, Agent, or Firm*—Wood, Herron & Evans, LLP

(57) **CLAIM**

The ornamental design for a casket shell corner, as shown and described.

DESCRIPTION

FIG. 1 is a perspective view of a of my new, original and ornamental design for a casket shell corner;

FIG. 2 is an enlarged perspective view thereof;

FIG. 3 is a front view thereof;

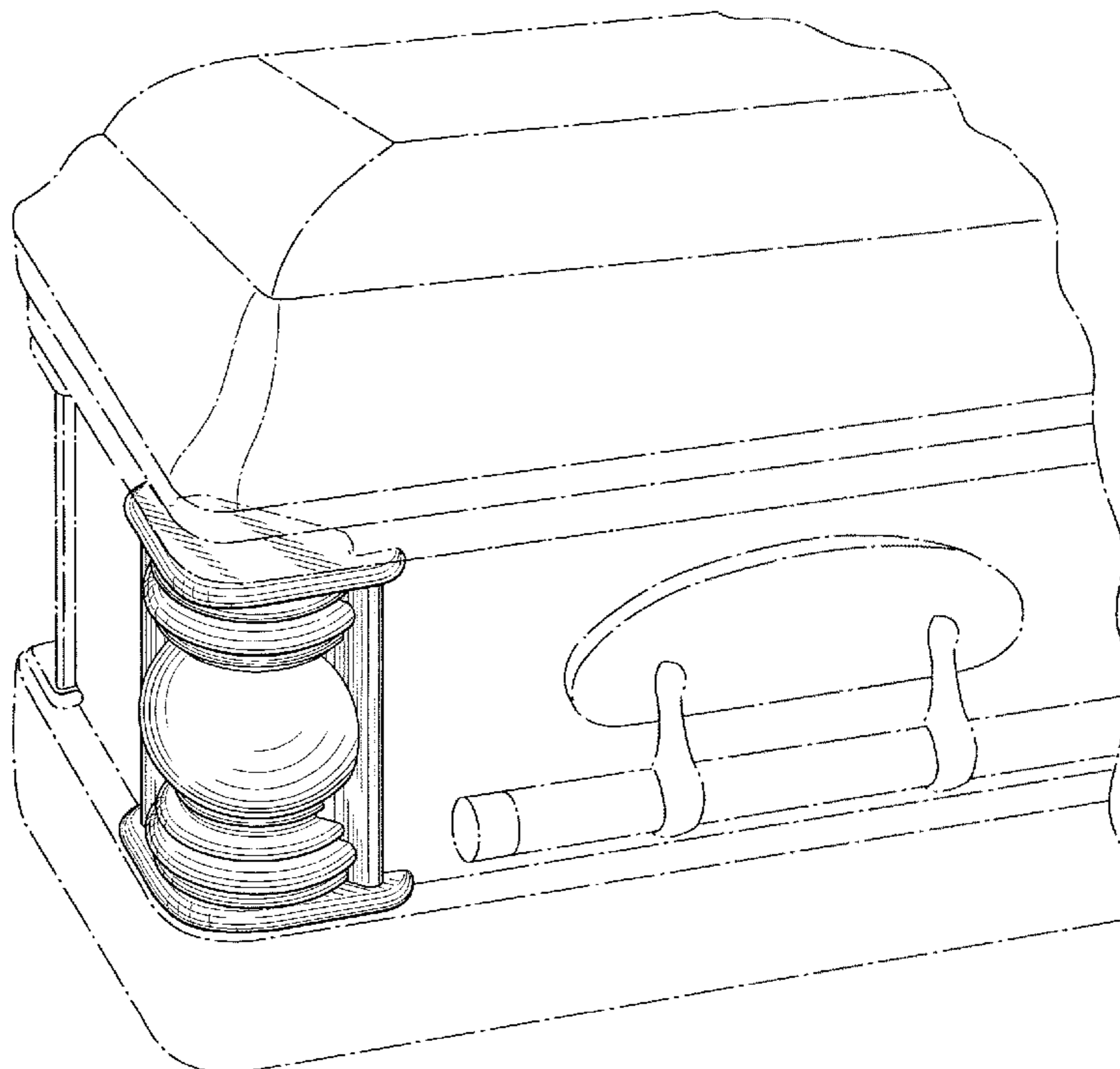
FIG. 4 is a side view thereof, the other side view being a mirror image thereof

FIG. 5 is a top view thereof; and,

FIG. 6 is a bottom view thereof.

The broken line showing of the upper flat surface of the casket shell corner shown in FIGS. 1, 2, 5 and 6 and the remainder of the casket in FIG. 1 is included for the purpose of illustrating environment and forms no part of the claimed design. The broken line adjacent to the shaded portion of the casket shell corner forms an unclaimed boundary of the design. The undisclosed portion of the casket shell corner forms no part of the claimed design.

1 Claim, 3 Drawing Sheets



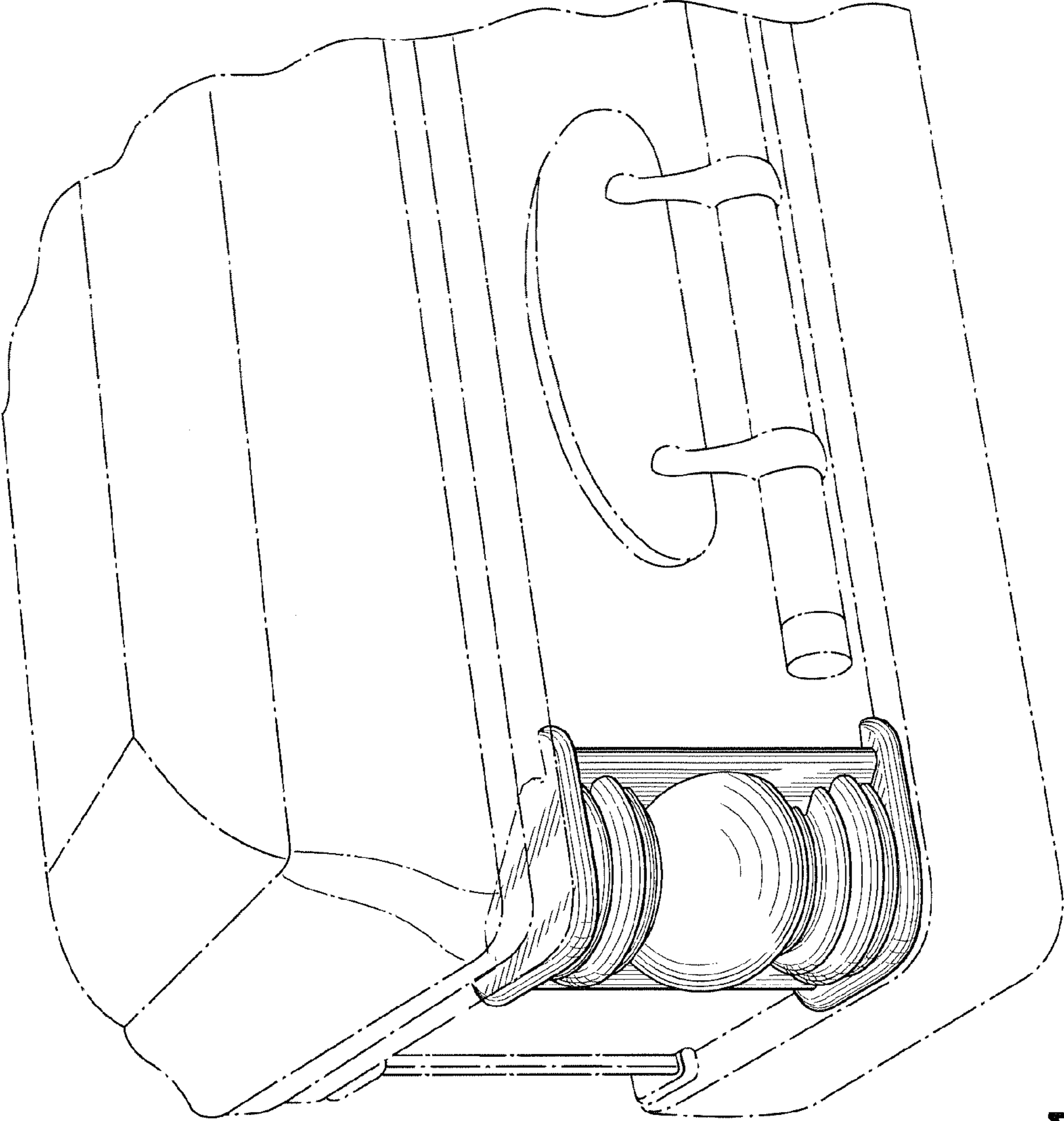


FIG. 1

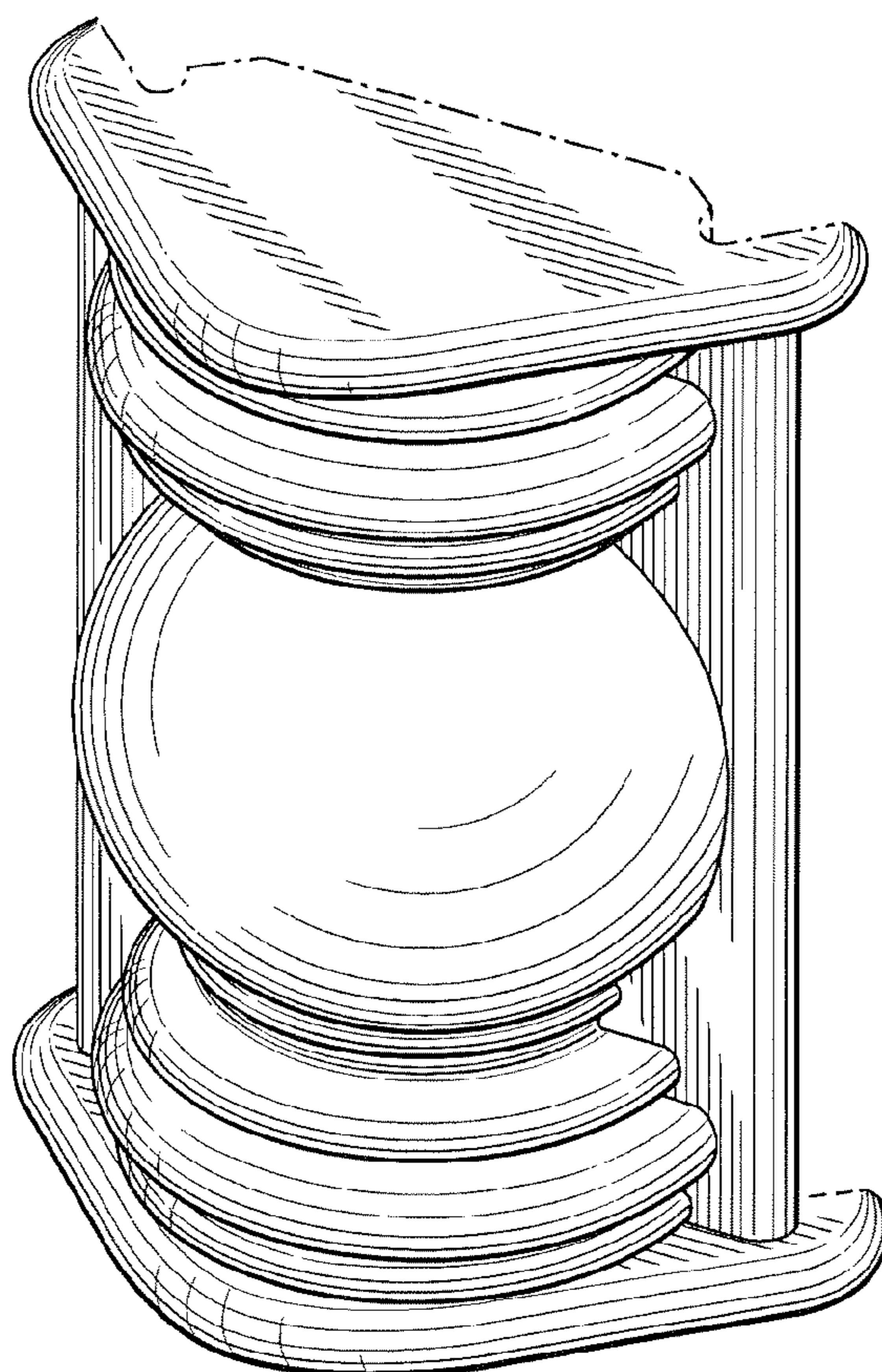


FIG. 2

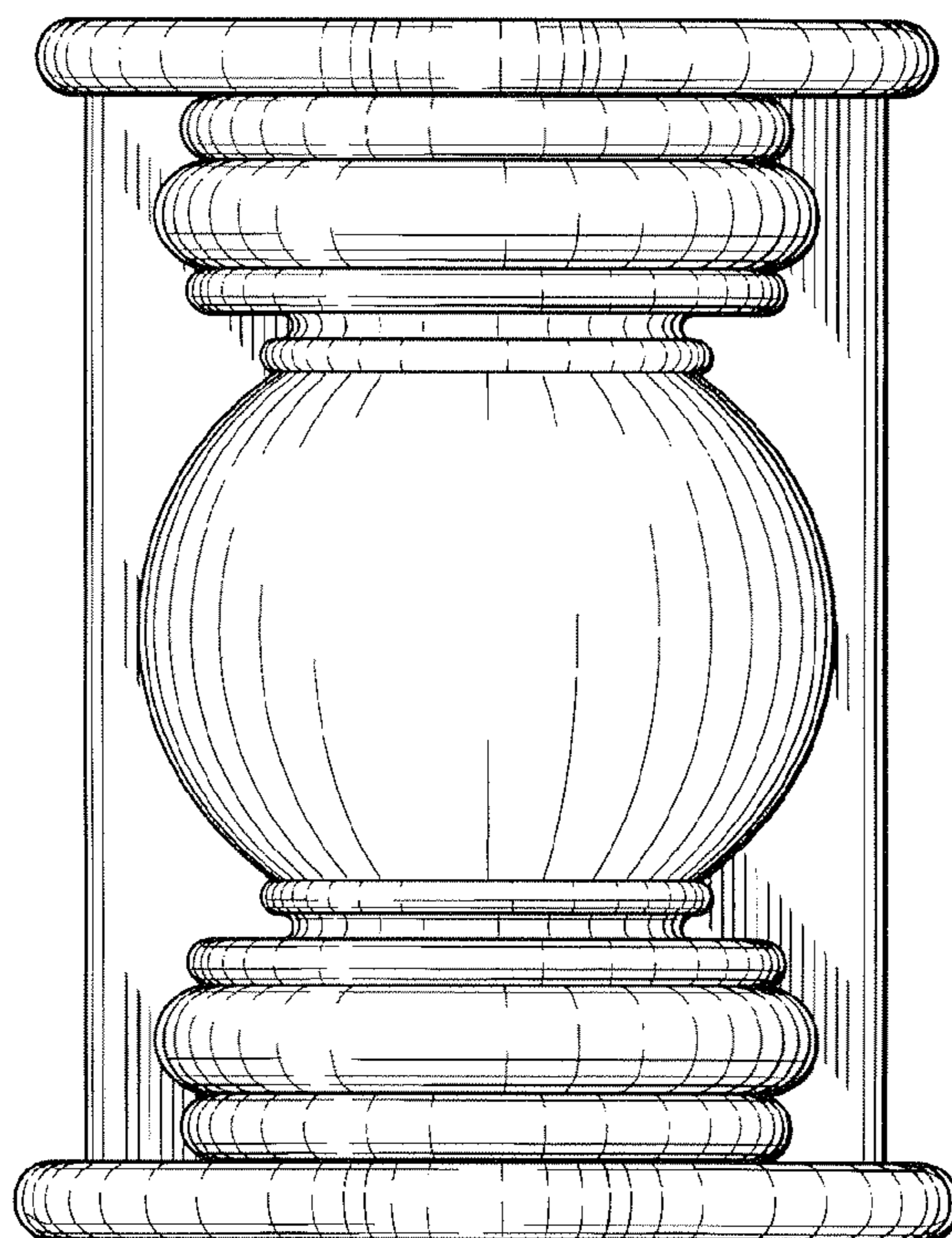


FIG. 3

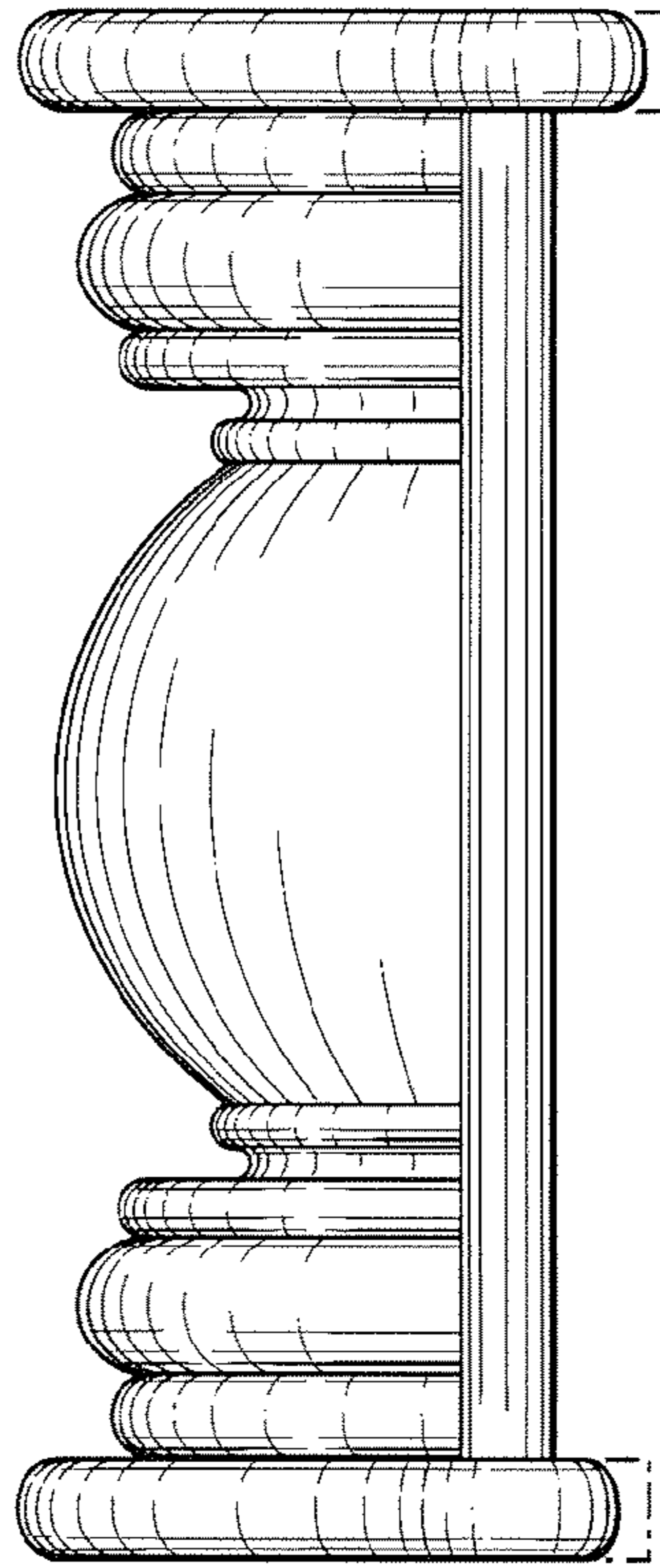


FIG. 4

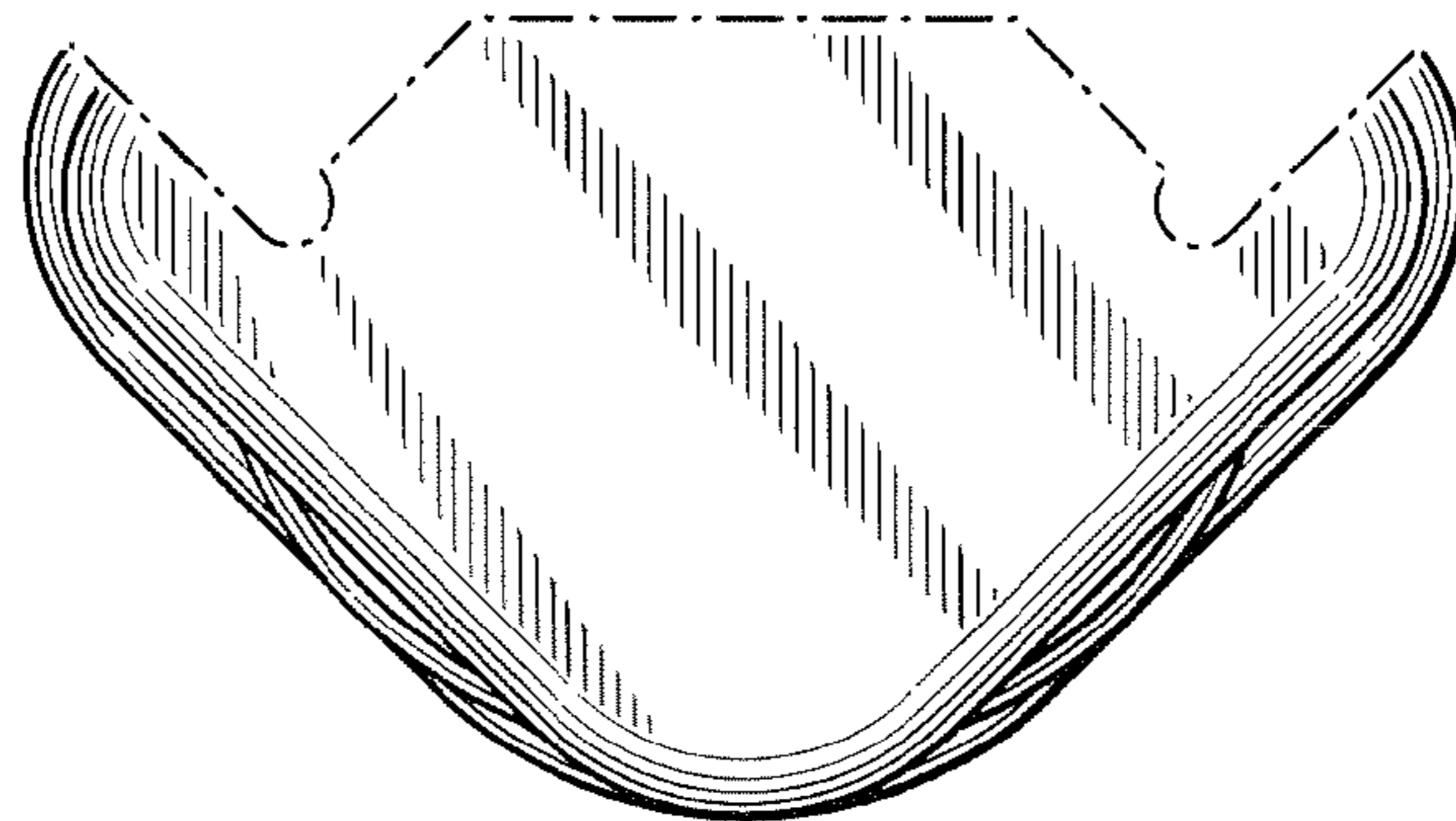


FIG. 5

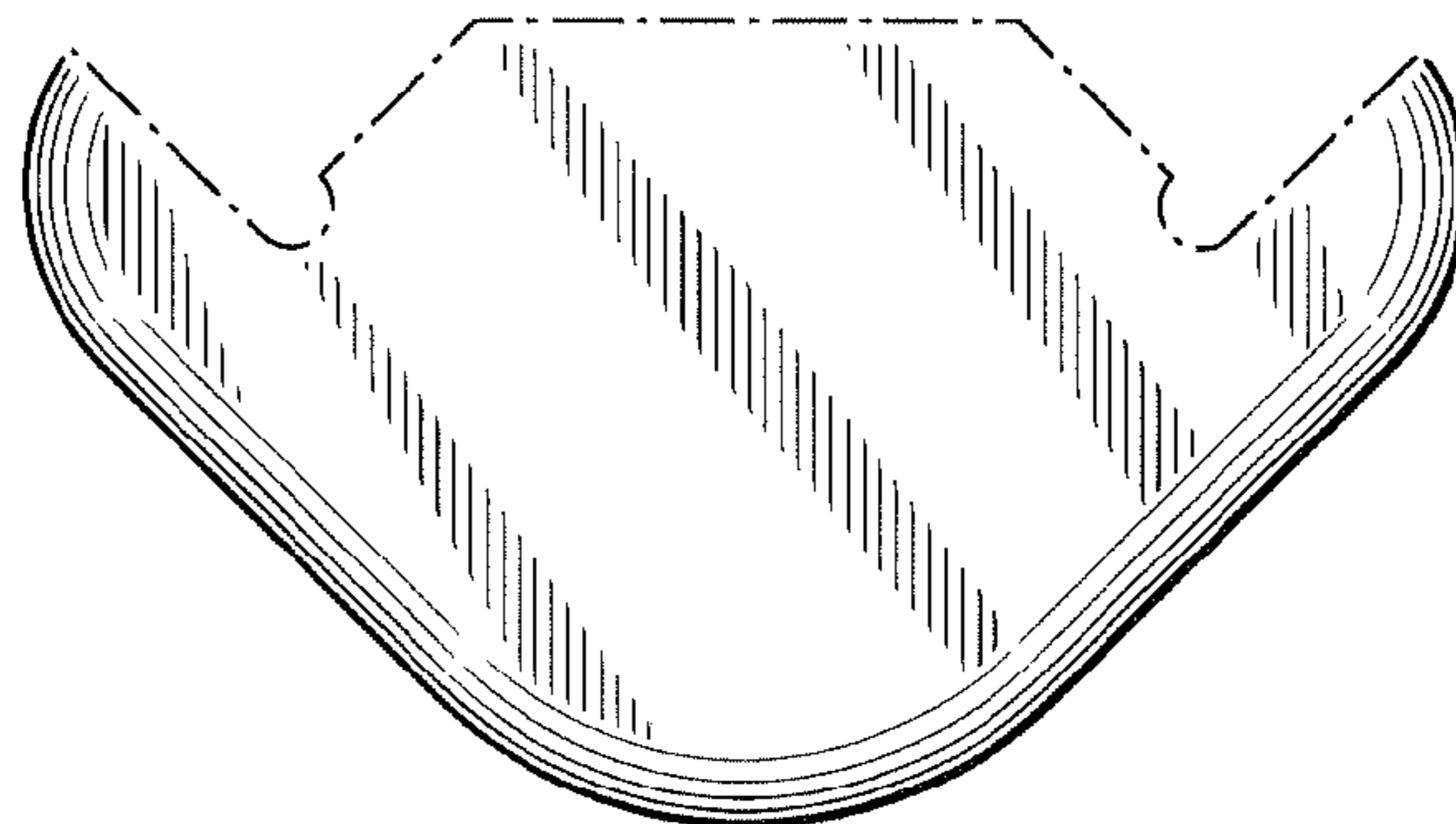


FIG. 6

UNITED STATES PATENT AND TRADEMARK OFFICE
CERTIFICATE OF CORRECTION

PATENT NO. : D623,823 S
APPLICATION NO. : 29/359127
DATED : September 14, 2010
INVENTOR(S) : Daniel J. Parker

Page 1 of 5

It is certified that error appears in the above-identified patent and that said Letters Patent is hereby corrected as shown below:

The title page should be deleted to appear as per attached title page.

The sheet of drawings consisting of Figures 1, 2, 5 and 6 should be deleted to appear as per attached figures 1, 2, 5 and 6.

Signed and Sealed this
Eighteenth Day of December, 2012

A handwritten signature in black ink that reads "David J. Kappos". The signature is written in a cursive, slightly slanted style.

David J. Kappos
Director of the United States Patent and Trademark Office

(12) **United States Design Patent**
Parker

(10) **Patent No.:** **US D623,823 S**

(45) **Date of Patent:** **** Sep. 14, 2010**

(54) **CASKET SHELL CORNER**

(75) **Inventor:** **Daniel J. Parker, Connersville, IN (US)**

(73) **Assignee:** **Batesville Services, Inc., Batesville, IN (US)**

(**) **Term:** **14 Years**

(21) **Appl. No.:** **29/359,127**

(22) **Filed:** **Apr. 6, 2010**

Related U.S. Application Data

(62) Division of application No. 29/342,802, filed on Sep. 1, 2009, now Pat. No. Des. 613,475, which is a division of application No. 29/325,326, filed on Sep. 29, 2008, now Pat. No. Des. 599,525.

(51) **LOC (9) Cl.** **99-00**

(52) **U.S. Cl.** **D99/13**

(58) **Field of Classification Search** 1/99/1 24;
27/1-8, 14, 27, 30; 52/103, 720; 40/124.5;
256/19, 22, 24, 34, 65, 67, 73; D25/38, 42,
D25/126, 129

See application file for complete search history.

(56) **References Cited**

U.S. PATENT DOCUMENTS

6,591,466 B1 * 7/2003 Acton et al. 27/10

6,928,706 B2 * 8/2005 Acton et al. 27/10

* cited by examiner

Primary Examiner—T. Chase Nelson

Assistant Examiner—Michael A Pratt

(74) *Attorney, Agent, or Firm—Wood, Herron & Evans, LLP*

(57) **CLAIM**

The ornamental design for a casket shell corner, as shown and described.

DESCRIPTION

FIG. 1 is a perspective view of a of my new, original and ornamental design for a casket shell corner;

FIG. 2 is an enlarged perspective view thereof;

FIG. 3 is a front view thereof;

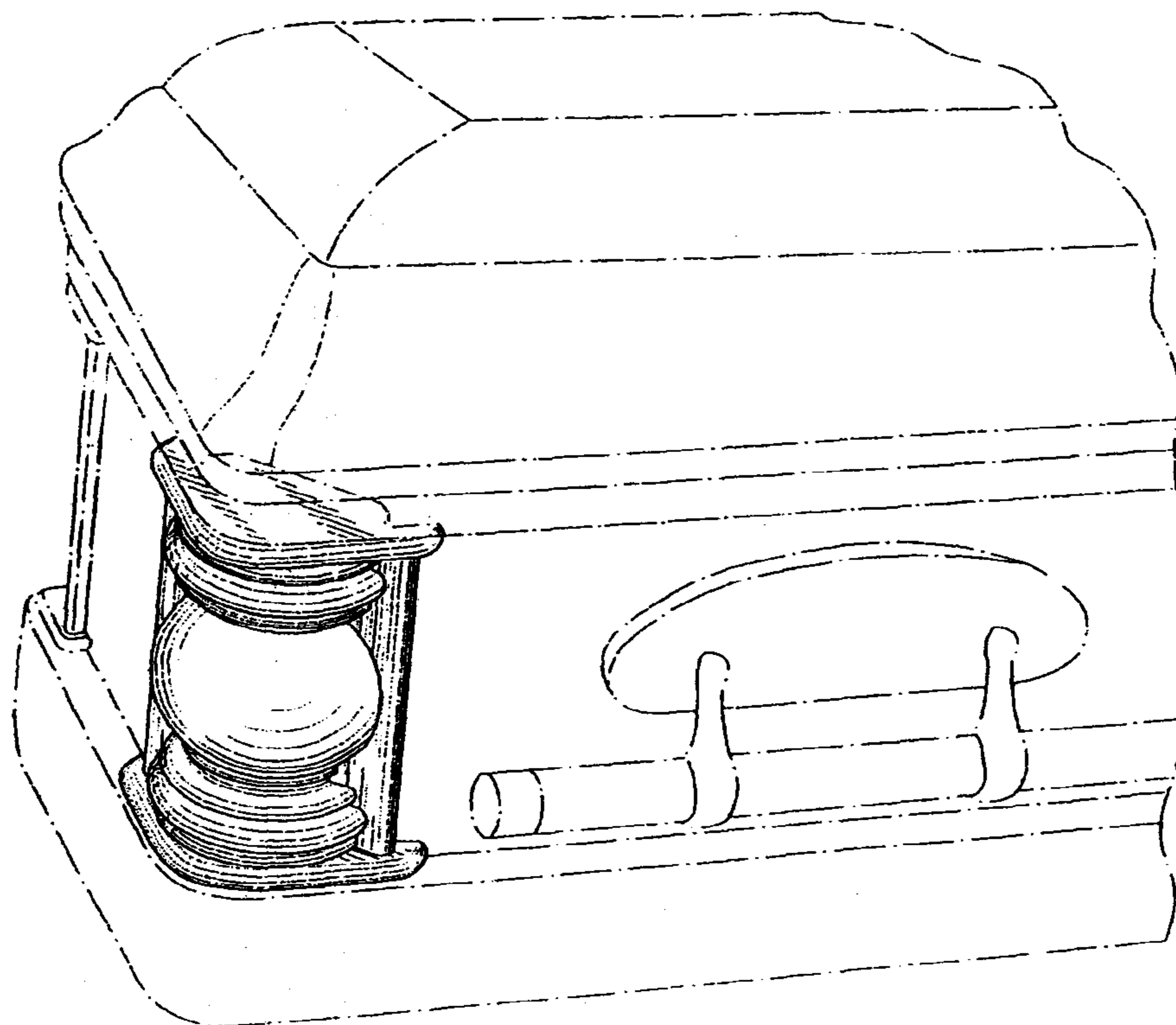
FIG. 4 is a side view thereof, the other side view being a mirror image thereof

FIG. 5 is a top view thereof; and,

FIG. 6 is a bottom view thereof.

The broken line showing of the upper flat surface of the casket shell corner shown in FIGS. 1, 2, 5 and 6 and the remainder of the casket in FIG. 1 is included for the purpose of illustrating environment and forms no part of the claimed design. The broken line adjacent to the shaded portion of the casket shell corner forms an unclaimed boundary of the design. The undisclosed portion of the casket shell corner forms no part of the claimed design.

1 Claim, 3 Drawing Sheets



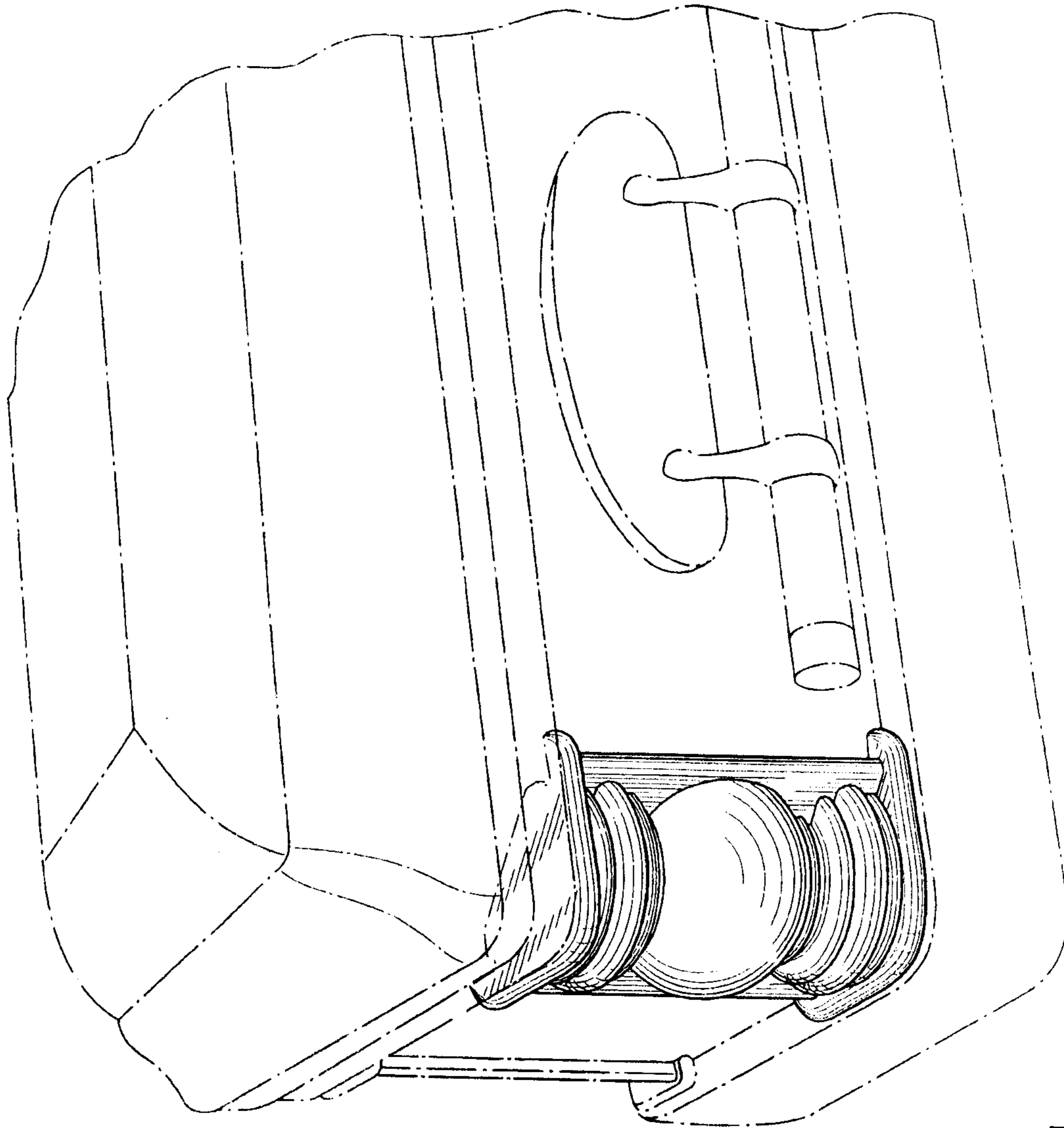


FIG. 1

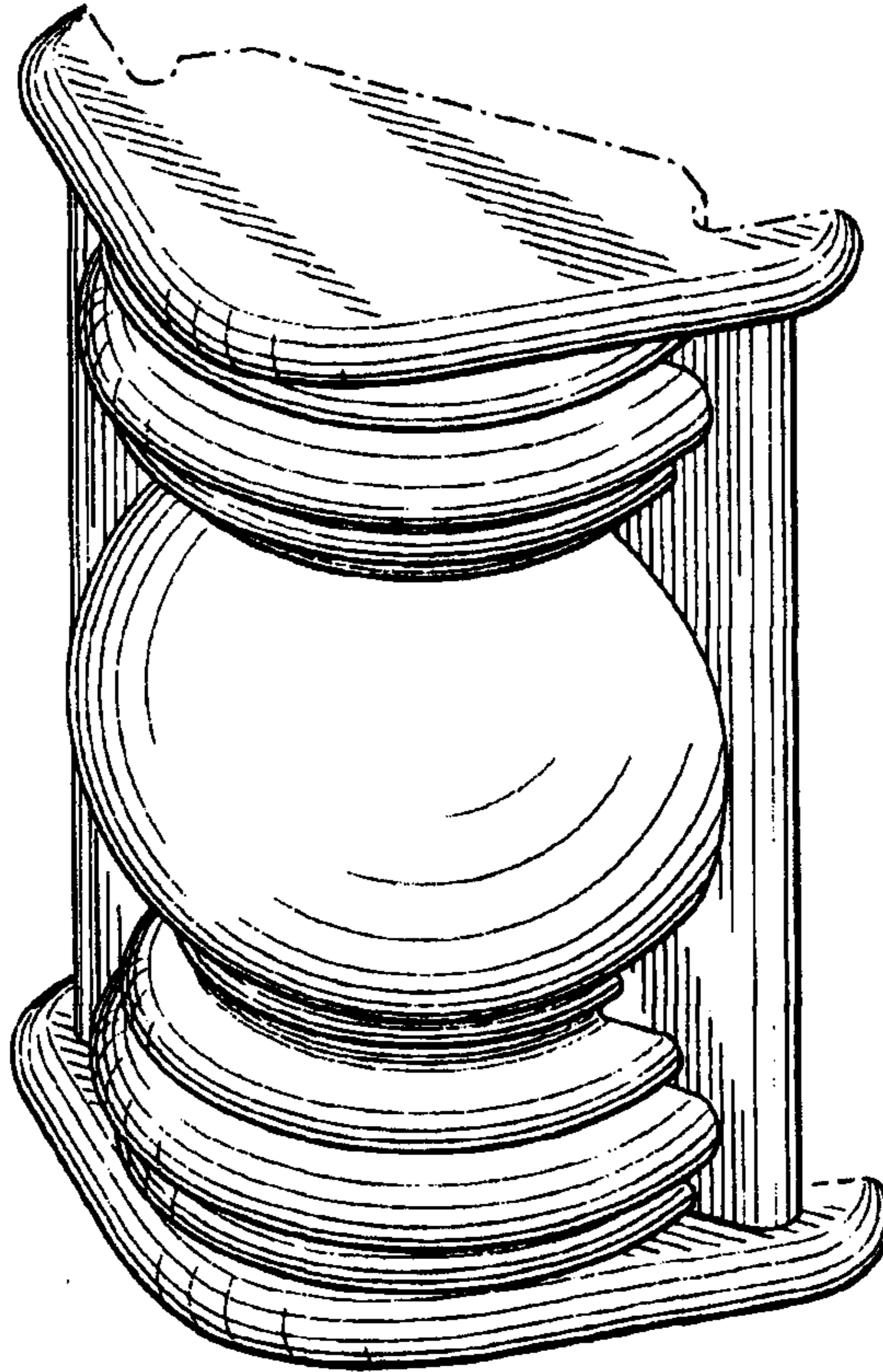


FIG. 2

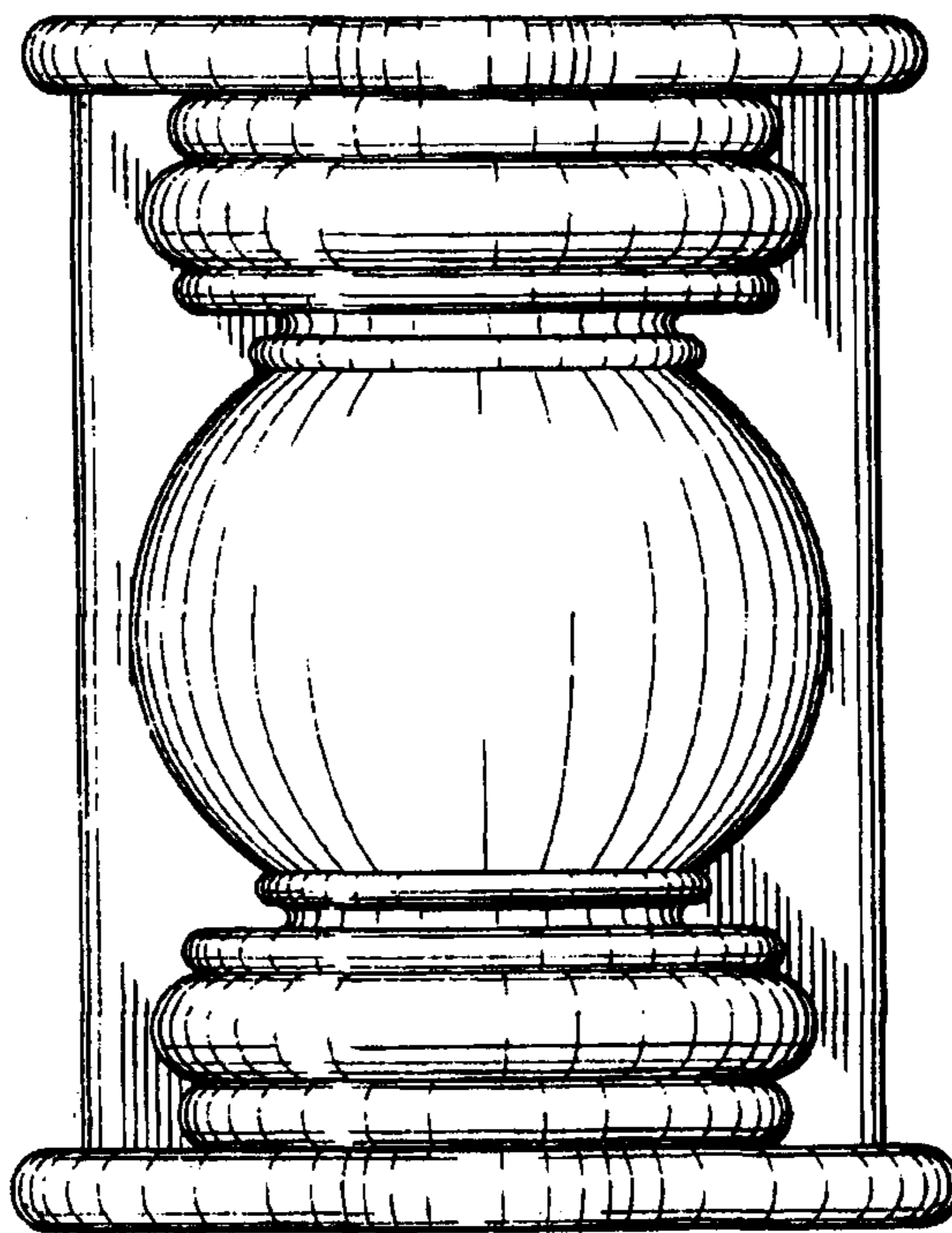


FIG. 3

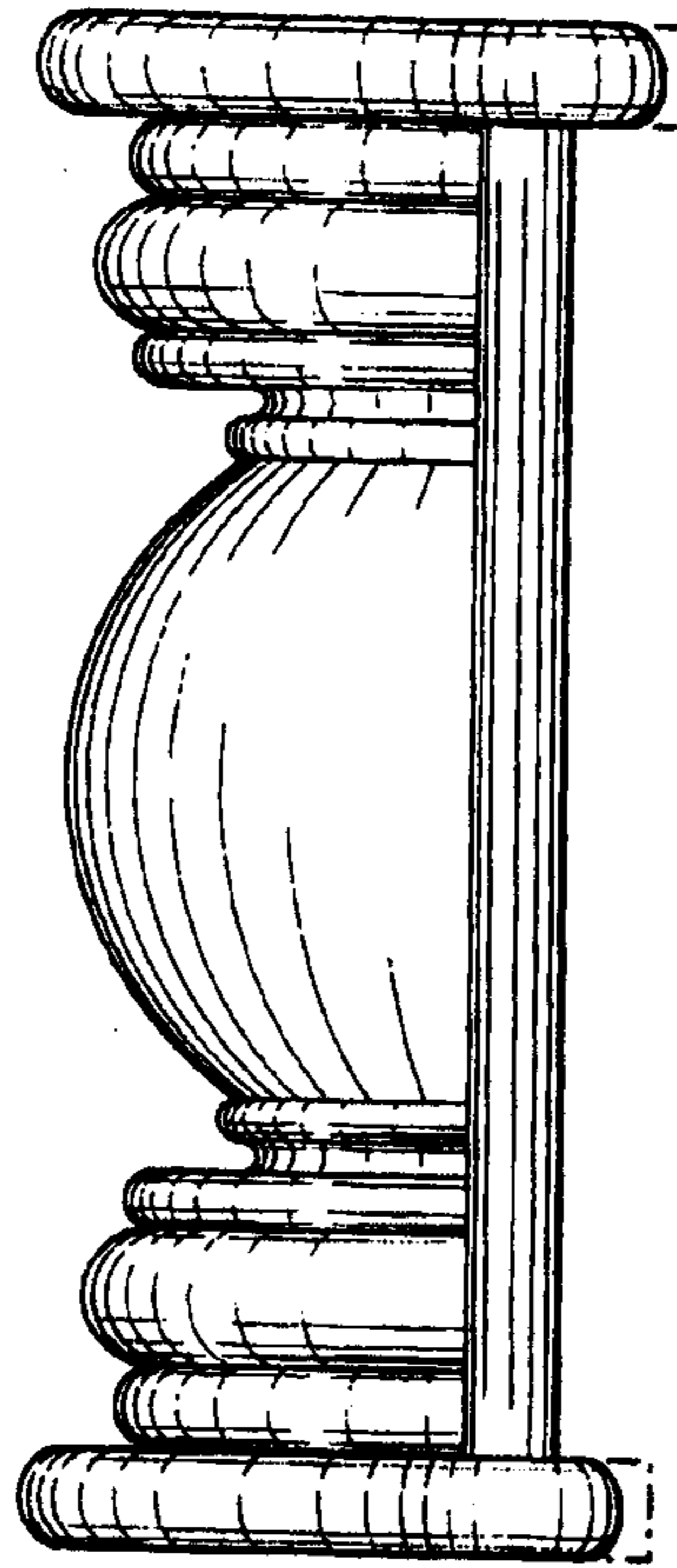


FIG. 4

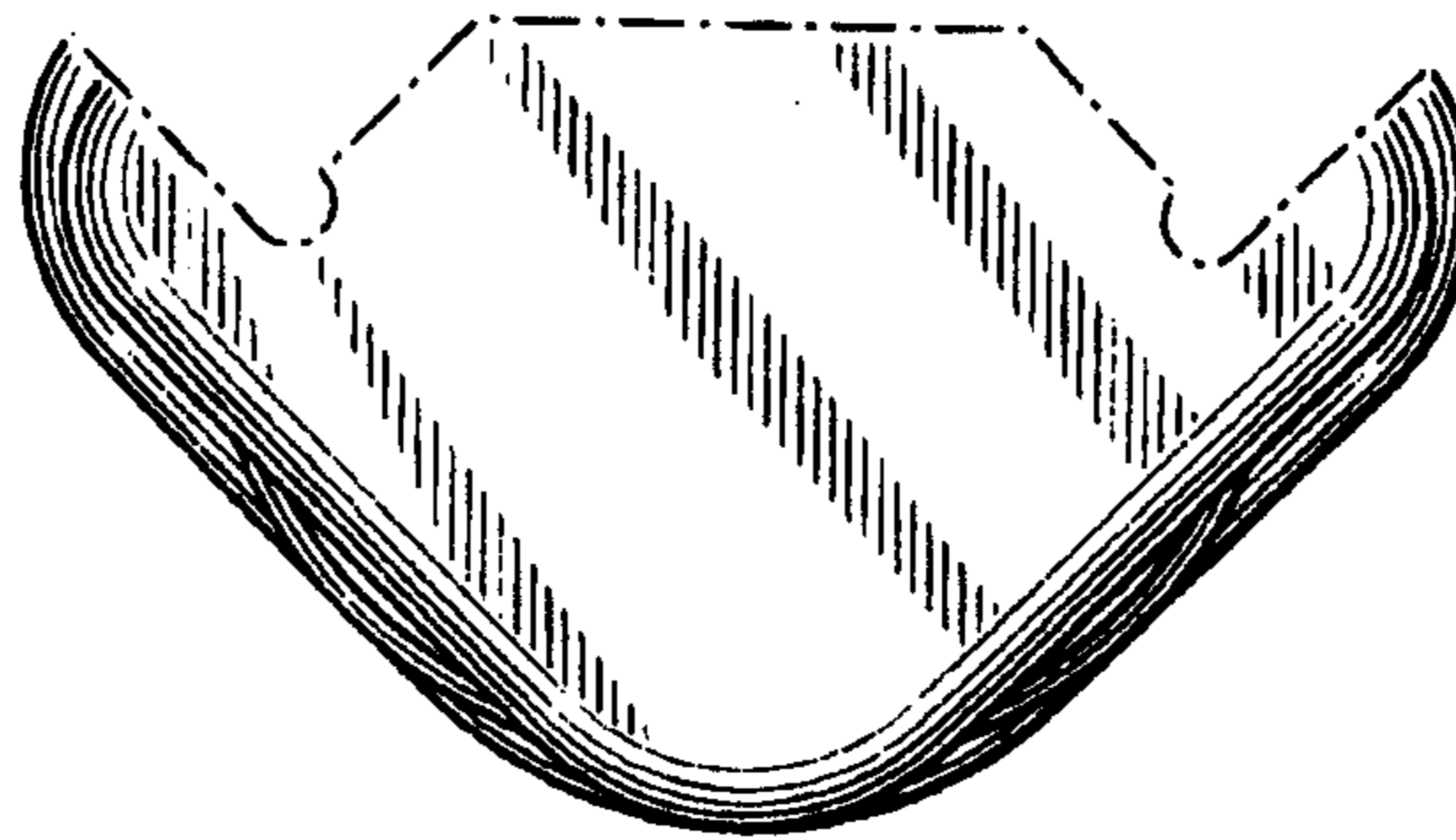


FIG. 5

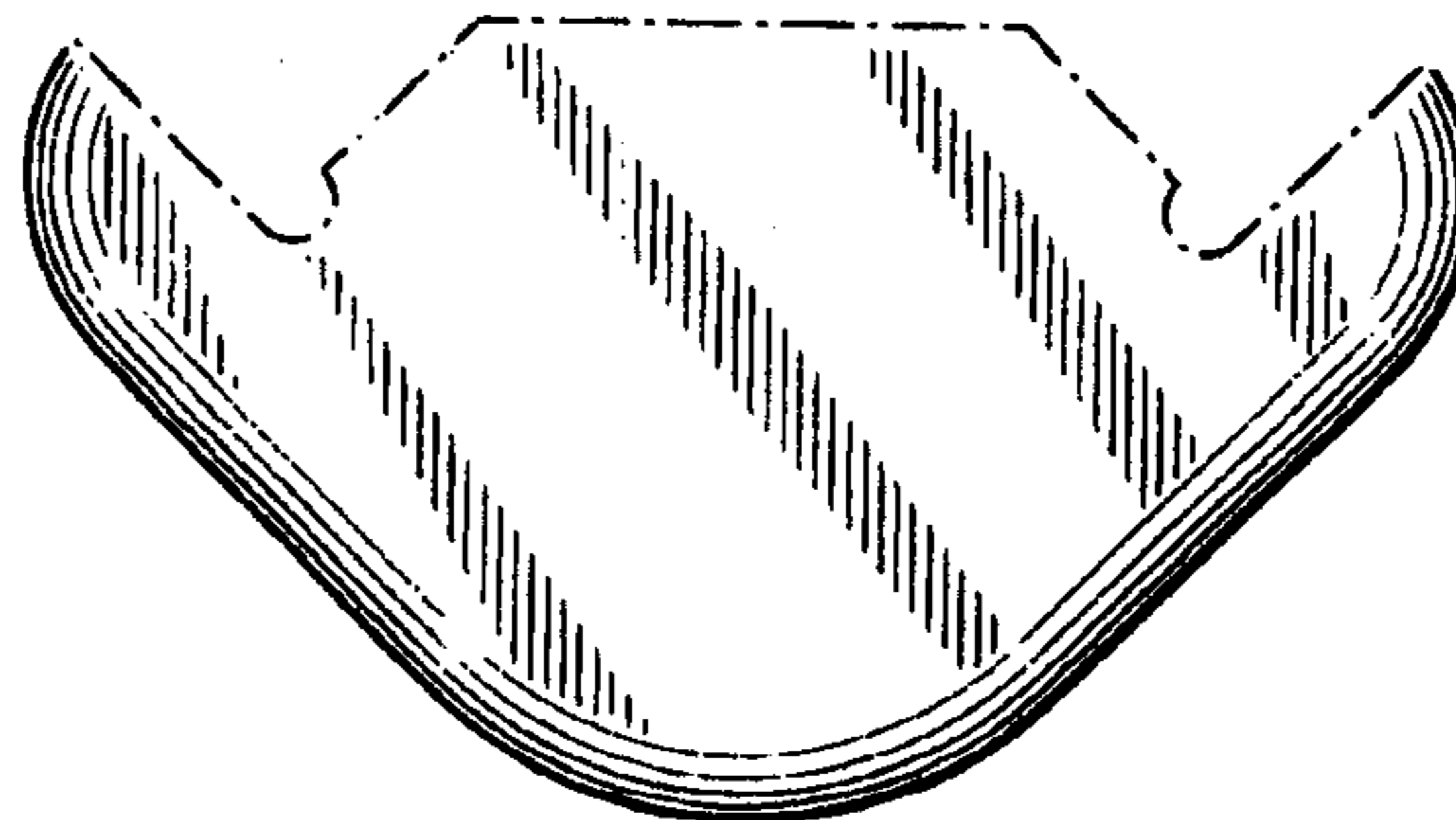


FIG. 6