



US00D623820S

(12) **United States Design Patent**  
**Masalin et al.**

(10) **Patent No.:** **US D623,820 S**

(45) **Date of Patent:** **\*\* Sep. 14, 2010**

(54) **FORK LIFT TRUCK**

(75) Inventors: **Petteri Masalin**, Järvenpää (FI); **Kero Uusitalo**, Järvenpää (FI); **Jouni Salojärvi**, Järvenpää (FI)

(73) Assignee: **Rocla Oyj**, Jarvenpaa (FI)

(\*\*) Term: **14 Years**

(21) Appl. No.: **29/293,717**

(22) Filed: **Dec. 7, 2007**

(51) **LOC (9) Cl.** ..... **12-05**

(52) **U.S. Cl.** ..... **D34/34**

(58) **Field of Classification Search** ..... D34/34,  
D34/35; 180/89.12, 299, 325; 280/43.12;  
187/222, 224

See application file for complete search history.

(56) **References Cited**

**U.S. PATENT DOCUMENTS**

D136,279	S	*	8/1943	Holland et al.	.....	D34/34
2,618,490	A	*	11/1952	Frischmann	.....	280/43.12
3,243,194	A	*	3/1966	Trusock	.....	280/43.12
3,249,170	A	*	5/1966	Quayle	.....	180/19.2
3,260,534	A	*	7/1966	Knights	.....	280/43.12
3,261,617	A	*	7/1966	Becker et. al.	.....	280/43.12
3,352,569	A	*	11/1967	Goodacre	.....	280/43.12
D222,670	S	*	11/1971	Goodacre	.....	D34/34

D239,165	S	*	3/1976	Mono	.....	D34/34
4,047,698	A	*	9/1977	Ellis	.....	254/2 R
4,615,533	A	*	10/1986	Sewell	.....	280/43.12
D343,935	S	*	2/1994	Drobeck et al.	.....	D34/35
5,590,735	A	*	1/1997	Cartier	.....	180/210
D408,958	S	*	4/1999	Schneider	.....	D34/28
6,125,971	A	*	10/2000	Niebuhr et al.	.....	187/231
D447,612	S	*	9/2001	Niebuhr	.....	D34/34
D464,785	S	*	10/2002	Gallagher	.....	D34/35
D559,498	S	*	1/2008	Ruppert et al.	.....	D34/34
D562,525	S	*	2/2008	Graf et al.	.....	D34/34
D565,270	S	*	3/2008	Ruppert et al.	.....	D34/34
2005/0016782	A1	*	1/2005	Gallagher et al.	.....	180/89.12

\* cited by examiner

*Primary Examiner*—Cynthia E Ramirez

(74) *Attorney, Agent, or Firm*—Klauber & Jackson LLC

(57) **CLAIM**

The ornamental design for a fork lift truck, as shown and described.

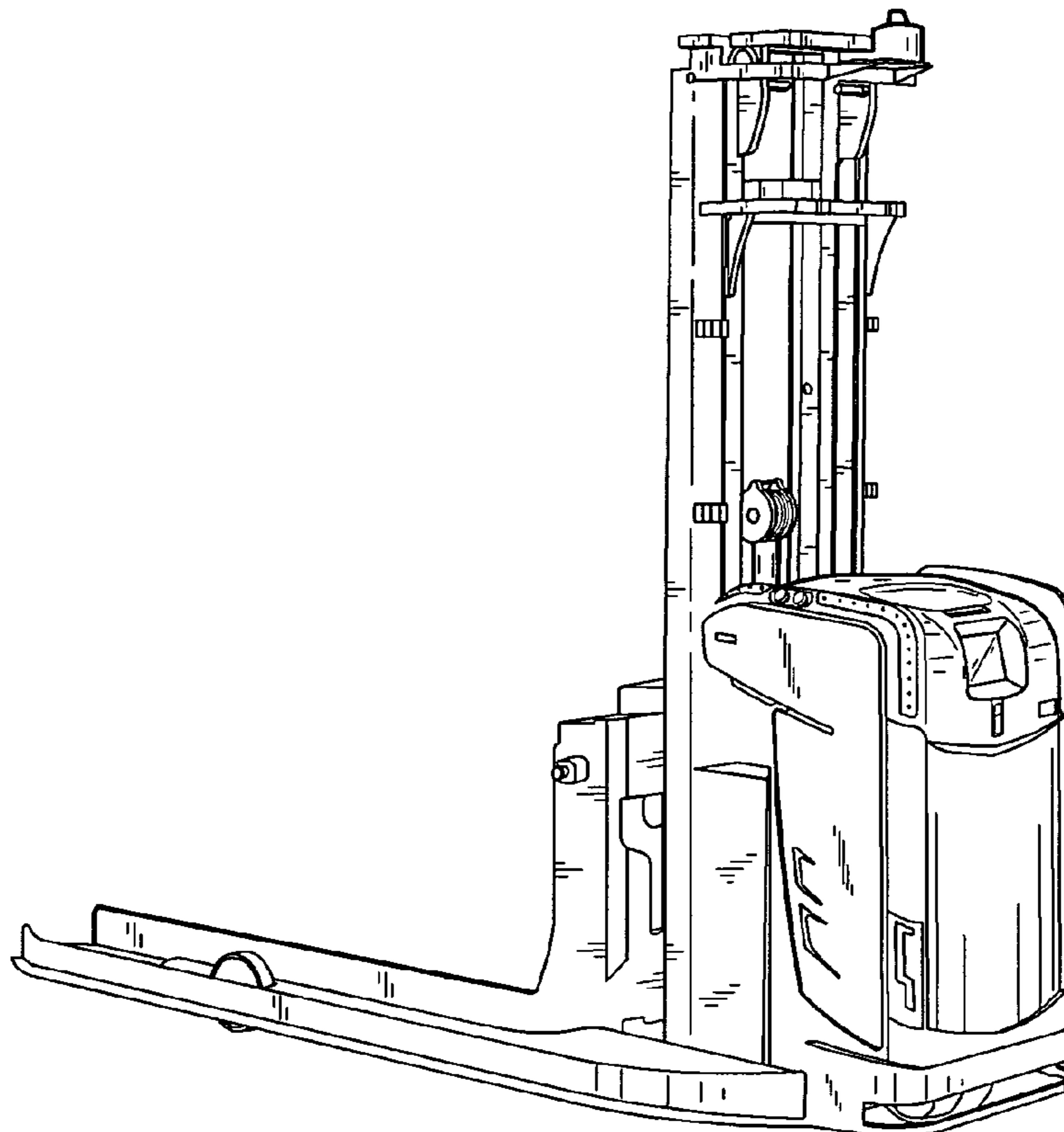
**DESCRIPTION**

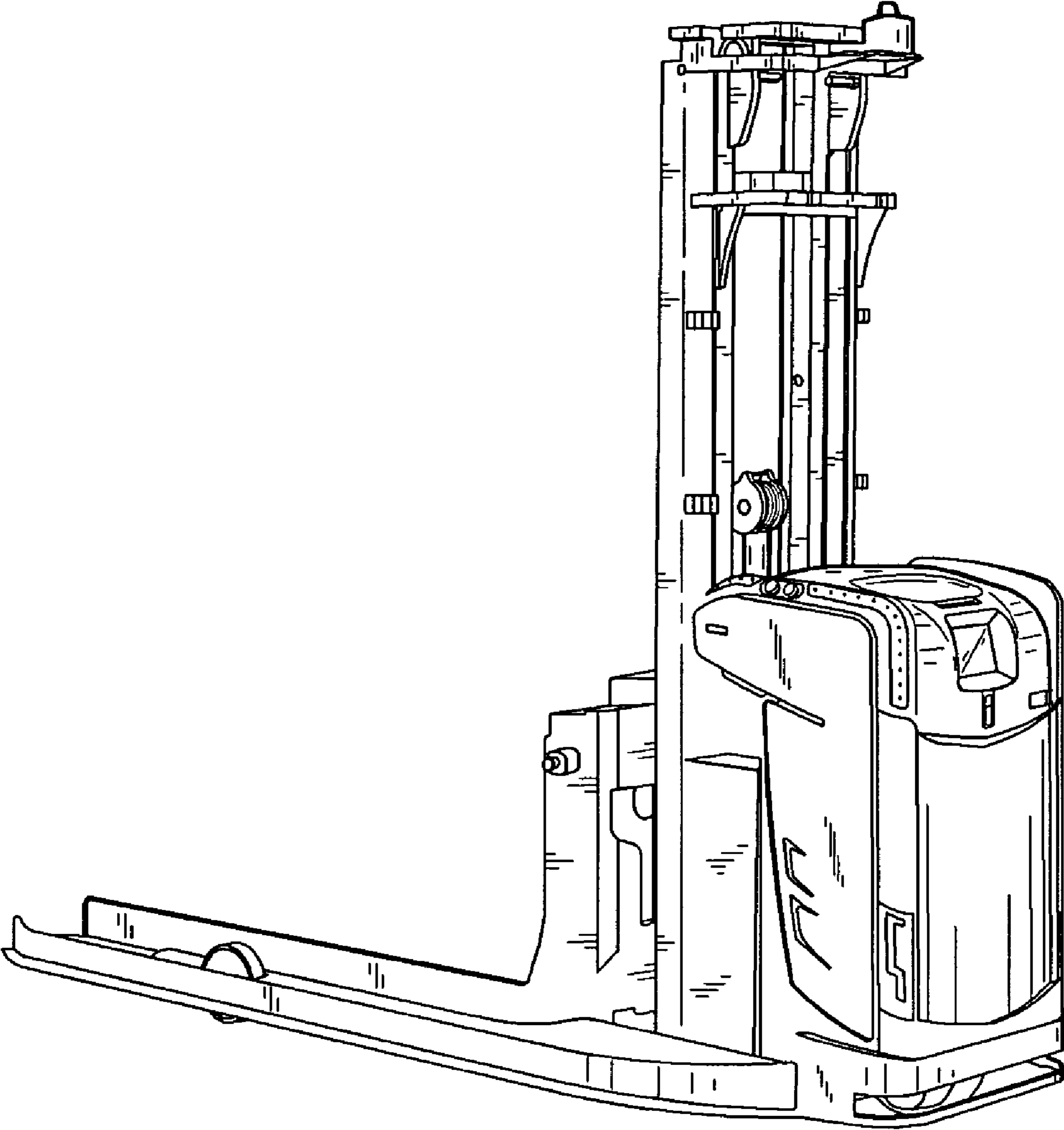
FIG. 1 is a left front elevational perspective view of a fork lift truck of my new design;

FIG. 2 is a left side view of the design of FIG. 1, the right side view being a mirror image thereof; and,

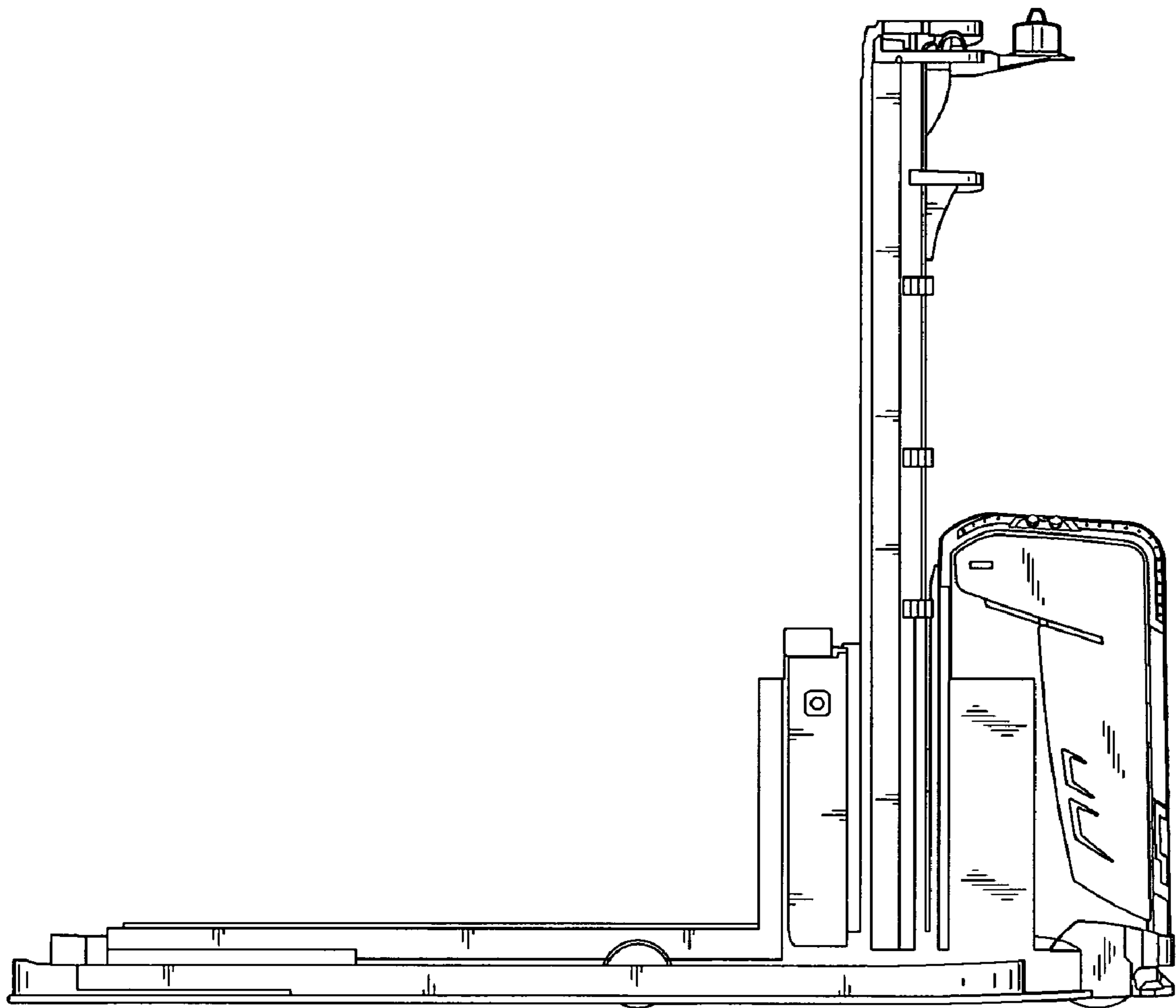
FIG. 3 is a front elevational view thereof.

**1 Claim, 3 Drawing Sheets**

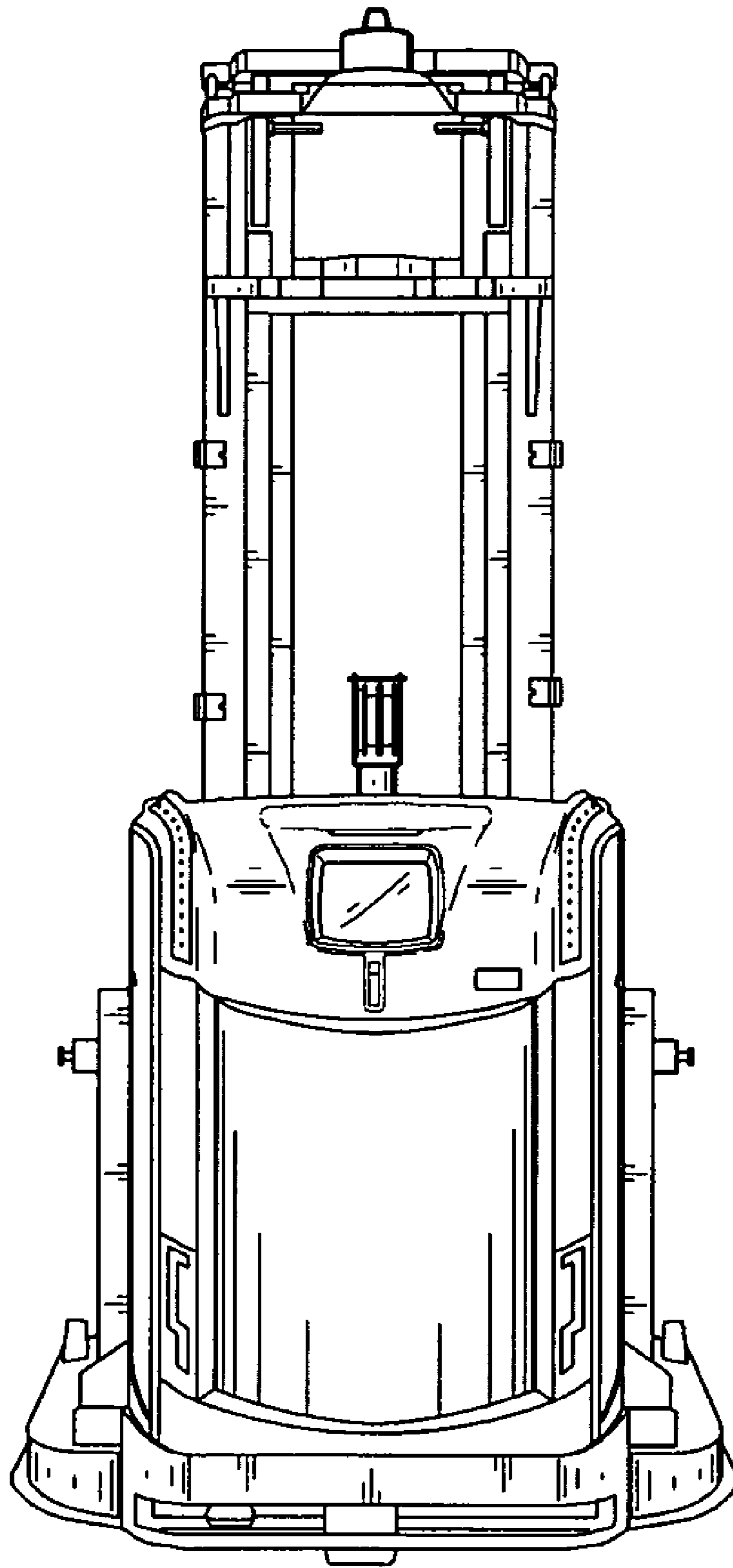




*FIG. 1*



*FIG. 2*



*FIG. 3*