



US00D623814S

(12) **United States Design Patent**  
**LaValle et al.**

(10) **Patent No.:** **US D623,814 S**  
(45) **Date of Patent:** **\*\* Sep. 14, 2010**

(54) **VACUUM HANDPIECE**

(75) Inventors: **Eric J. LaValle**, Three Rivers, MA (US);  
**Thomas Tremblay**, Concord, MA (US)

(73) Assignee: **Guardair Corporation**, Chicopee, MA (US)

(\*\*) Term: **14 Years**

(21) Appl. No.: **29/351,368**

(22) Filed: **Dec. 4, 2009**

**Related U.S. Application Data**

(63) Continuation of application No. 29/304,912, filed on Mar. 10, 2008, now Pat. No. Des. 605,820.

(51) **LOC (9) Cl.** ..... **15-05**

(52) **U.S. Cl.** ..... **D32/31**

(58) **Field of Classification Search** ..... D32/15,  
D32/17-18, 21, 31; 15/344, 329, 320-322,  
15/415.1-422.1, 414, 327.5, 398, 400, 300.1,  
15/330, 345, 408; D23/226-227; 239/291,  
239/525-527, DIG. 22; D8/29.1

See application file for complete search history.

(56) **References Cited**

**U.S. PATENT DOCUMENTS**

2,320,964	A	6/1943	Yates	
2,604,361	A	7/1952	Yates	
2,783,092	A	2/1957	Gavin et al.	
D183,070	S *	6/1958	Stillson	D23/226
D202,216	S *	9/1965	Lilkemark	D23/226
3,780,949	A	12/1973	Gavin	
3,967,341	A	7/1976	Gavin	
D250,115	S *	10/1978	Kawamura	D32/18
D254,833	S *	4/1980	Cooper	D32/18
D280,338	S *	8/1985	Skarsten	D8/29.1
5,322,221	A	6/1994	Anderson	
6,467,705	B2	10/2002	Robidoux	
6,616,069	B1 *	9/2003	Jou	239/525
6,663,023	B1 *	12/2003	Jou	239/526
D497,661	S	10/2004	Chen et al.	

D505,712	S	5/2005	Huang et al.	
D507,036	S *	7/2005	Khaitov	D23/226
D507,630	S	7/2005	Huang et al.	
D512,122	S	11/2005	Yorns et al.	
6,976,640	B2 *	12/2005	Chen	239/291
D561,874	S	2/2008	Downey et al.	
D564,069	S	3/2008	Yorns et al.	
D565,153	S	3/2008	Downey et al.	
D572,097	S *	7/2008	Yung-Kuan	D8/29.1
D574,465	S *	8/2008	Rigolio	D23/226
D582,511	S	12/2008	Downey et al.	

(Continued)

**OTHER PUBLICATIONS**

Guardair Syphon Spray Gun, retrieved from internet: "http://www.guardaircorp.com/content/spraygun.html." Retrieved on Apr. 12, 2010.\*

*Primary Examiner*—Ruth McInroy

(74) *Attorney, Agent, or Firm*—Scott E. Kamholz; Foley Hoag LLP

(57) **CLAIM**

The ornamental design for a vacuum handpiece, as shown and described.

**DESCRIPTION**

FIG. 1 is a perspective view of a vacuum handpiece showing our new design;

FIG. 2 is a left side elevation view thereof, the right side being a mirror image thereof;

FIG. 3 is a top plan view thereof;

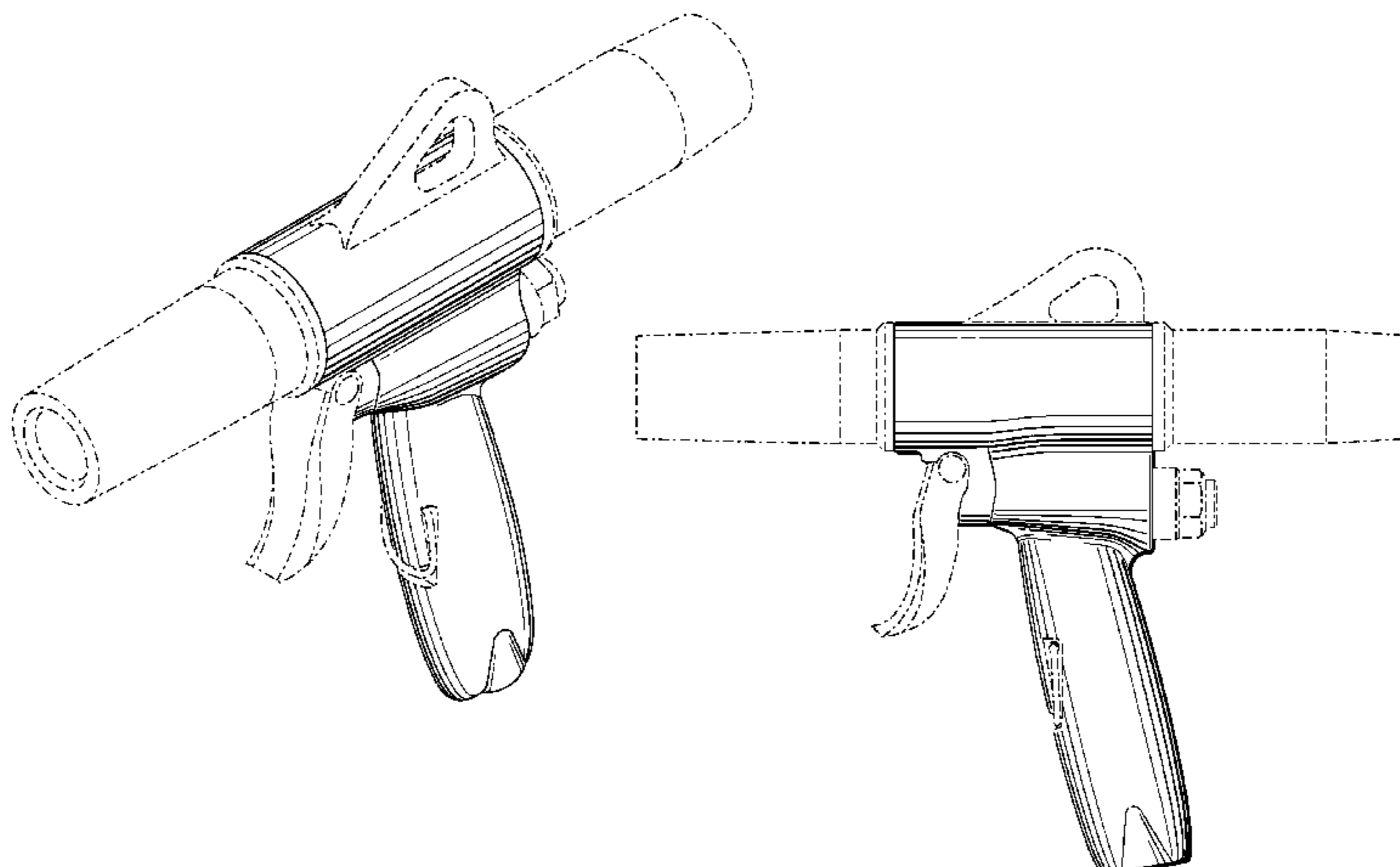
FIG. 4 is a bottom plan view thereof;

FIG. 5 is a rear elevation view thereof; and,

FIG. 6 is a front elevation view thereof.

Broken lines shown in the drawings are for illustrative purposes only and do not form part of the claimed design.

**1 Claim, 4 Drawing Sheets**



# US D623,814 S

Page 2

---

## U.S. PATENT DOCUMENTS

D592,277 S 5/2009 Yorns  
D601,223 S 9/2009 Tremblay et al.  
7,591,435 B1 9/2009 Downey et al.

D605,820 S 12/2009 LaValle et al.  
2005/0098691 A1 5/2005 Yorns et al.  
2005/0218285 A1 10/2005 Yorns et al.  
2008/0054104 A1 3/2008 Tremblay et al.  
\* cited by examiner

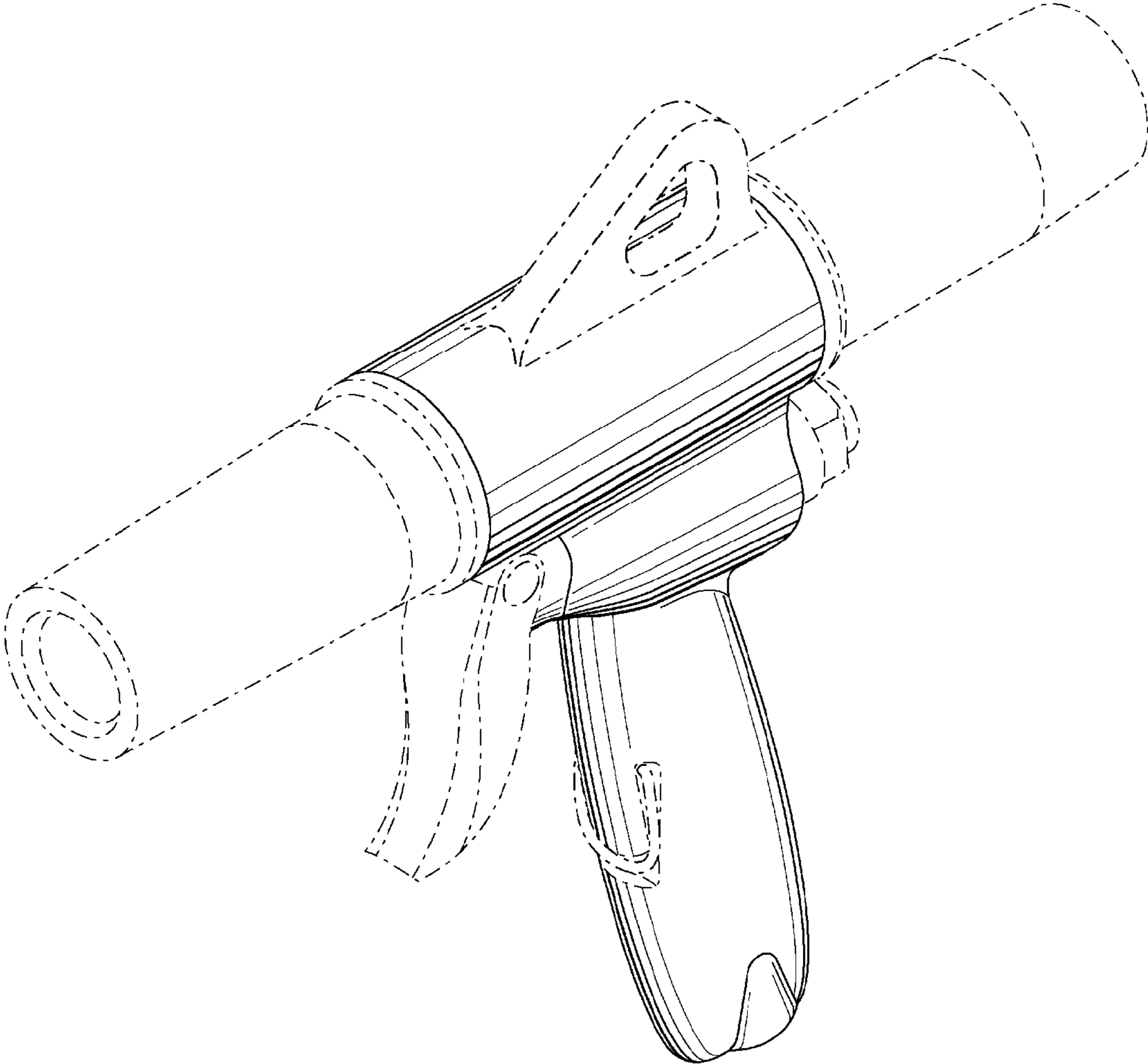


Fig. 1

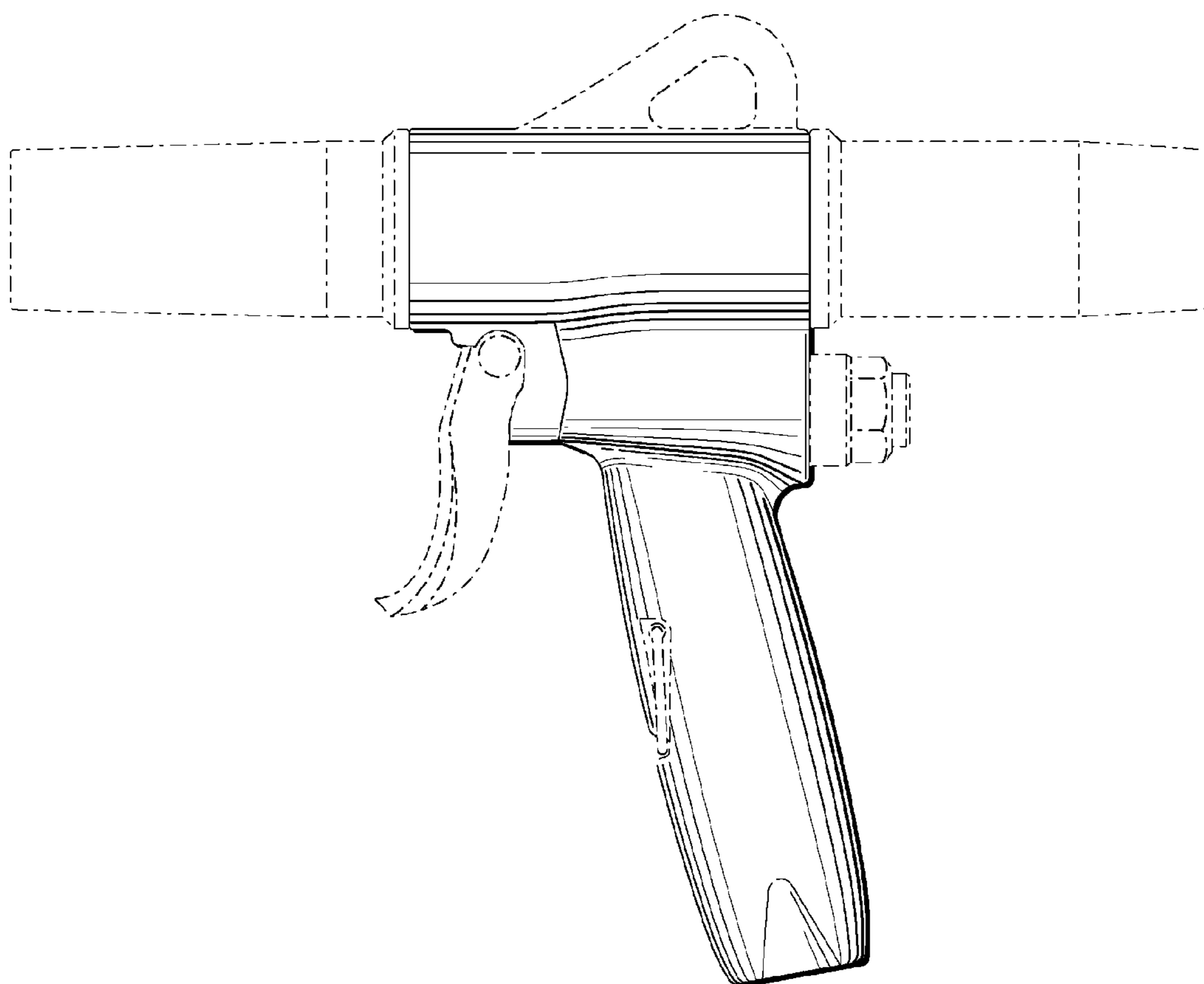


Fig. 2

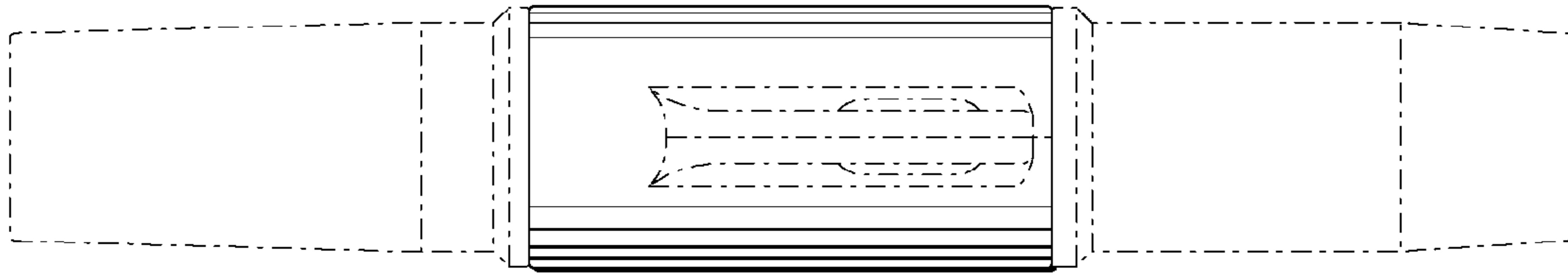


Fig. 3

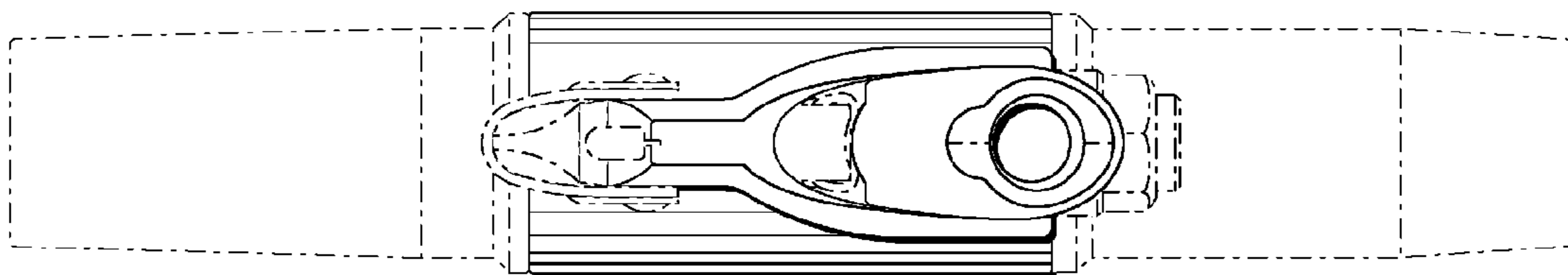


Fig. 4

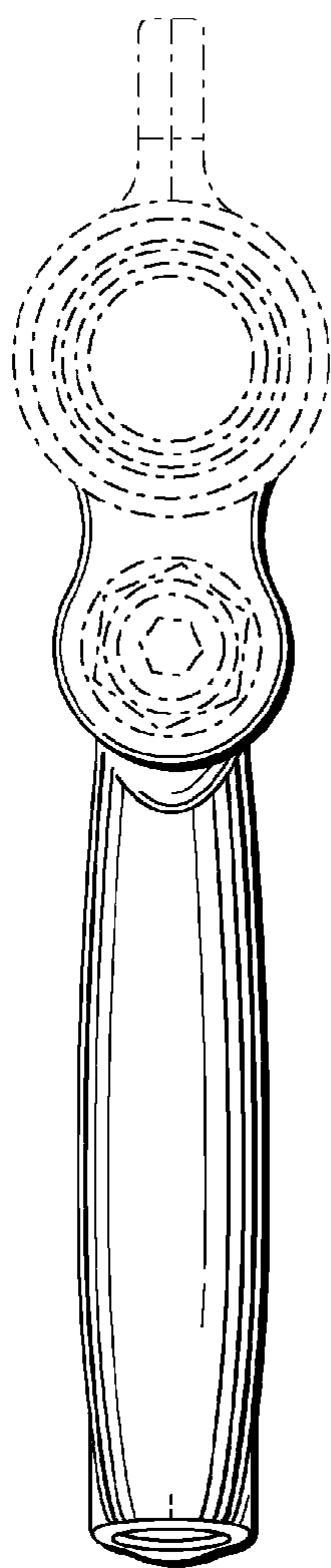


Fig. 5

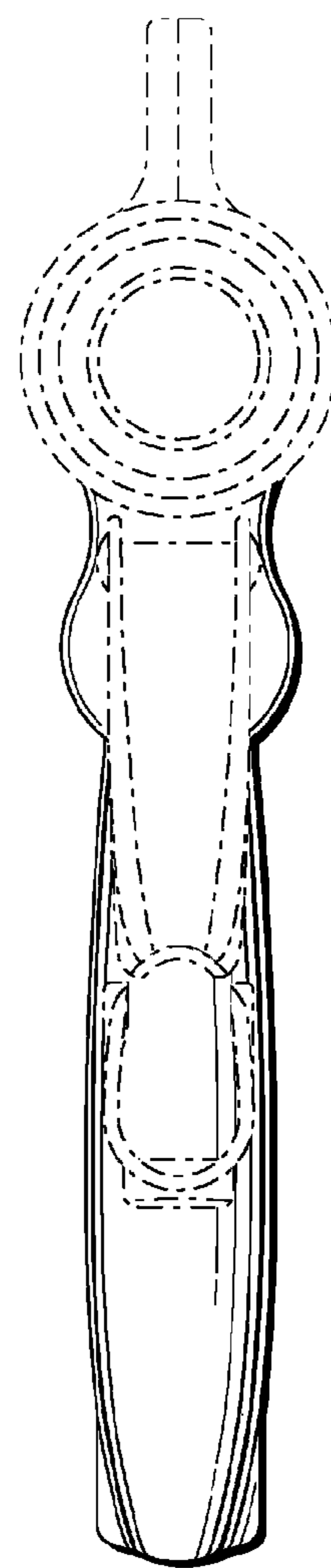


Fig. 6