



US00D623809S

(12) **United States Design Patent**
Nair

(10) **Patent No.:** **US D623,809 S**

(45) **Date of Patent:** **** Sep. 14, 2010**

(54) **SELF-CONTAINED INTEGRATED MOBILE LAUNDRY SYSTEM**

(75) Inventor: **Harikrishnan Achutan Nair**, Mumbai (IN)

(73) Assignees: **Axiom Consulting Private Limited**, Bangalore (IN); **Innosight Ventures Private Limited**, Singapore (SG)

(**) Term: **14 Years**

(21) Appl. No.: **29/336,054**

(22) Filed: **Apr. 28, 2009**

(30) **Foreign Application Priority Data**

Oct. 29, 2008 (IN) 219481
Oct. 29, 2008 (IN) 219482

(51) **LOC (9) Cl.** **15-05**

(52) **U.S. Cl.** **D32/5**

(58) **Field of Classification Search** D32/1,
D32/5-6, 8, 10; 68/3 R, 5 R, 12.01; 312/31;
34/87-88, 523-524

See application file for complete search history.

(56) **References Cited**

U.S. PATENT DOCUMENTS

D183,638 S * 9/1958 Sandburg D32/6
D476,782 S * 7/2003 Huddleston D32/6
D536,145 S * 1/2007 Lee et al. D32/6
D547,913 S * 7/2007 Reim et al. D32/6
D547,914 S * 7/2007 Ritterling et al. D32/6
D557,466 S * 12/2007 Suh D32/6
D588,312 S * 3/2009 Lee D32/8
D589,216 S * 3/2009 Park et al. D32/6
D591,915 S * 5/2009 Lee D32/8

D597,711 S * 8/2009 Nam et al. D32/6

* cited by examiner

Primary Examiner—T. Chase Nelson

Assistant Examiner—Kathleen M Sims

(74) *Attorney, Agent, or Firm*—Harness Dickey & Pierce, PLC

(57) **CLAIM**

The ornamental design for a self-contained integrated mobile laundry system, as shown and described.

DESCRIPTION

FIG. 1 is a perspective view of a self-contained integrated mobile laundry system shown in the closed position showing my new design;

FIG. 2 is a top view shown in the closed position;

FIG. 3 is a bottom view shown in the closed position;

FIG. 4 is a left view shown in the closed position;

FIG. 5 is a right view shown in the closed position;

FIG. 6 is a front view shown in the closed position;

FIG. 7 is a back view shown in the closed position;

FIG. 8 is a right perspective view shown in the open position;

FIG. 9 is a left perspective view shown in the open position;

FIG. 10 is a top view shown in the open position;

FIG. 11 is a bottom view shown in the open position;

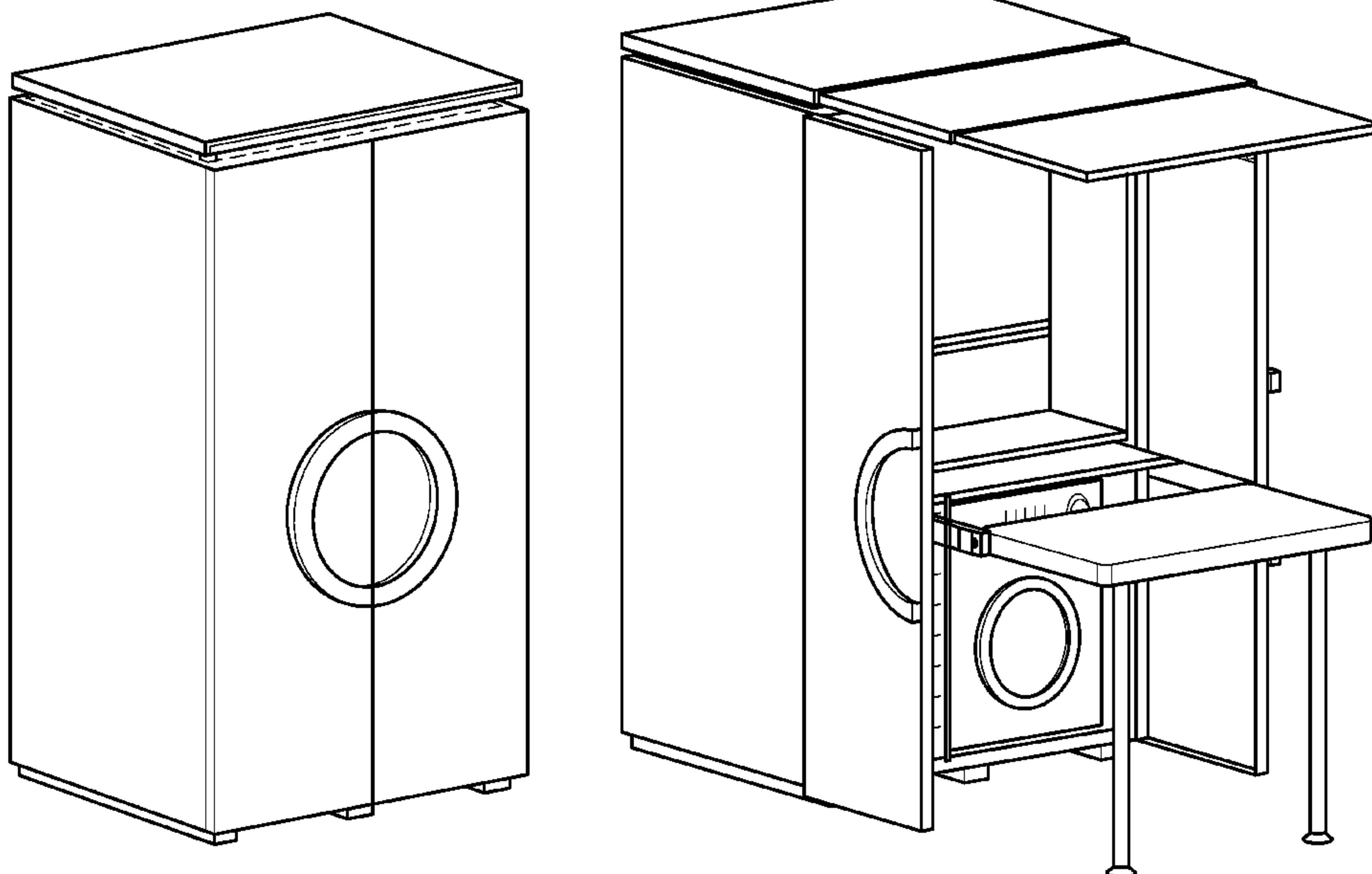
FIG. 12 is a left view shown in the open position;

FIG. 13 is a right view shown in the open position;

FIG. 14 is a front view shown in the open position; and,

FIG. 15 is a back view shown in the open position.

1 Claim, 15 Drawing Sheets



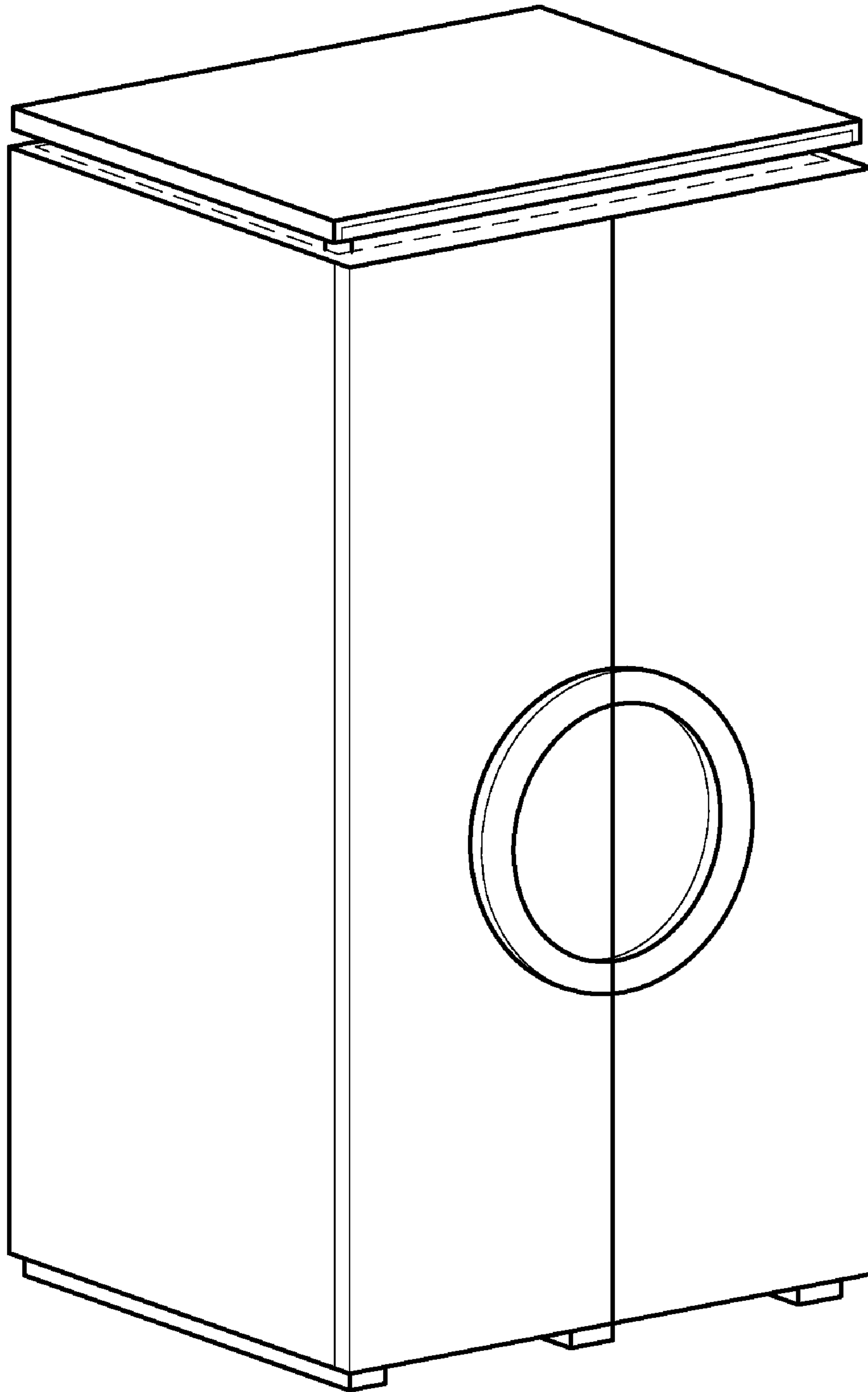


FIG. 1

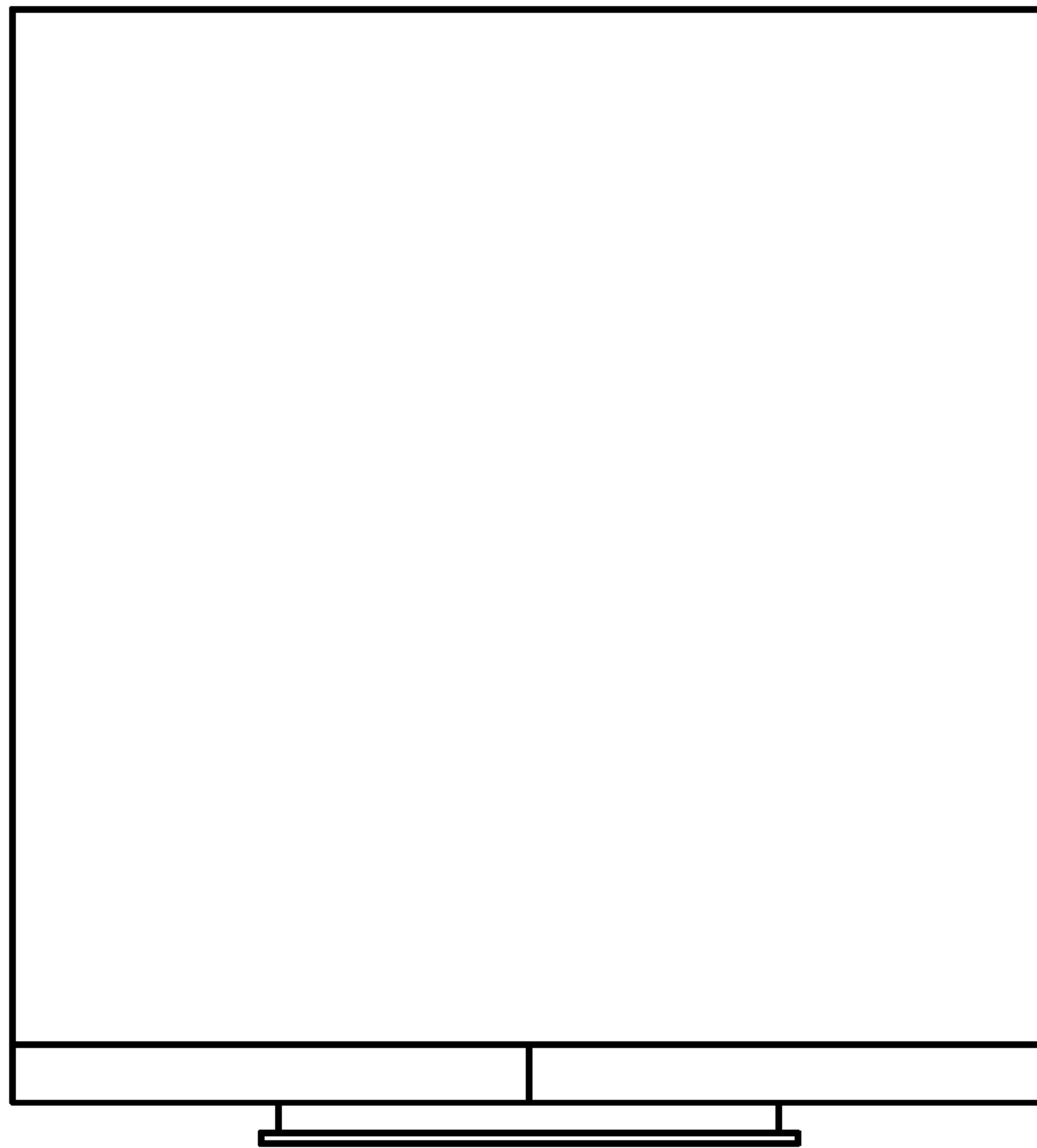


FIG. 2

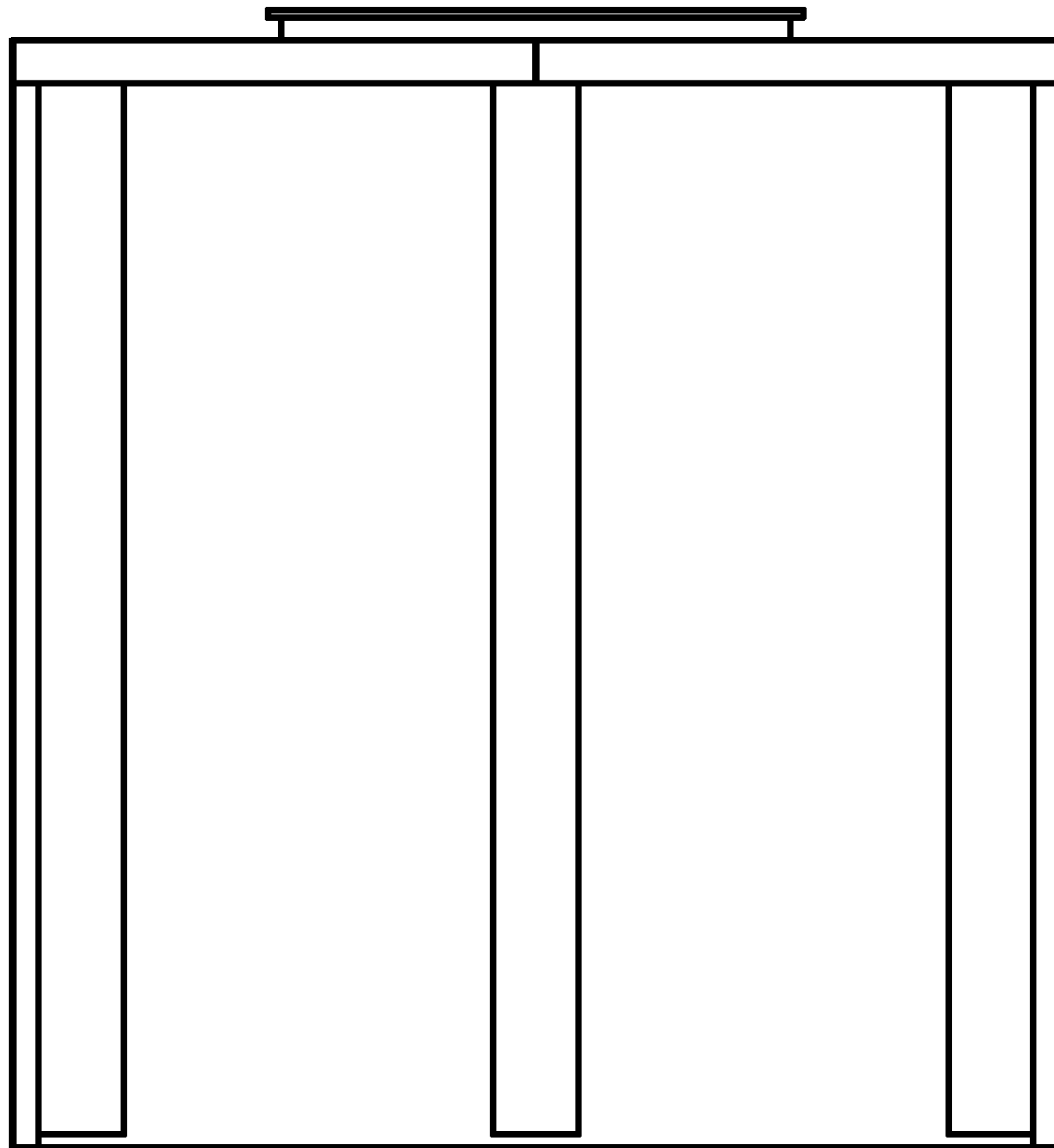


FIG. 3

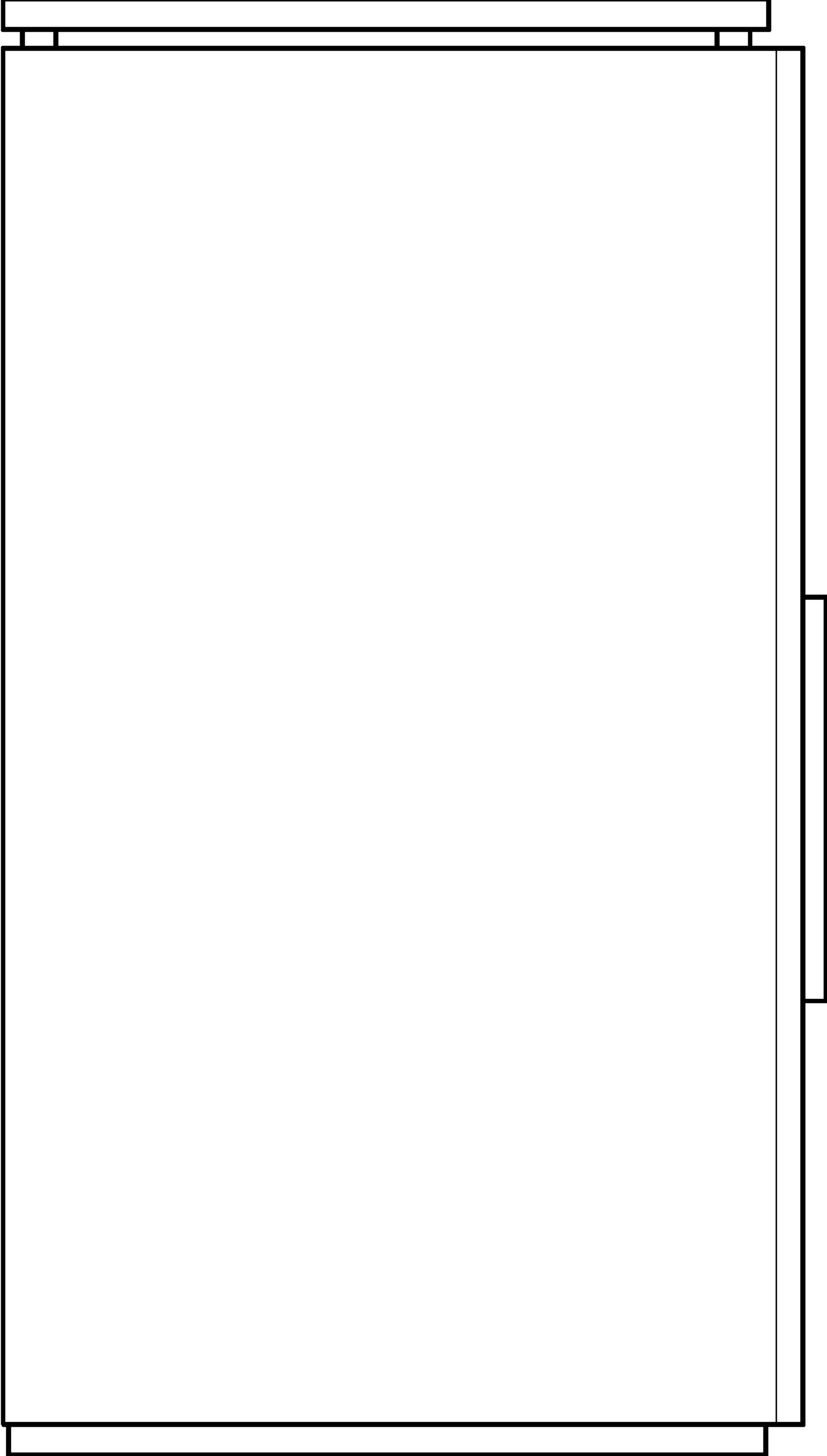


FIG. 4

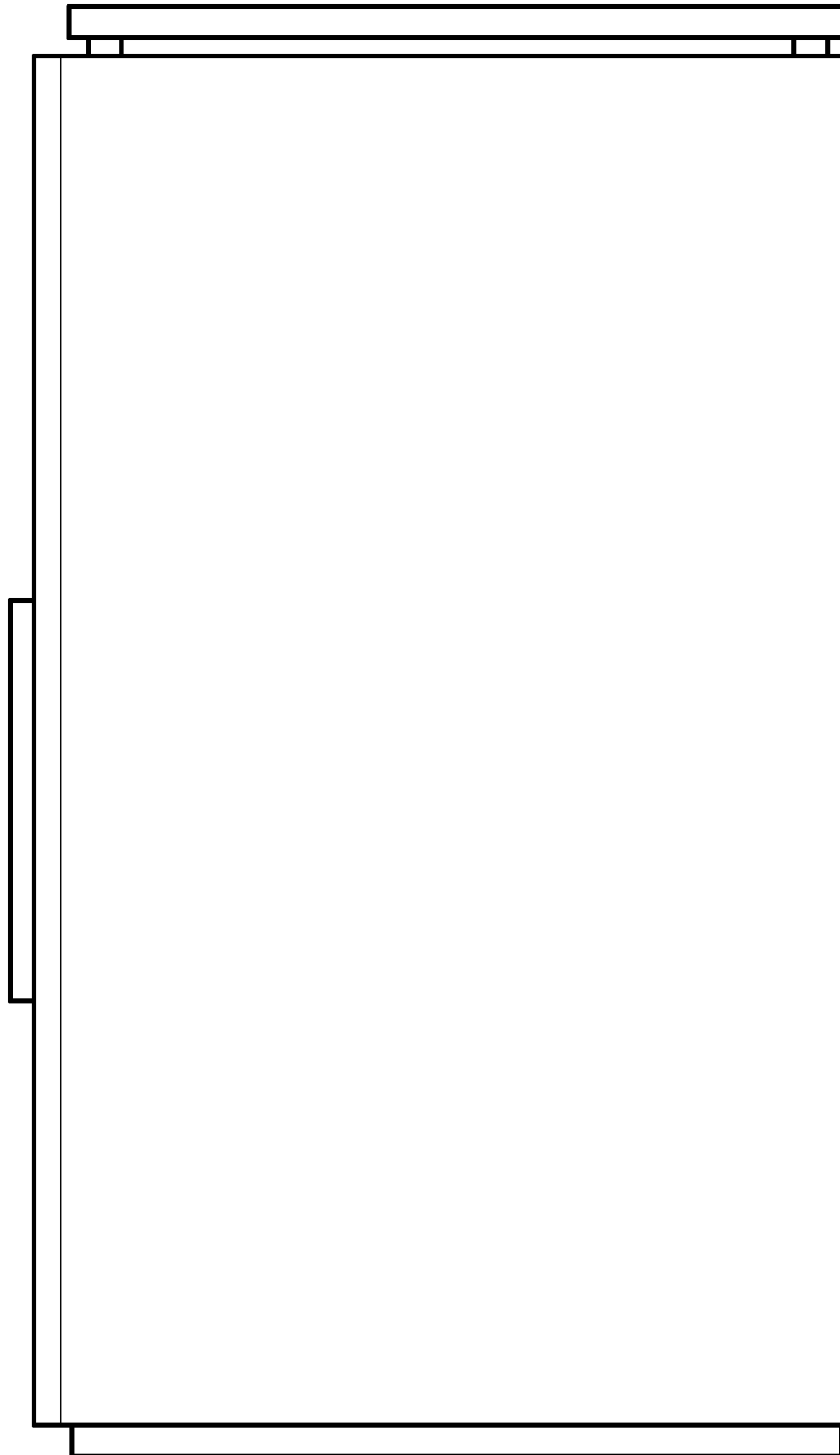


FIG. 5

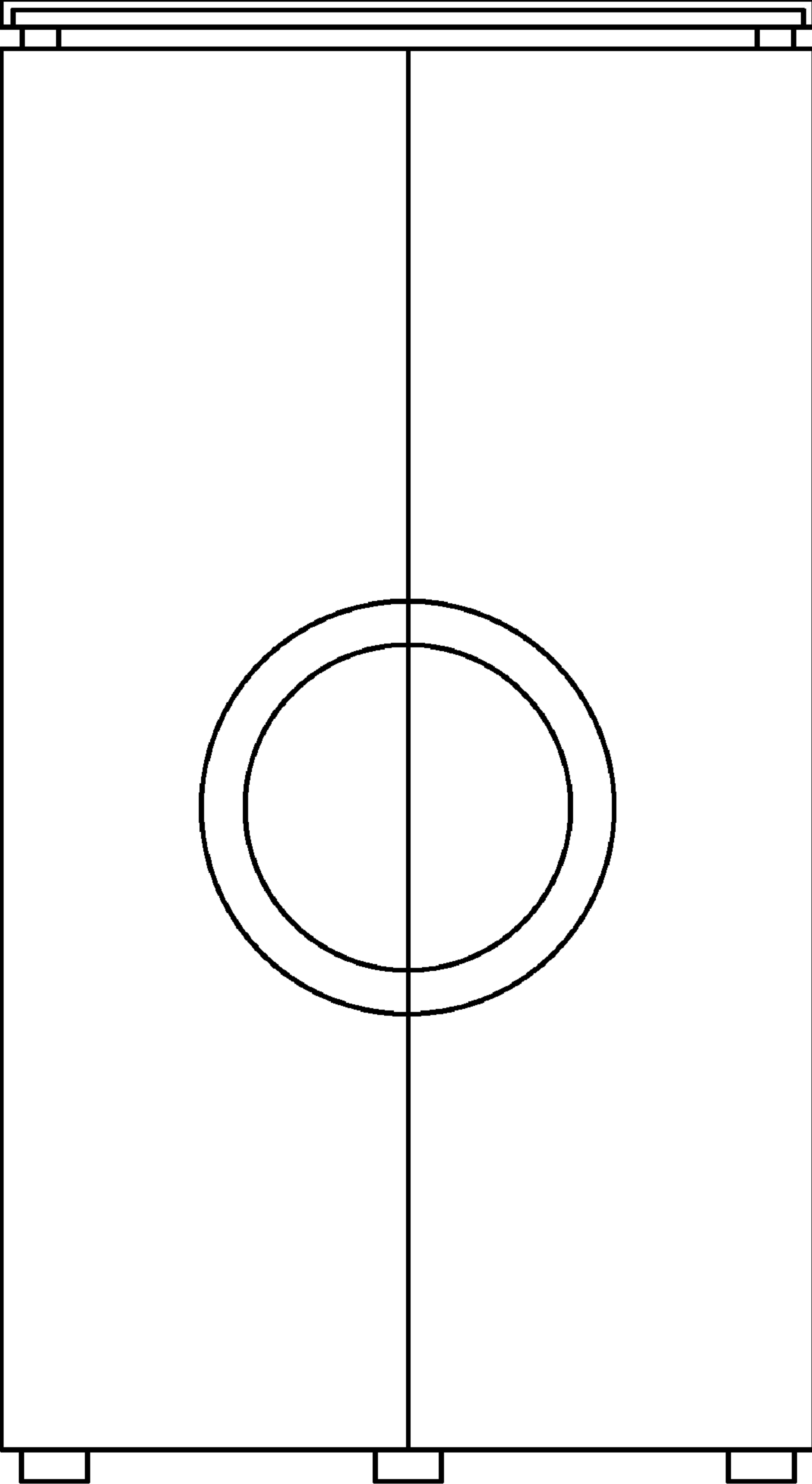


FIG. 6

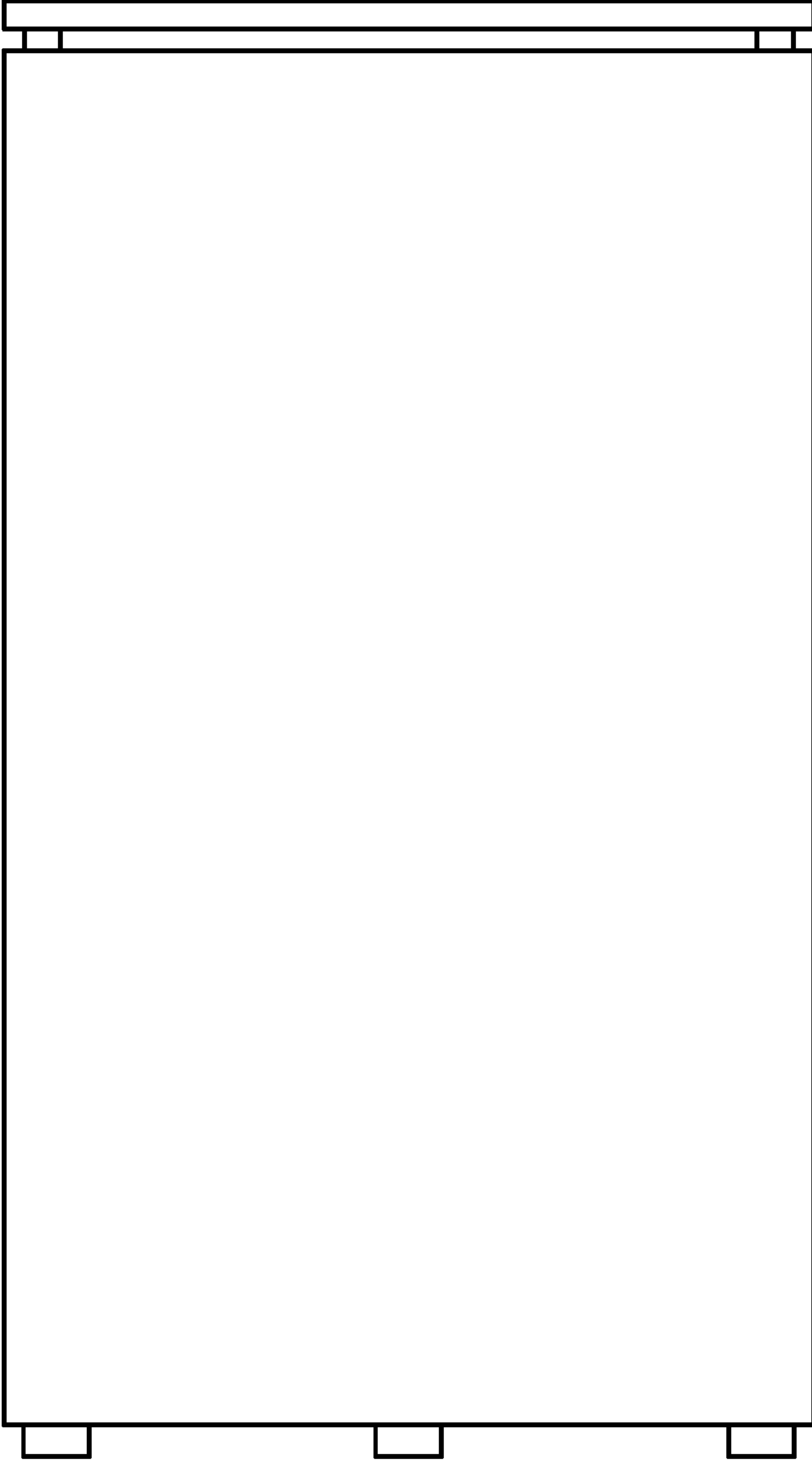


FIG. 7

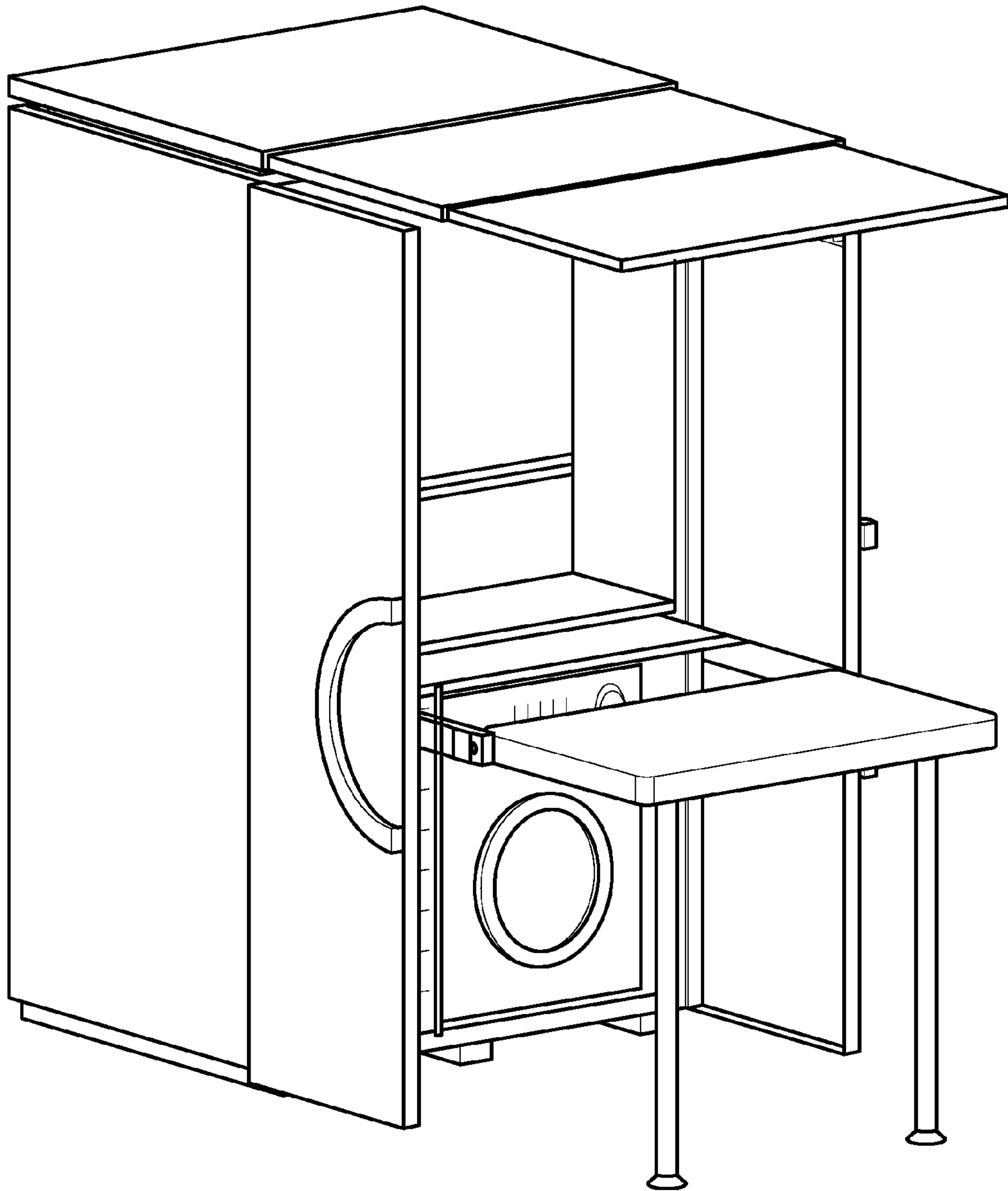


FIG. 8

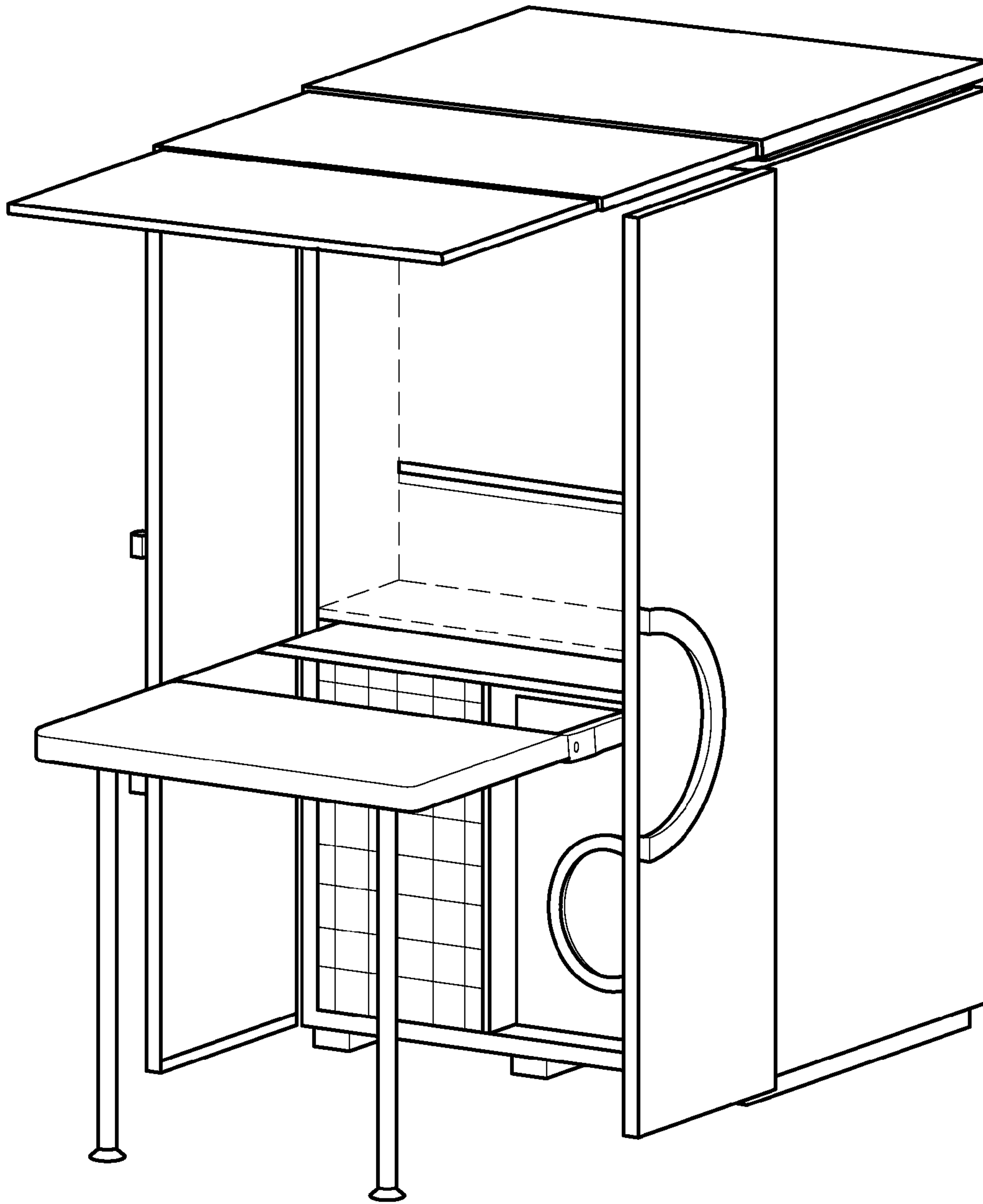


FIG. 9

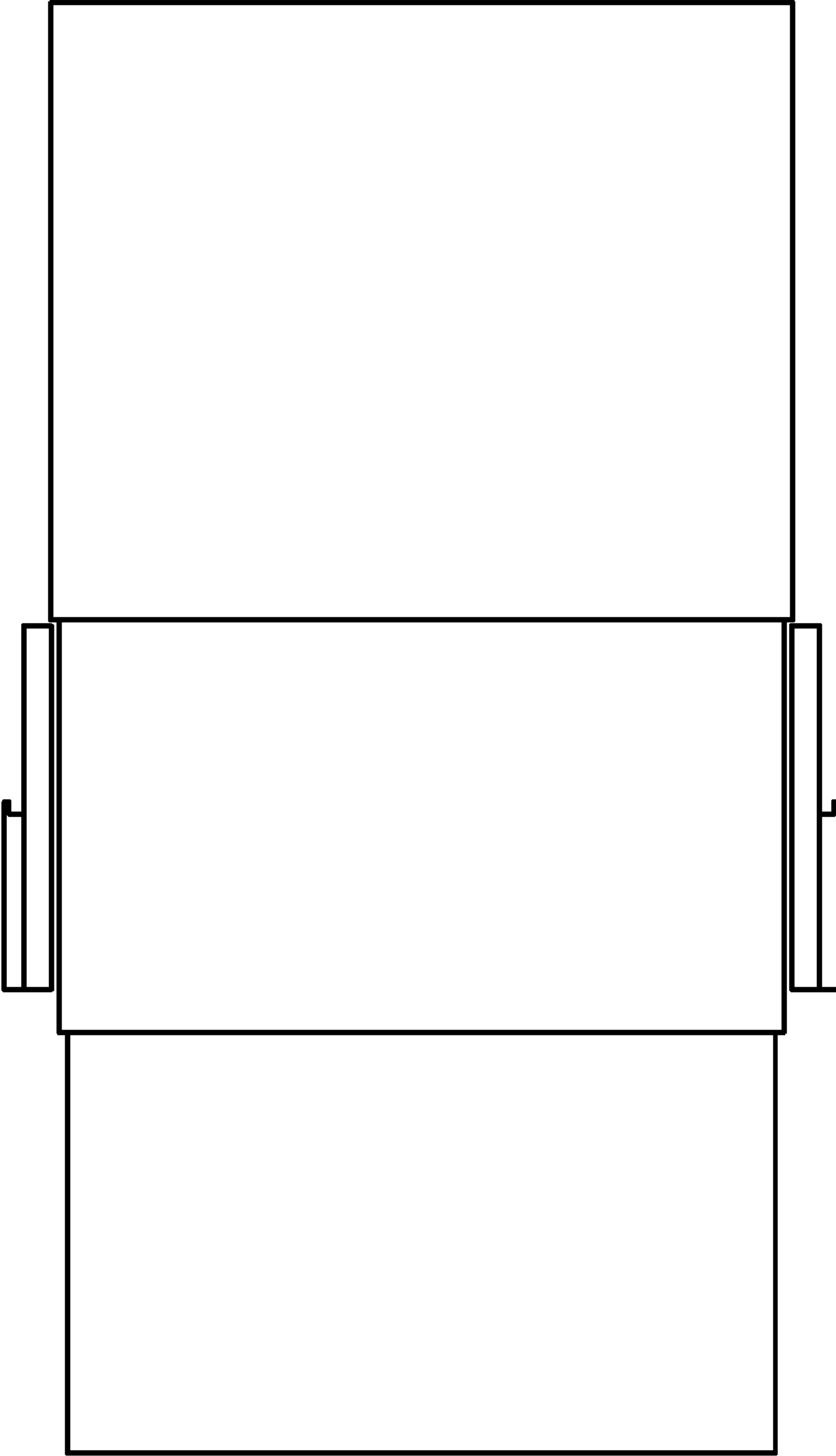


FIG. 10

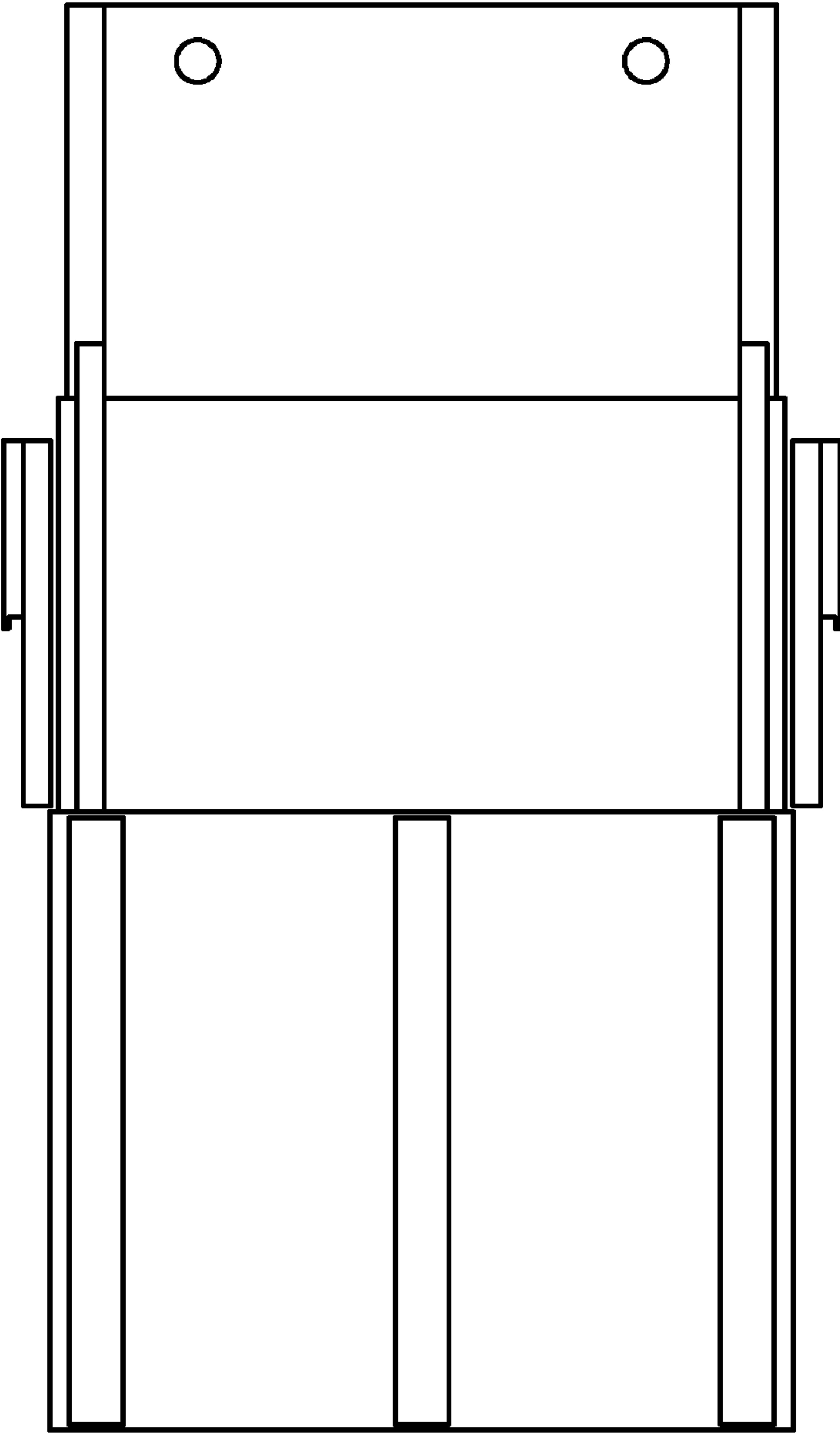


FIG. 11

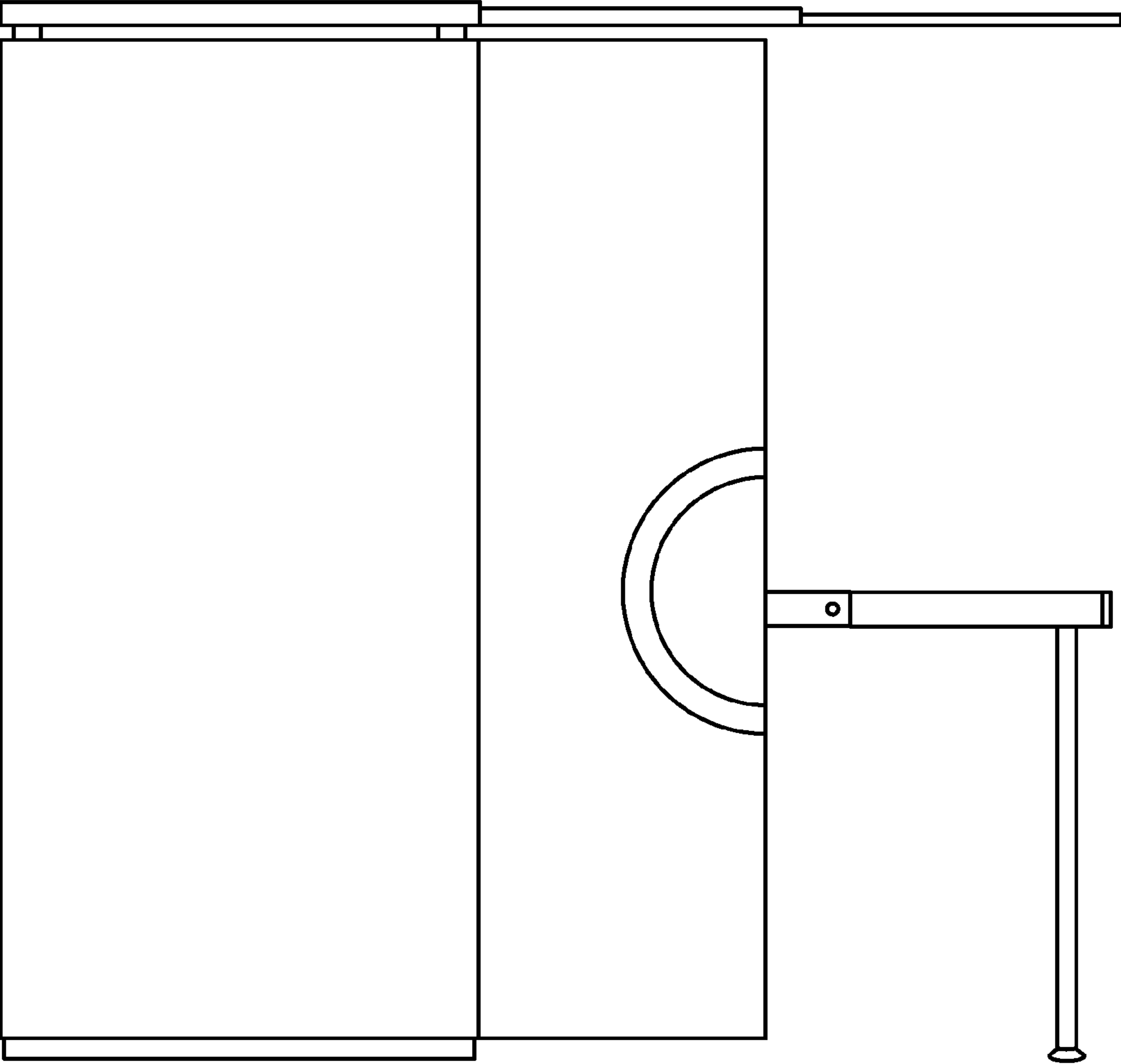


FIG. 12

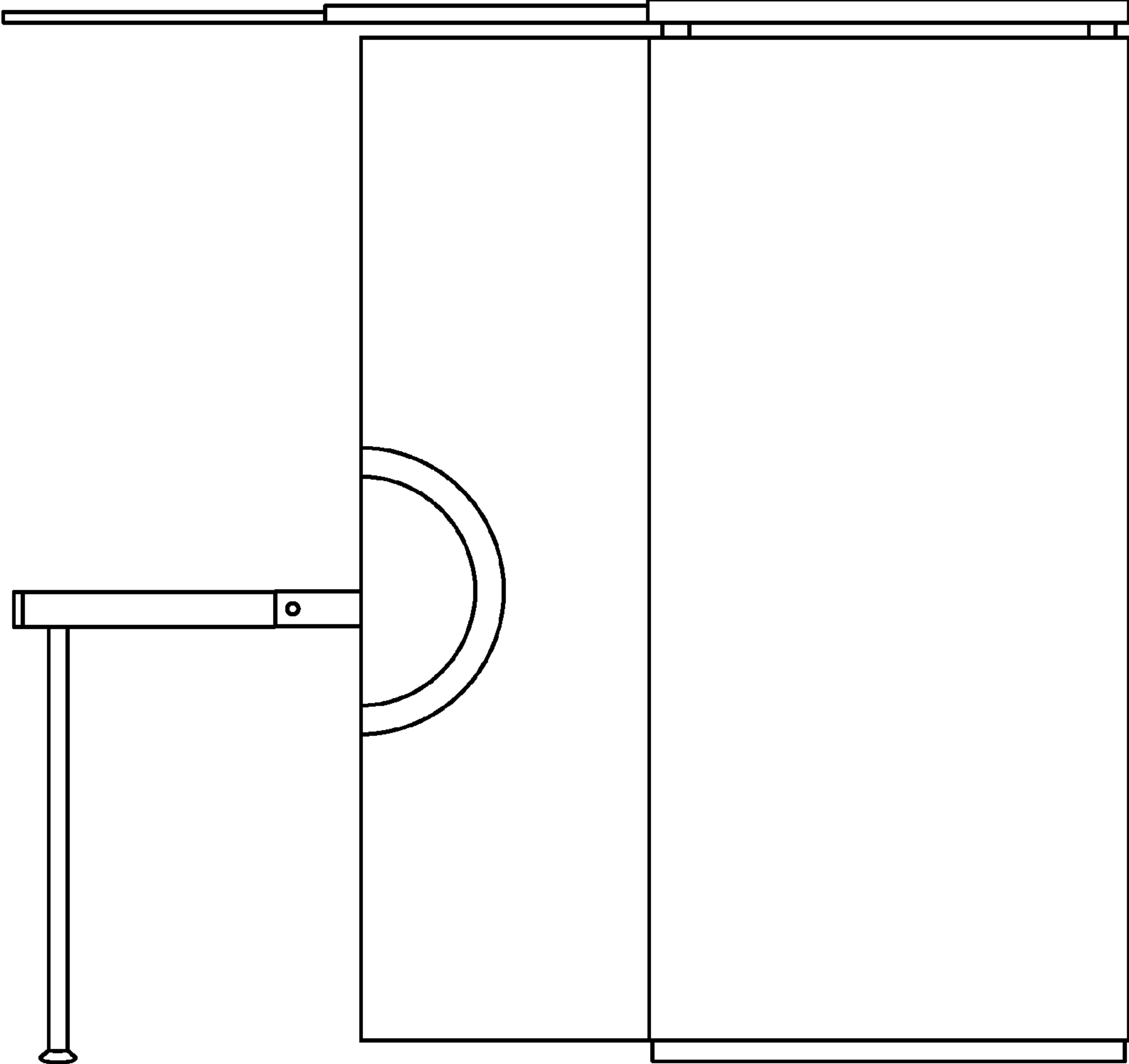


FIG. 13

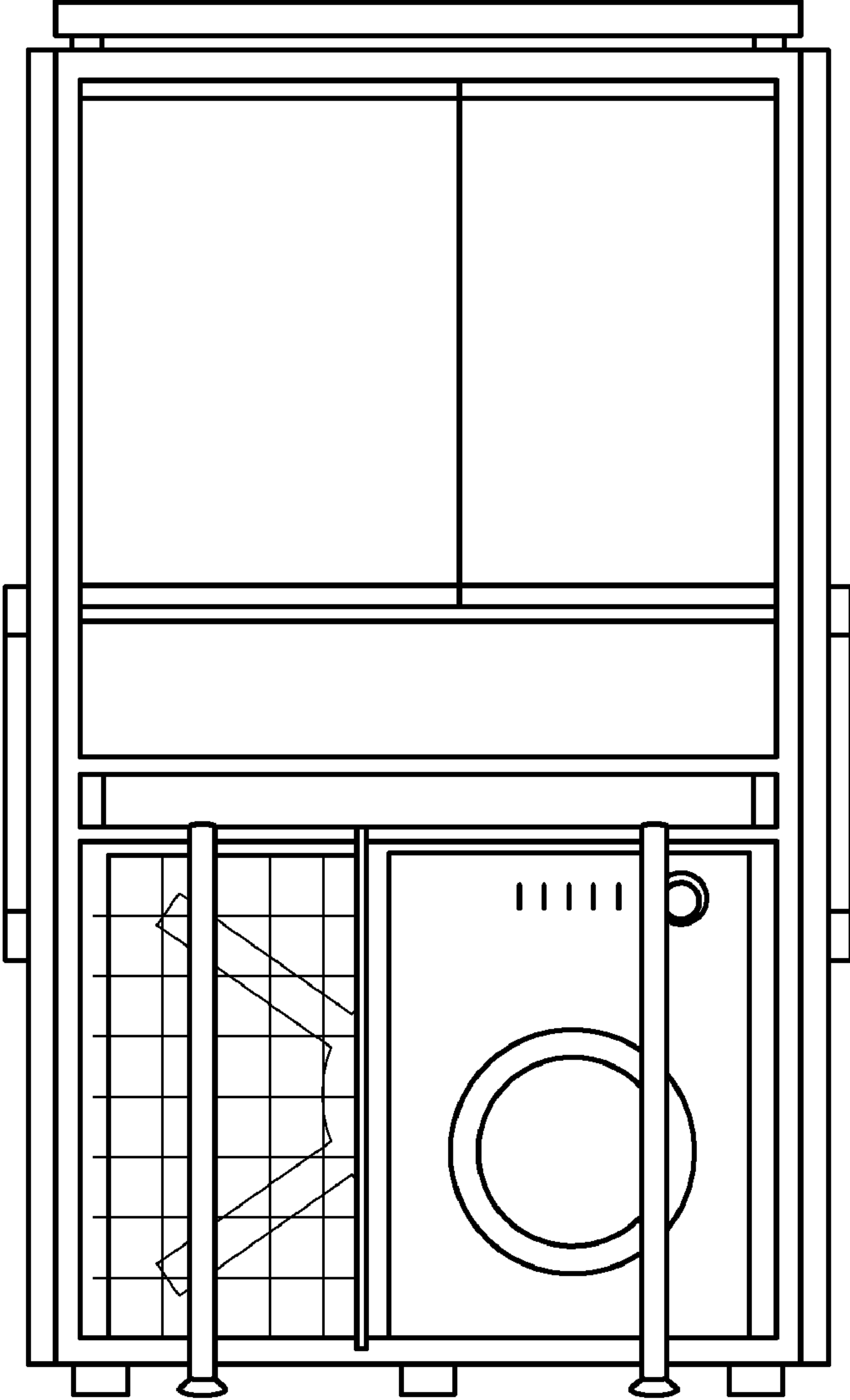


FIG. 14

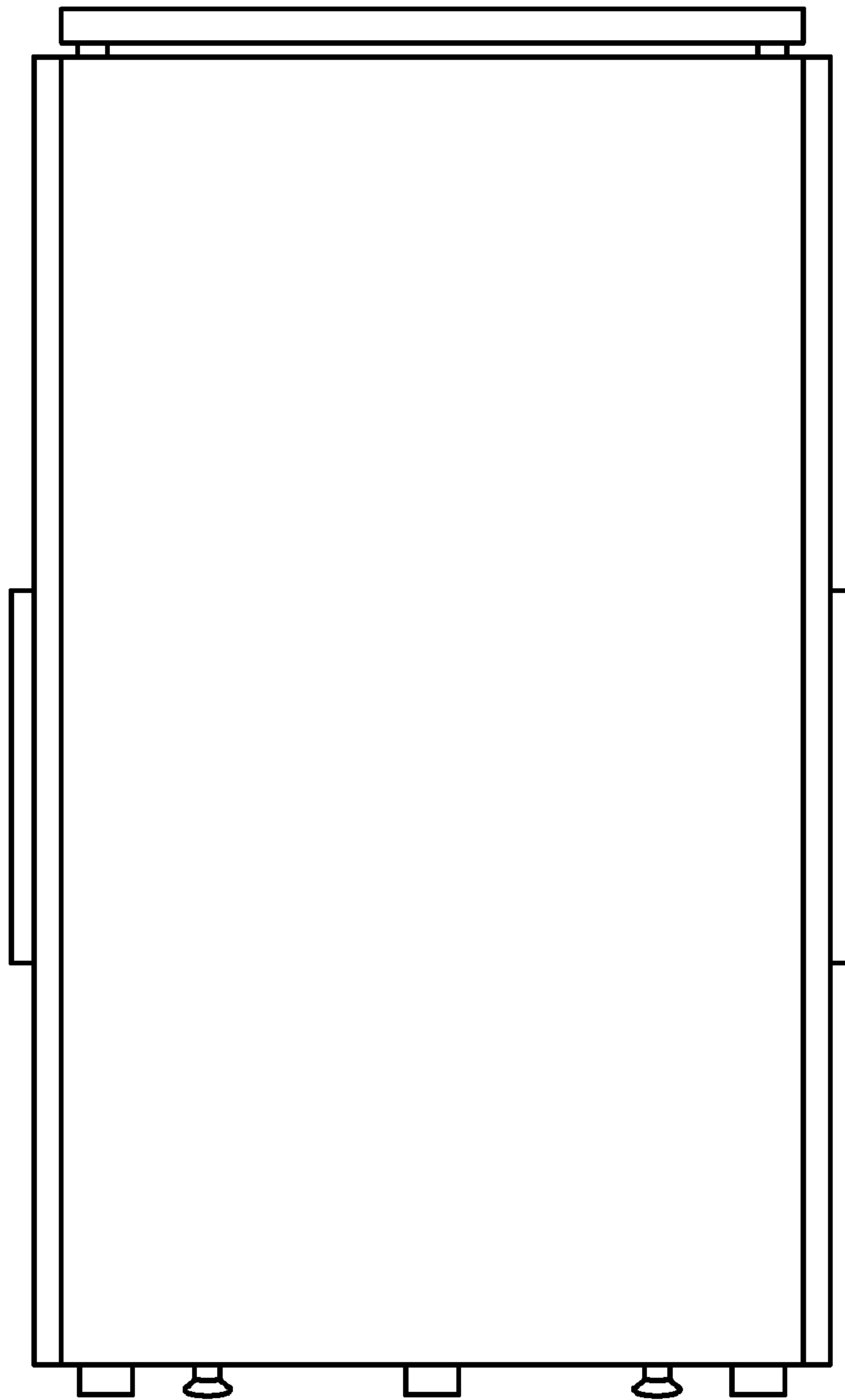


FIG. 15