



US00D623806S

(12) **United States Design Patent**  
**Modi et al.**

(10) **Patent No.:** **US D623,806 S**  
(45) **Date of Patent:** **\*\* Sep. 14, 2010**

(54) **PET FEEDER BOWL**

(75) Inventors: **Siddharth Modi**, New Delhi (IN);  
**Steven Tsengas**, Fairport Harbor, OH  
(US)

(73) Assignee: **OurPet's Company**, Fairport Harbor,  
OH (US)

(\*\*) Term: **14 Years**

(21) Appl. No.: **29/330,559**

(22) Filed: **Jan. 9, 2009**

(51) **LOC (9) Cl.** ..... **30-03**

(52) **U.S. Cl.** ..... **D30/129**

(58) **Field of Classification Search** ..... D30/121,  
D30/122, 129-133; 119/61.5, 51.01, 61.56,  
119/51.03, 59, 62, 63, 51.5, 57.8, 74, 61.54,  
119/61.55; 312/204; 248/151, 188; 108/153.1-157;  
220/23.87, 630, 737, 743, 9.4, 495.01, 574,  
220/212, 255, 28.83; 206/515; D7/586,  
D7/543, 550.1, 587, 505, 584, 545, 500, 553.1-553.8,  
D7/546, 555, 556, 504, 565, 562, 602; D9/429;  
43/109; D22/122; 99/430, DIG. 15  
See application file for complete search history.

(56) **References Cited**

**U.S. PATENT DOCUMENTS**

1,562,620	A *	11/1925	Dill	119/61.1
1,567,234	A *	12/1925	Brucker	249/136
D126,997	S *	5/1941	Bentzen et al.	D30/129
2,338,072	A *	12/1943	Quinn	119/78
2,592,638	A *	4/1952	Andrew	119/61.1
D188,614	S *	8/1960	Niclaus	D7/532
D196,777	S *	11/1963	Haynes	D30/132
D201,670	S *	7/1965	Moore	D30/130
3,491,724	A *	1/1970	Sunner	119/61.54
D221,099	S *	7/1971	Alparone	D7/584
D230,034	S *	1/1974	Goldman et al.	30/129
4,085,706	A *	4/1978	Evans	119/61.54
4,291,648	A *	9/1981	Garvin	119/61.1

4,364,335	A *	12/1982	Livingston	119/61.1
D280,559	S *	9/1985	Bentall	D30/128
4,832,201	A *	5/1989	Kenyon, 2nd	206/515
D302,753	S *	8/1989	Zelinger	D30/129
D304,536	S *	11/1989	Blaser	D7/584
5,203,836	A *	4/1993	Brazis et al.	206/507
D344,210	S *	2/1994	Cousins et al.	D7/538
D477,171	S *	7/2003	Gabbour	D6/582
D507,937	S *	8/2005	Dais et al.	D7/602
D522,809	S *	6/2006	Kusuma et al.	D7/602
D563,608	S *	3/2008	Kitchen	D30/129
D564,711	S *	3/2008	Modi et al.	D30/129
D590,109	S *	4/2009	Anderson et al.	D30/129
D591,590	S *	5/2009	Wilson et al.	D9/428
D591,591	S *	5/2009	Moecks et al.	D9/428
D600,861	S *	9/2009	Sin	D30/129
D601,309	S *	9/2009	Babal	D30/129
D602,651	S *	10/2009	Modi et al.	D30/129
7,654,402	B2 *	2/2010	Kusuma et al.	220/8
2005/0039689	A1 *	2/2005	Mossmer	119/61.5
2005/0127073	A1 *	6/2005	Kusuma et al.	220/6
2005/0127074	A1 *	6/2005	Kusuma et al.	220/6
2006/0005774	A1 *	1/2006	Newman Bornhofen	119/61.5

\* cited by examiner

*Primary Examiner*—Susan Moon Lee

(74) *Attorney, Agent, or Firm*—John D. Gugliotta, PE, Esq.

(57) **CLAIM**

The ornamental design for a pet feeder bowl, as shown and described.

**DESCRIPTION**

FIG. 1 is a front, top perspective view of a pet feeder bowl showing our new design;

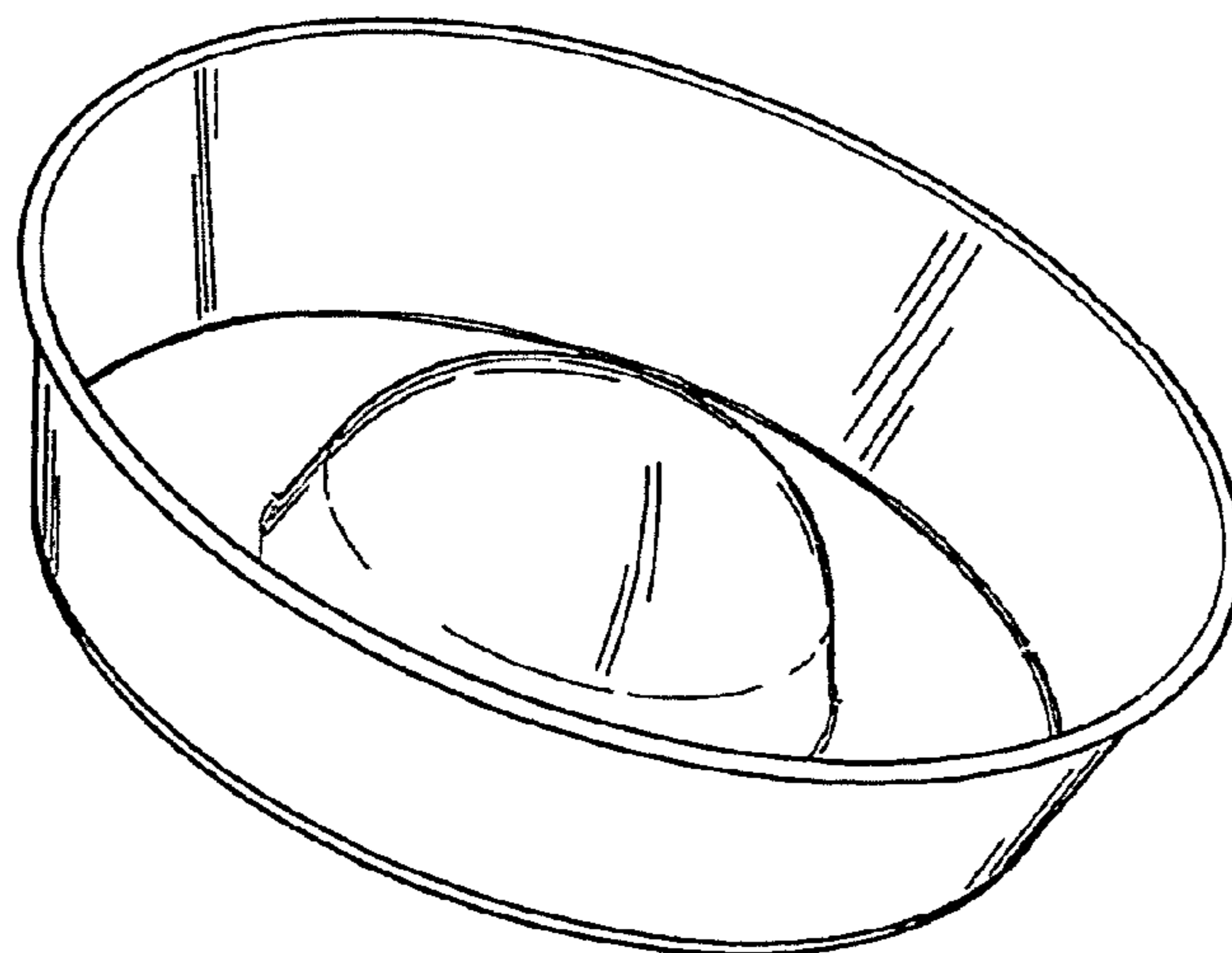
FIG. 2 is a front elevational view, the rear and sides being a mirror image thereof;

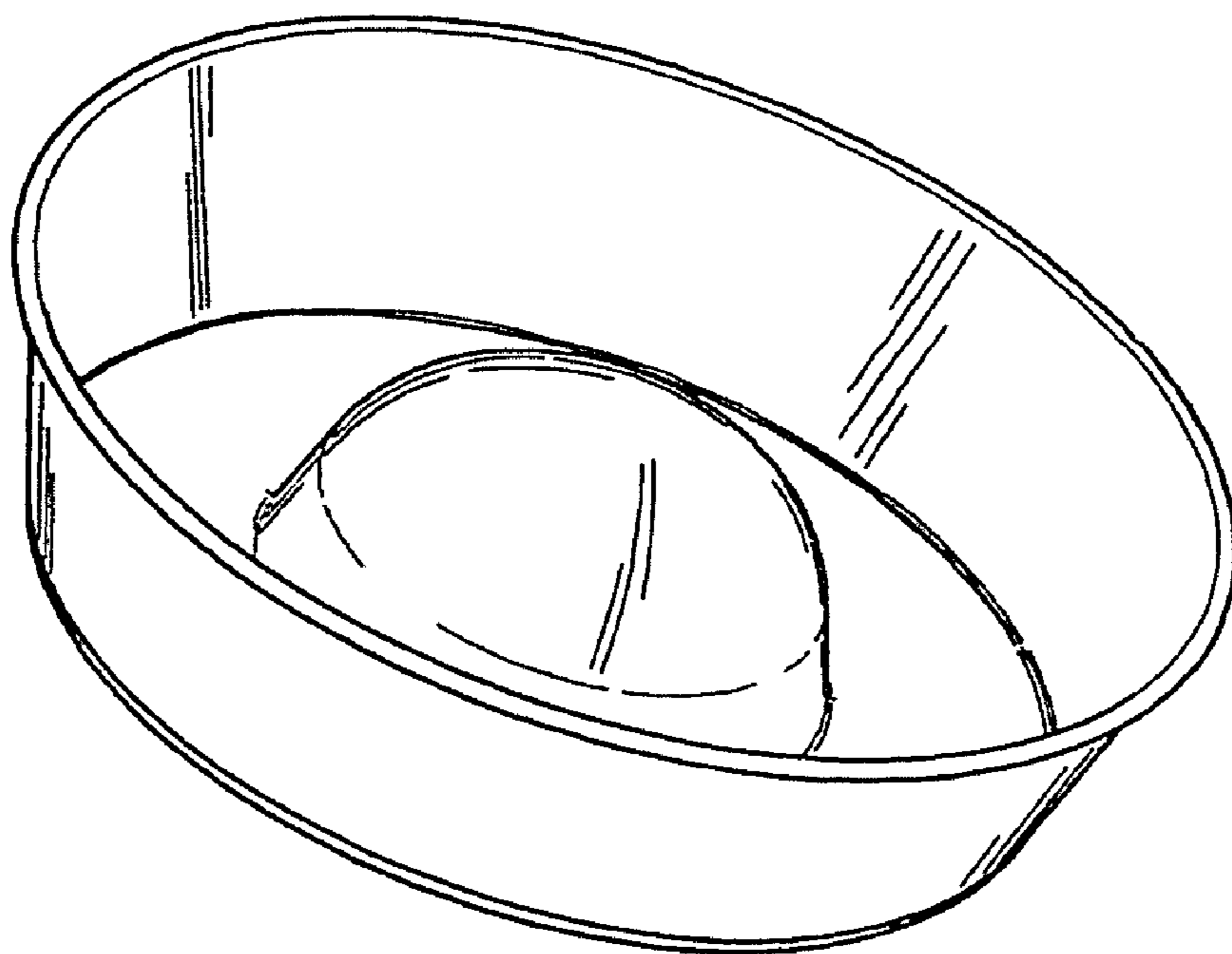
FIG. 3 is a top plan view thereof;

FIG. 4 is a bottom plan view; and,

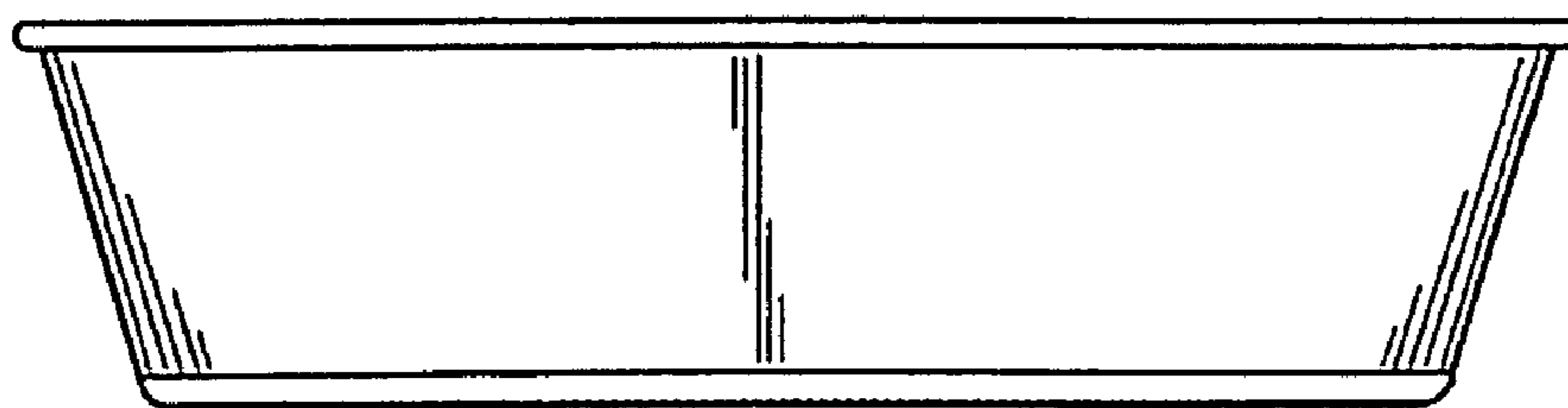
FIG. 5 is a back, rear perspective view thereof.

**1 Claim, 3 Drawing Sheets**





*Fig. 1*



*Fig. 2*

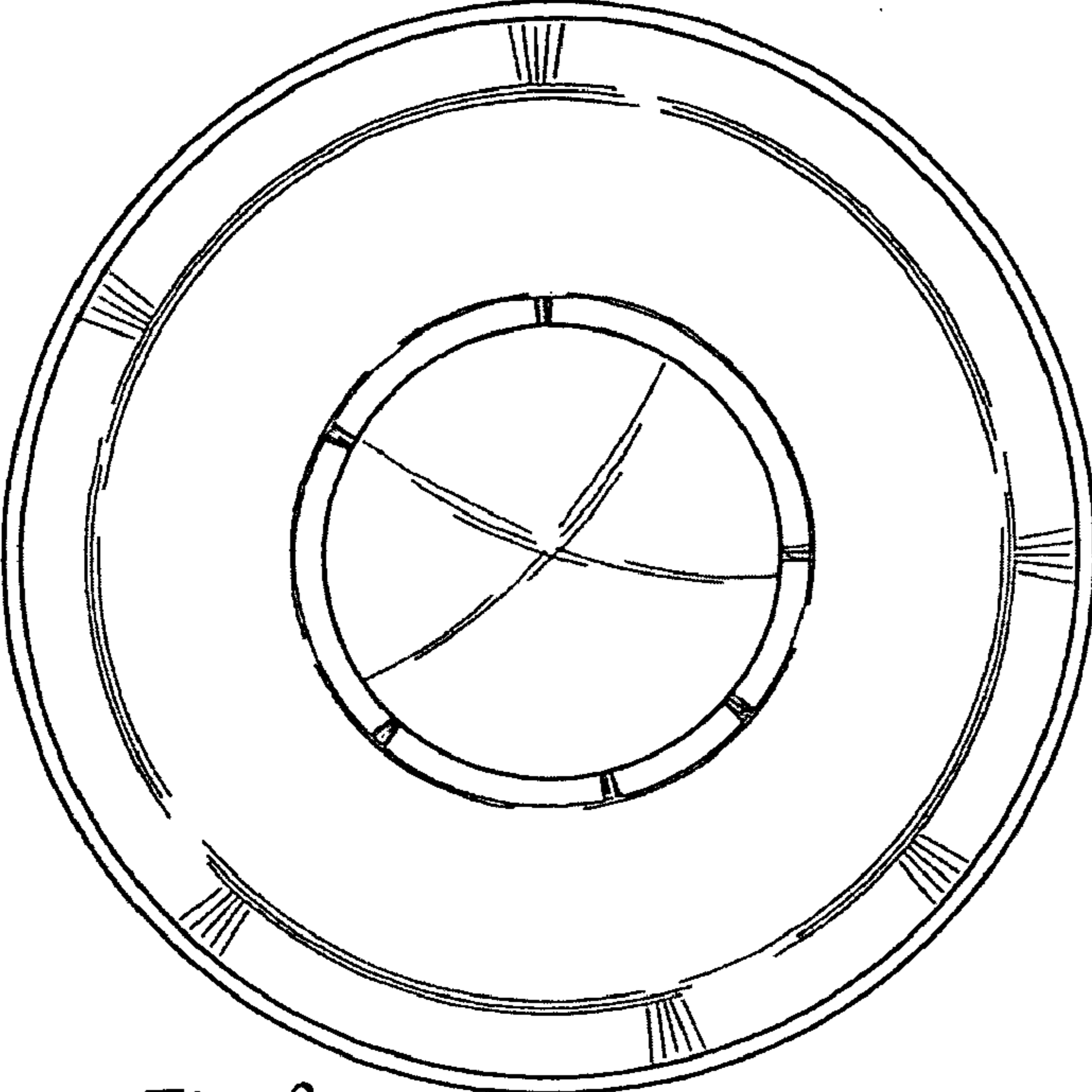


Fig. 3

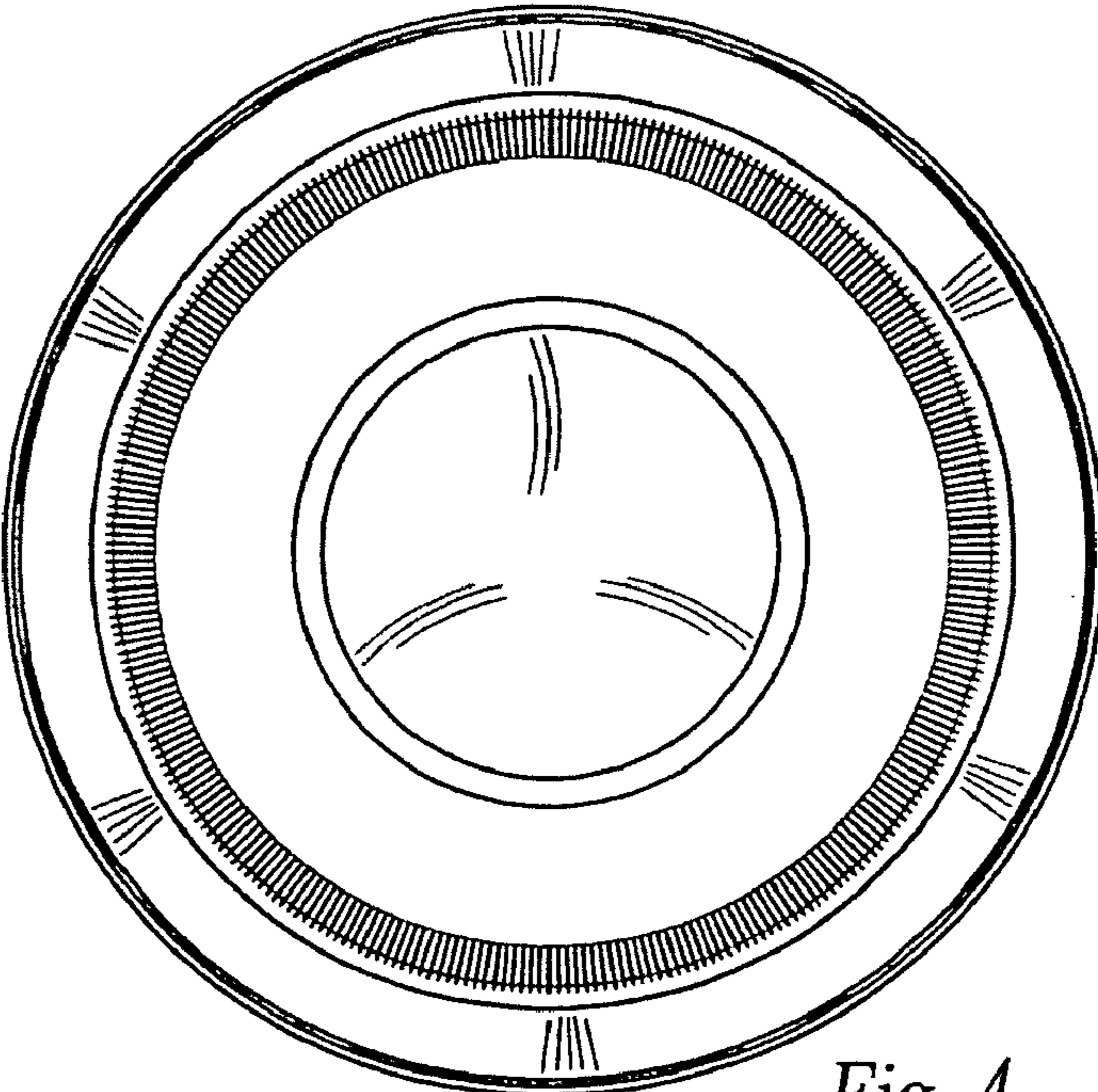
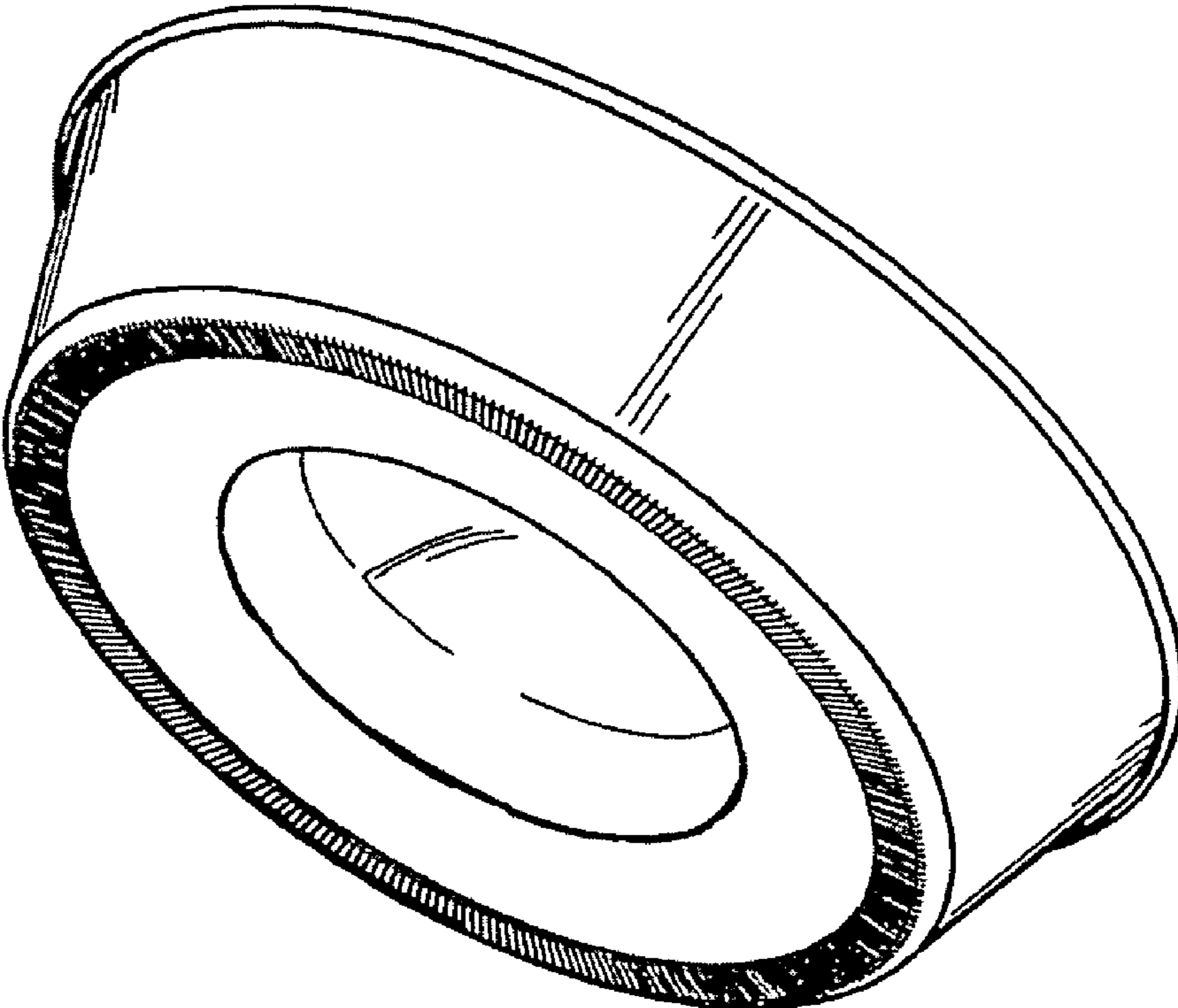


Fig. 4



*Fig. 5*