



US00D623805S

(12) **United States Design Patent**
Vosbikian

(10) **Patent No.:** **US D623,805 S**

(45) **Date of Patent:** **** Sep. 14, 2010**

(54) **MODULAR BIRD FEEDER**

(75) Inventor: **Peter S. Vosbikian**, Moorestown, NJ
(US)

(73) Assignee: **Zenith Innovation, LLC**, Delran, NJ
(US)

(**) Term: **14 Years**

(21) Appl. No.: **29/348,391**

(22) Filed: **Dec. 29, 2009**

(51) **LOC (9) Cl.** **30-03**

(52) **U.S. Cl.** **D30/127**

(58) **Field of Classification Search** D30/121,
D30/124, 126-129, 133, 199, 110-112, 123,
D30/125; 119/52.2, 51.5, 61.5, 57.8, 57.9,
119/52.3, 61.1, 531, 63, 428-435, 52.4, 55,
119/61.3, 69.5, 75, 76; 47/67, 83; 248/318;
D11/164, 152; 211/128.1; D27/123; D6/495,
D6/460, 461, 476, 405

See application file for complete search history.

(56) **References Cited**

U.S. PATENT DOCUMENTS

574,380	A *	1/1897	Bradley	312/135
727,107	A *	5/1903	Donaldson	211/131.1
D53,390	S *	5/1919	Wolski et al.	D6/460
D67,011	S *	4/1925	Clarke	D7/557
1,570,651	A *	1/1926	Topping et al.	108/94
1,575,101	A *	3/1926	Edwards	119/468
D72,702	S *	5/1927	Farber	D7/546
1,749,497	A *	3/1930	McGlashan	119/61.1
1,791,956	A *	2/1931	Cowles	119/431
1,841,494	A *	1/1932	Mears	426/283
1,955,919	A *	4/1934	Kress	108/101
2,081,856	A *	5/1937	Frick	211/131.1
2,082,088	A *	6/1937	Wilson	211/34
2,101,401	A *	12/1937	Leppke	220/23.83
D97,548	S *	11/1938	Davis	D6/451
2,289,212	A *	7/1942	Rinnela	211/131.1
2,298,398	A *	10/1942	Marshaus	119/51.5
D149,046	S *	3/1948	Blementhal et al.	D7/501

2,475,207	A *	7/1949	Smith	119/52.2
D155,949	S *	11/1949	Wiley et al.	D7/501
2,491,014	A *	12/1949	Parker	119/72
D160,688	S *	10/1950	Brock	D7/501
D170,150	S *	8/1953	Cowap	D30/128
D173,658	S *	12/1954	Jones	D30/128
D174,139	S *	3/1955	Sadler	D30/128

(Continued)

Primary Examiner—Susan Moon Lee

(74) *Attorney, Agent, or Firm*—Stuart M. Goldstein

(57) **CLAIM**

The ornamental design for a modular bird feeder, as shown and described.

DESCRIPTION

FIG. 1 is an isometric view of the modular bird feeder design of the present invention.

FIG. 2 is the front view of the modular bird feeder design of the present invention.

FIG. 3 is the rear view of the modular bird feeder design of the present invention.

FIG. 4 is an elevation view of the modular bird feeder design of the present invention.

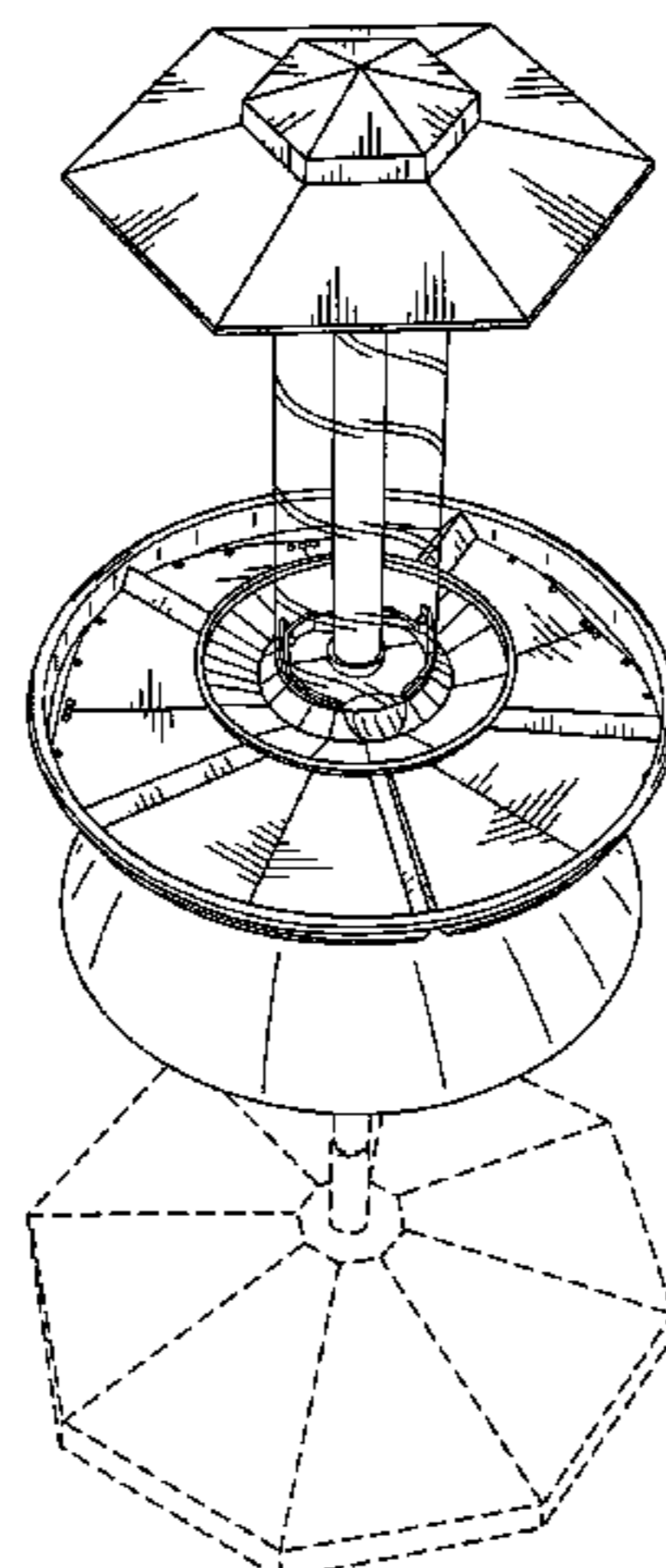
FIG. 5 is the opposite elevation view of the modular bird feeder design of the present invention.

FIG. 6 is a top view of the modular bird feeder design of the present invention; and,

FIG. 7 is the bottom view of the modular bird feeder design of the present invention.

The broken lines in FIGS. 1-7 showing a lower support of the modular bird feeder design of the present invention are included for the purpose of illustrating use and environment and form no part of the claimed design.

1 Claim, 4 Drawing Sheets



US D623,805 S

Page 2

U.S. PATENT DOCUMENTS

2,720,056	A *	10/1955	Levy	47/41.01	5,410,986	A *	5/1995	Washam	119/52.2
2,750,051	A *	6/1956	Wassell	108/103	D360,495	S *	7/1995	Sanderson	D30/123
D179,527	S *	1/1957	Rubin	D6/451	5,458,243	A *	10/1995	McBride	206/503
2,781,651	A *	2/1957	Cutler	248/346.11	5,487,600	A *	1/1996	Griffin	312/135
2,826,171	A *	3/1958	Piel	119/52.1	D367,550	S *	2/1996	Drummond	D30/119
2,891,508	A *	6/1959	Bower	119/52.3	D370,313	S *	5/1996	Nottingham et al.	D30/125
2,951,610	A *	9/1960	Smalley, Jr.	220/575	5,588,395	A *	12/1996	Lee	119/72
2,978,285	A *	4/1961	Jester	312/284	D386,835	S *	11/1997	Passamare	D30/124
3,090,354	A *	5/1963	Merritt et al.	119/52.4	D386,836	S *	11/1997	Hunt	D30/124
D198,096	S *	4/1964	Rosenthal et al.	D7/505	5,711,247	A *	1/1998	Henshaw	119/57.8
3,147,739	A *	9/1964	Shaheen	119/51.5	5,715,954	A *	2/1998	Zaremba	211/107
D199,942	S *	12/1964	Tintary	D6/461	5,772,050	A *	6/1998	Shih	211/39
D200,117	S *	1/1965	Kolarik	D7/590	D399,348	S *	10/1998	Dancyger	D3/313
D200,317	S *	2/1965	Etnyre	D30/128	5,819,766	A *	10/1998	Craigen	132/314
3,282,439	A *	11/1966	Vitale	211/131.1	D401,810	S *	12/1998	Swift	D7/553.6
3,398,827	A *	8/1968	Laskin	206/499	D402,429	S *	12/1998	Schecter	D30/123
3,414,133	A *	12/1968	Guerra et al.	211/107	D402,430	S *	12/1998	Dudley	D30/128
D216,713	S *	3/1970	Buchwach	D6/457	D407,920	S *	4/1999	Duffield	D6/461
D221,883	S *	9/1971	Cash	D7/553.6	D408,231	S *	4/1999	Bohn	D8/1
D226,776	S *	4/1973	Mider	D7/557	5,894,944	A *	4/1999	Swift	211/78
3,734,061	A *	5/1973	Kraus	119/52.2	5,918,415	A *	7/1999	Locke et al.	47/79
D230,001	S *	1/1974	Wright	D7/553.6	5,937,787	A *	8/1999	Kopis	119/57.8
3,811,594	A *	5/1974	Paulucci	220/575	5,960,982	A *	10/1999	Perlis et al.	220/574
D233,709	S *	11/1974	Williams	D6/460	D420,854	S *	2/2000	Michaeli	D7/553.6
D234,475	S *	3/1975	Markus	D6/450	D421,549	S *	3/2000	Hints	D7/555
3,901,192	A *	8/1975	Adams	119/57.9	D427,732	S *	7/2000	Corletta	D30/124
D237,762	S *	11/1975	Hendry	D6/457	D428,537	S *	7/2000	Miller	D30/124
D237,915	S *	12/1975	Molenaar	D6/457	6,167,840	B1 *	1/2001	White et al.	119/61.53
3,951,079	A *	4/1976	Tolleson	108/94	6,196,400	B1 *	3/2001	Alneng	211/144
D240,384	S *	7/1976	Rumber et al.	D6/457	D444,676	S *	7/2001	Murphy	D7/553.6
3,986,244	A *	10/1976	Latanzi	29/407.04	6,253,706	B1 *	7/2001	Sloop	119/57.9
3,999,519	A *	12/1976	Rodemeyer	119/475	D453,263	S *	2/2002	Wogan	D3/10
4,006,559	A *	2/1977	Carlyon, Jr.	47/39	D453,883	S *	2/2002	Conde	D6/455
D244,786	S *	6/1977	Dryden	D30/128	D460,897	S *	7/2002	Leuenberger	D7/553.8
4,181,037	A *	1/1980	Boon et al.	74/569	D471,327	S *	3/2003	Kuelbs	D30/125
4,273,393	A *	6/1981	Foley et al.	312/97.1	6,561,128	B1 *	5/2003	Carter	119/57.9
D260,464	S *	9/1981	Alexander	D6/455	D478,246	S *	8/2003	Villano et al.	D7/359
4,327,669	A *	5/1982	Blasbalg	119/57.8	D480,581	S *	10/2003	Searer	D6/455
4,453,326	A *	6/1984	Hoffman et al.	40/377	D485,930	S *	1/2004	Chen	D26/67
4,486,640	A *	12/1984	Bowen et al.	219/729	D490,576	S *	5/2004	Rich et al.	D30/128
D277,703	S *	2/1985	Kilham	D30/128	D496,831	S *	10/2004	Strahota et al.	D7/600.3
4,501,201	A *	2/1985	Fitzner et al.	108/27	6,805,366	B1 *	10/2004	Seara	280/47.26
4,534,471	A *	8/1985	Zahn et al.	211/39	6,883,887	B1 *	4/2005	Mogensen	312/408
4,549,664	A *	10/1985	Gowan et al.	211/131.1	D504,746	S *	5/2005	Lee	D30/124
D281,406	S *	11/1985	Guenat	D11/153	D511,273	S *	11/2005	Hadeler	D7/553.6
4,628,865	A *	12/1986	Lehmann	119/57.9	6,971,613	B2 *	12/2005	Shendelman	248/150
D289,210	S *	4/1987	Tucker et al.	D30/125	6,986,322	B2 *	1/2006	Lumpkin et al.	119/52.3
D289,211	S *	4/1987	Riha	D30/125	7,017,517	B2 *	3/2006	Paquette	119/51.01
D292,953	S *	12/1987	Cave	D6/405	D523,184	S *	6/2006	Colvin et al.	D30/128
4,736,856	A *	4/1988	Alneng et al.	211/131.1	7,100,793	B2 *	9/2006	Baum	221/15
D297,191	S *	8/1988	Frieden, Jr.	D6/461	D541,993	S *	5/2007	Colvin et	D30/128
D303,750	S *	10/1989	Inglis	D8/1	7,234,416	B2 *	6/2007	Hoff	119/57.9
4,896,628	A *	1/1990	Kadunce	119/52.2	D546,128	S *	7/2007	Carlson	D7/554.2
D307,088	S *	4/1990	Frieden, Jr.	D6/570	D561,539	S *	2/2008	Snider et al.	D7/600.2
D307,988	S *	5/1990	Newfield	D6/450	D564,712	S *	3/2008	Cole et al.	D30/131
4,986,219	A *	1/1991	Harris	119/57.8	D573,847	S *	7/2008	Bizzell et al.	D7/629
D314,294	S *	2/1991	Axhamre	D6/458	7,409,922	B1 *	8/2008	Baynard et al.	119/52.3
4,989,419	A *	2/1991	Brando et al.	62/457.2	D582,102	S *	12/2008	Roes	D30/132
D320,097	S *	9/1991	Vajtay	D30/127	7,523,833	B2 *	4/2009	Zipeto et al.	211/78
D325,483	S *	4/1992	Muhlack	D6/472	D592,017	S *	5/2009	Bizzell	D7/629
D326,003	S *	5/1992	Embree	D30/128	7,530,330	B1 *	5/2009	Valle	119/69.5
5,171,077	A *	12/1992	Jondahl et al.	312/249.3	D609,864	S *	2/2010	Tsai	D30/127
5,195,463	A *	3/1993	Lorenzana et al.	119/77	D611,662	S *	3/2010	Vosbikian	D30/128
D335,006	S *	4/1993	Blasbalg	D30/127	D616,671	S *	6/2010	Biraghi	D6/455
D336,216	S *	6/1993	Rohrbeck	D7/553.6	D617,579	S *	6/2010	Biraghi	D6/455
5,279,429	A *	1/1994	Sagel	211/131.1	2005/0005862	A1 *	1/2005	Paquette	119/51.01
5,287,973	A *	2/1994	Bankier	211/113	2005/0257749	A1 *	11/2005	Kuelbs	119/57.8
D351,507	S *	10/1994	Gregory	D7/335	2007/0062965	A1 *	3/2007	Anderson et al.	220/912
D352,204	S *	11/1994	Hayes et al.	D7/553.6	2008/0127902	A1 *	6/2008	Bent N. et al.	119/52.3
D354,869	S *	1/1995	Salyer	D6/457	2008/0302304	A1 *	12/2008	Mayfield	119/51.01

* cited by examiner

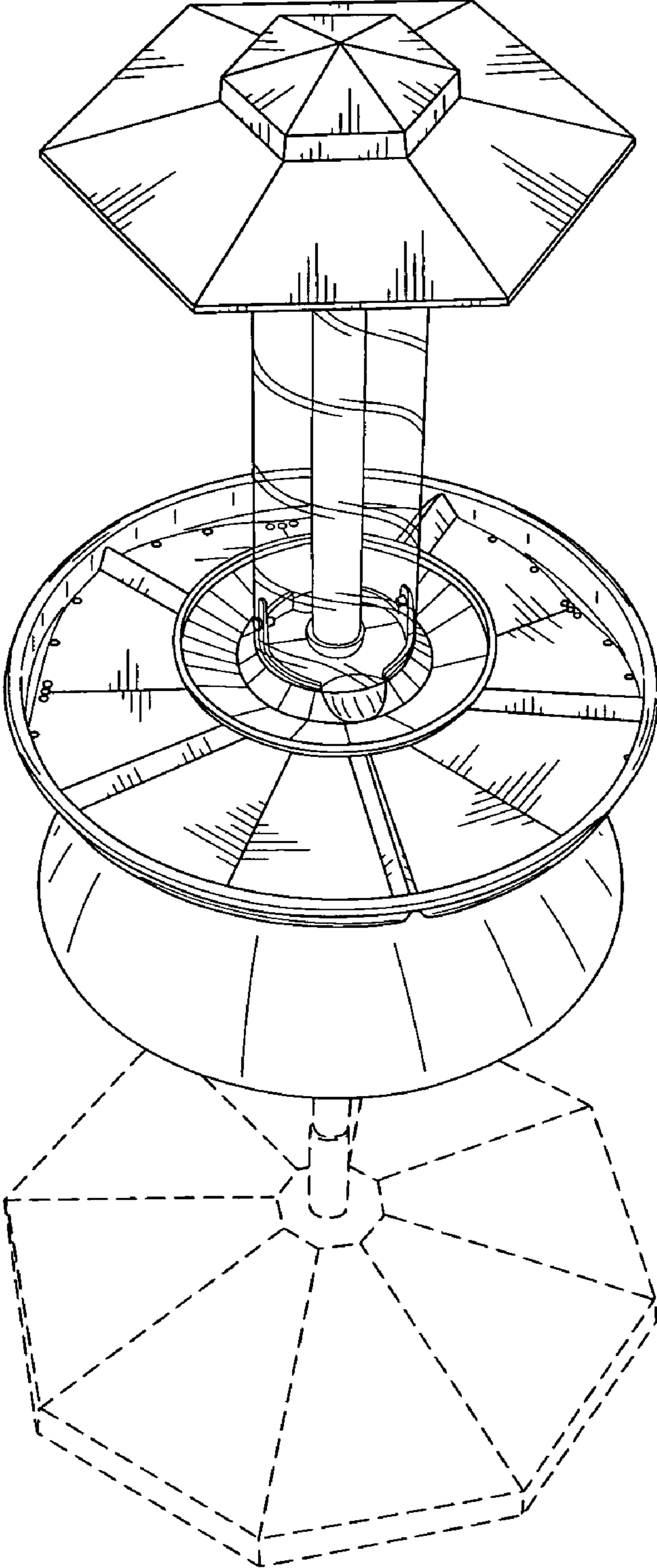


FIG. 1

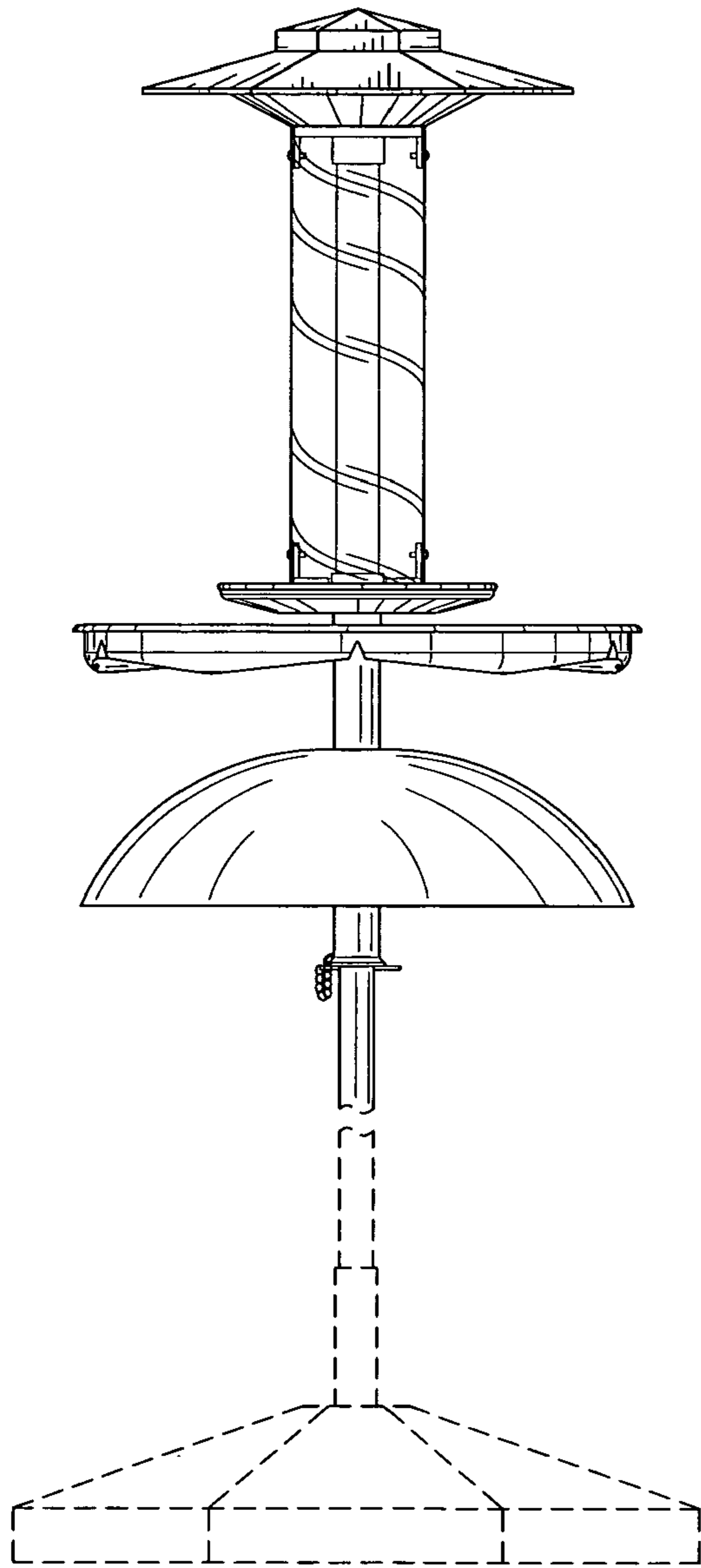


FIG. 2

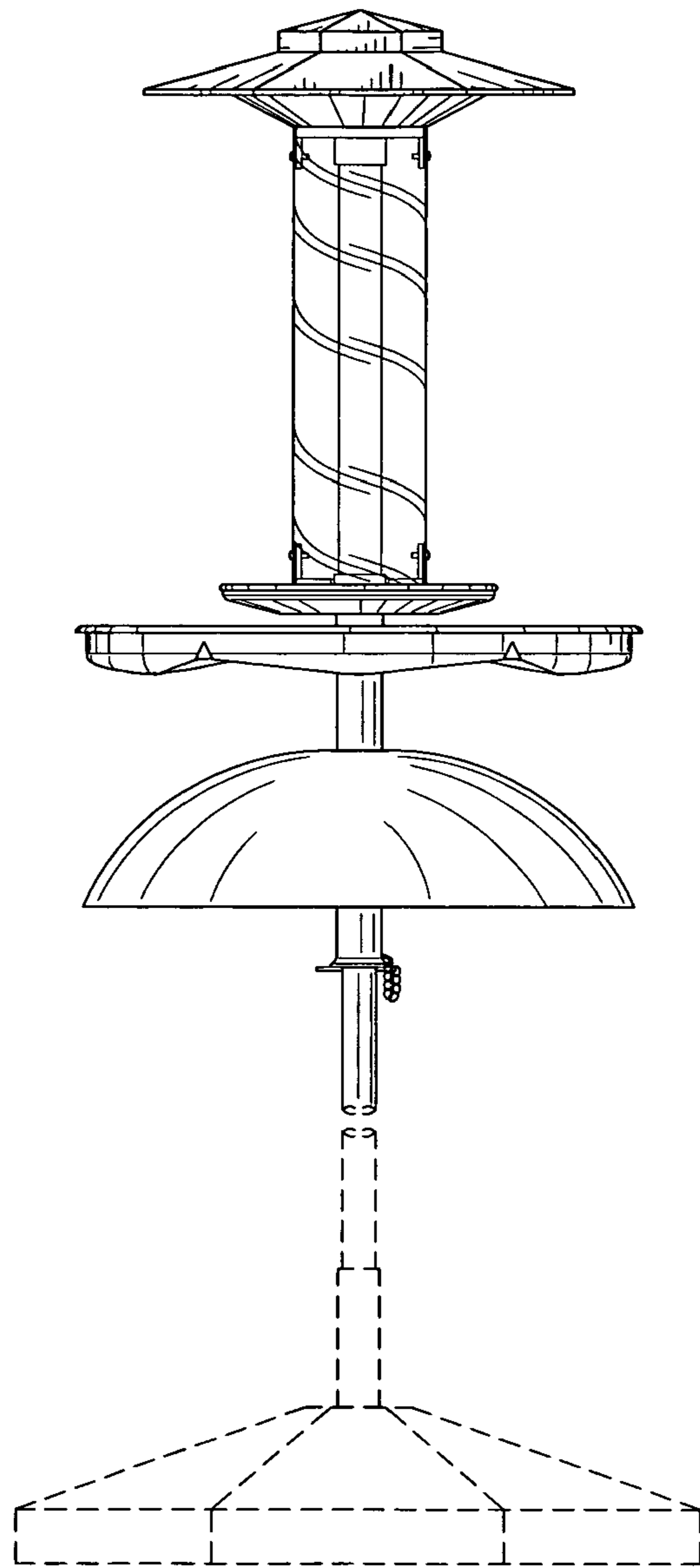


FIG. 3

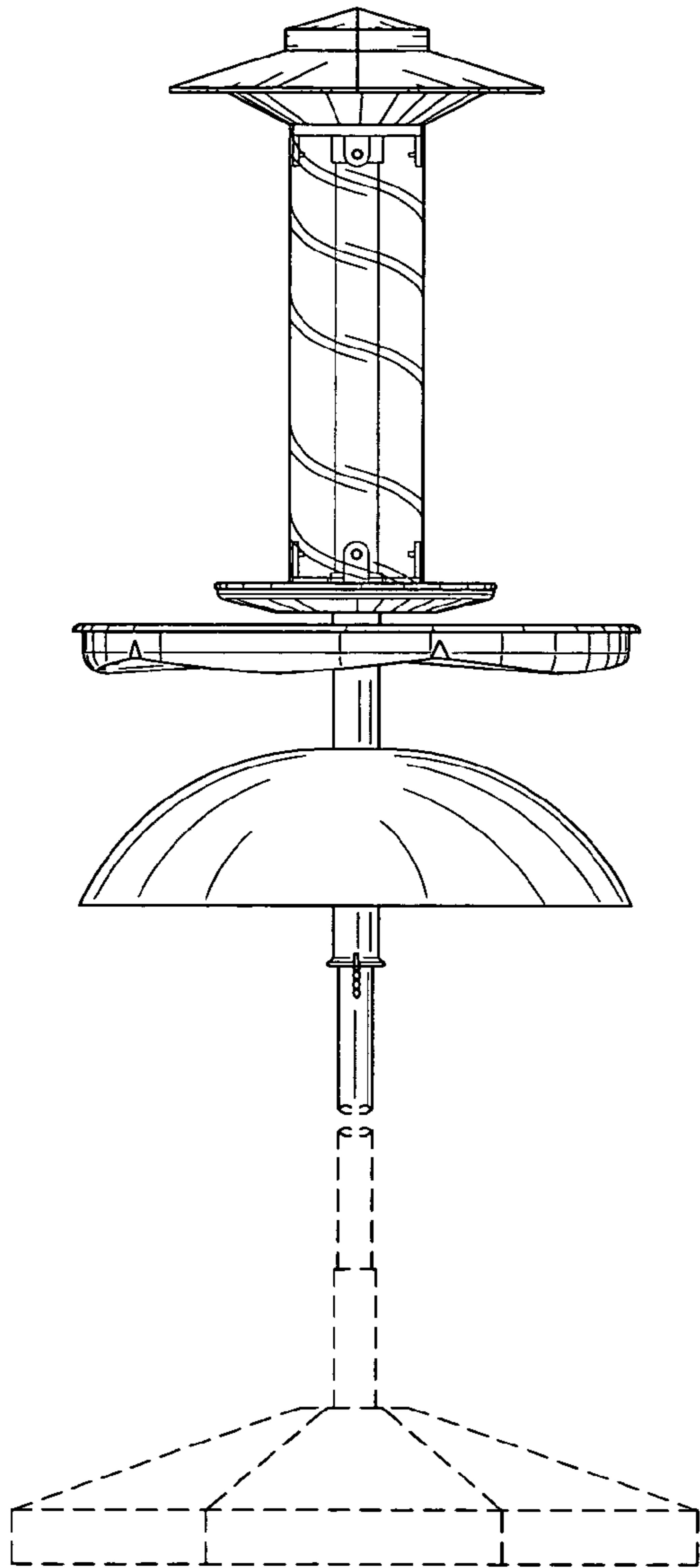


FIG. 4

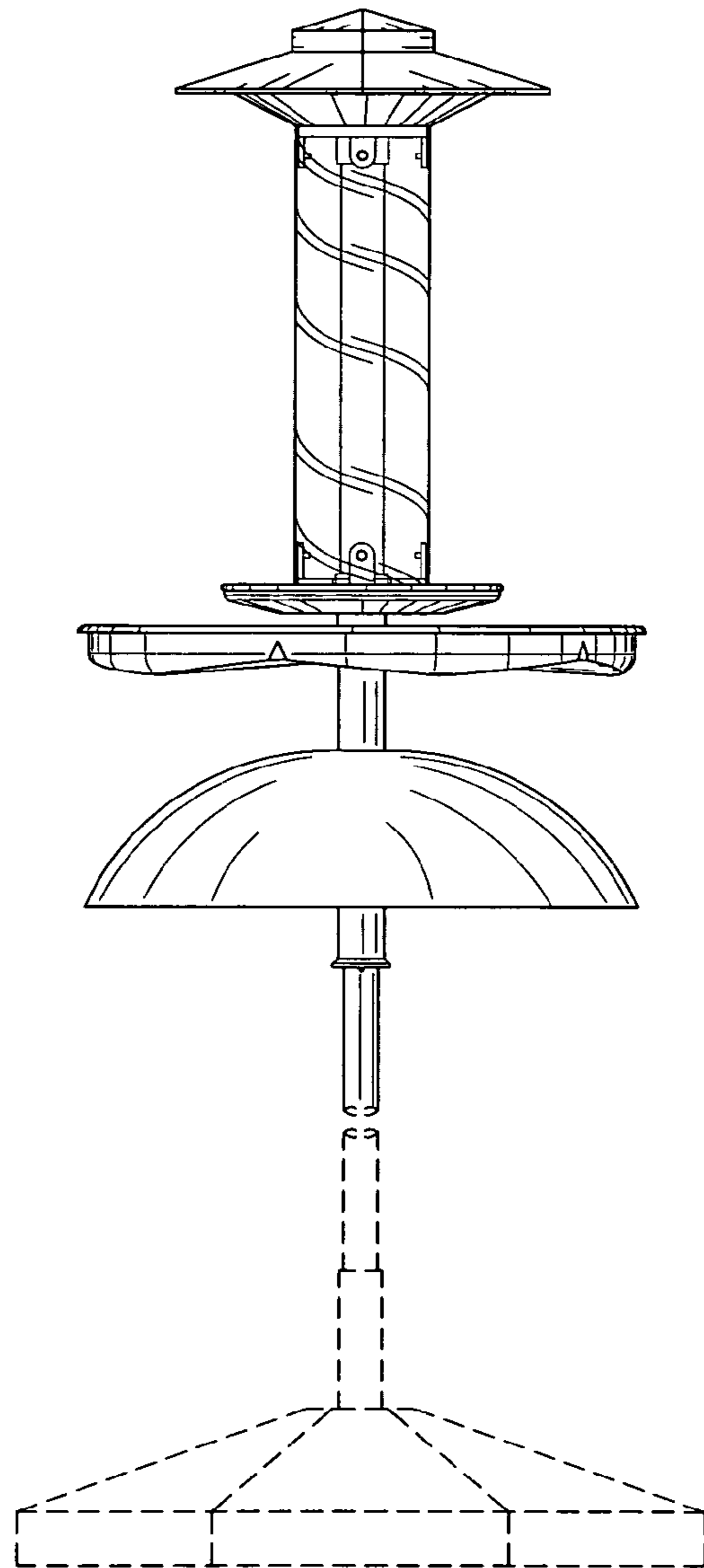


FIG. 5

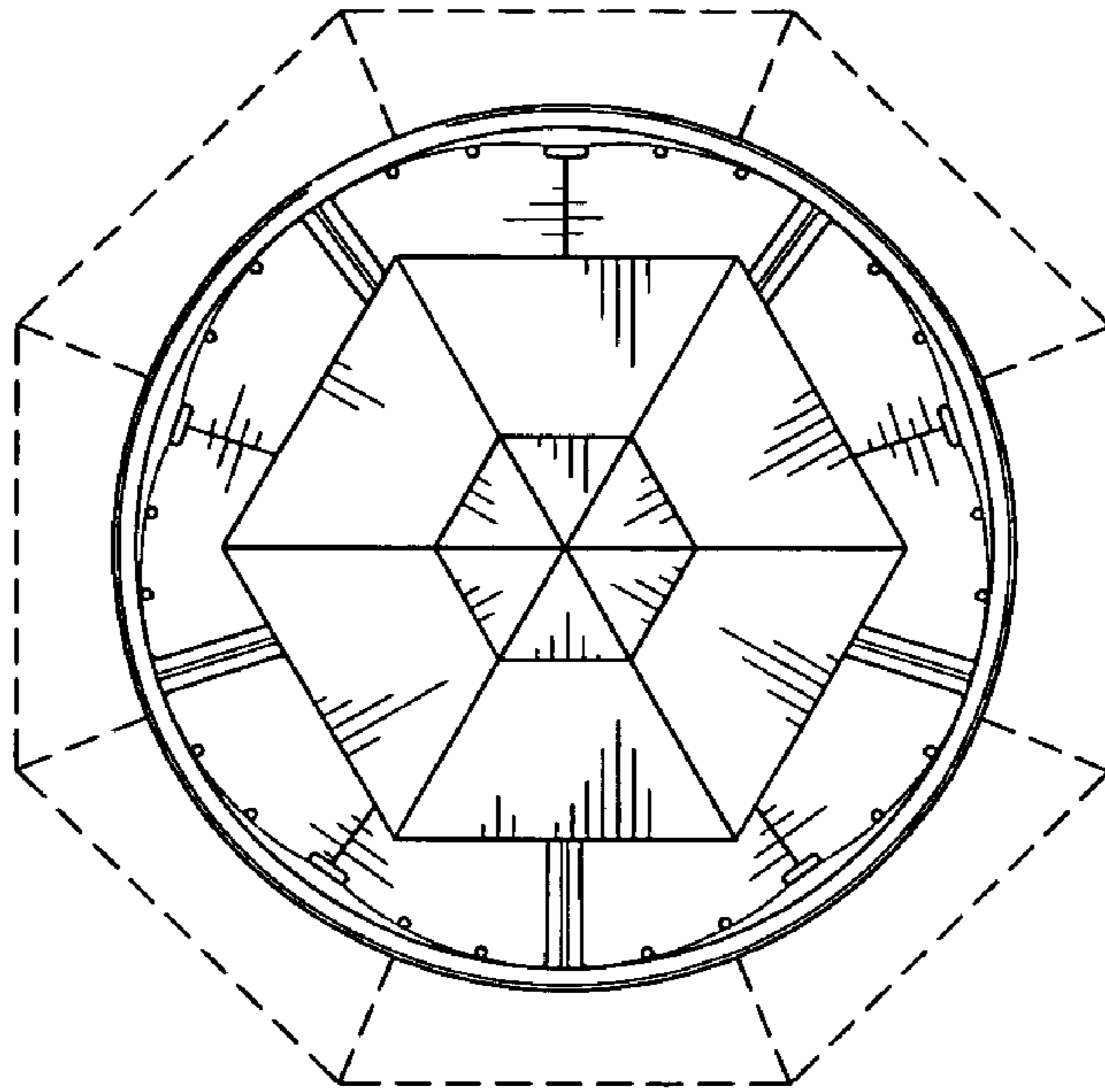


FIG. 6

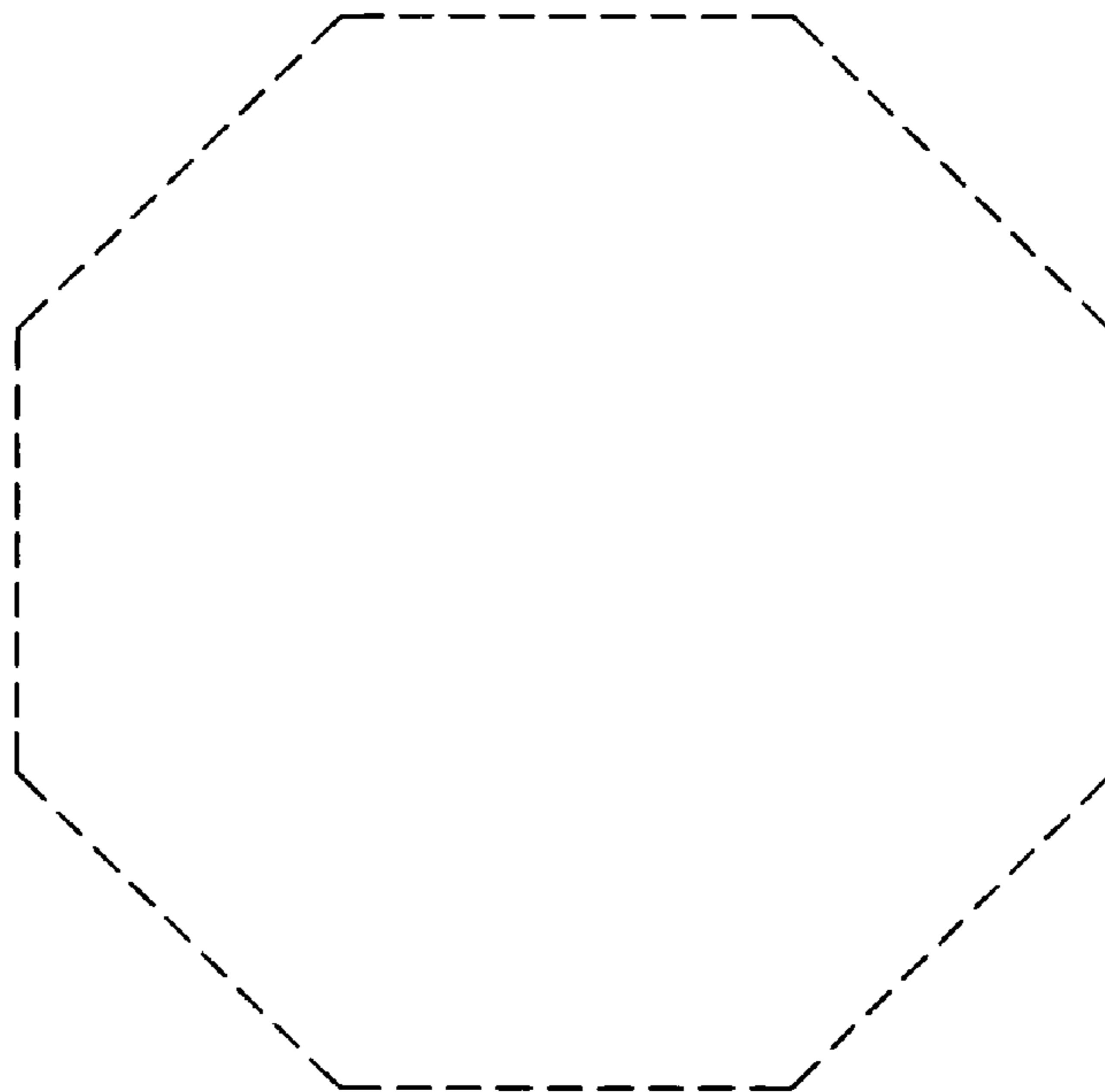


FIG. 7