



US00D623804S

(12) **United States Design Patent**  
**Deeley**

(10) **Patent No.:** **US D623,804 S**  
(45) **Date of Patent:** **\*\* Sep. 14, 2010**

(54) **STABLE BANK SYSTEM**  
(75) Inventor: **John Inston Deeley**, Lexington, KY  
(US)  
(73) Assignee: **Stable-Safe Limited**, Hampshire (GB)  
(\*\*) Term: **14 Years**  
(21) Appl. No.: **29/306,836**  
(22) Filed: **Apr. 17, 2008**  
(51) **LOC (9) Cl.** ..... **30-02**  
(52) **U.S. Cl.** ..... **D30/120**  
(58) **Field of Classification Search** ..... D30/119,  
D30/120; 119/436, 28.5, 512-517, 521,  
119/523, 722, 752, 727; 256/19, 23, 24  
See application file for complete search history.

(56) **References Cited**

**U.S. PATENT DOCUMENTS**

447,561 A \* 3/1891 Davis ..... 119/523  
(Continued)

**FOREIGN PATENT DOCUMENTS**

GB 2393630 A 4/2004  
(Continued)

**OTHER PUBLICATIONS**

Specification and data sheet by Box Systems International Limited, 2 pages.

*Primary Examiner*—Robert M Spear

*Assistant Examiner*—Rashida C McCoy

(74) *Attorney, Agent, or Firm*—Senniger Powers LLP

(57) **CLAIM**

The ornamental design for a stable bank system, as shown and described.

**DESCRIPTION**

FIG. 1 is a perspective of one embodiment of a stable bank system of this invention, the system being shown installed in a stable (depicted in phantom lines) forming no part of this invention;

FIG. 2 is a top plan view of the stable bank system;

FIG. 3 is a front view of the stable bank system;

FIG. 4 is a rear view of the stable bank system;

FIG. 5 is a left side elevation of the stable bank system;

FIG. 6 is a right side elevation of the stable bank system;

FIG. 7 is a vertical sectional view taken along lines 7—7 of FIG. 2;

FIG. 8 is a vertical sectional view taken on lines 8—8 of FIG. 2;

FIG. 9 is a perspective of a side panel removed from the stable bank system for clarity of disclosure;

FIG. 10 is a top view thereof;

FIG. 11 is a bottom view thereof;

FIG. 12 is a front view thereof;

FIG. 13 is a rear view thereof;

FIG. 14 is a right side elevation view thereof, the left side elevation being identical;

FIG. 15 is a perspective of a joiner removed from the stable bank system for clarity of disclosure;

FIG. 16 is a top view thereof;

FIG. 17 is a bottom view thereof;

FIG. 18 is a front view thereof;

FIG. 19 is a rear view thereof;

FIG. 20 is a right side elevation view thereof, the left side elevation being identical;

FIG. 21 is a perspective of an end cap removed from the stable bank system for clarity of disclosure;

FIG. 22 is a top view thereof;

FIG. 23 is a bottom view thereof;

FIG. 24 is a front view thereof;

FIG. 25 is a rear view thereof;

FIG. 26 is a right side elevation view thereof, the left side elevation being identical;

FIG. 27 is a perspective of an interior corner member removed from the stable bank system for clarity of disclosure;

FIG. 28 is a top view thereof;

FIG. 29 is a bottom view thereof;

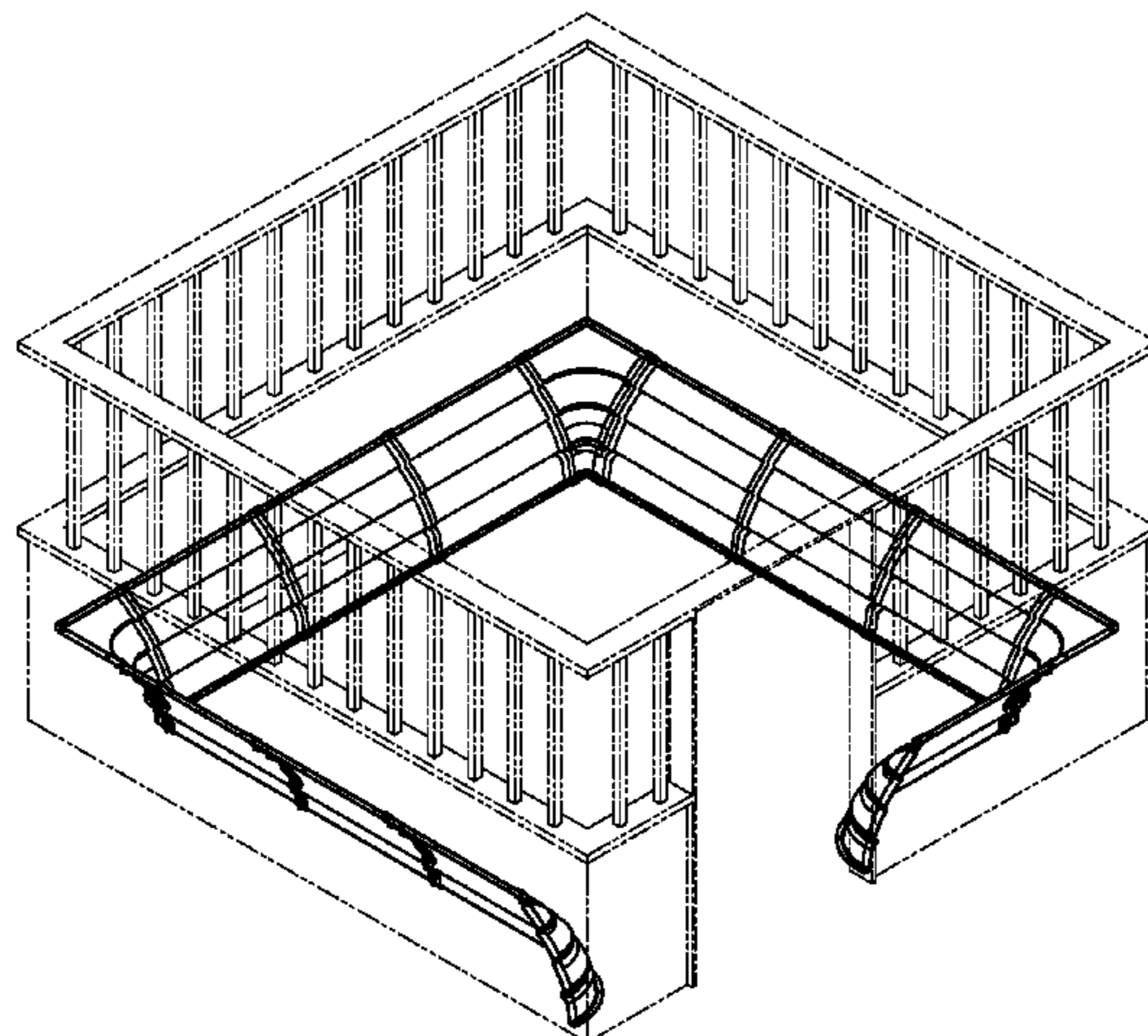
FIG. 30 is a front view thereof;

FIG. 31 is a rear view thereof; and,

FIG. 32 is a right side elevation view thereof, the left side elevation being identical.

The broken line showing of the stable illustrates environmental structure and forms no part of the claimed design.

**1 Claim, 32 Drawing Sheets**



# US D623,804 S

Page 2

---

## U.S. PATENT DOCUMENTS

457,806 A \* 8/1891 York ..... 119/521  
D35,700 S \* 2/1902 Smithers ..... D30/119  
2,227,581 A \* 1/1941 Henderson ..... 52/273  
3,590,784 A \* 7/1971 Fly ..... 119/722  
3,744,456 A \* 7/1973 Wheeler et al. .... 119/513  
D265,256 S \* 6/1982 Bungler et al. .... D30/120  
D268,957 S \* 5/1983 Bungler ..... D30/120  
4,432,305 A \* 2/1984 Vernese ..... 119/752  
D328,506 S \* 8/1992 McMahon ..... D30/118

5,540,184 A \* 7/1996 D'Agosta ..... 119/523  
D421,321 S \* 2/2000 Foxworthy ..... D30/119  
6,152,081 A \* 11/2000 Baker ..... 119/498  
D520,191 S \* 5/2006 Staal ..... D30/119  
7,225,756 B2 \* 6/2007 Greenfield ..... 119/28.5

## FOREIGN PATENT DOCUMENTS

WO 2004082371 9/2004

\* cited by examiner

FIG. 1

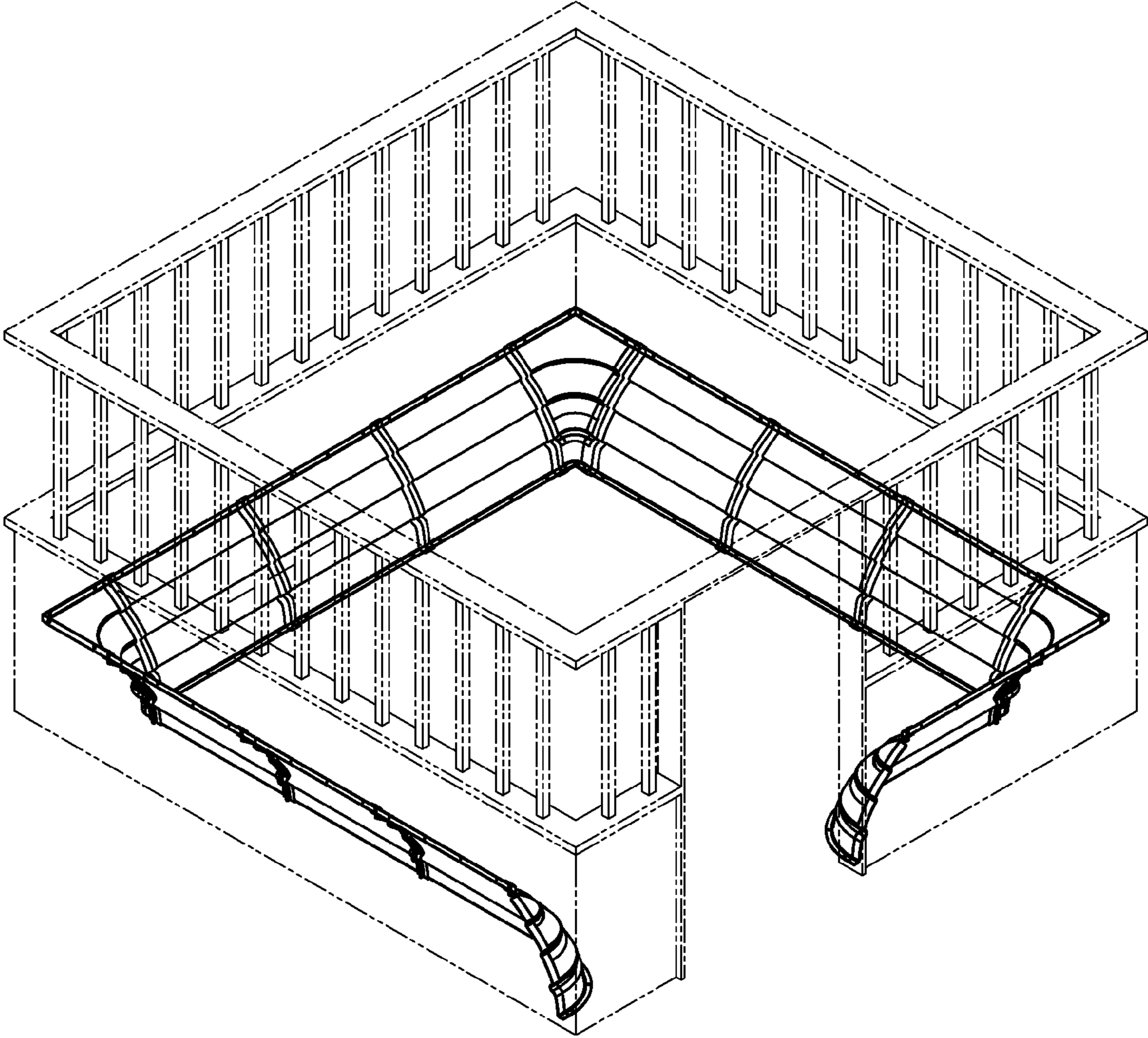
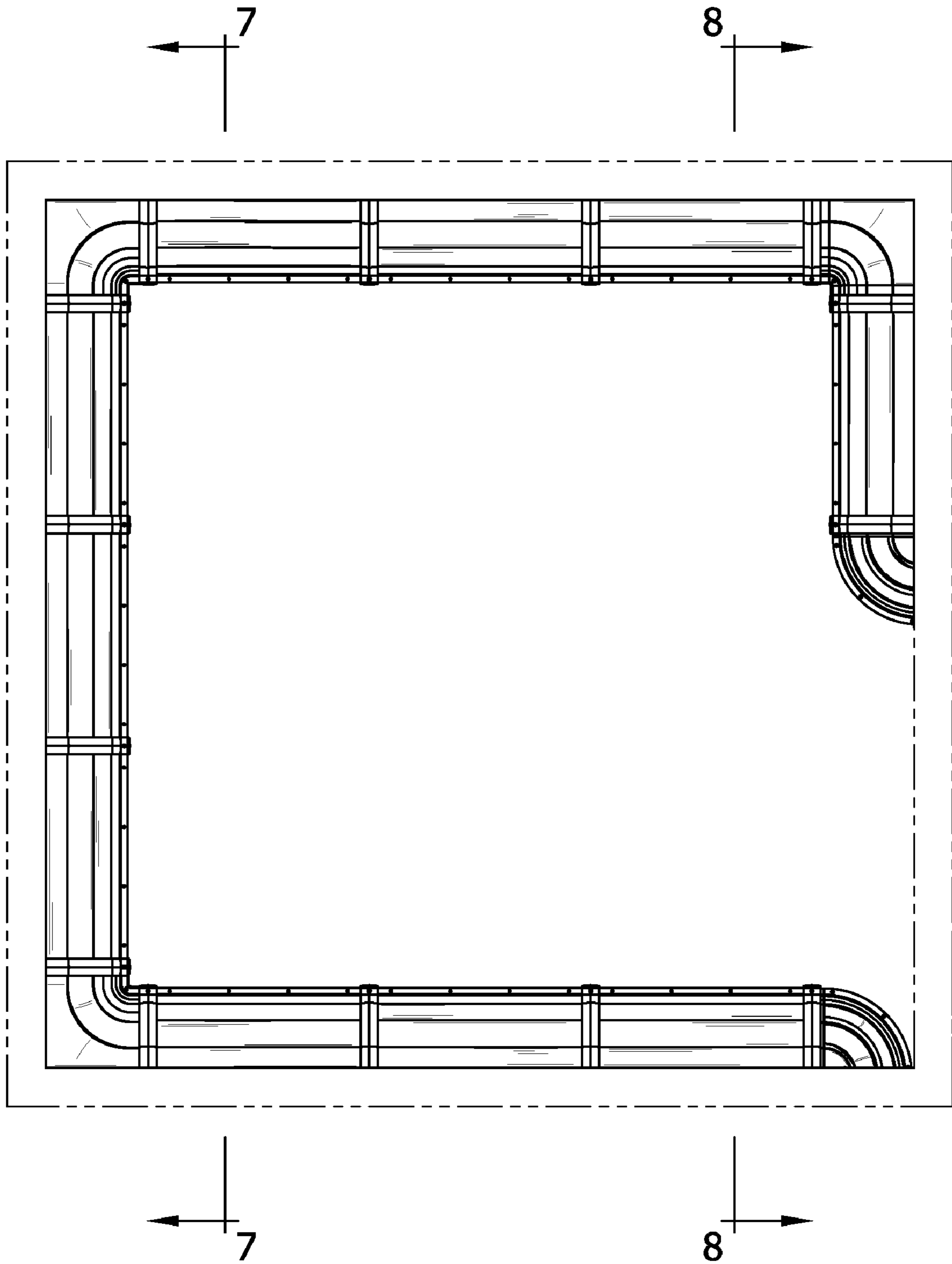


FIG. 2



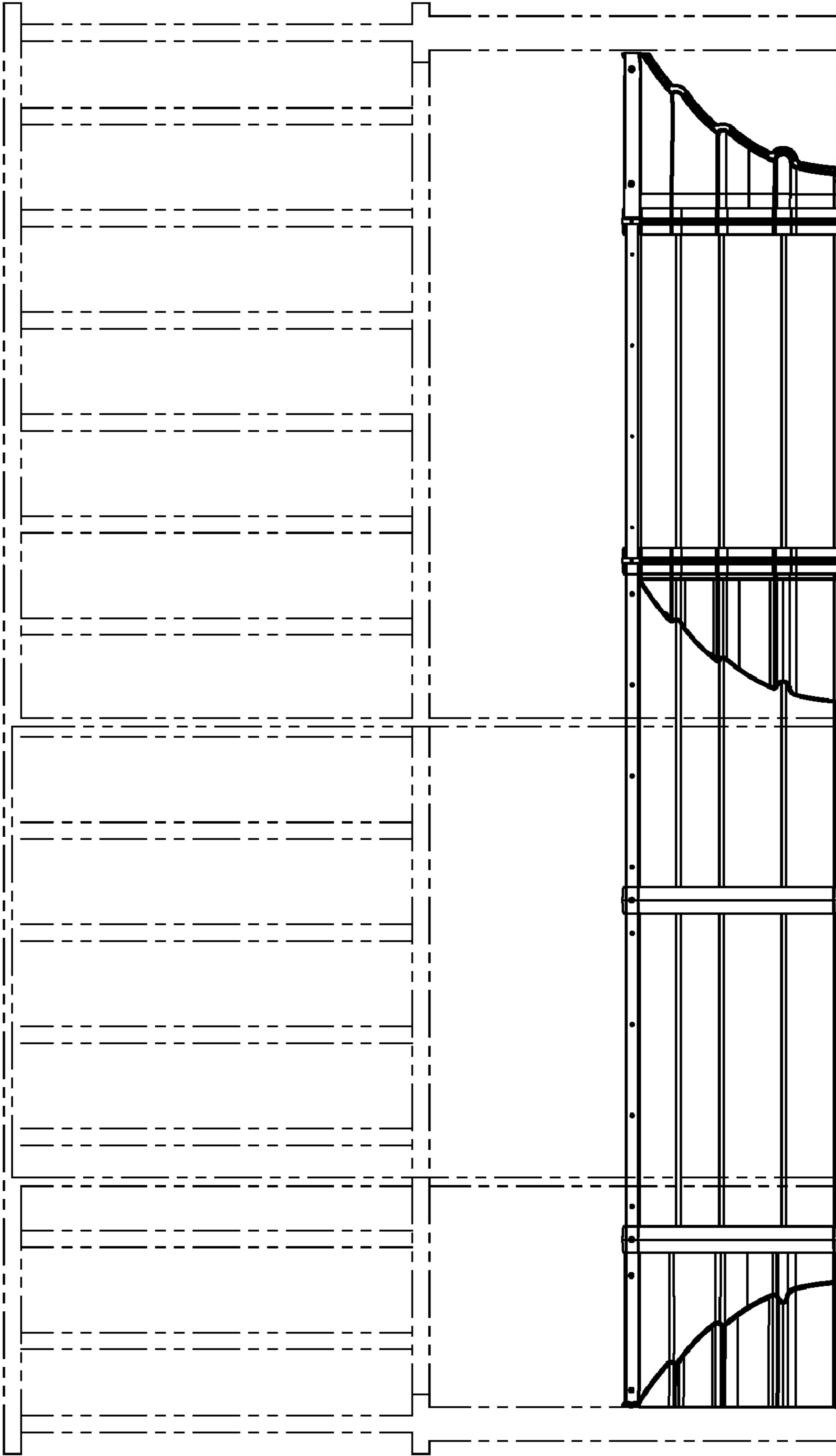


FIG. 3

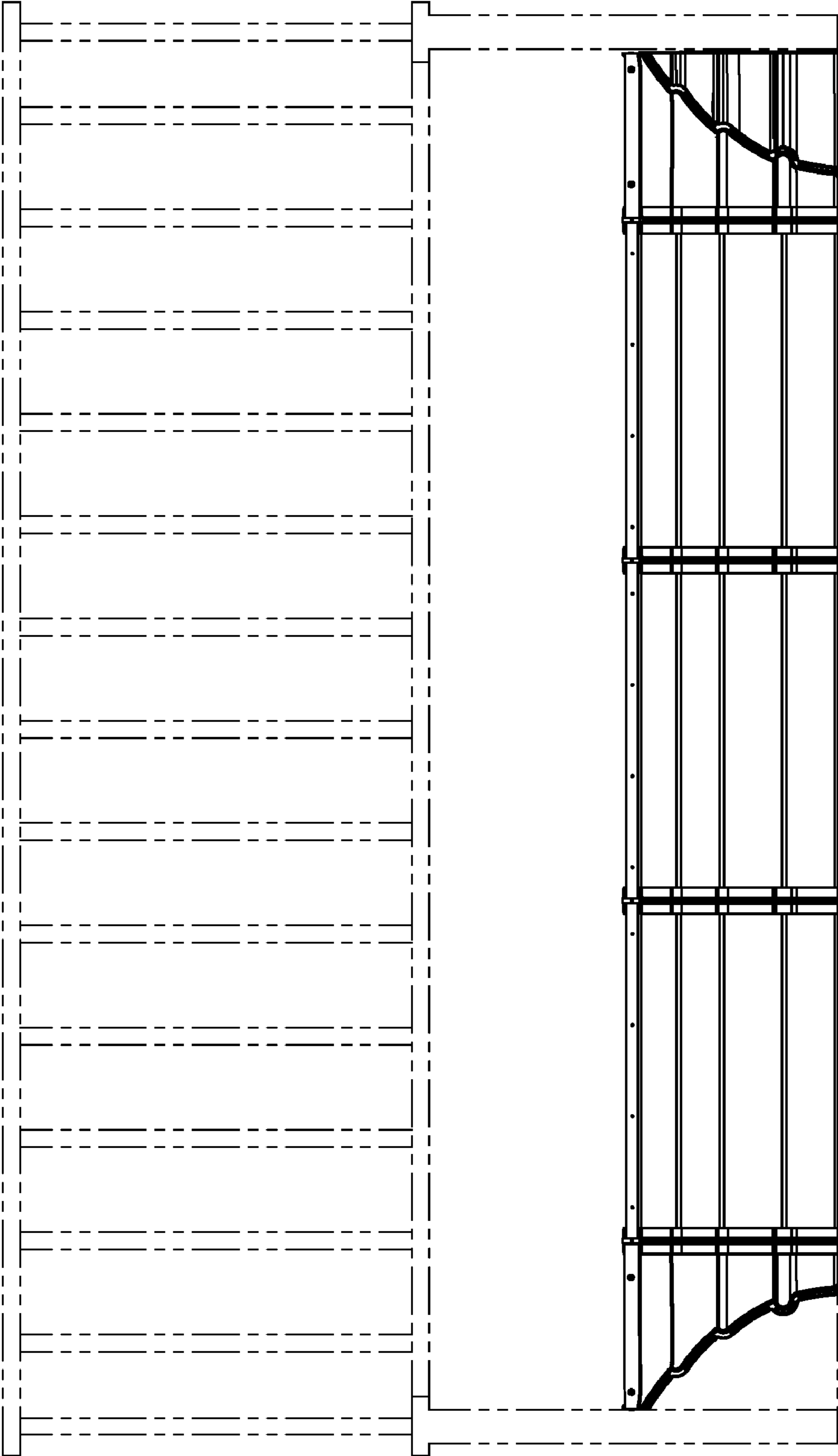


FIG. 4

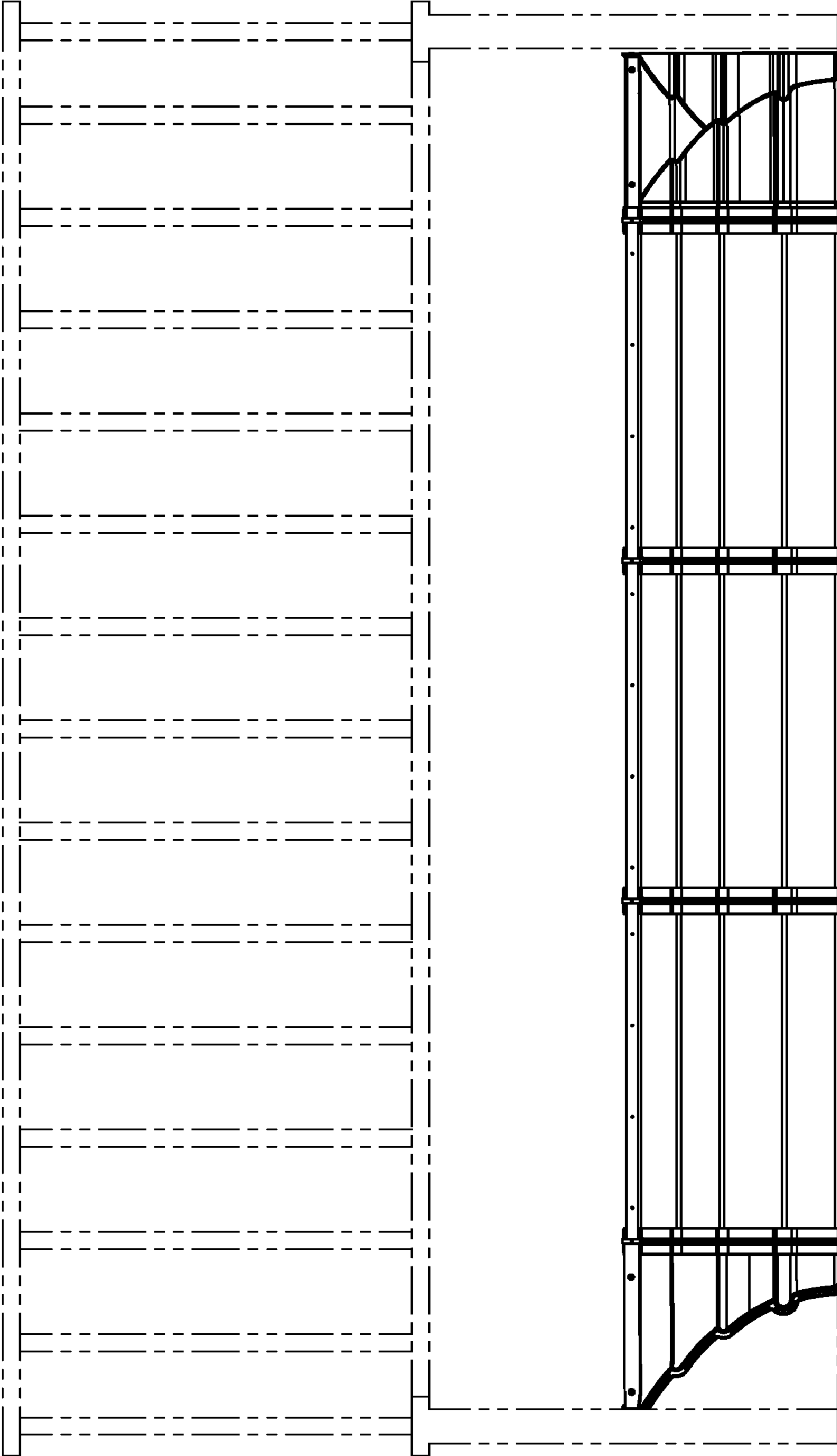


FIG. 5

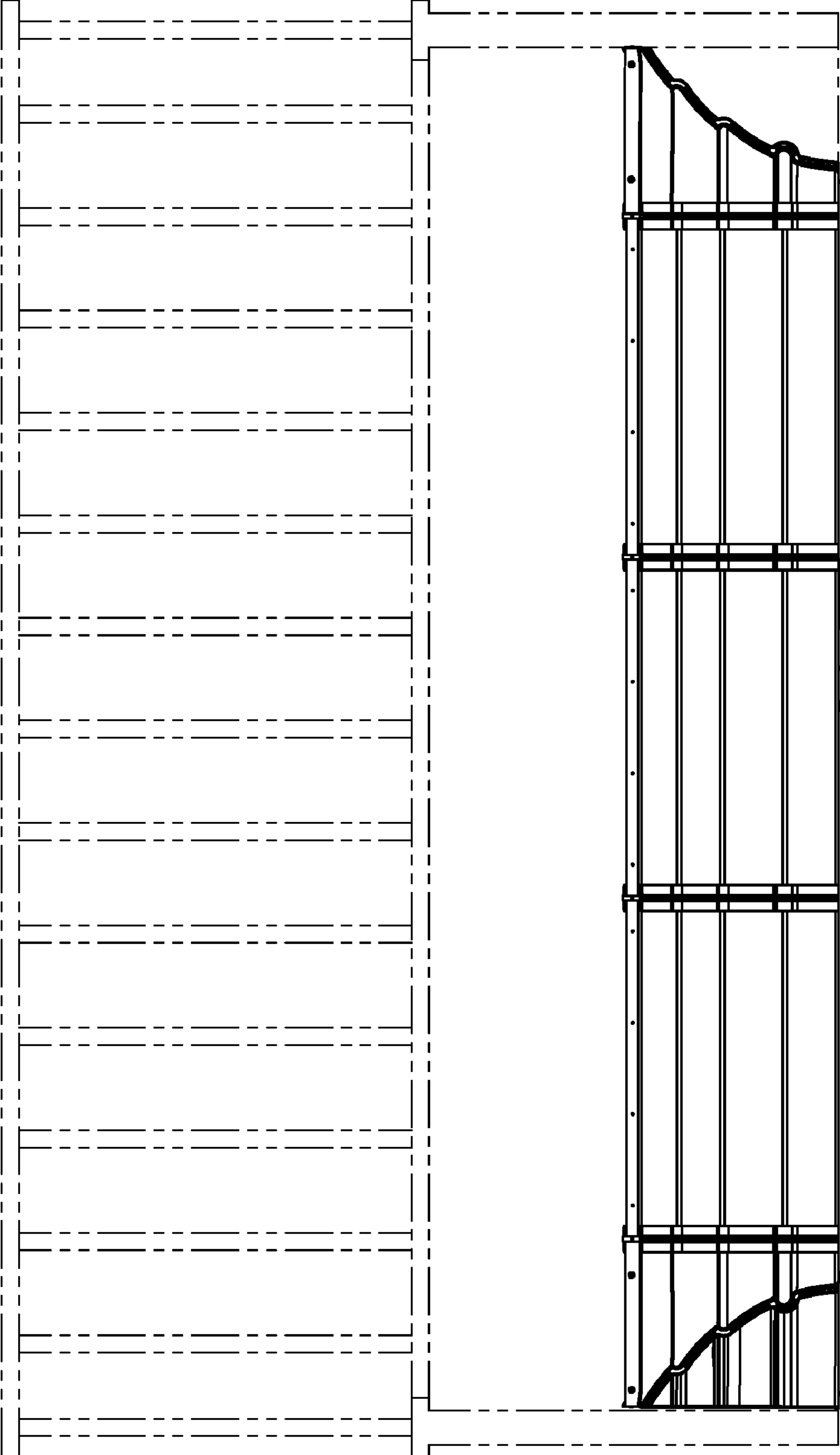


FIG. 6



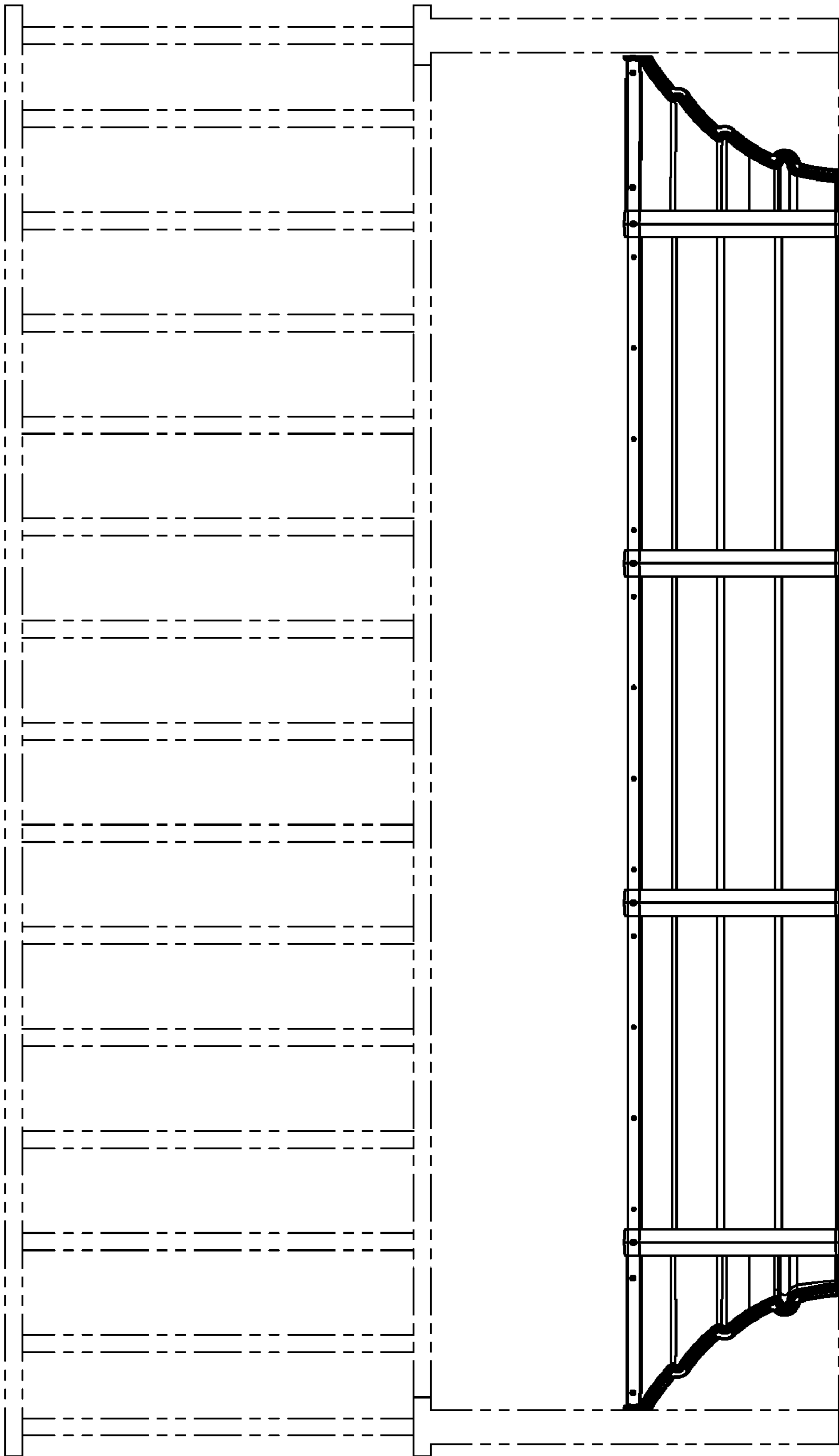


FIG. 7

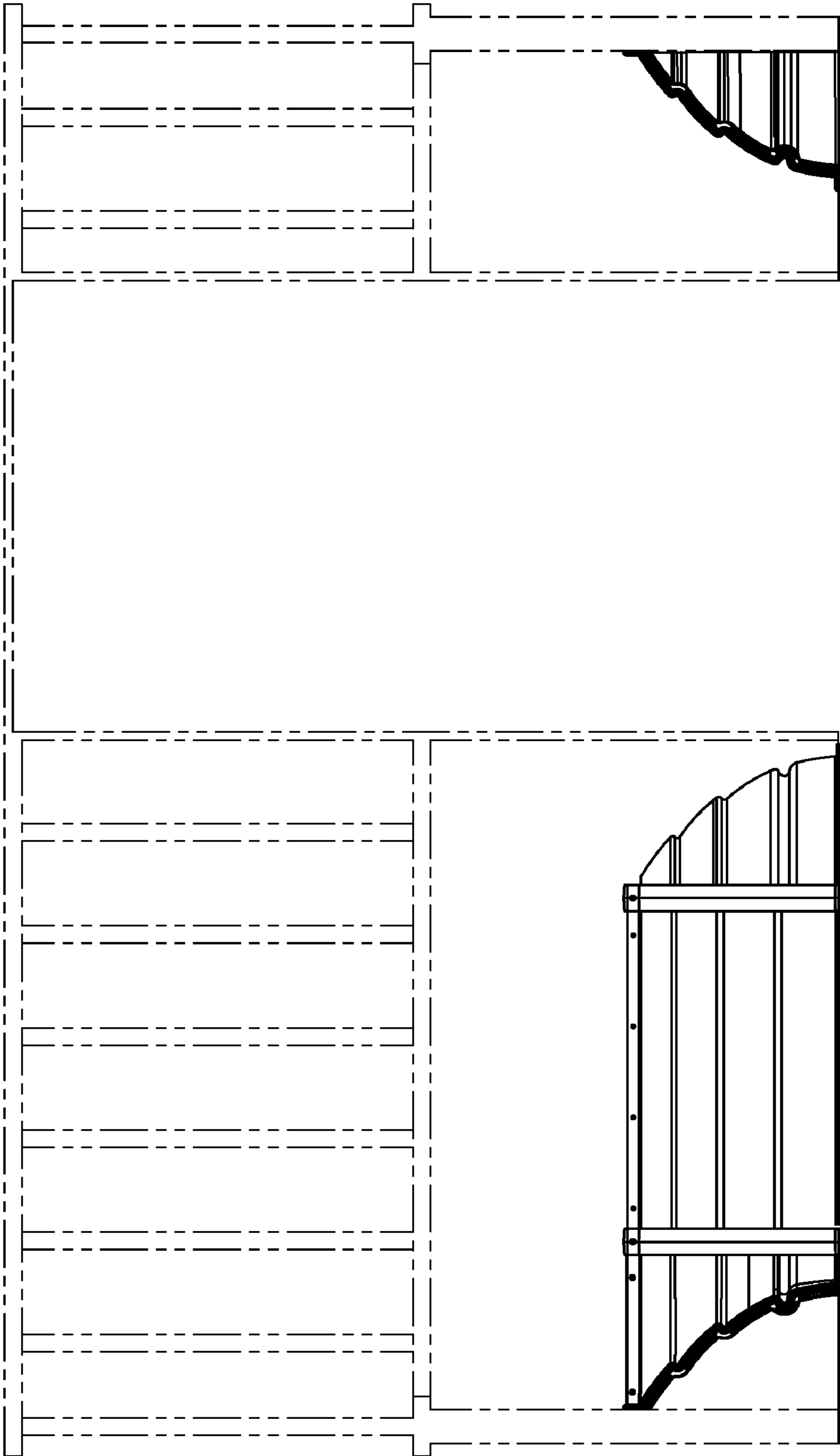


FIG. 8

FIG. 9

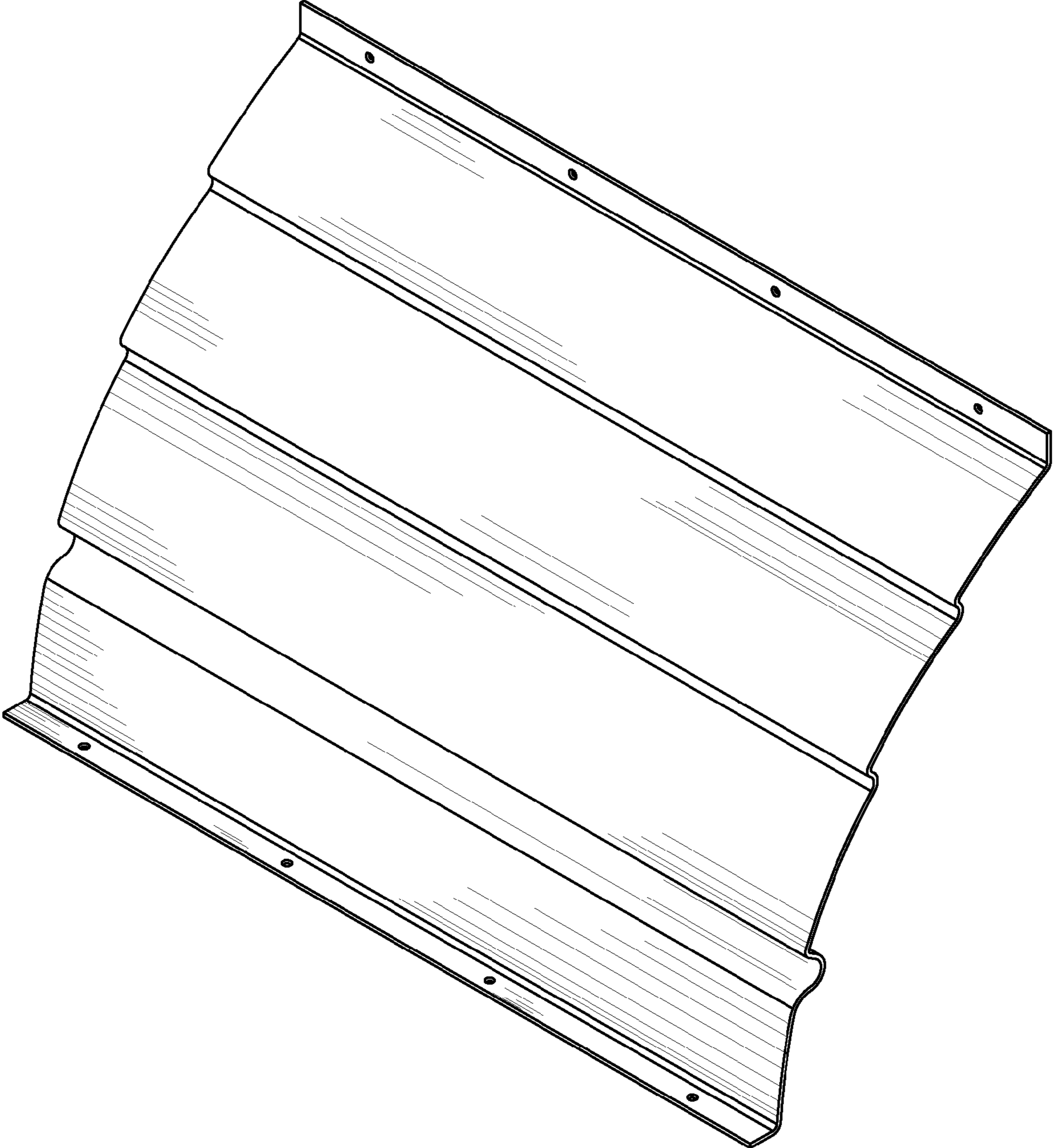


FIG. 10

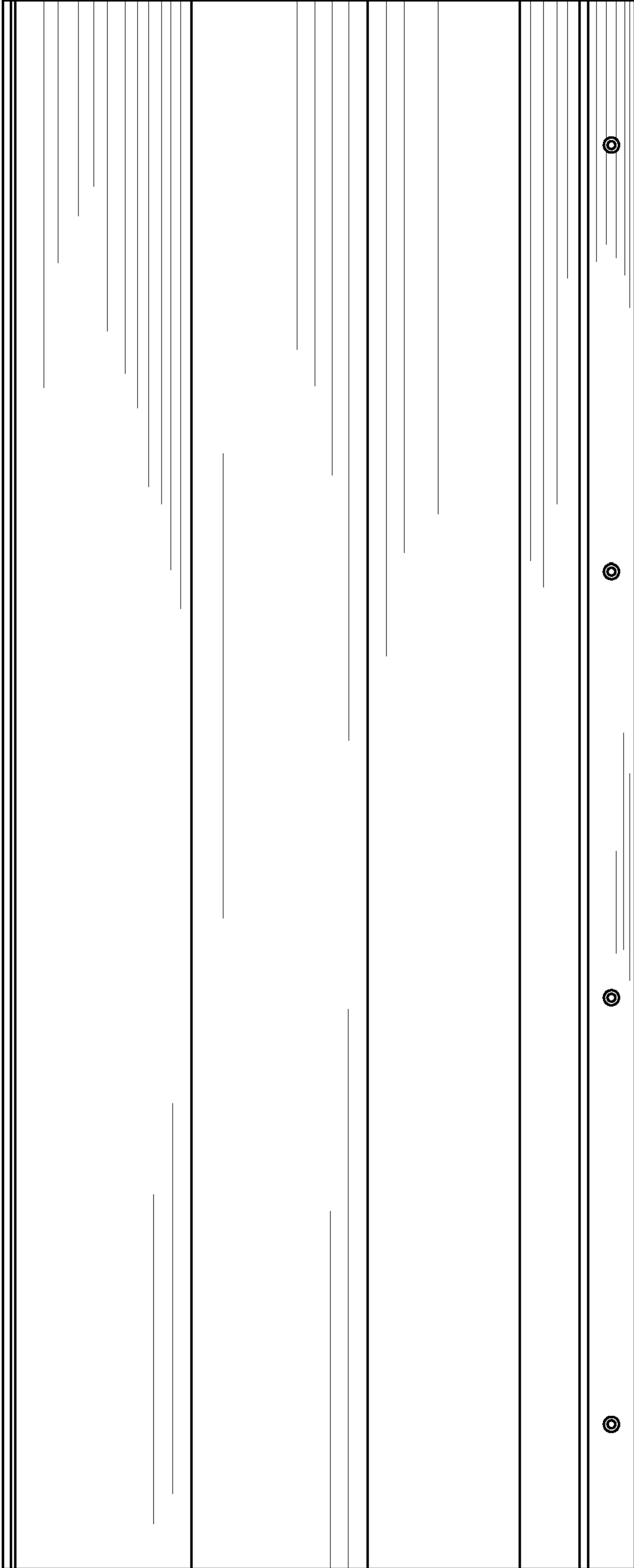
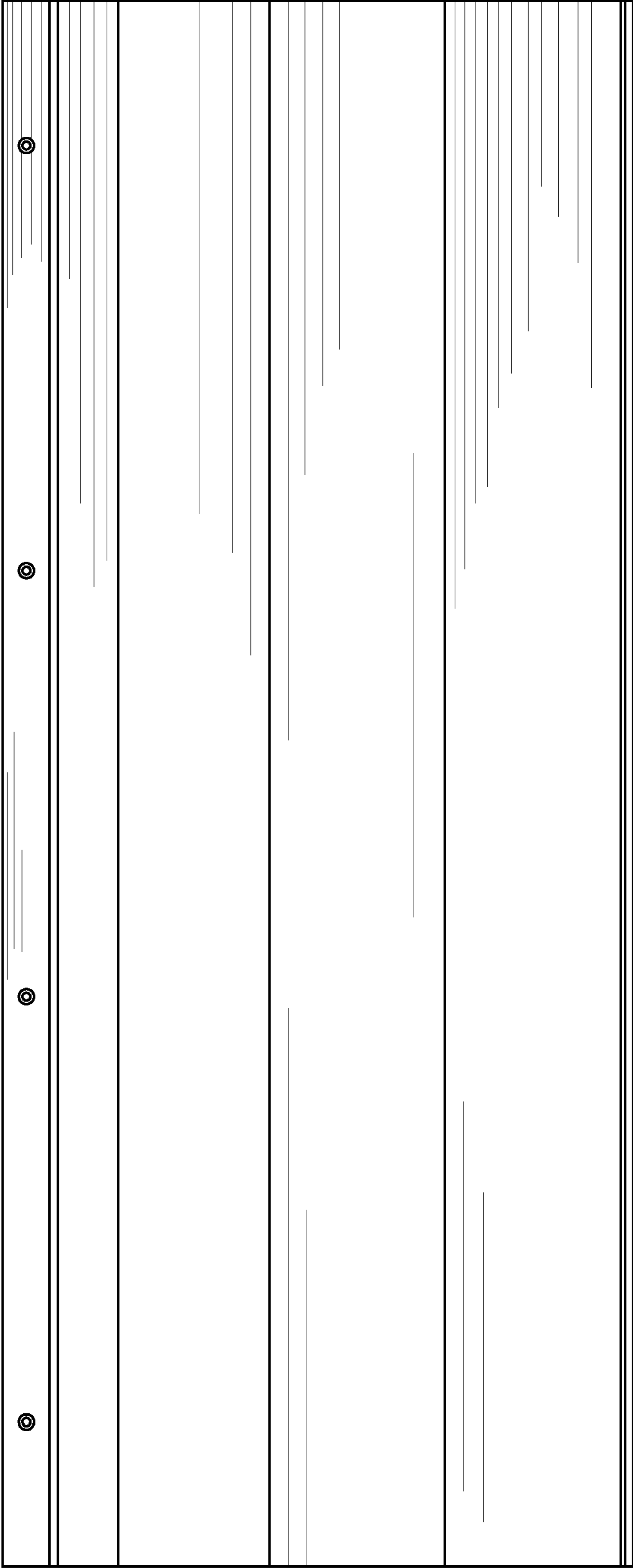


FIG. 11



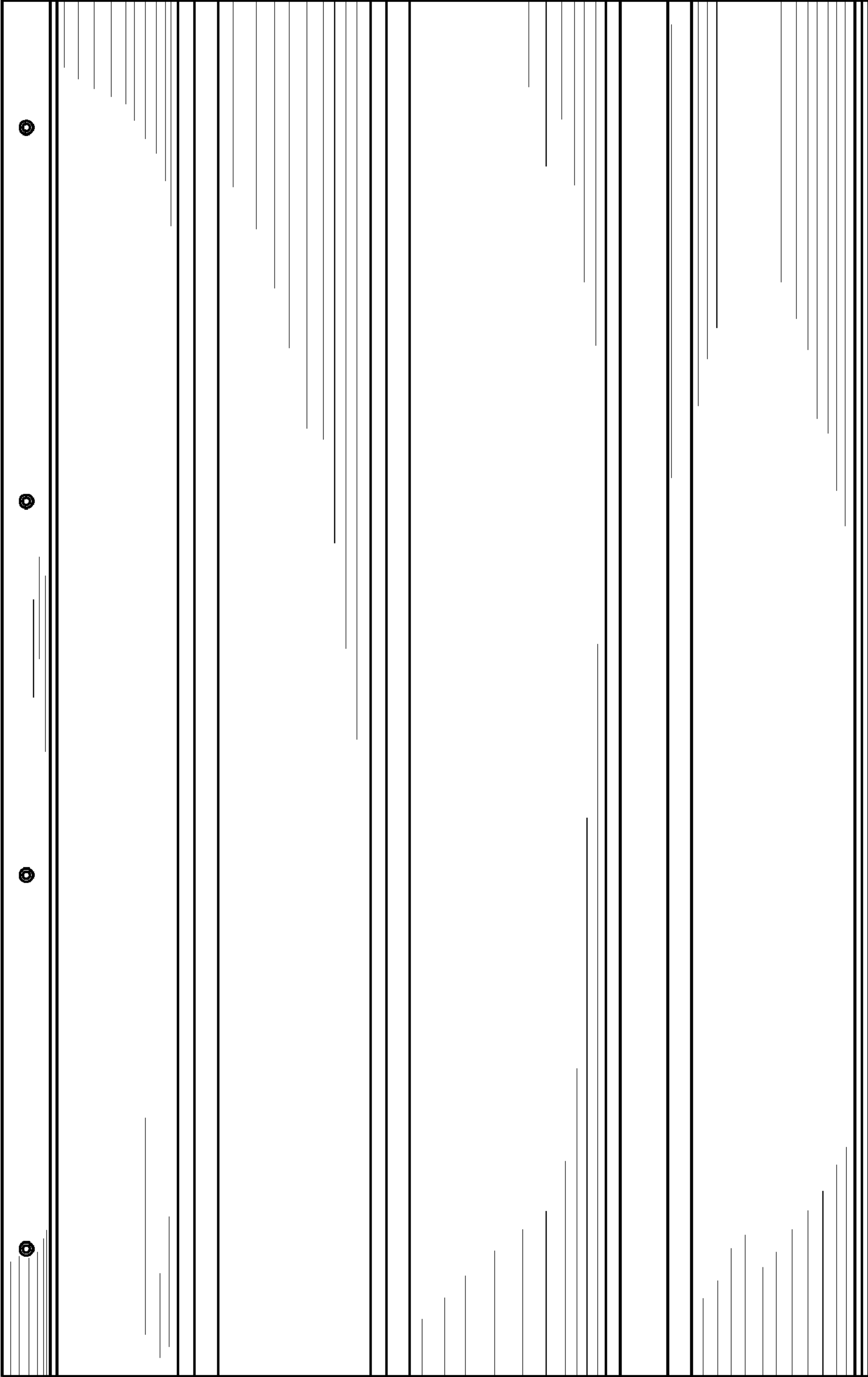


FIG. 12

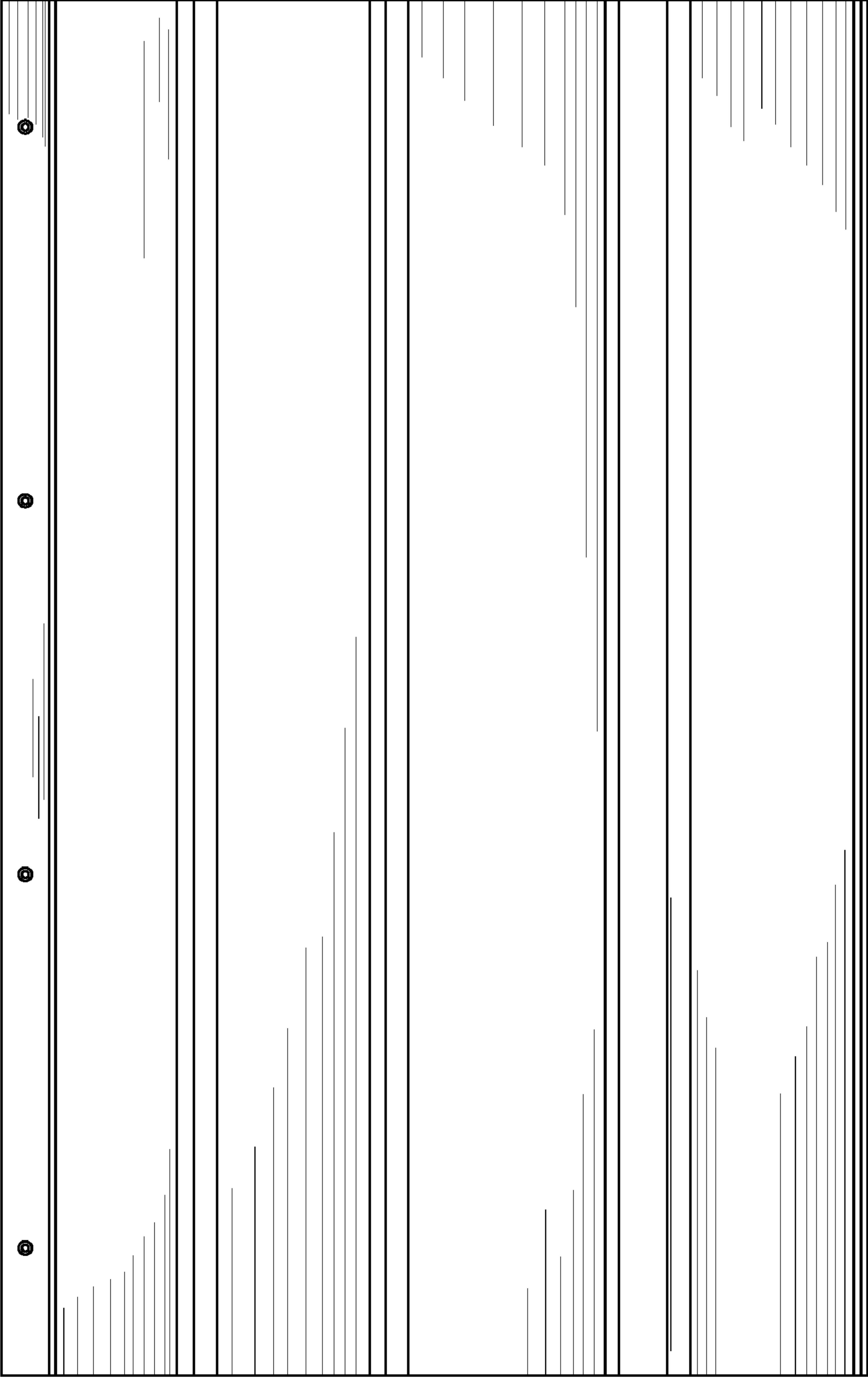


FIG. 13

FIG. 14

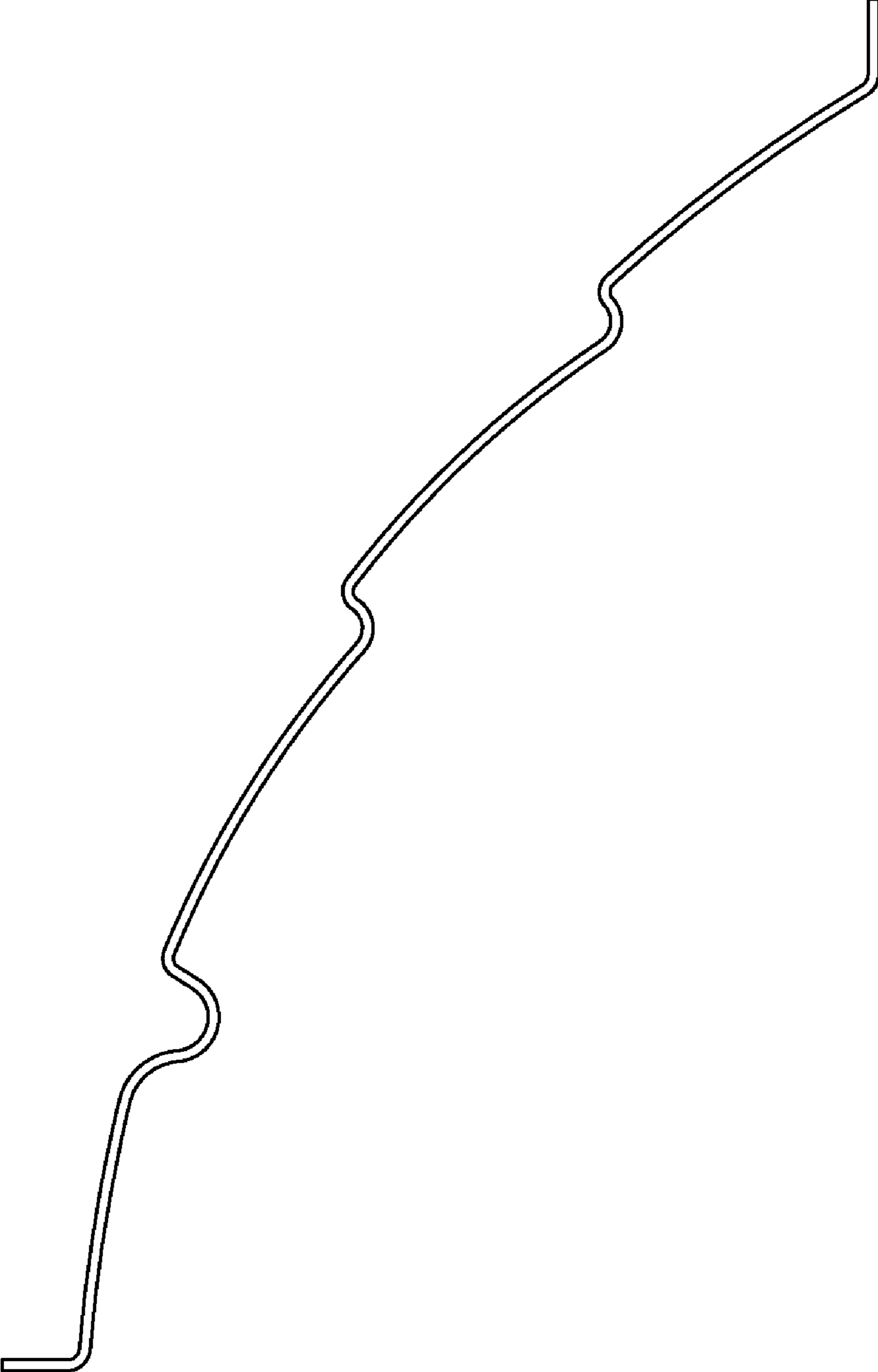
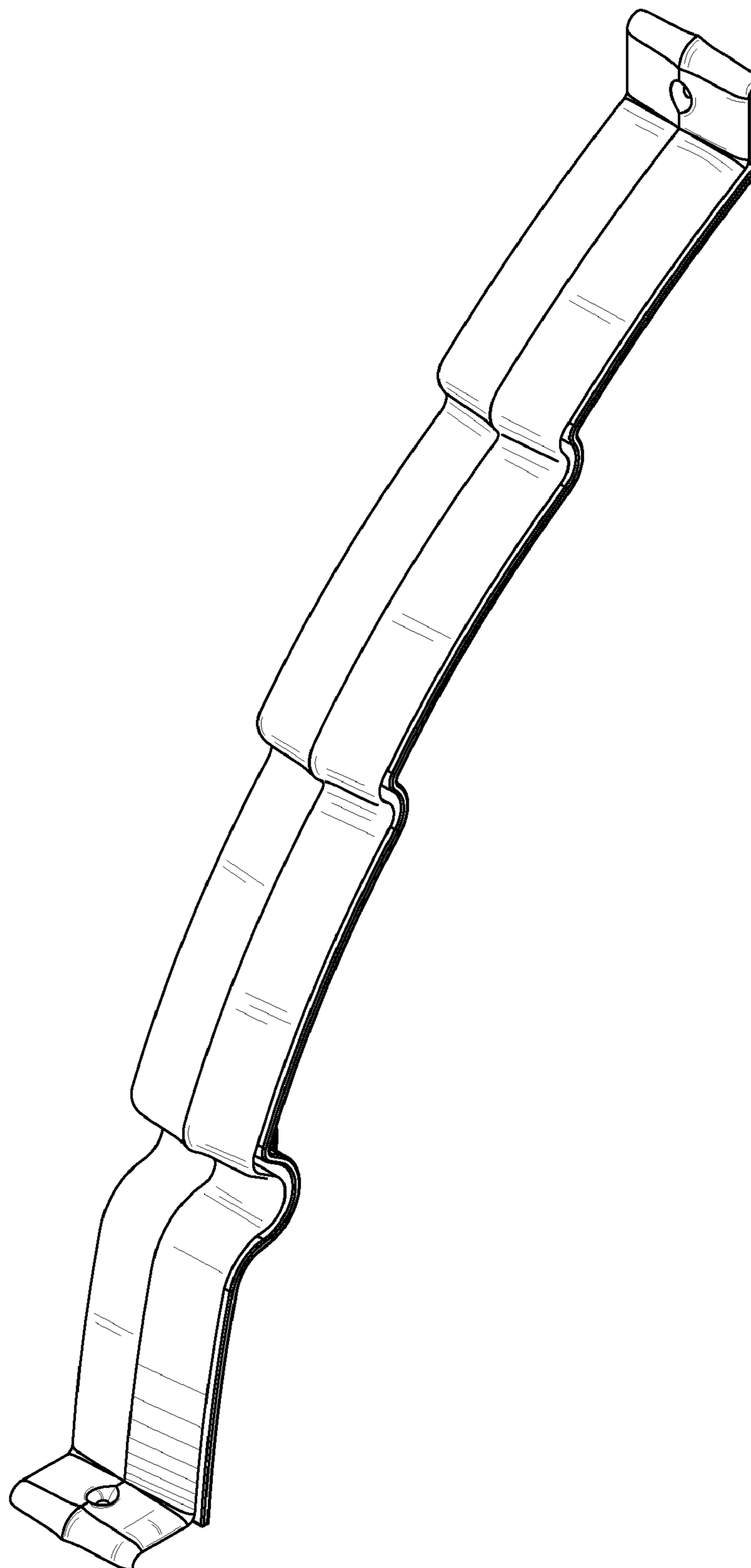




FIG. 15



# FIG. 16

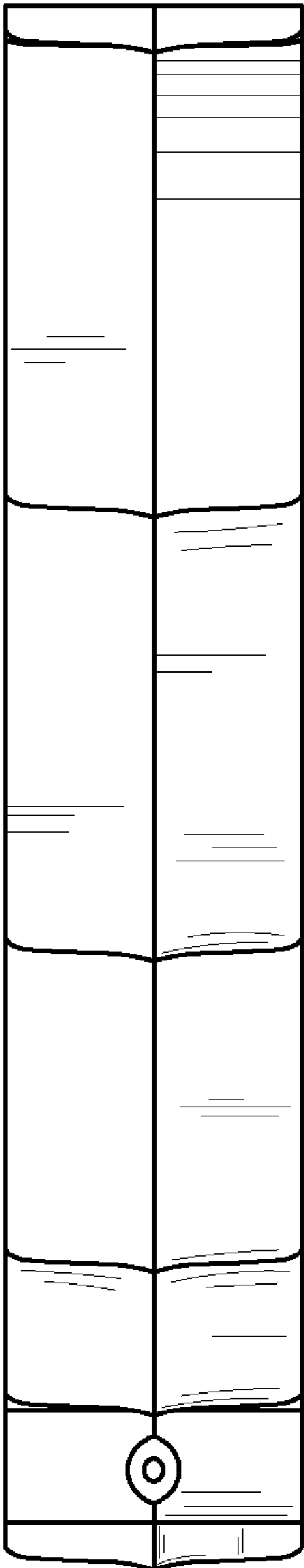


FIG. 17

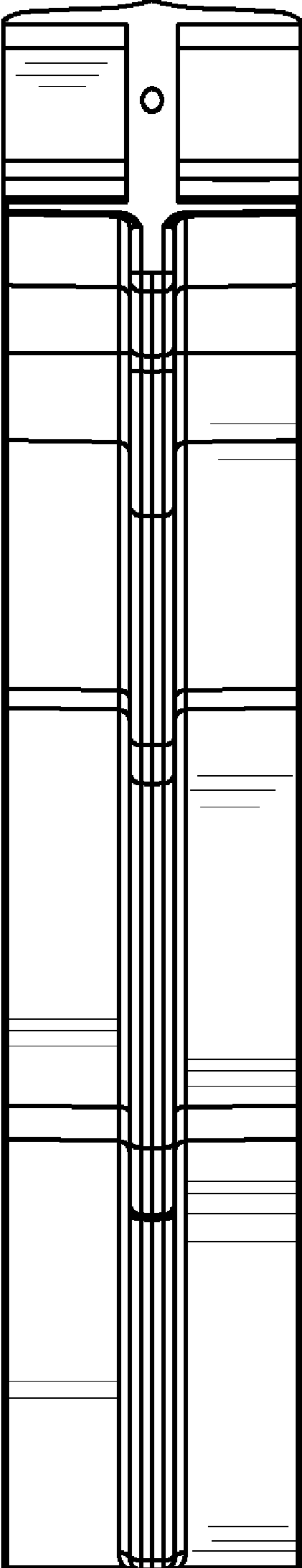


FIG. 18

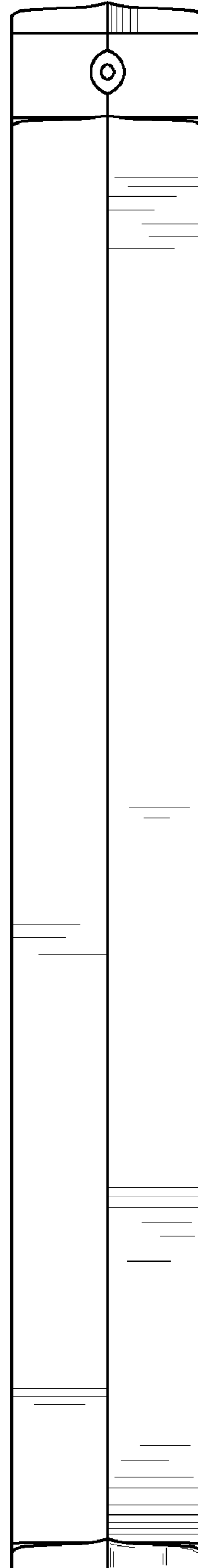


FIG. 19

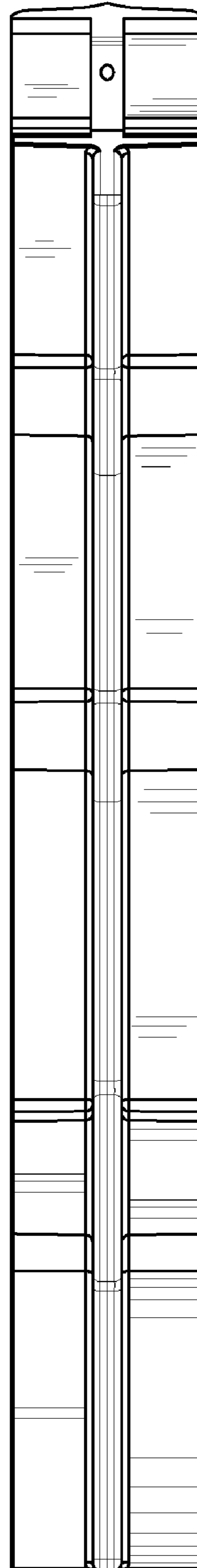


FIG. 20

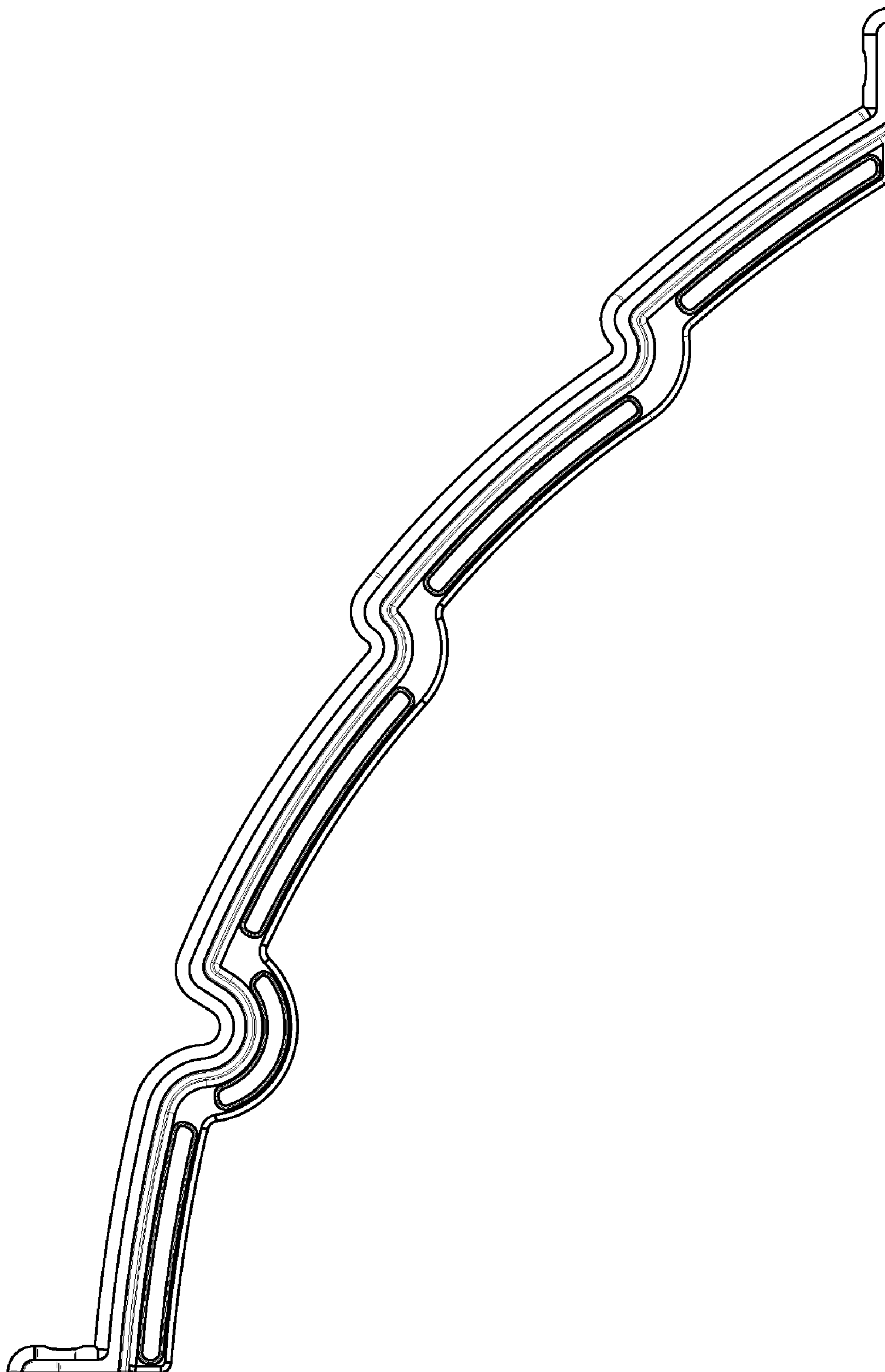


FIG. 21

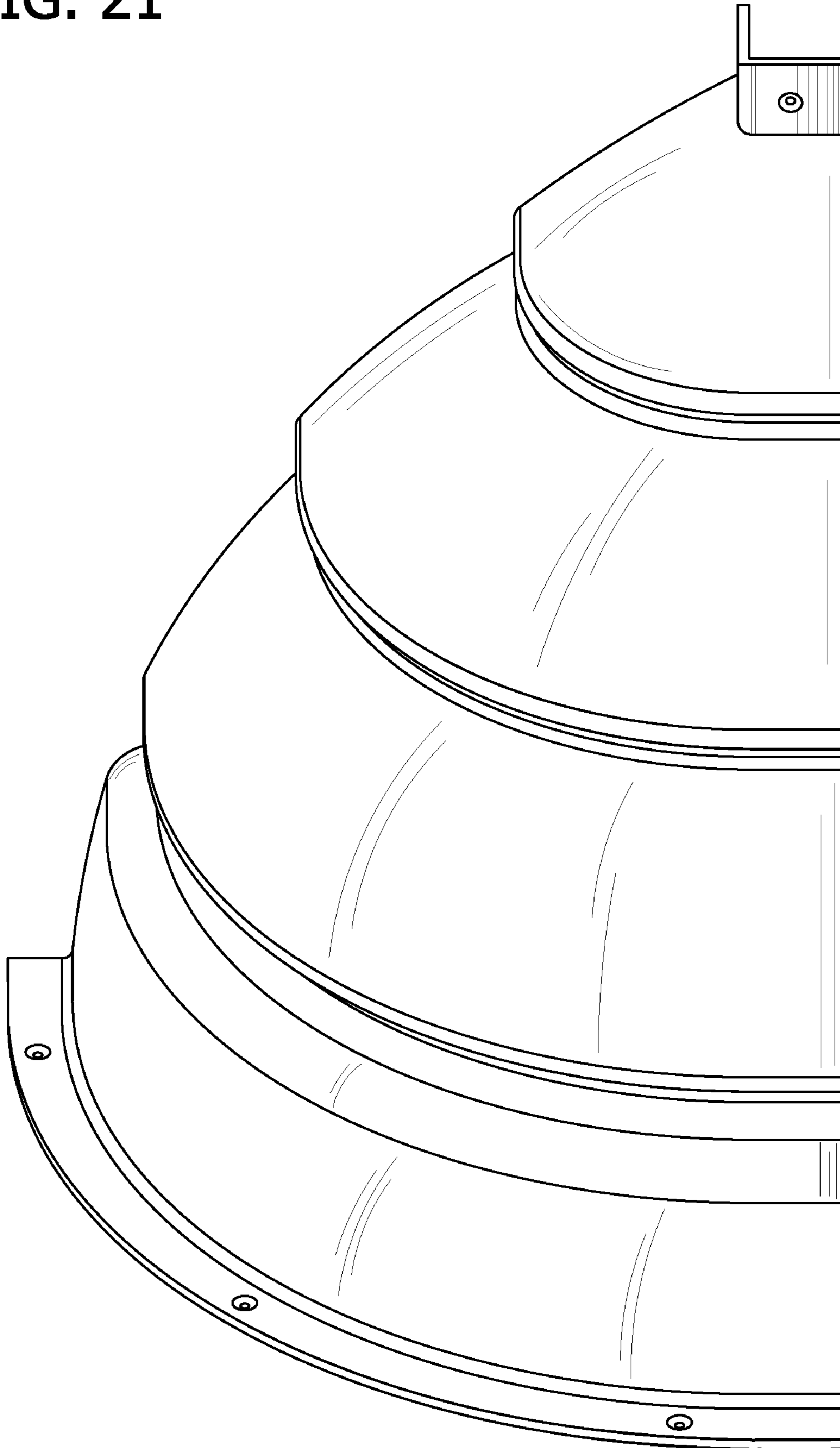


FIG. 22

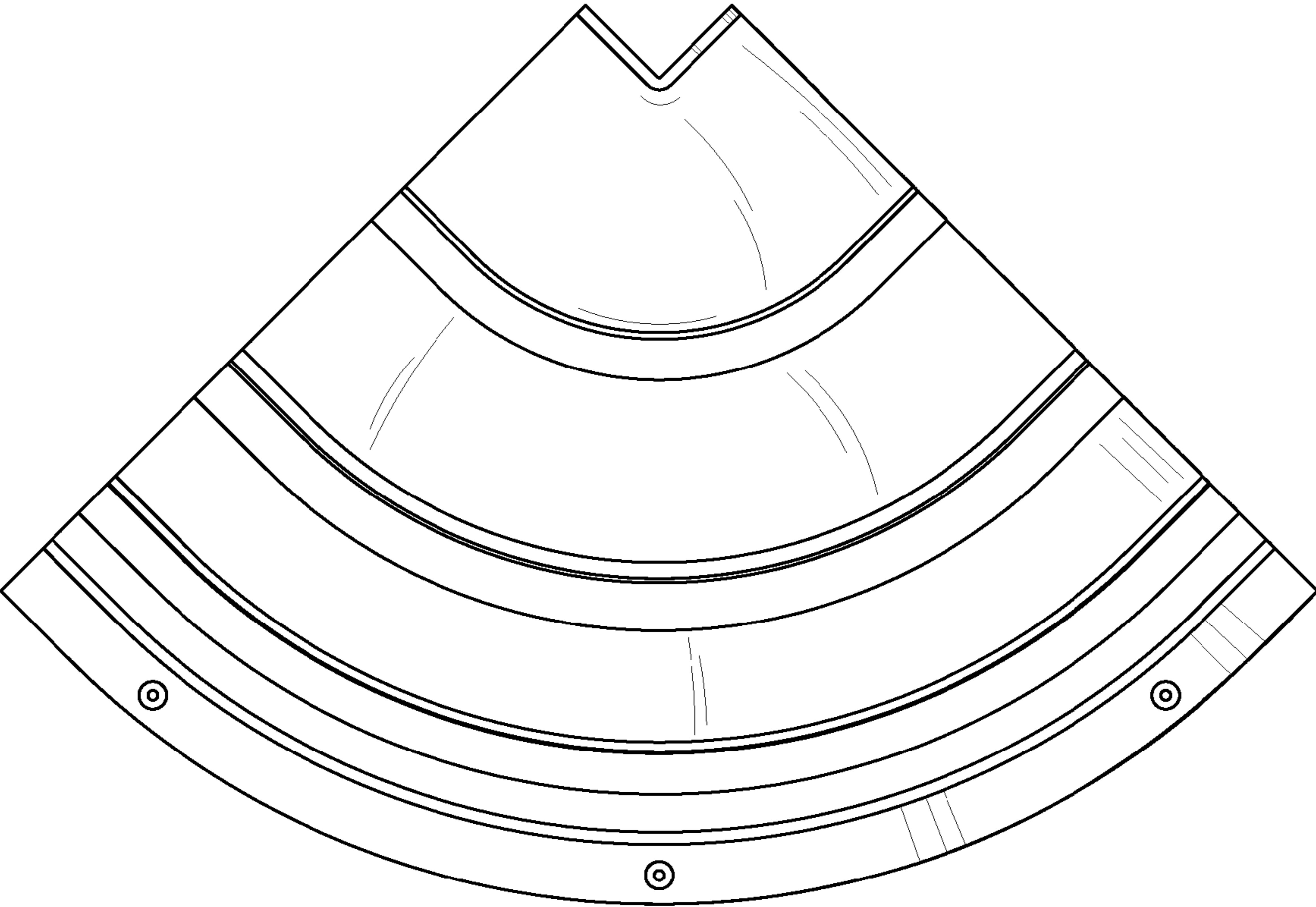




FIG. 23

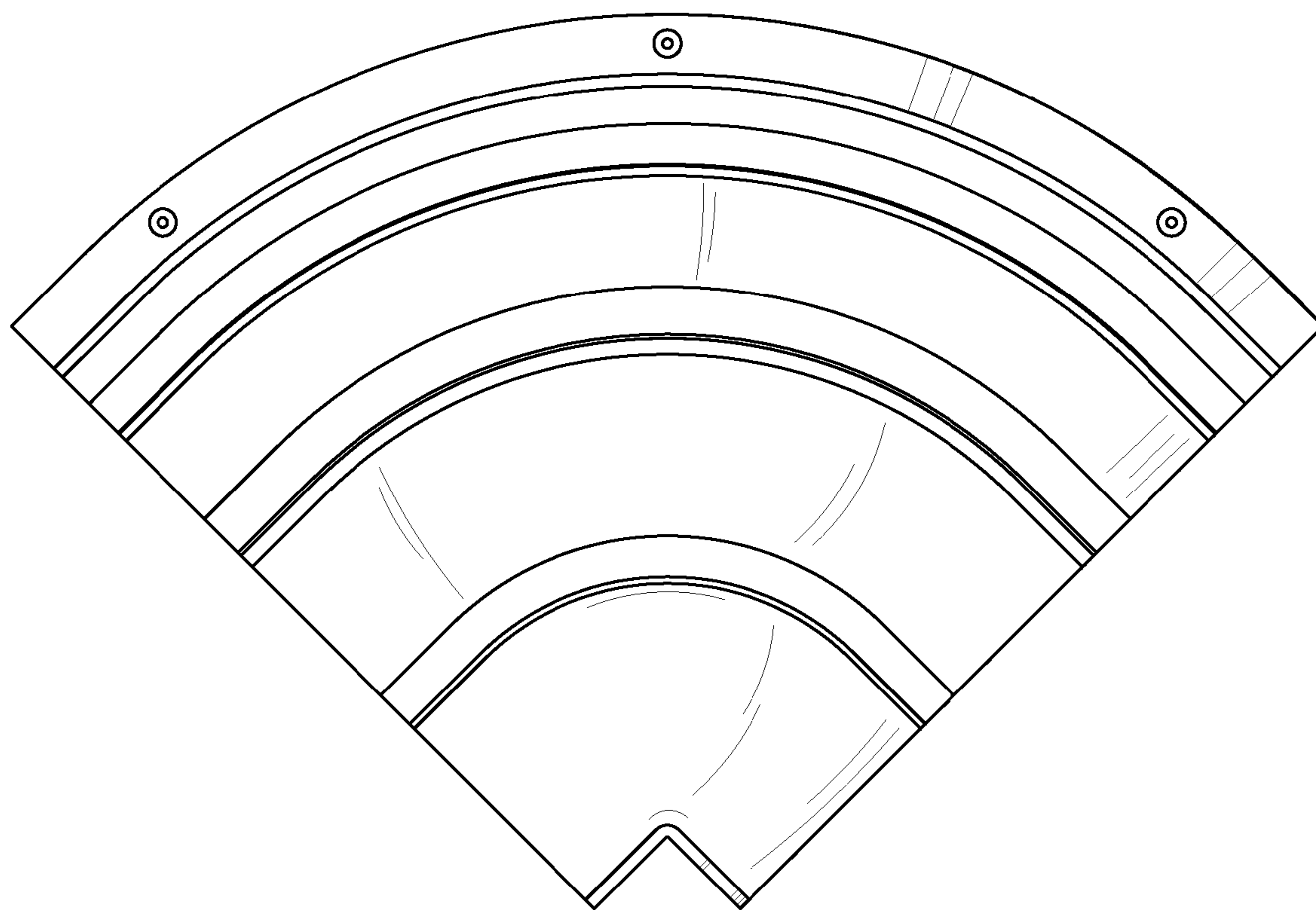


FIG. 24

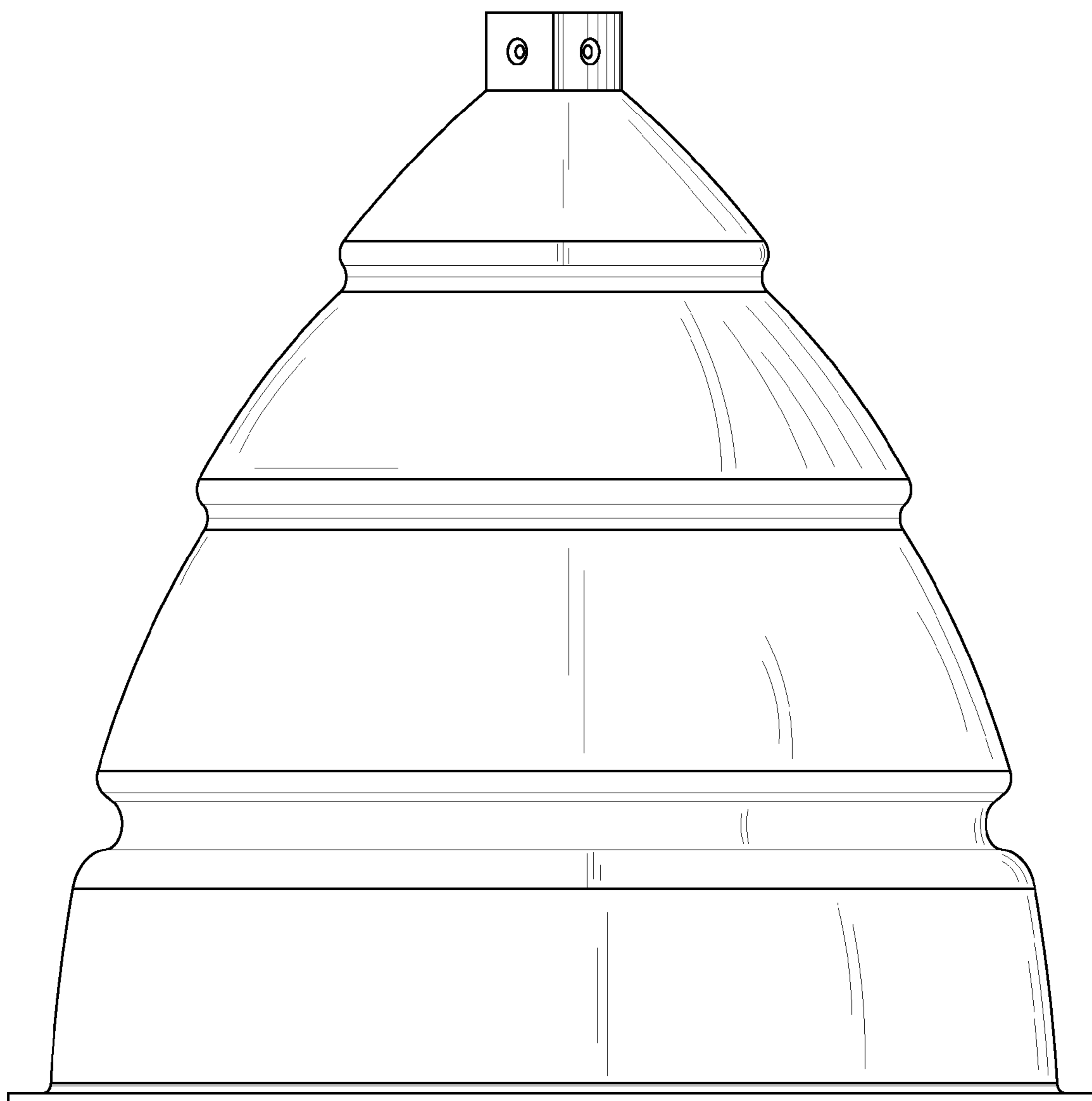


FIG. 25

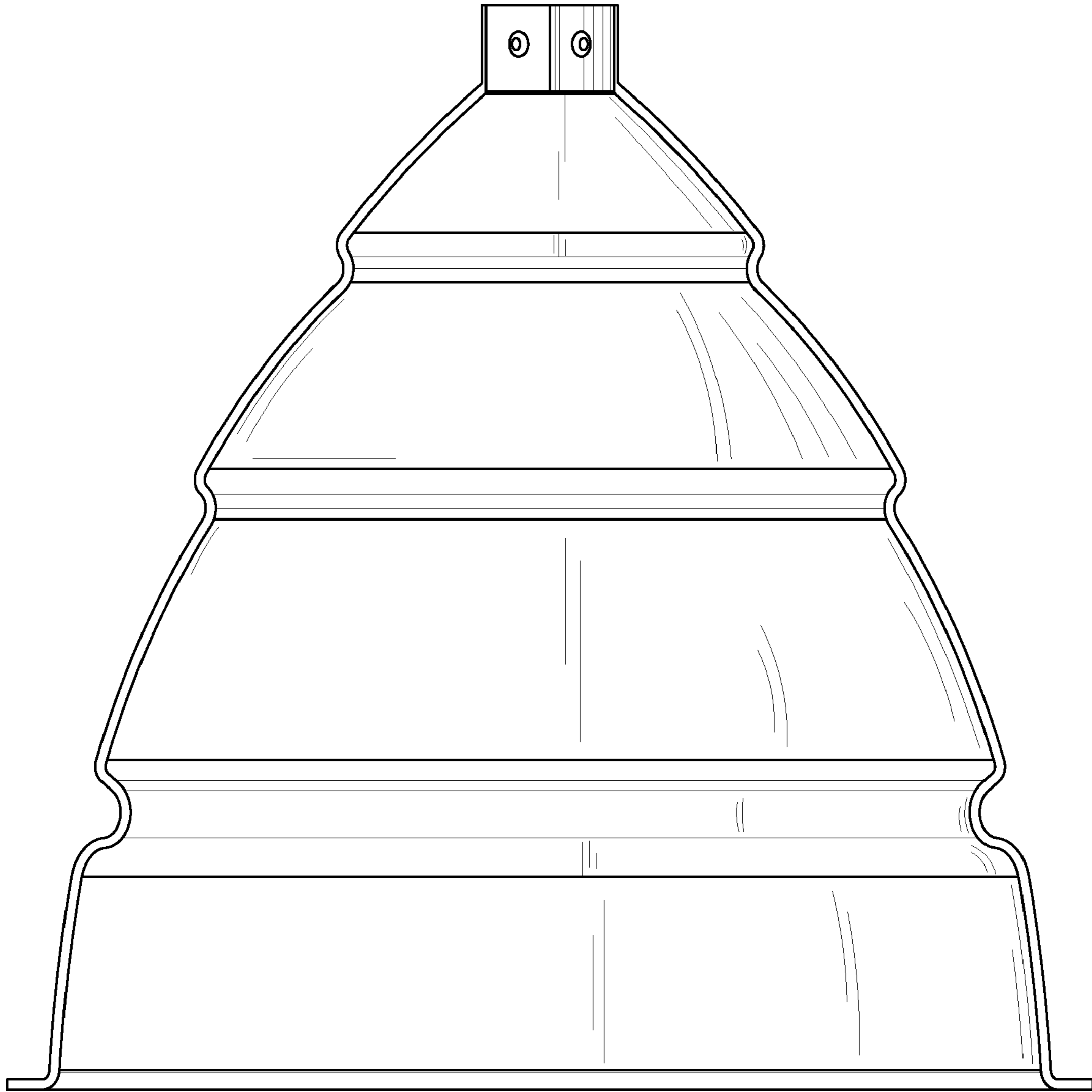


FIG. 26

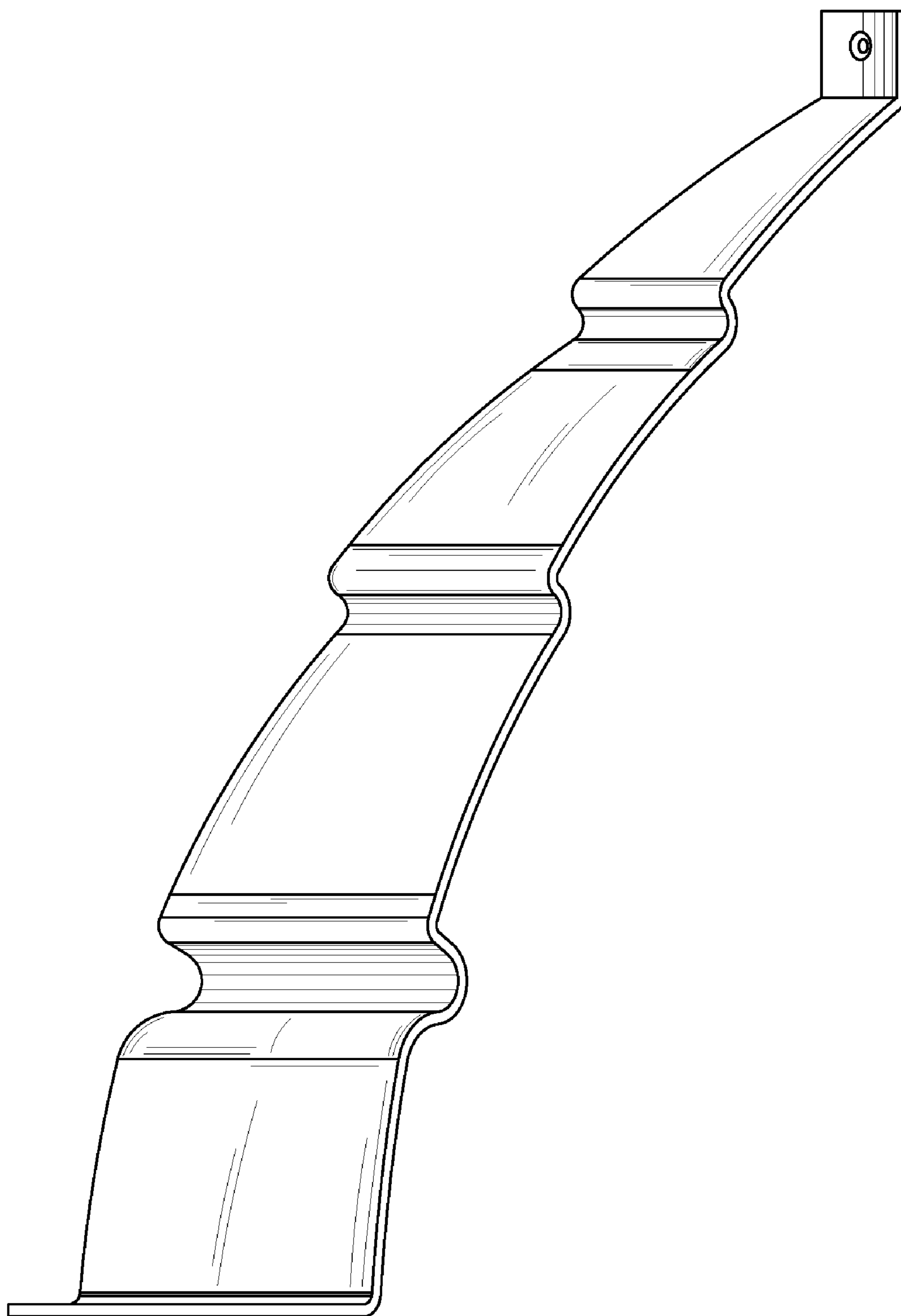


FIG. 27

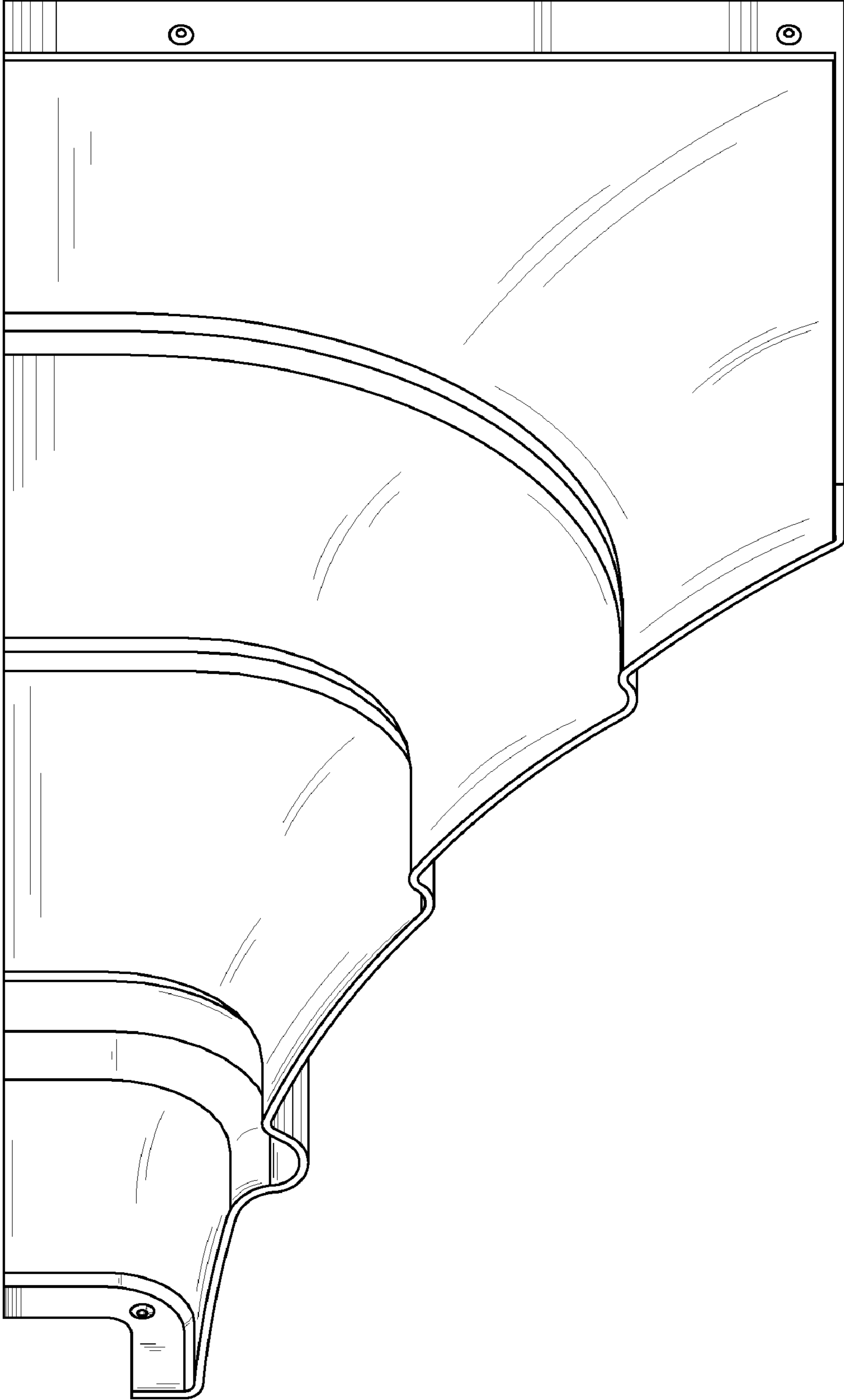


FIG. 28

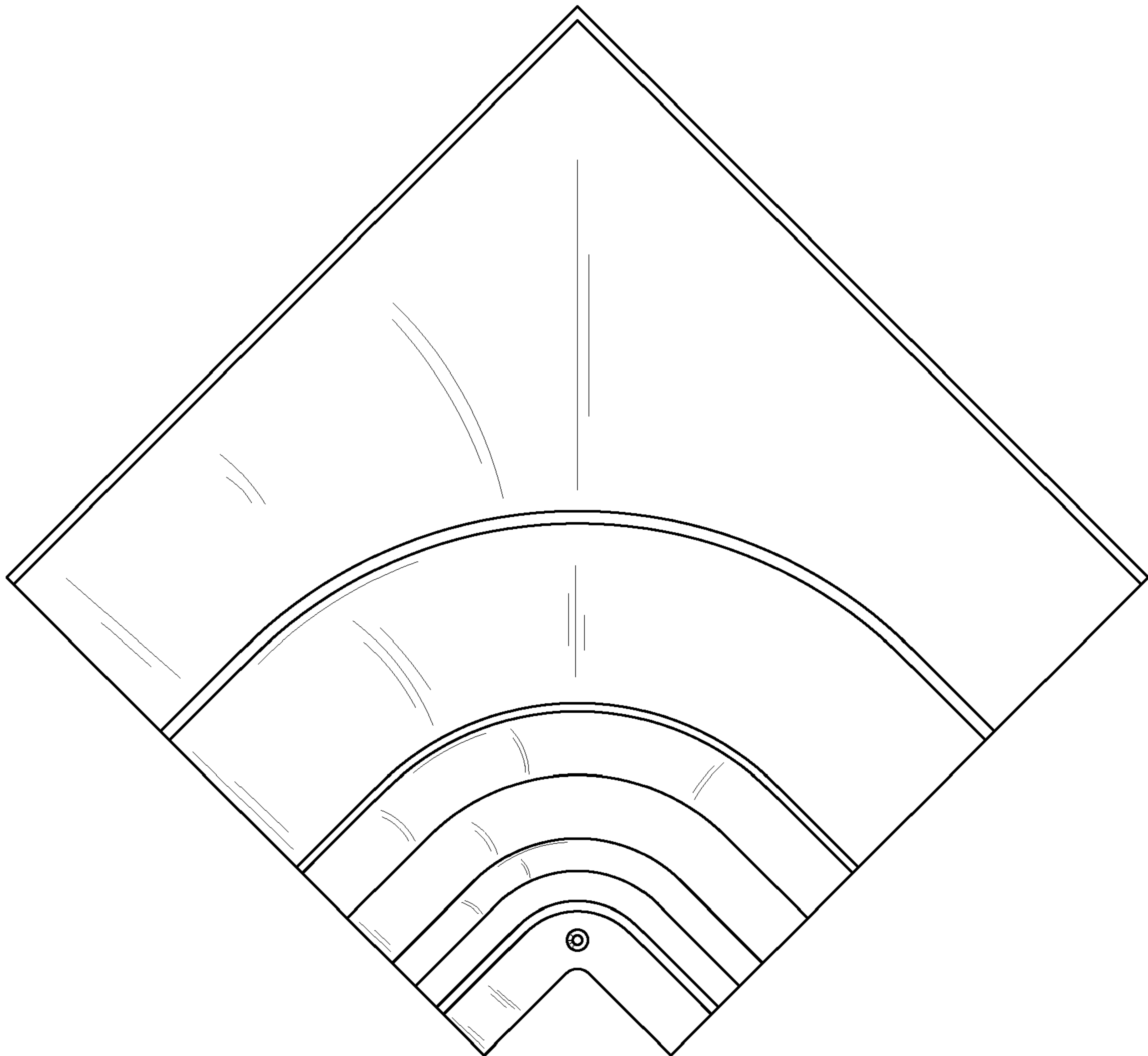


FIG. 29

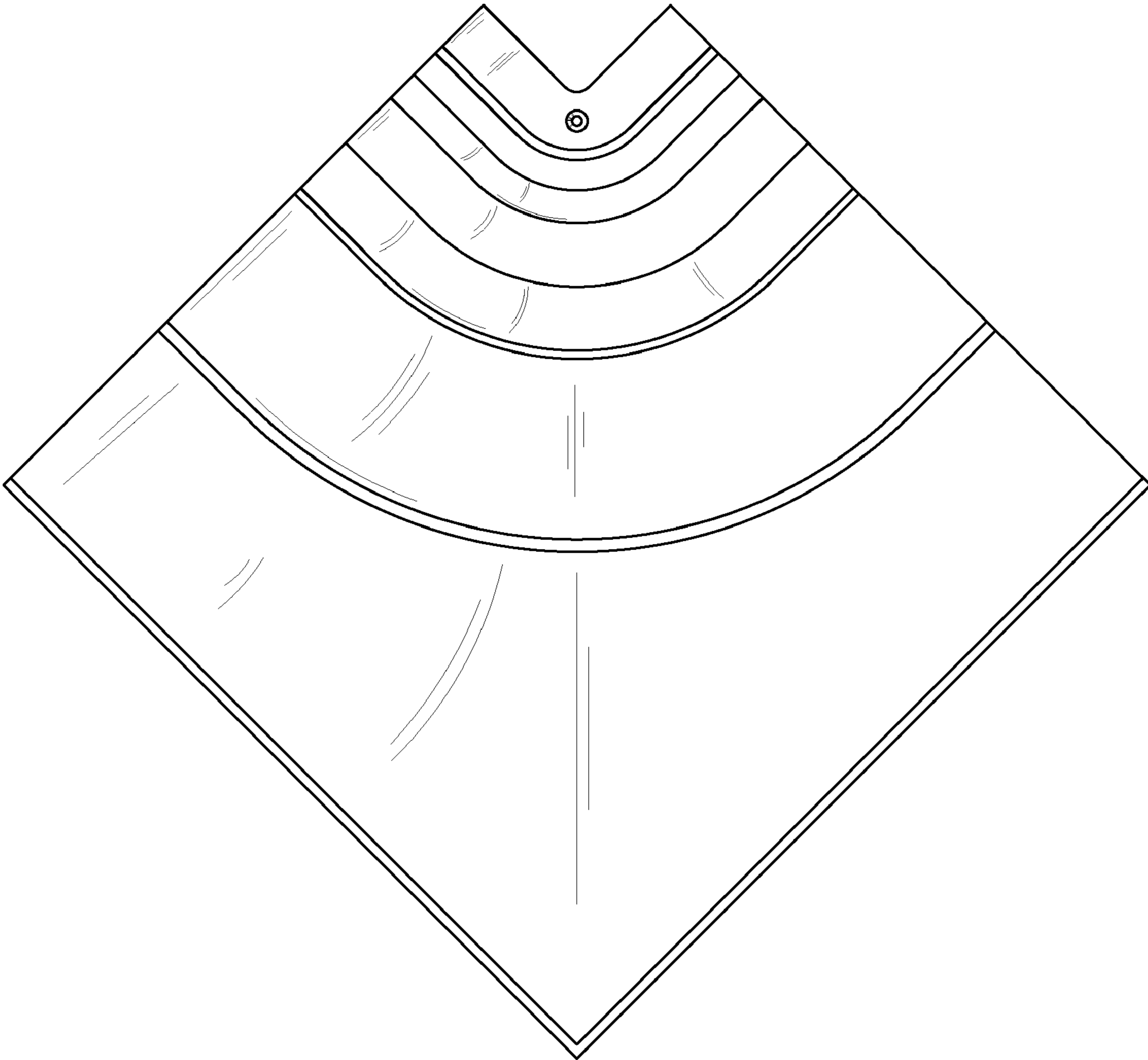


FIG. 30

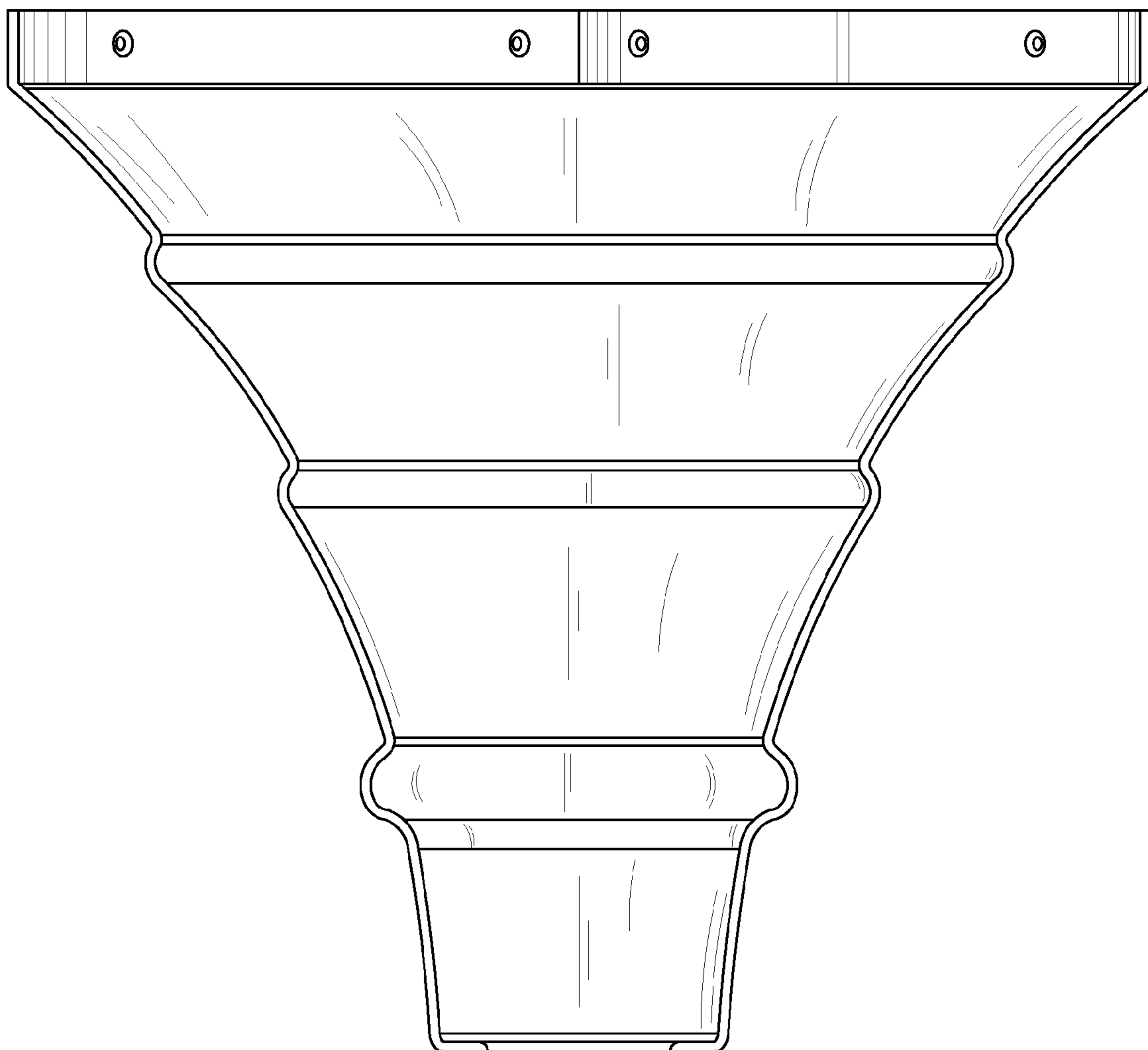




FIG. 31

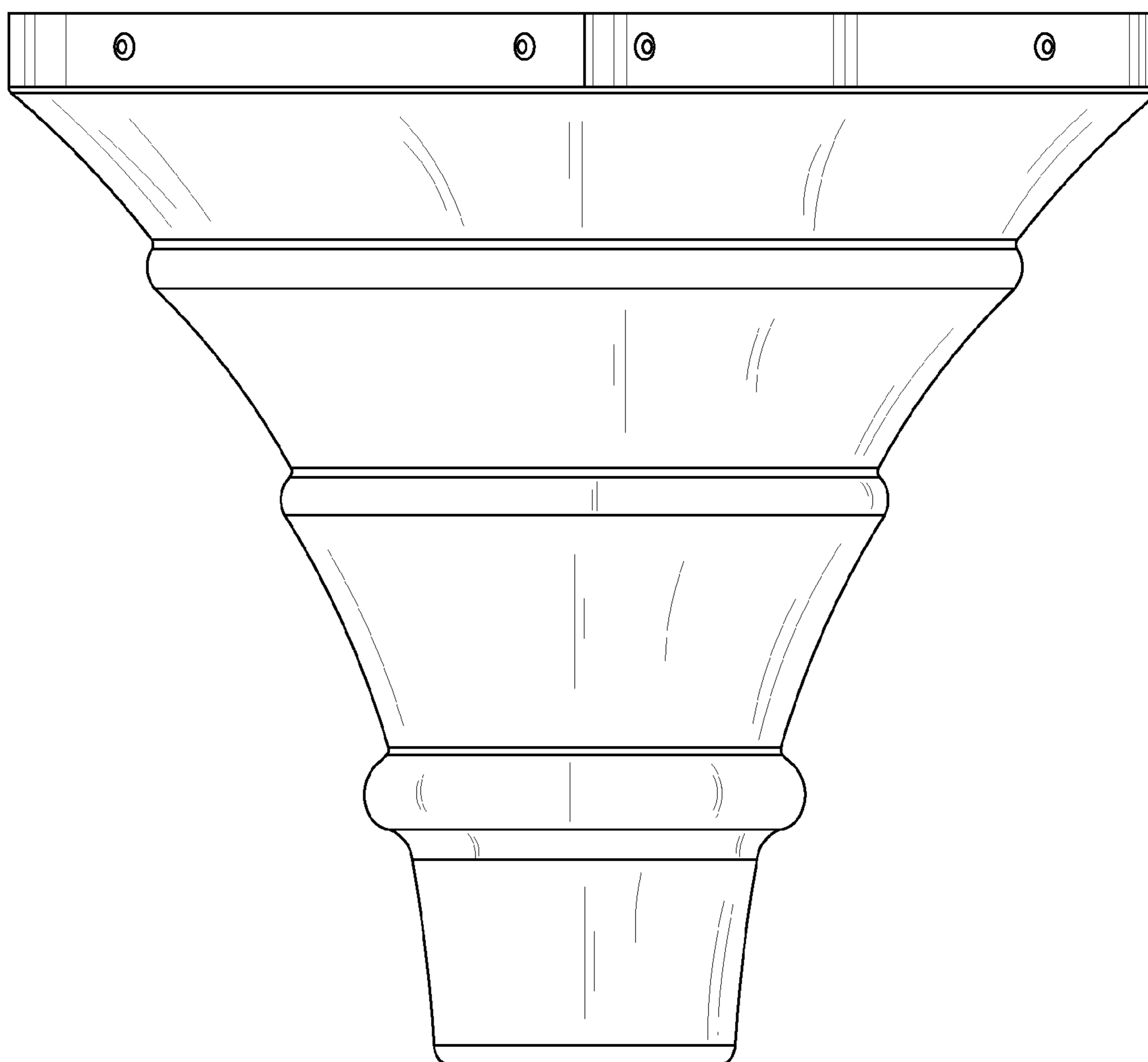


FIG. 32

