



US00D623800S

(12) **United States Design Patent**
Clemons

(10) **Patent No.:** **US D623,800 S**

(45) **Date of Patent:** **** Sep. 14, 2010**

(54) **DISPOSABLE RAZOR WITH HANDLE
EXTENSION**

(76) Inventor: **Karl Albert Clemons**, 7116 Larkin Dr.,
Dallas, TX (US) 75227

(**) Term: **14 Years**

(21) Appl. No.: **29/355,384**

(22) Filed: **Feb. 5, 2010**

(51) **LOC (9) Cl.** **28-03**

(52) **U.S. Cl.** **D28/46**

(58) **Field of Classification Search** D28/44-48;
30/32, 34.05, 34.1-34.2, 41, 44-46, 47-51,
30/57-58, 77-84, 526-539

See application file for complete search history.

(56) **References Cited**

U.S. PATENT DOCUMENTS

5,167,069 A	12/1992	Quinn	
D370,742 S	6/1996	Chase	
D408,584 S	4/1999	Ido	
D431,681 S	10/2000	Seger	
D444,915 S	7/2001	Bianco	
D472,673 S	4/2003	Carvotta	
D507,379 S	7/2005	Alphonso	
7,103,980 B2 *	9/2006	Leventhal	30/526
D531,358 S	10/2006	Lee	
D540,489 S *	4/2007	Leventhal et al.	D28/46
D542,468 S	5/2007	Stiles	
D552,794 S	10/2007	Klein	
D560,032 S	1/2008	Lopez	
D593,711 S	6/2009	Yamamoto	
D603,096 S	10/2009	Greene	
D605,362 S	12/2009	Andersen	

D611,653 S * 3/2010 Marut D28/46
2007/0062043 A1 * 3/2007 Marut 30/50

* cited by examiner

Primary Examiner—Jennifer Rivard

(74) *Attorney, Agent, or Firm*—QuickPatents, Inc.; Kevin Prince

(57) **CLAIM**

What is claimed is the ornamental design for a disposable razor with handle extension, as shown and described.

DESCRIPTION

FIG. 1 is a perspective view of a disposable razor with handle extension, showing the new design, illustrated in an extended configuration;

FIG. 2 is a front elevational view thereof, illustrated in the extended configuration;

FIG. 3 is a left-side elevational view thereof, illustrated in the extended configuration, the right-side elevational view being a mirror image thereof;

FIG. 4 is a rear elevational view thereof, illustrated in the extended configuration;

FIG. 5 is a perspective view thereof, illustrated in a collapsed configuration;

FIG. 6 is a left-side elevational view thereof, illustrated in the collapsed configuration, the right-side elevational view being a mirror image thereof;

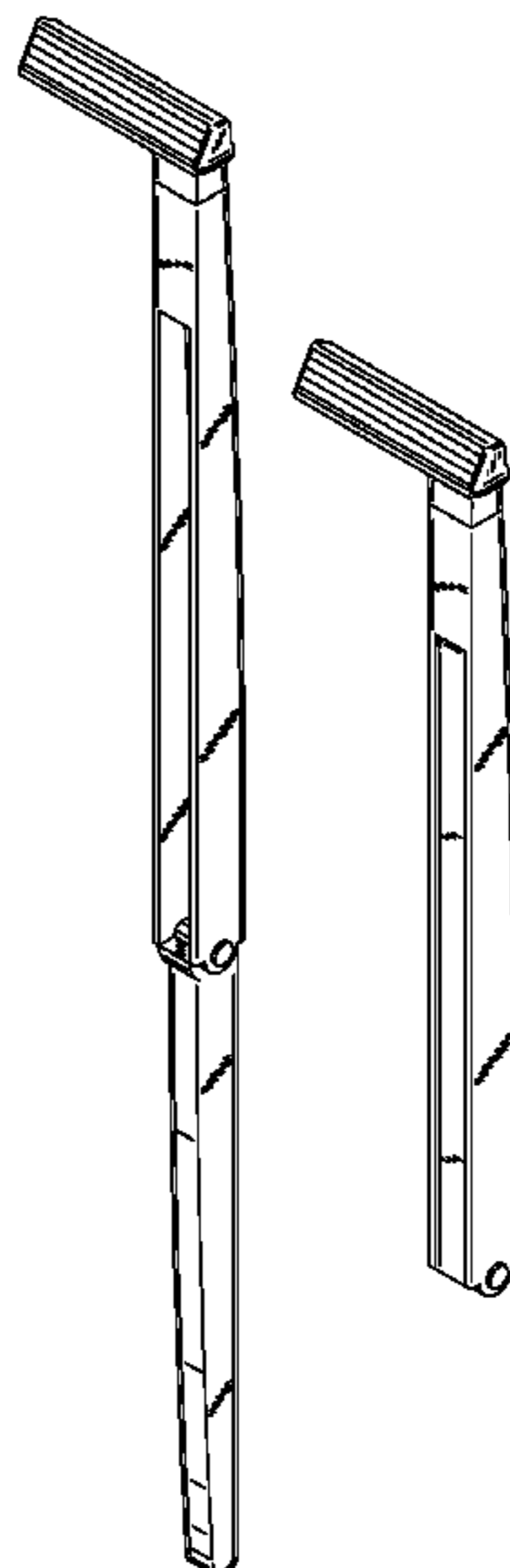
FIG. 7 is a top plan view thereof;

FIG. 8 is a bottom plan view thereof, illustrated in the collapsed configuration;

FIG. 9 is a front elevational view thereof, illustrated in the collapsed configuration; and,

FIG. 10 is a rear elevational view thereof, illustrated in the collapsed configuration.

1 Claim, 4 Drawing Sheets



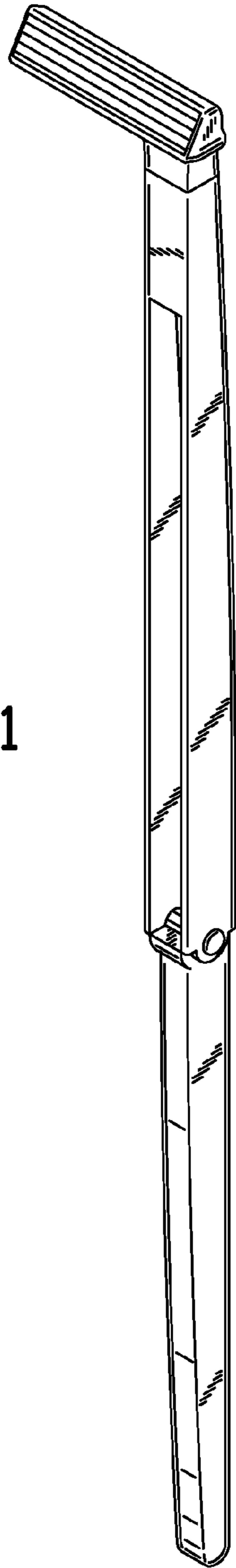


FIG. 1

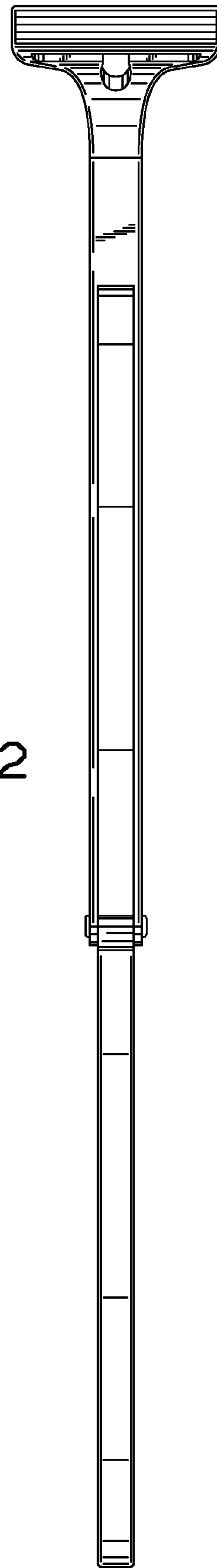


FIG. 2

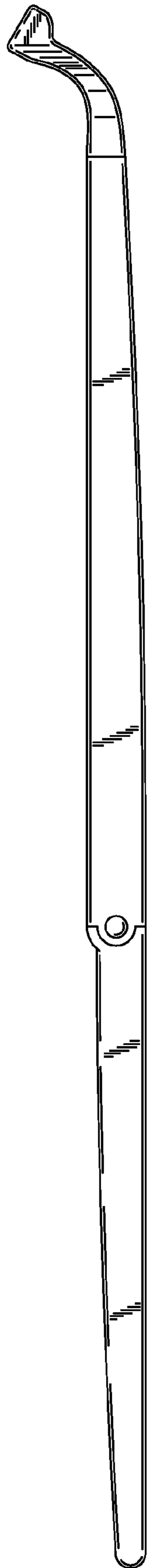


FIG. 3

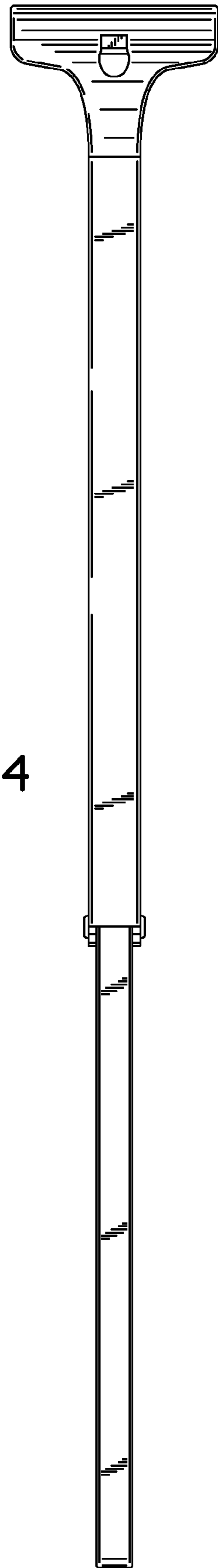


FIG. 4

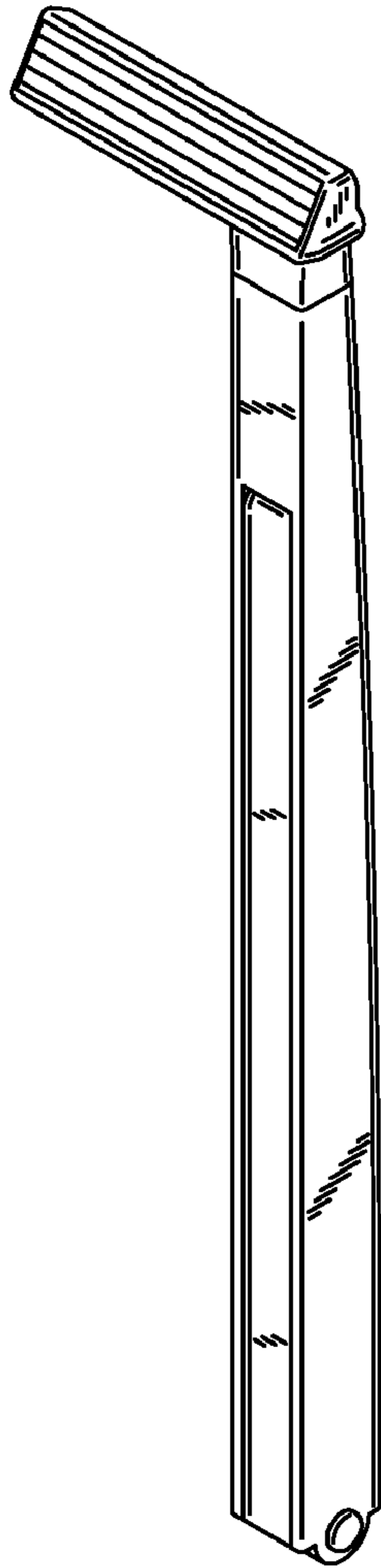


FIG. 5

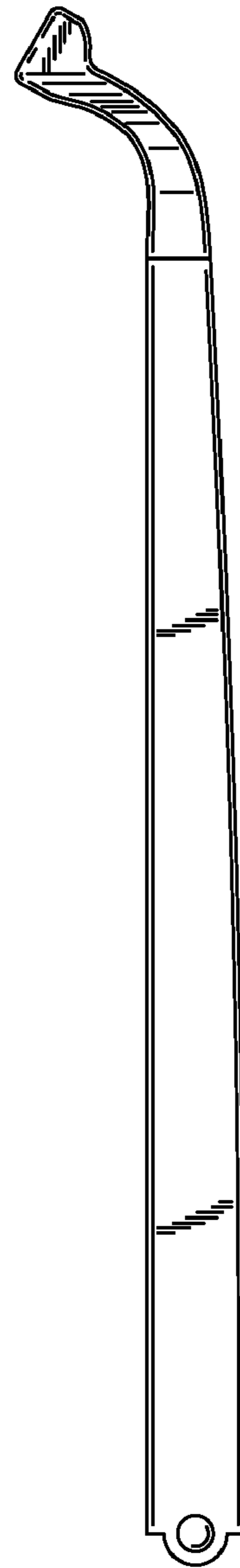


FIG. 6

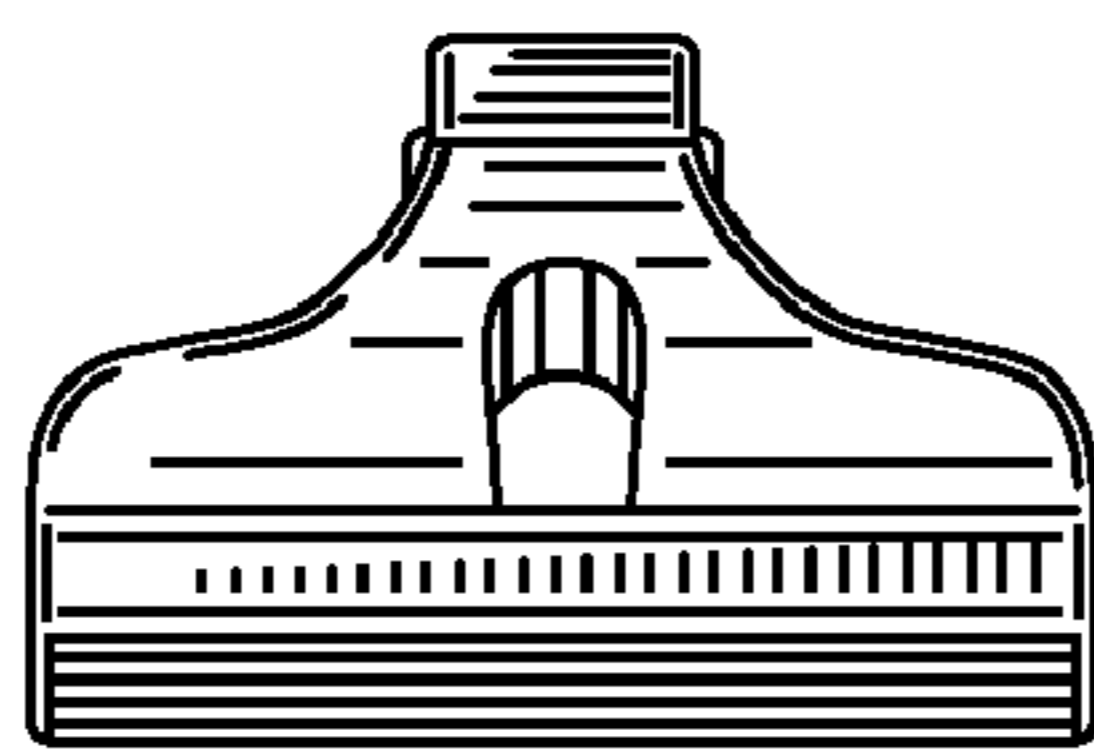


FIG. 7

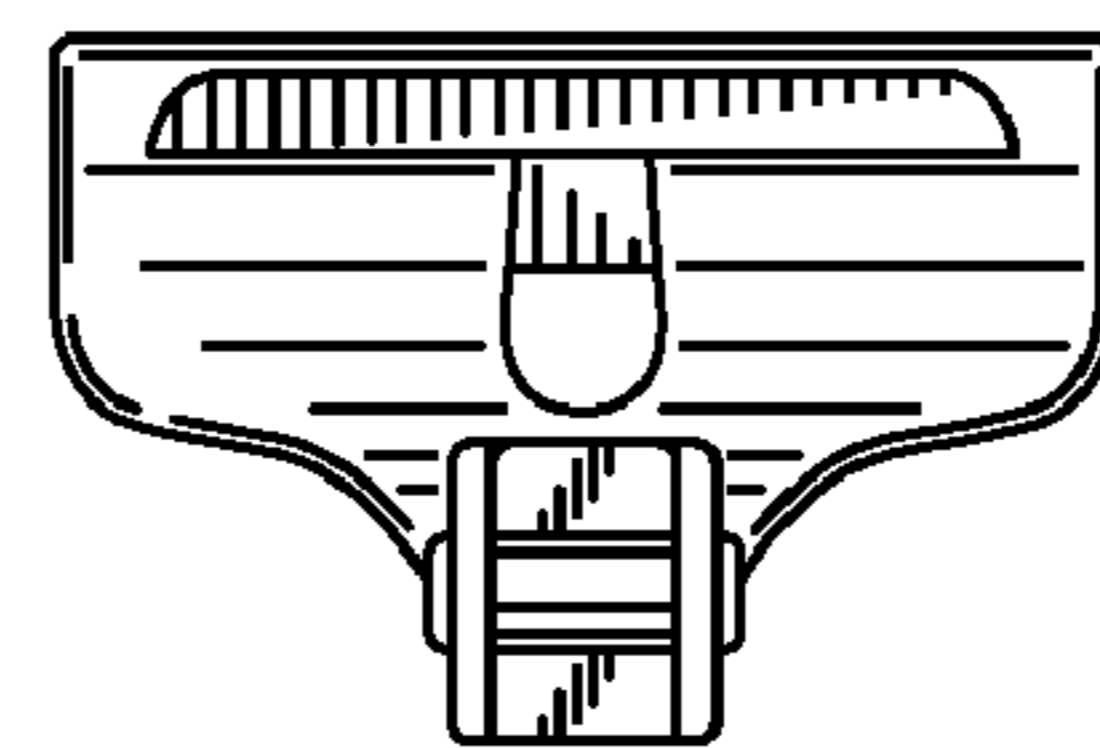


FIG. 8

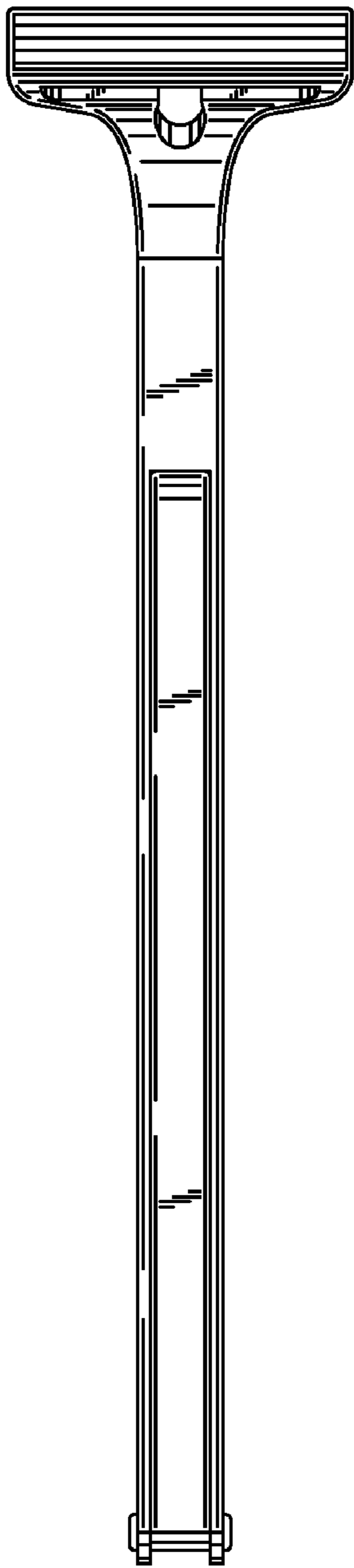


FIG. 9

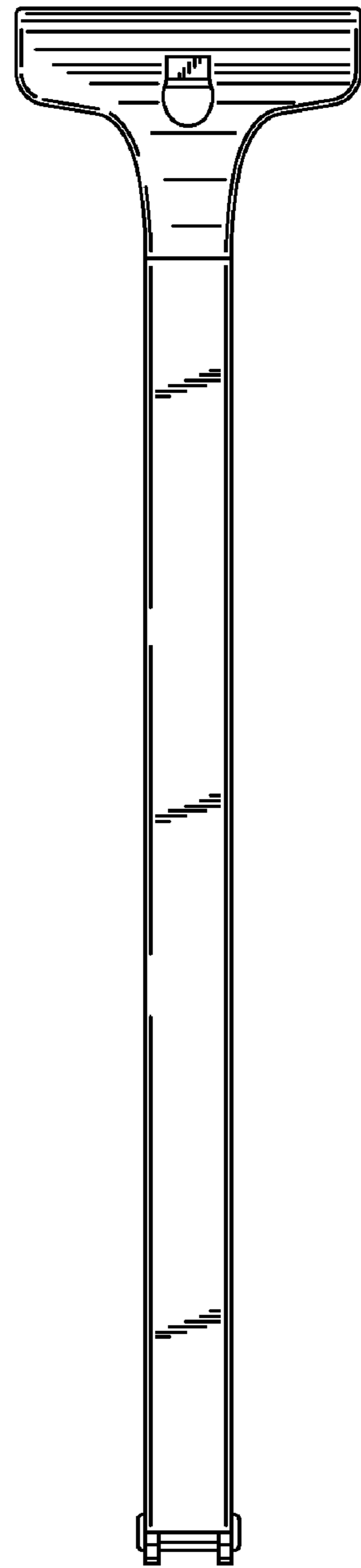


FIG. 10