



US00D623797S

(12) **United States Design Patent**
Boissevain

(10) **Patent No.:** **US D623,797 S**
(45) **Date of Patent:** **** Sep. 14, 2010**

(54) **LUMINAIRE FACE PLATE**
(75) Inventor: **Chris Boissevain**, Wimberley, TX (US)
(73) Assignee: **Koninklijke Philips Electronics N.V.**,
Eindhoven (NL)
(**) Term: **14 Years**
(21) Appl. No.: **29/337,422**
(22) Filed: **May 21, 2009**

D294,737 S * 3/1988 Platner D26/86
D294,977 S * 3/1988 Platner D26/86
D323,906 S * 2/1992 Miranda et al. D26/85
D339,203 S * 9/1993 Namenye et al. D26/85
D339,654 S * 9/1993 Chan D26/131
D351,040 S * 9/1994 Lin D26/108

(51) **LOC (9) Cl.** **26-99**
(52) **U.S. Cl.** **D26/118**
(58) **Field of Classification Search** D26/124,
D26/123, 129, 130, 131, 120, 113, 152, 138,
D26/72, 77, 81, 83, 139, 85, 71, 87, 26, 118,
D26/125, 73, 9, 134, 84, 127, 63, 50, 119,
D26/60, 67, 128, 88, 86, 141, 142, 145, 153,
D26/154, 155, 76, 78, 122; 428/26; 362/147,
362/351, 365, 350, 348, 335, 364, 235, 249.02,
362/294, 345, 366, 249.1, 25, 240, 376, 221,
362/223, 325, 342; D12/163, 193; D11/125,
D11/121, 49, 117, 184; D1/106, 107; D23/366;
D6/332

See application file for complete search history.

(56) **References Cited**

U.S. PATENT DOCUMENTS

1,708,714 A * 4/1929 Adamaitis 362/322
D79,979 S * 11/1929 Ohm D26/128
1,753,981 A * 4/1930 Beardsley 362/446
D111,540 S * 9/1938 Guyer D26/102
D161,830 S * 2/1951 Grossman D26/128
D162,345 S * 3/1951 Roney D23/366
D170,188 S * 8/1953 Flood, Jr. D26/85
D183,152 S * 7/1958 Wellhofer D10/118
D190,671 S * 6/1961 Rambusch D26/85
3,178,569 A * 4/1965 Martin 362/296.05
D222,555 S * 11/1971 Magistretti D26/108
D223,546 S * 5/1972 Gandini D26/108
D285,489 S * 9/1986 Russell D26/86
D291,604 S * 8/1987 Watson D26/68
D294,648 S * 3/1988 Platner D26/86

(Continued)

Primary Examiner—Cathron C Brooks
Assistant Examiner—Kevin K Rudzinski

(57) **CLAIM**

The ornamental design for a luminaire face plate, as shown and described.

DESCRIPTION

FIG. 1 is a left front top perspective view of the luminaire face plate of the present invention;

FIG. 2 is a front bottom perspective view of the luminaire face plate of FIG. 1;

FIG. 3 is a right top rear perspective view of the luminaire face plate of FIG. 1;

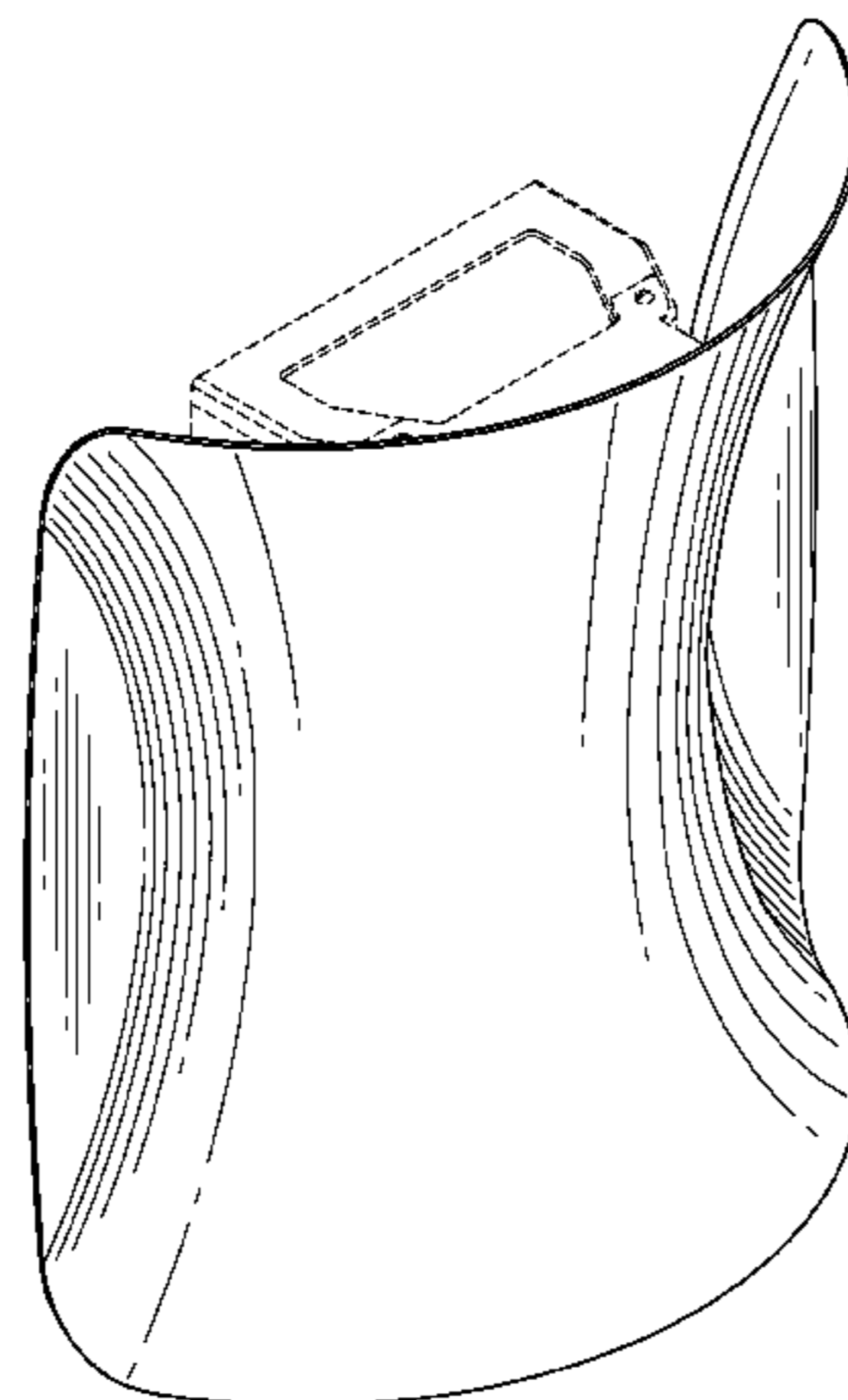
FIG. 4 is a front view of the luminaire face plate of FIG. 1;

FIG. 5 is a left side view of the luminaire face plate of FIG. 1, the right side view being a mirror image thereof; and,

FIG. 6 is a top view of the luminaire face plate of FIG. 1, the bottom view being a mirror image thereof.

The broken lines showing environmental structure are for illustrative purposes only and form no part of the claimed design. The rear portions of the luminaire face plate not shown in the drawings form no part of the claimed design.

1 Claim, 6 Drawing Sheets



US D623,797 S

Page 2

U.S. PATENT DOCUMENTS

D355,497 S *	2/1995	Ancona et al.	D26/26	D486,600 S *	2/2004	Coe	D26/85
D364,242 S *	11/1995	Fiorato	D26/85	D492,799 S *	7/2004	Friedman	D26/26
D379,549 S *	5/1997	Vargas, Jr.	D26/128	D499,480 S *	12/2004	Stauffer	D23/411
D398,415 S *	9/1998	Markee	D26/87	D506,949 S *	7/2005	Scansetti	D11/140
D403,458 S *	12/1998	Walz	D26/85	D507,844 S *	7/2005	Friedman	D26/118
D413,000 S *	8/1999	Littman	D26/85	D512,175 S *	11/2005	Santachiara	D26/108
D429,352 S *	8/2000	Weinstein	D26/26	6,959,510 B1 *	11/2005	Nelson et al.	43/113
D429,361 S *	8/2000	Tihany	D26/87	D517,186 S *	3/2006	Grodsky et al.	D23/366
D429,362 S *	8/2000	Landefeld	D26/87	D544,990 S *	6/2007	Guercio	D26/118
D439,364 S *	3/2001	Avigor	D26/118	D548,872 S *	8/2007	Dubbeldam et al.	D26/85
D445,943 S *	7/2001	Littman	D26/87	D550,390 S *	9/2007	Chandler	D26/87
D449,169 S *	10/2001	Bennie et al.	D6/332	D561,257 S *	2/2008	Frey	D20/10
D452,031 S *	12/2001	Brunner et al.	D26/87	D570,516 S *	6/2008	Orellana	D26/71
D455,223 S *	4/2002	Crosby	D26/85	D571,409 S *	6/2008	Frey	D20/10
D469,910 S *	2/2003	St-Pierre	D26/85	D578,241 S *	10/2008	Montalbano et al.	D26/85
D481,546 S *	11/2003	Dowd	D6/332	D579,599 S *	10/2008	Salatto-Rose	D26/85

* cited by examiner

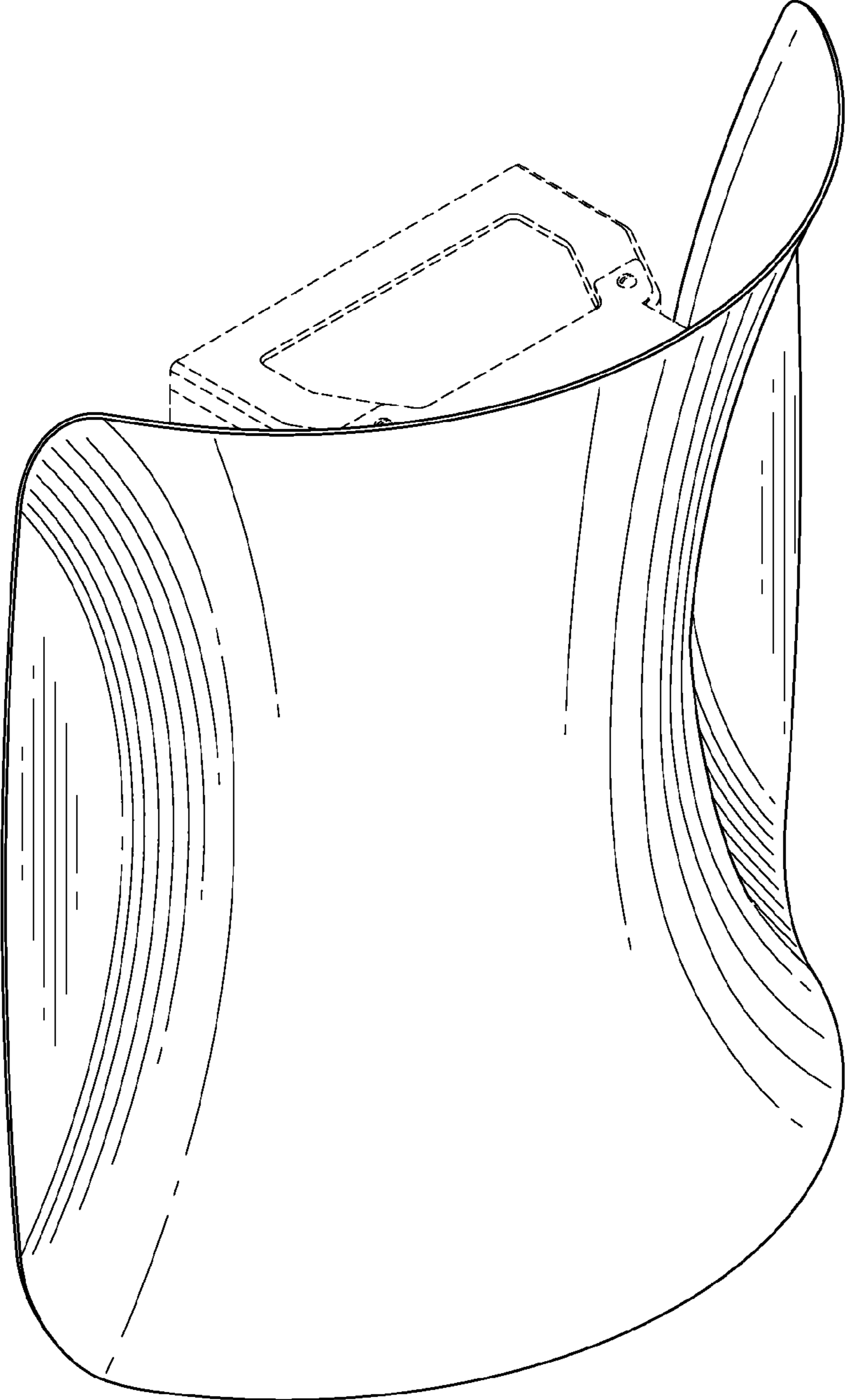


FIG. 1

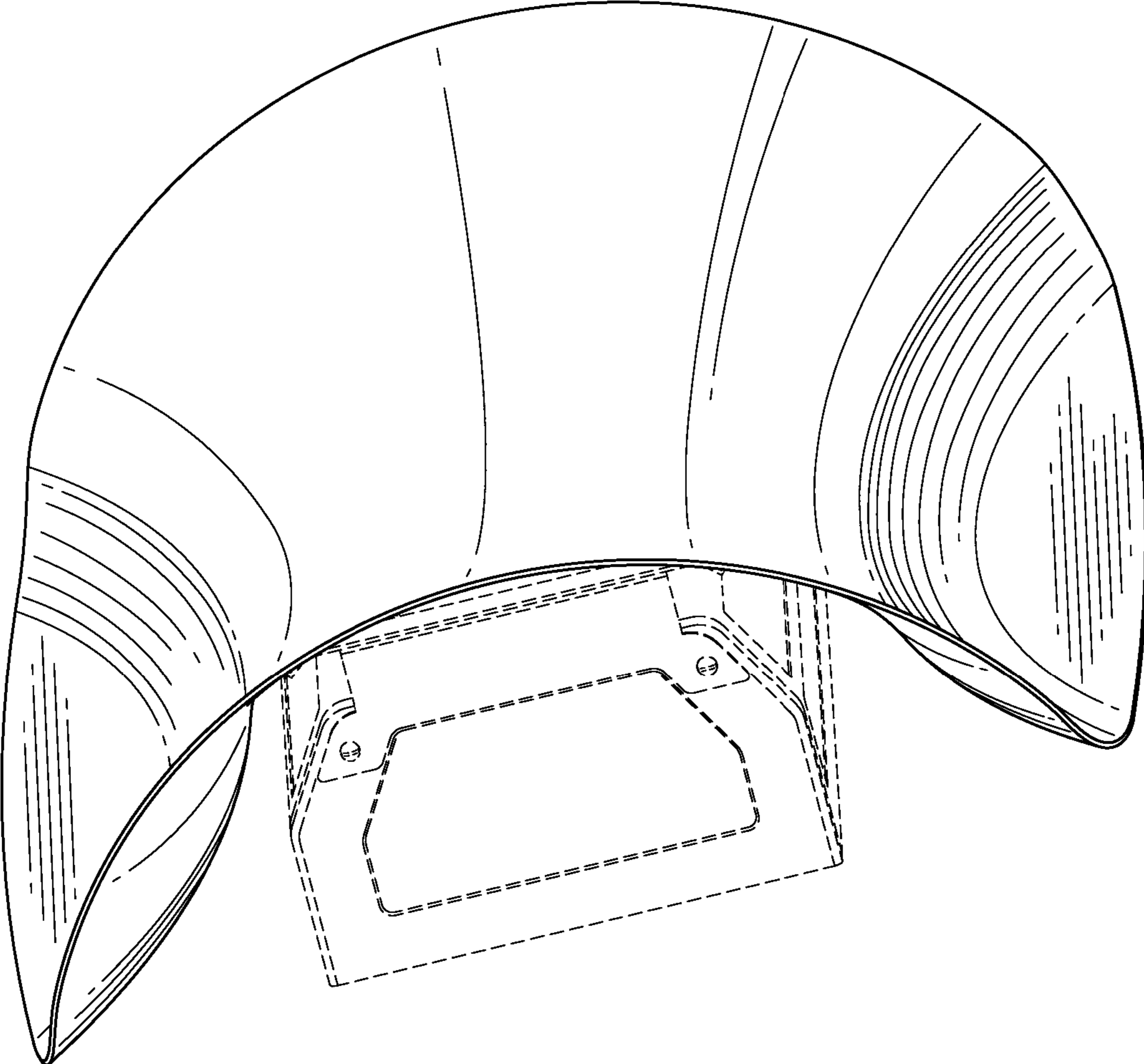


FIG. 2

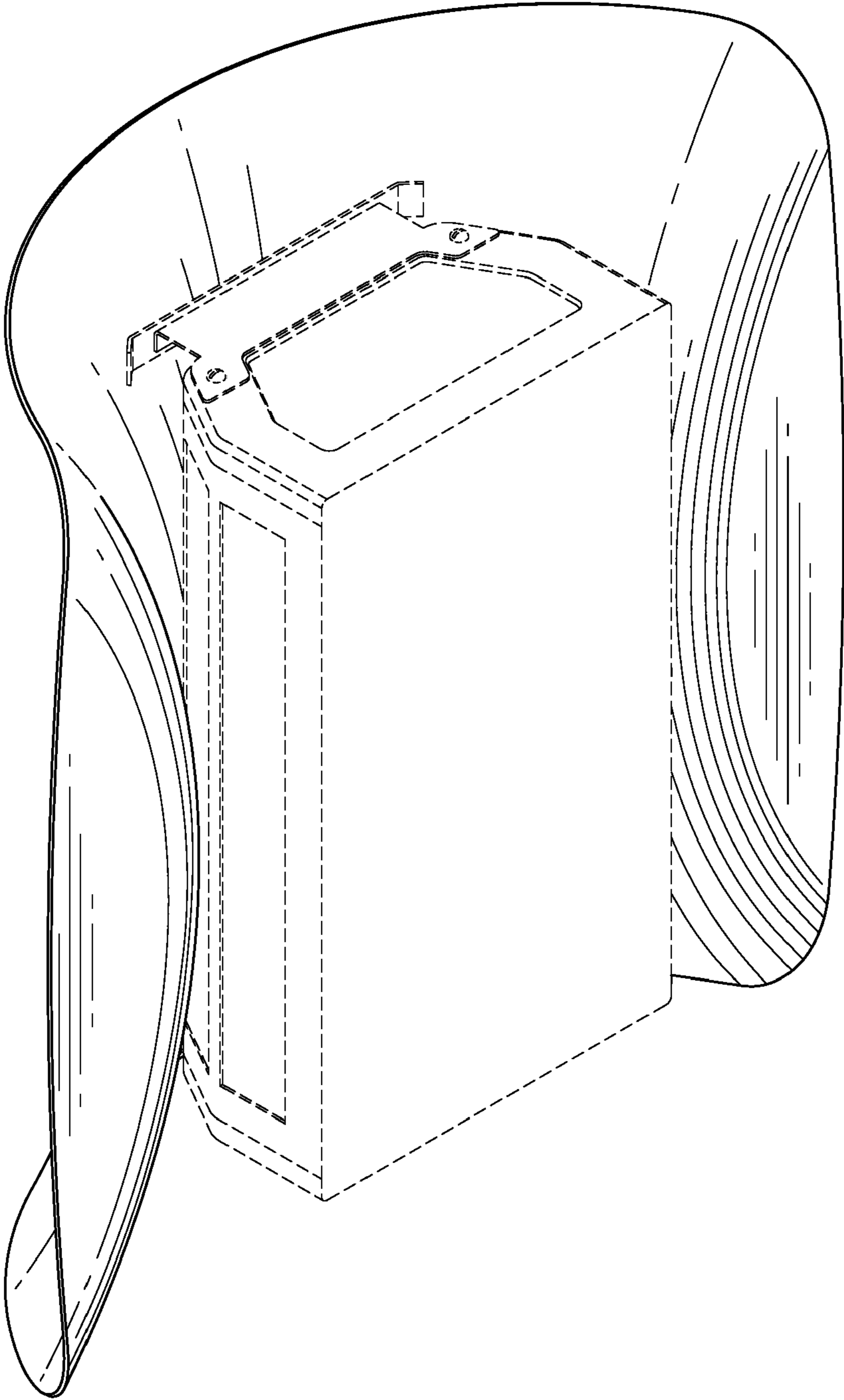


FIG. 3

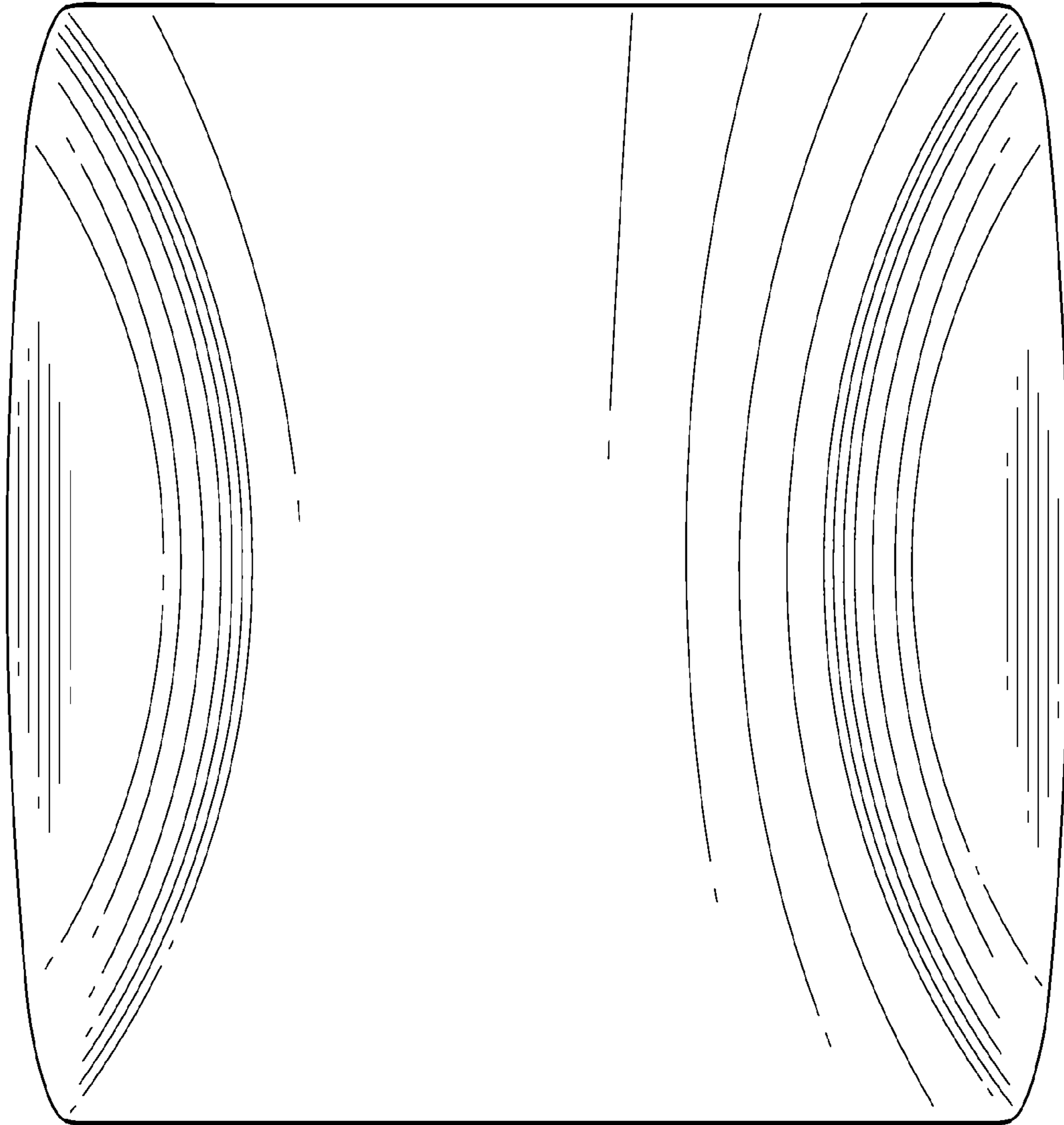


FIG. 4

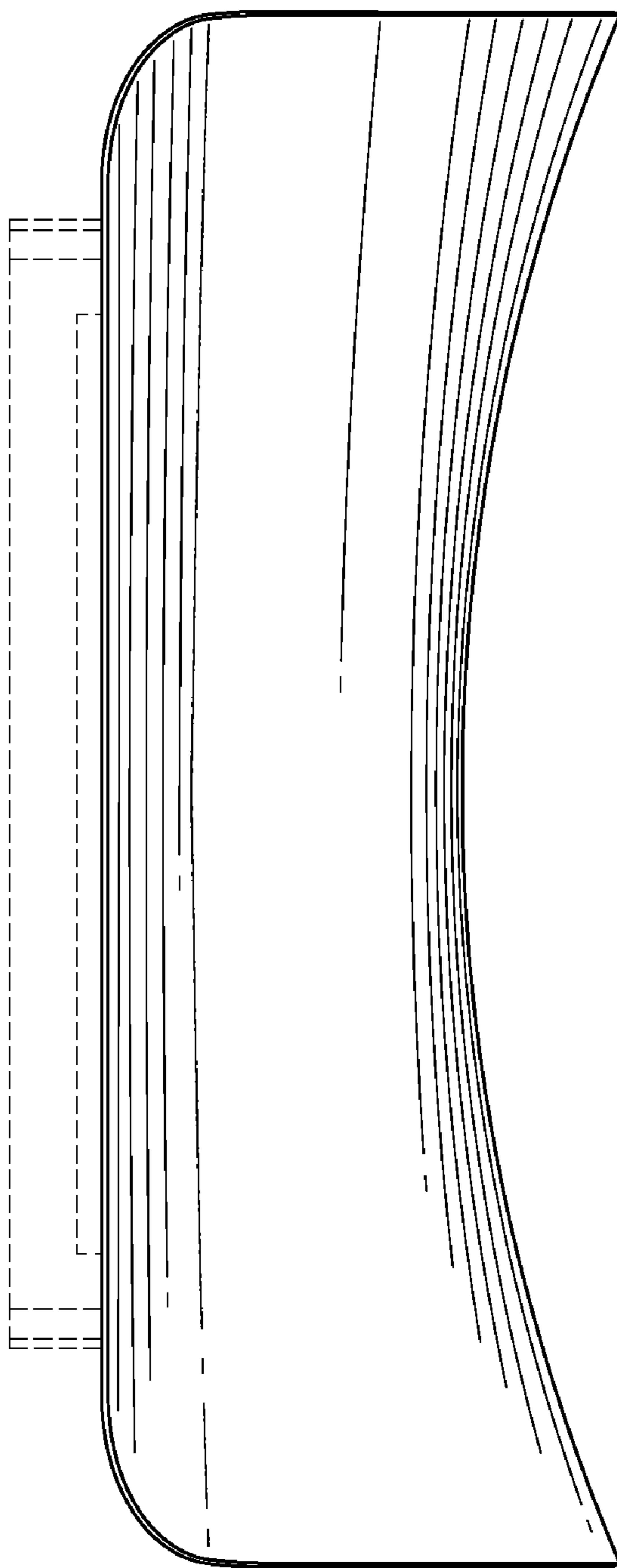


FIG. 5

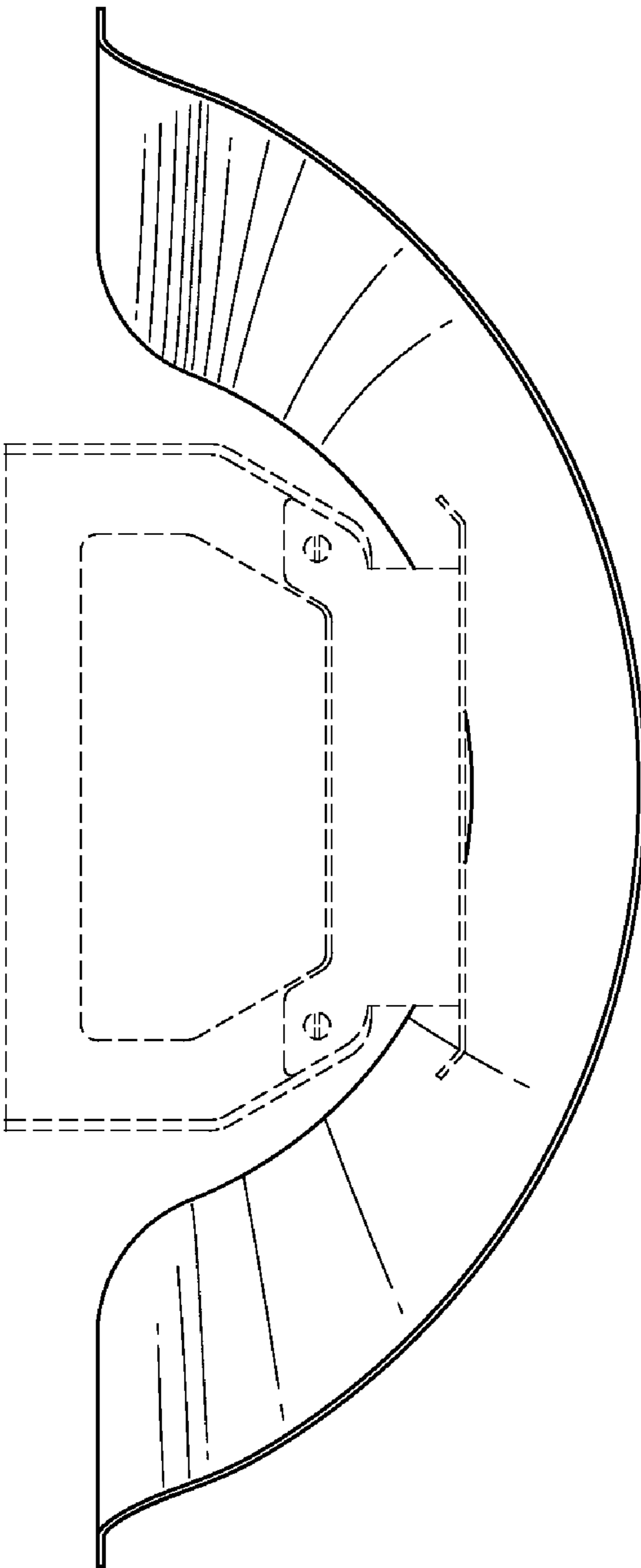


FIG. 6