



US00D623796S

(12) **United States Design Patent**
Raske

(10) **Patent No.:** **US D623,796 S**

(45) **Date of Patent:** **** Sep. 14, 2010**

(54) **LAMP**

D606,693 S * 12/2009 Waldmann D26/65

(76) Inventor: **Howard Raske**, 611 A Kingston Terrace
Dr., Princeton, NJ (US) 08540

* cited by examiner

Primary Examiner—Brian N Vinson

(**) Term: **14 Years**

(21) Appl. No.: **29/342,892**

(57) **CLAIM**

The ornamental design for a lamp, as shown and described.

(22) Filed: **Sep. 2, 2009**

DESCRIPTION

(51) **LOC (9) Cl.** **26-03**

(52) **U.S. Cl.** **D26/93**

(58) **Field of Classification Search** D26/1,
D26/24, 67, 93-94, 104-110, 61, 65; 362/3,
362/153, 186, 217, 255, 257, 277, 317, 351,
362/353, 362, 363, 382, 431, 433, 458, 806
See application file for complete search history.

FIG. 1 is a top, rear, and right side perspective view of a lamp showing my new design;

FIG. 2 is a front elevational view thereof;

FIG. 3 is a rear elevational view thereof;

FIG. 4 is a left side elevational view thereof;

FIG. 5 is a top plan view thereof; and,

FIG. 6 is a bottom plan view thereof.

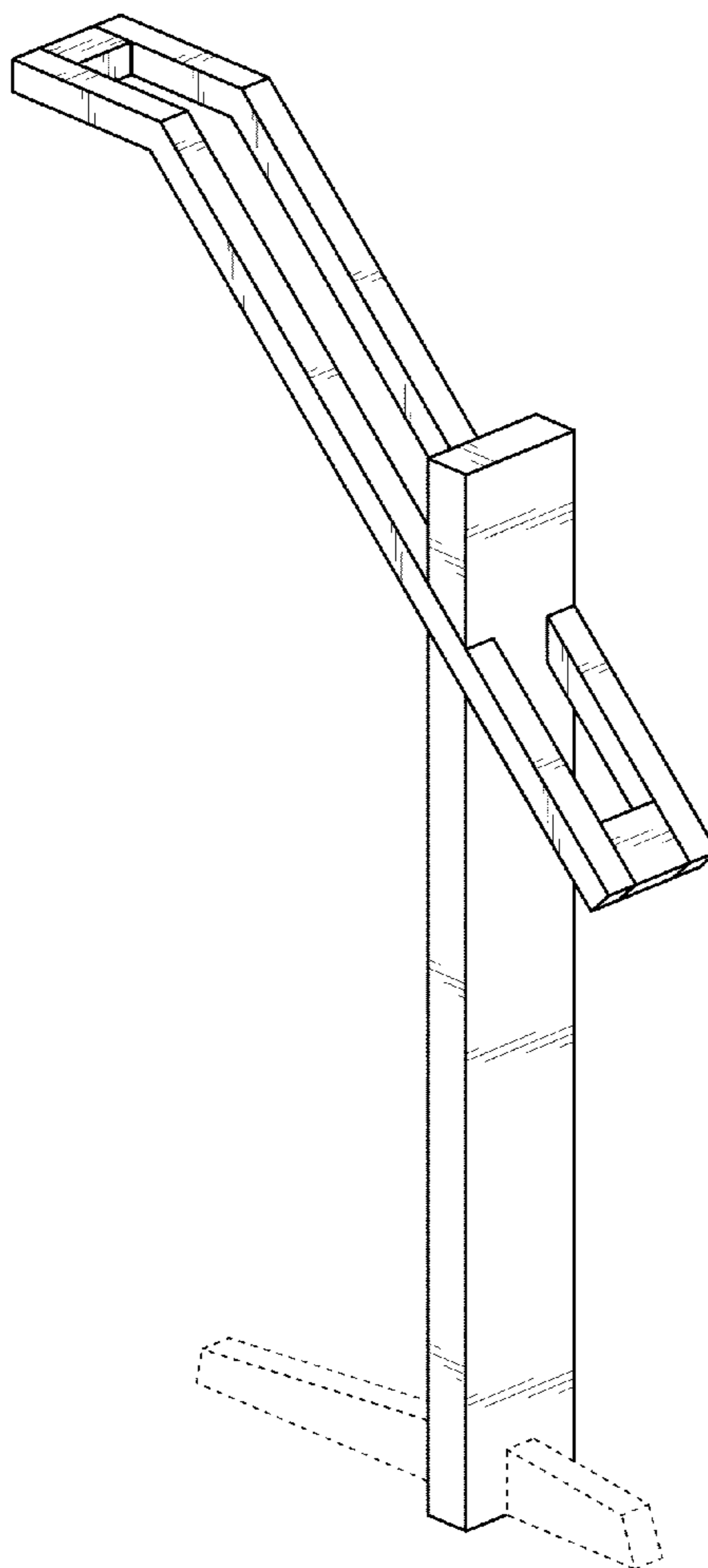
The broken-line disclosure in the views is understood to disclose a portion of the article in which the claimed design is embodied, but which forms no part of the claimed design.

(56) **References Cited**

U.S. PATENT DOCUMENTS

D293,030 S	*	12/1987	Vladescu	D26/93
D382,362 S	*	8/1997	Huang	D26/65
D579,597 S	*	10/2008	Ng	D26/61
D603,993 S	*	11/2009	Sabernig	D26/65

1 Claim, 4 Drawing Sheets



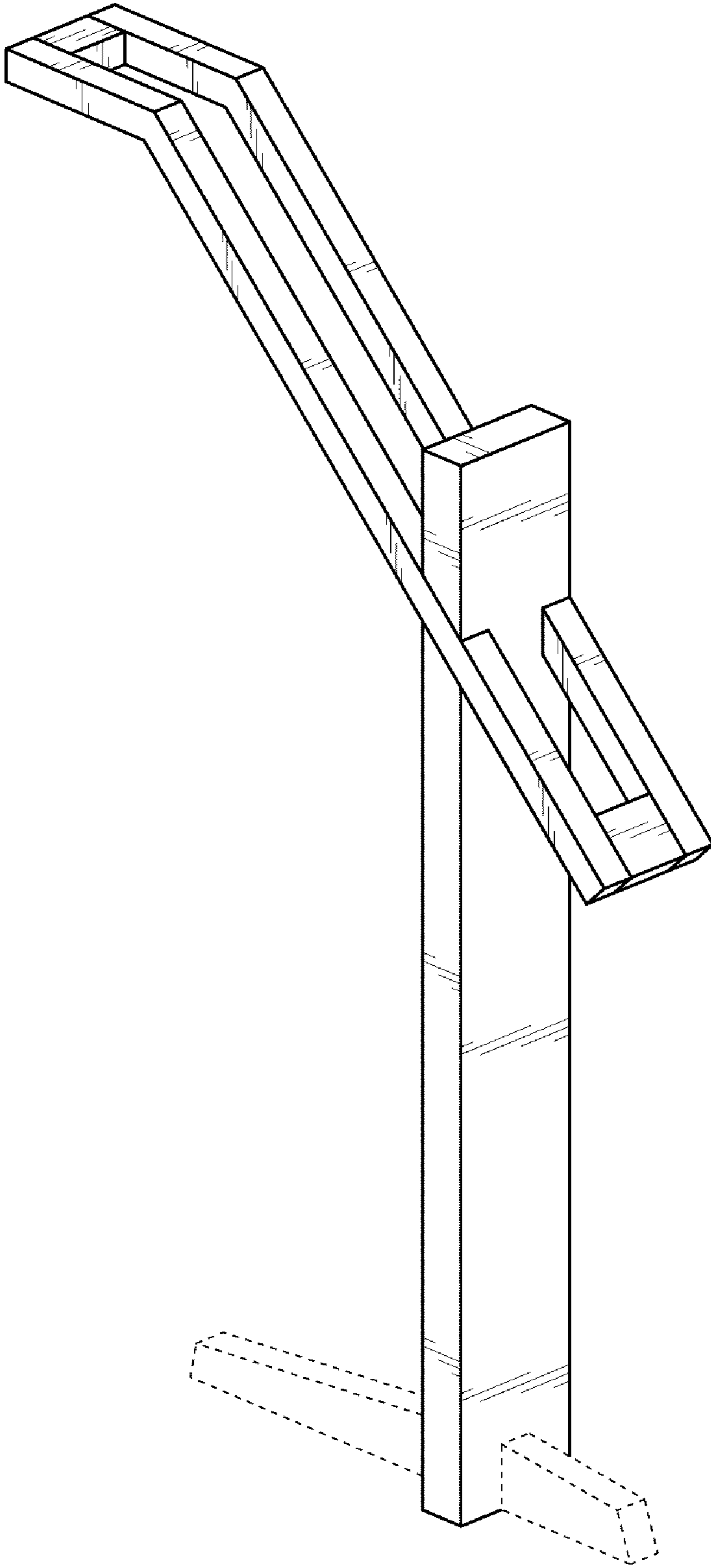


Fig. 1

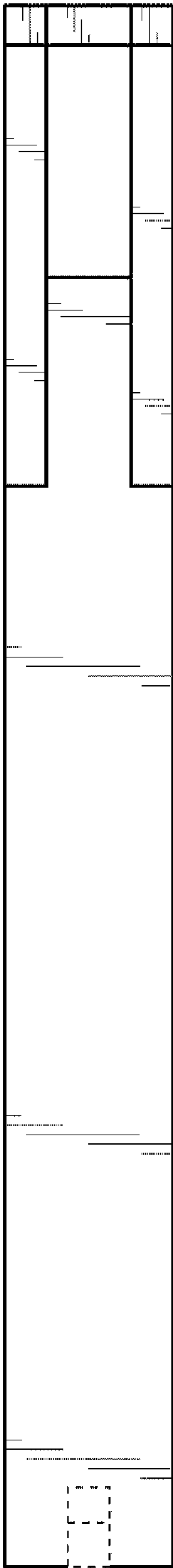


Fig. 2

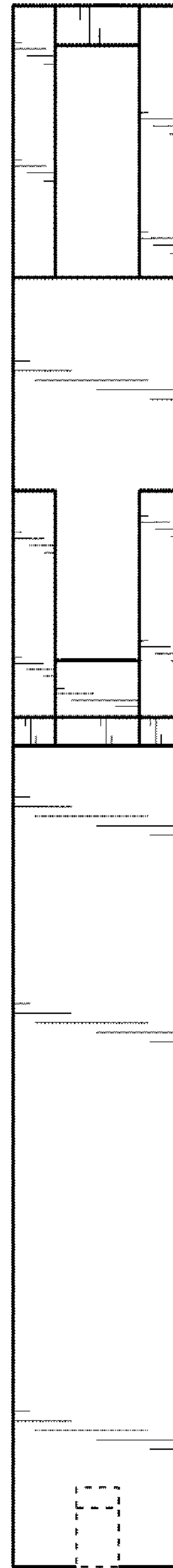


Fig. 3

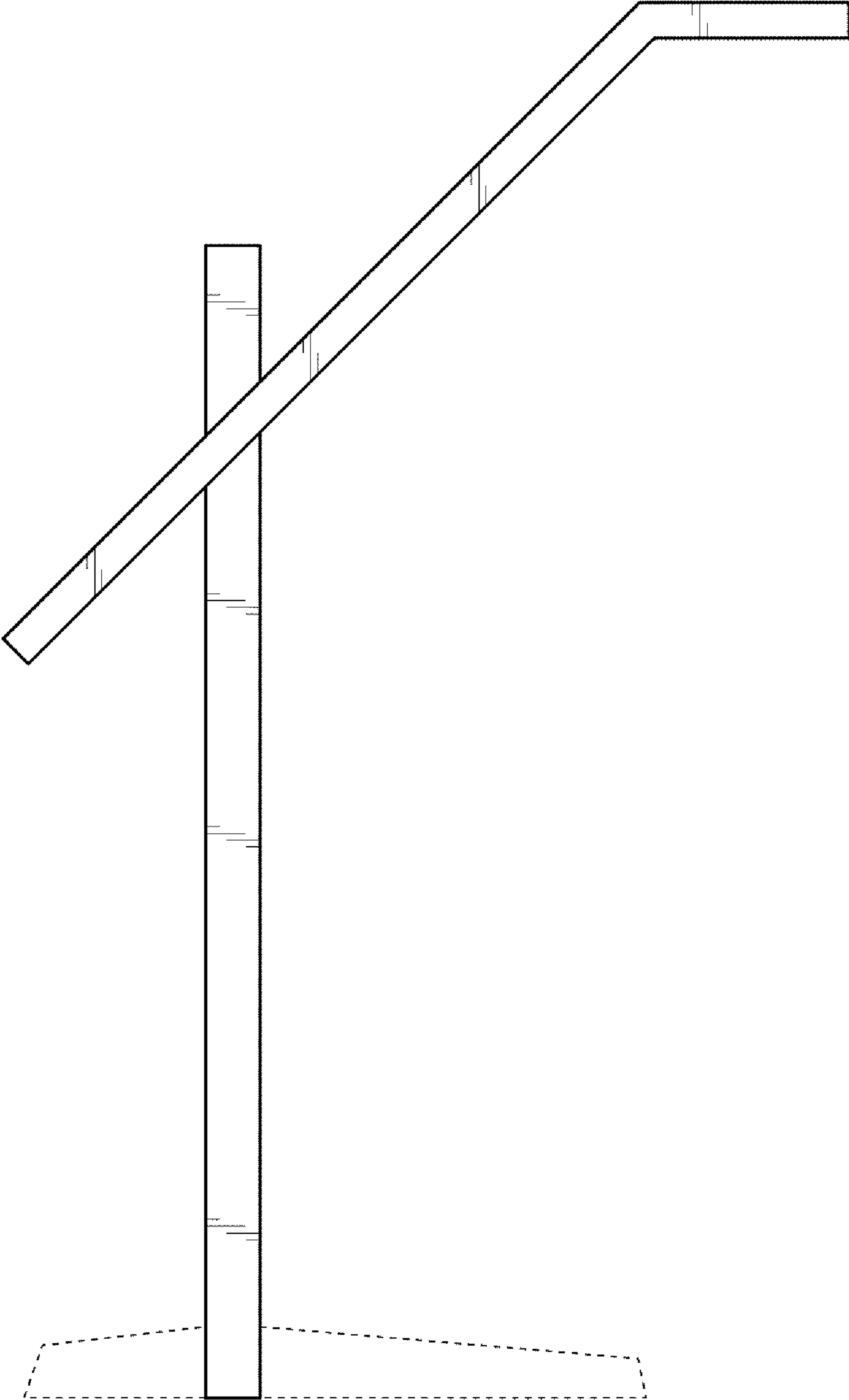


Fig. 4

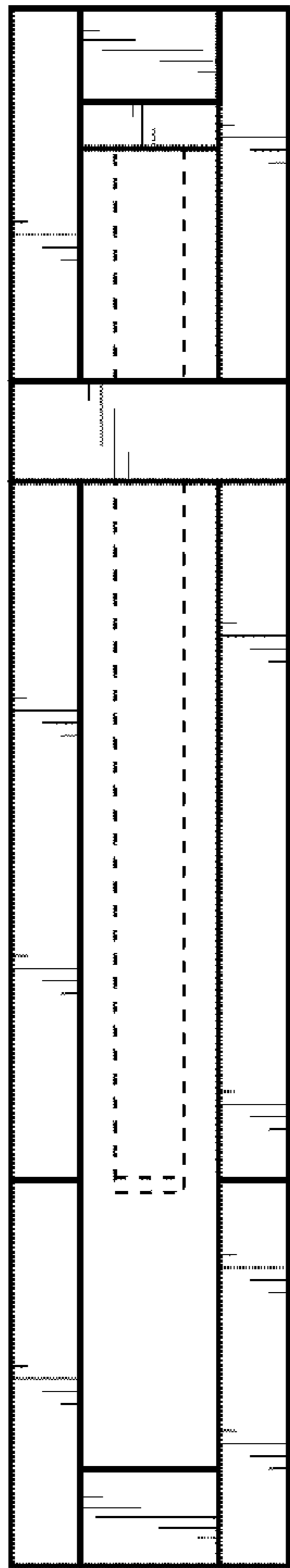


Fig. 5

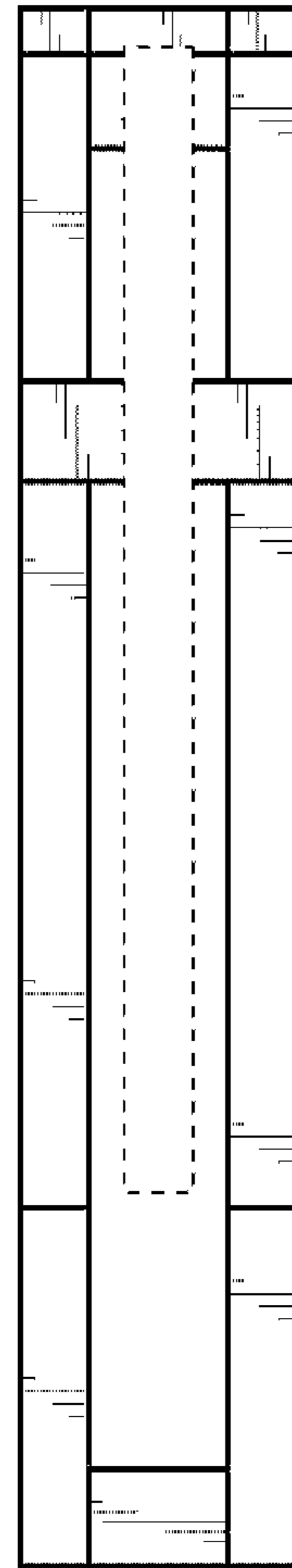


Fig. 6