



US00D623792S

(12) **United States Design Patent**
Nankil

(10) **Patent No.:** **US D623,792 S**

(45) **Date of Patent:** **** Sep. 14, 2010**

(54) **LIGHT FIXTURE HAVING A REFLECTIVE COVER**

D284,223 S 6/1986 Harvey
D296,369 S 6/1988 Harvey

(Continued)

(75) Inventor: **Robert R. Nankil**, Buena Park, CA (US)

FOREIGN PATENT DOCUMENTS

(73) Assignee: **Hubbell Incorporated**, Shelton, CT (US)

GB D1050722 8/1988

(Continued)

(**) Term: **14 Years**

OTHER PUBLICATIONS

(21) Appl. No.: **29/347,033**

Selux Corp., Ritorno Round Asymmetrical Specification, at least as early as Jun. 2008 Selux Catalog, pp. RRA-0105-01 through RRA-0105-04, vol. ss-V3.21, Selux Corp., Highland, NY.

(22) Filed: **Aug. 27, 2009**

(Continued)

Related U.S. Application Data

(62) Division of application No. 29/311,043, filed on Dec. 15, 2008, now Pat. No. Des. 601,291.

Primary Examiner—Clare E Heflin

(74) *Attorney, Agent, or Firm*—Jenae C. Gureff; Mark S. Bicks; Alfred N. Goodman

(51) **LOC (9) Cl.** **26-03**

(52) **U.S. Cl.** **D26/87; D26/92**

(58) **Field of Classification Search** D26/67-72,
D26/85, 87, 92; 362/183, 431, 152-153.1,
362/432

See application file for complete search history.

(57) **CLAIM**

The ornamental design for a light fixture having a reflective cover, as shown and described.

(56) **References Cited**

U.S. PATENT DOCUMENTS

543,730 A	7/1895	Heap	
D63,550 S	* 12/1923	Batson D26/51
D75,431 S	* 6/1928	Kaplan et al. D26/51
D124,182 S	* 12/1940	McCann D26/87
D191,128 S	8/1961	Curtin	
D199,802 S	12/1964	Turner	
D200,214 S	2/1965	Simon	
3,805,055 A	4/1974	Cassey	
3,833,804 A	9/1974	Vesely	
D264,136 S	4/1982	Castiglioni	

DESCRIPTION

FIG. 1 is a top plan view of a light fixture having a reflective cover in accordance with the present invention;

FIG. 2 is a top perspective view of the light fixture thereof;

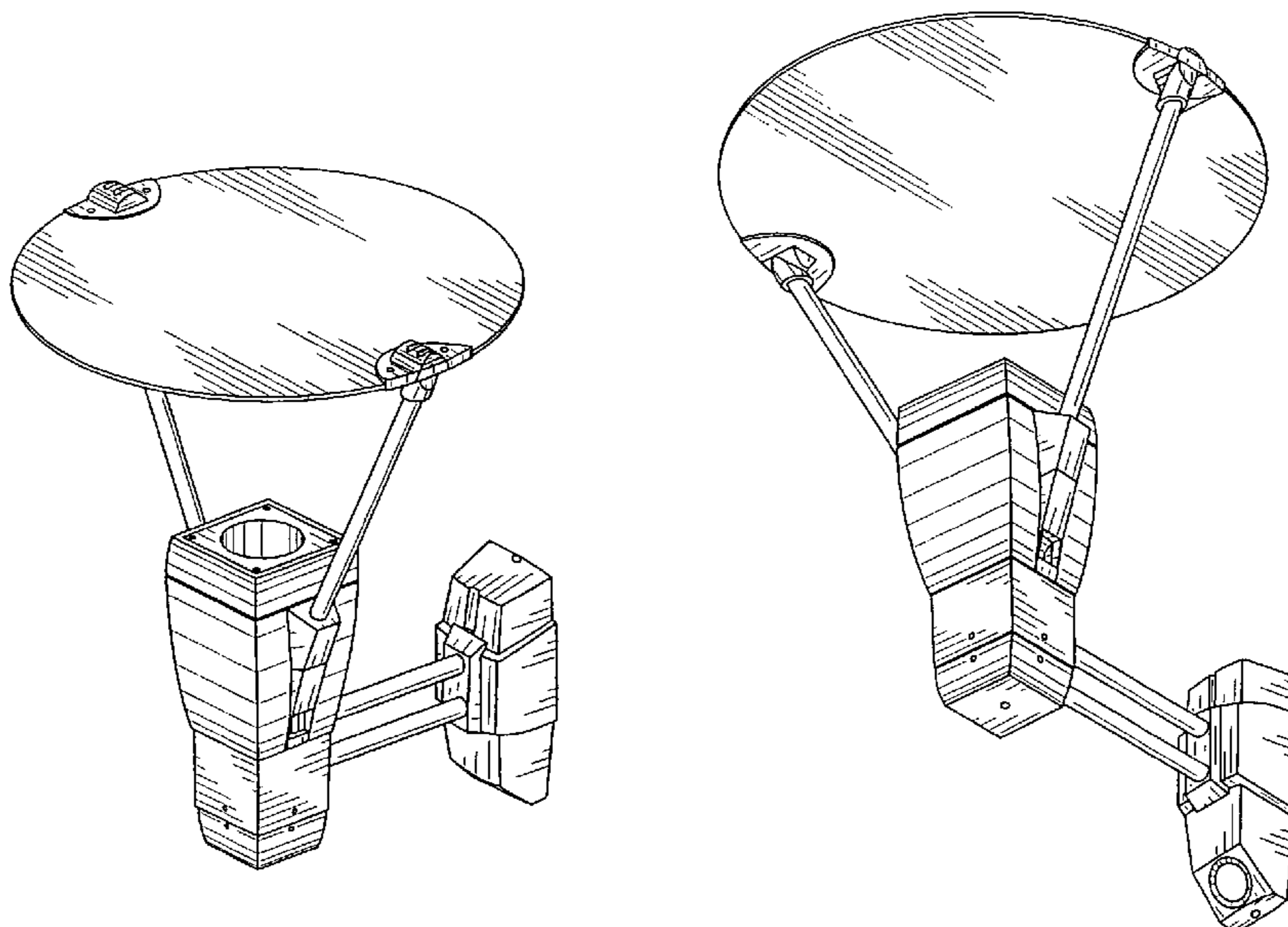
FIG. 3 is a front elevational view of the light fixture thereof;

FIG. 4 is a right side elevational view of the light fixture thereof, the left side elevational view being the mirror image thereof;

FIG. 5 is a bottom plan view of the light fixture thereof; and,

FIG. 6 is a bottom perspective view of the light fixture thereof.

1 Claim, 3 Drawing Sheets



US D623,792 S

Page 2

U.S. PATENT DOCUMENTS

D302,333 S 7/1989 Mason
4,969,073 A 11/1990 Isenga
4,969,074 A 11/1990 Davis et al.
5,105,347 A 4/1992 Ruud et al.
5,134,550 A 7/1992 Young
D344,359 S 2/1994 Matos
5,384,694 A 1/1995 Yang
5,402,327 A 3/1995 Gordin et al.
D386,275 S * 11/1997 Haugaard et al. D26/87
D391,666 S 3/1998 Lavy
D413,998 S * 9/1999 Littman D26/87
D427,350 S 6/2000 Landefeld
D436,211 S 1/2001 Neeld et al.
D439,003 S * 3/2001 Hsu D26/87
D468,478 S 1/2003 Landefeld et al.
6,533,446 B2 3/2003 Chen et al.
D488,580 S * 4/2004 Hsu D26/92
D500,570 S * 1/2005 Tsai D26/87

D500,573 S 1/2005 Emory et al.
D506,281 S * 6/2005 Randazzo et al. D26/67
D515,231 S 2/2006 Randazzo et al.
D517,233 S 3/2006 Doppelt
D533,677 S * 12/2006 Broughton et al. D26/87
D565,225 S 3/2008 Haugaard et al.
D601,291 S * 9/2009 Nankil D26/67
D614,795 S * 4/2010 van Klinken D26/92

FOREIGN PATENT DOCUMENTS

GB D2047164 8/1995
GB D2101128 4/2001

OTHER PUBLICATIONS

Bega/US, Pole Mounted Luminaires with Totally Indirect Optical System, Bega Catalog, Jun. 2002, Bega/US, Carpinteria, CA.
Hess America, Faro, Campo, Aviano Lighting Fixtures, at least as early as Jun. 2008 Hess America Catalog, Hess America, USA.

* cited by examiner

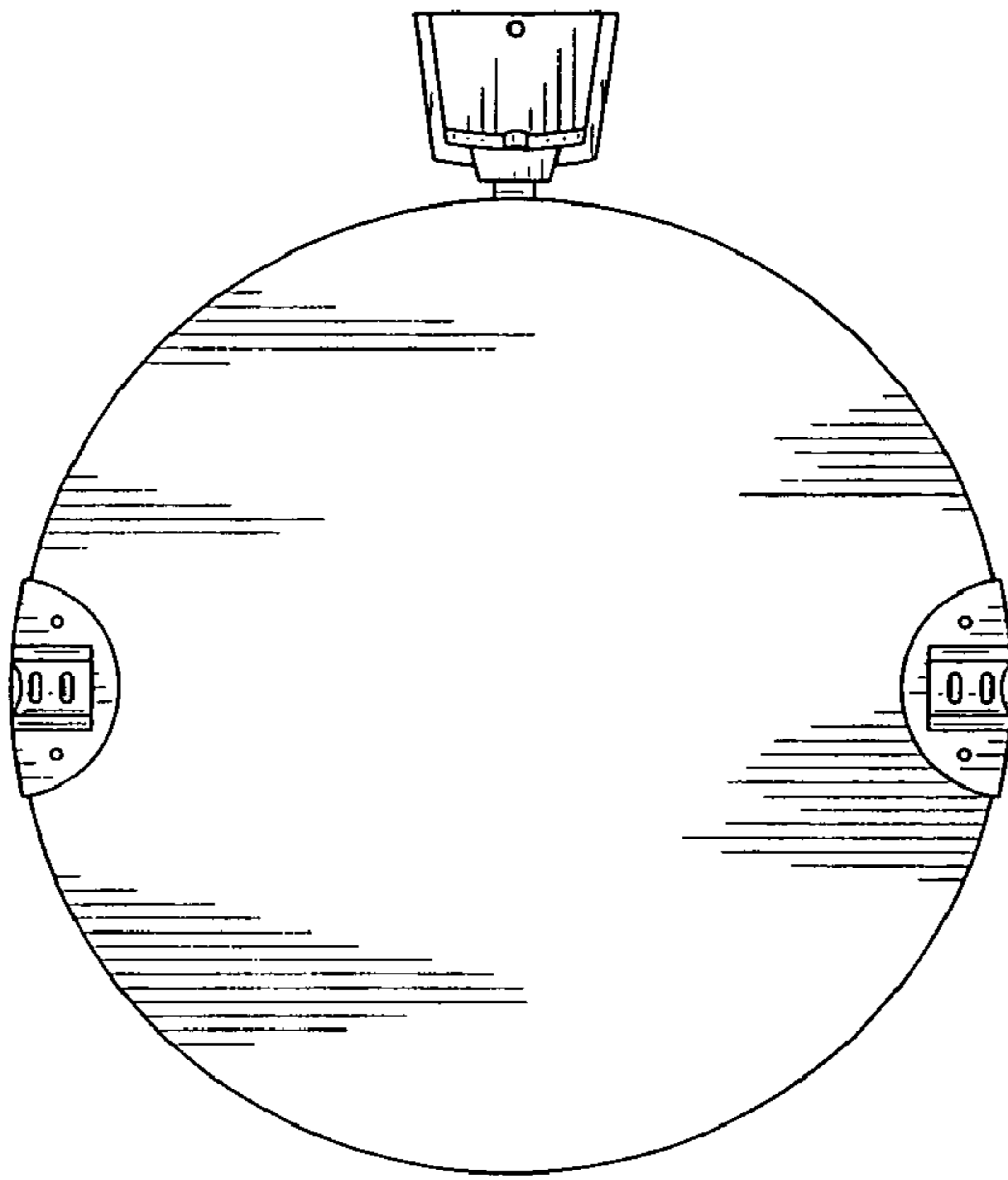


FIG. 1

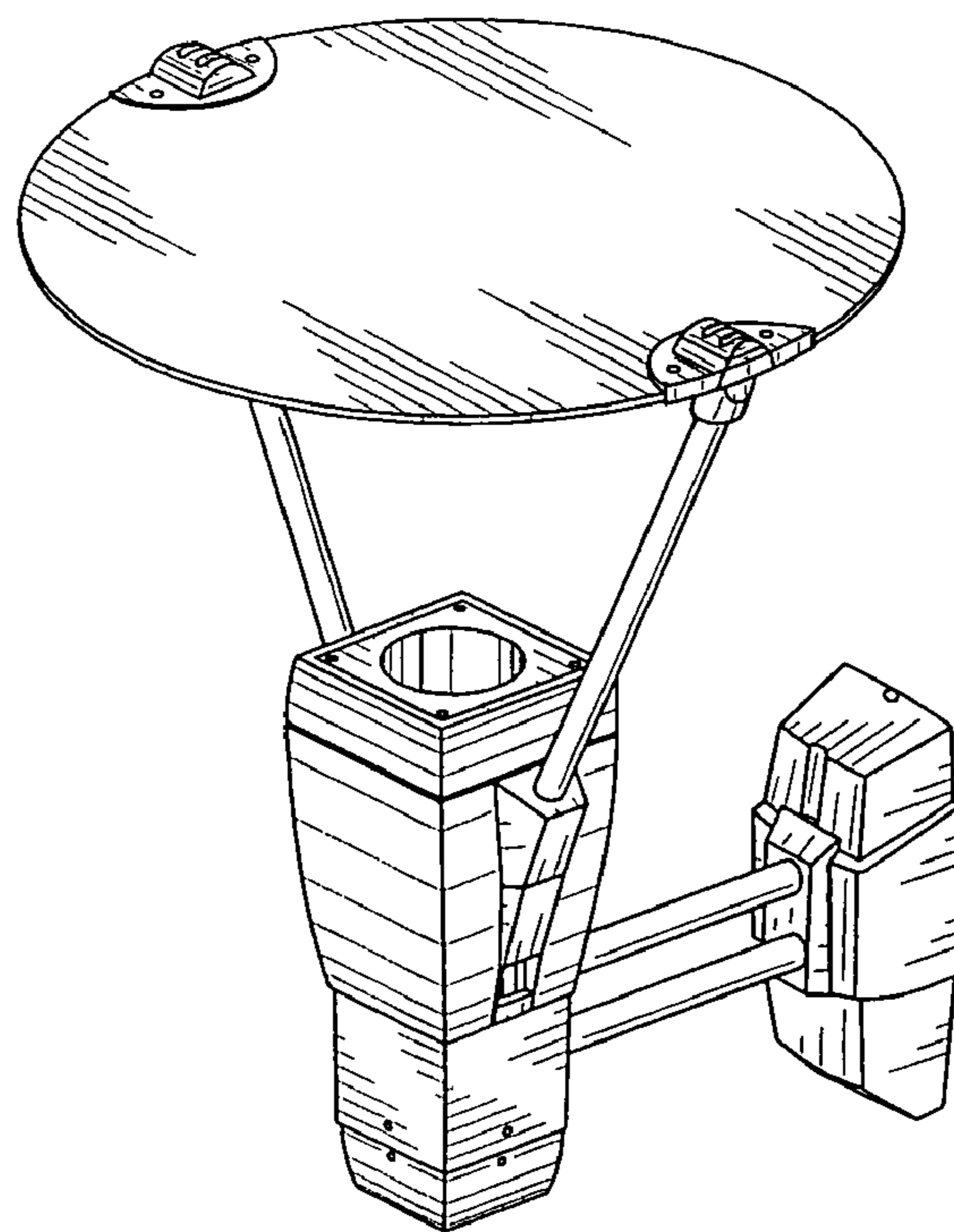


FIG. 2

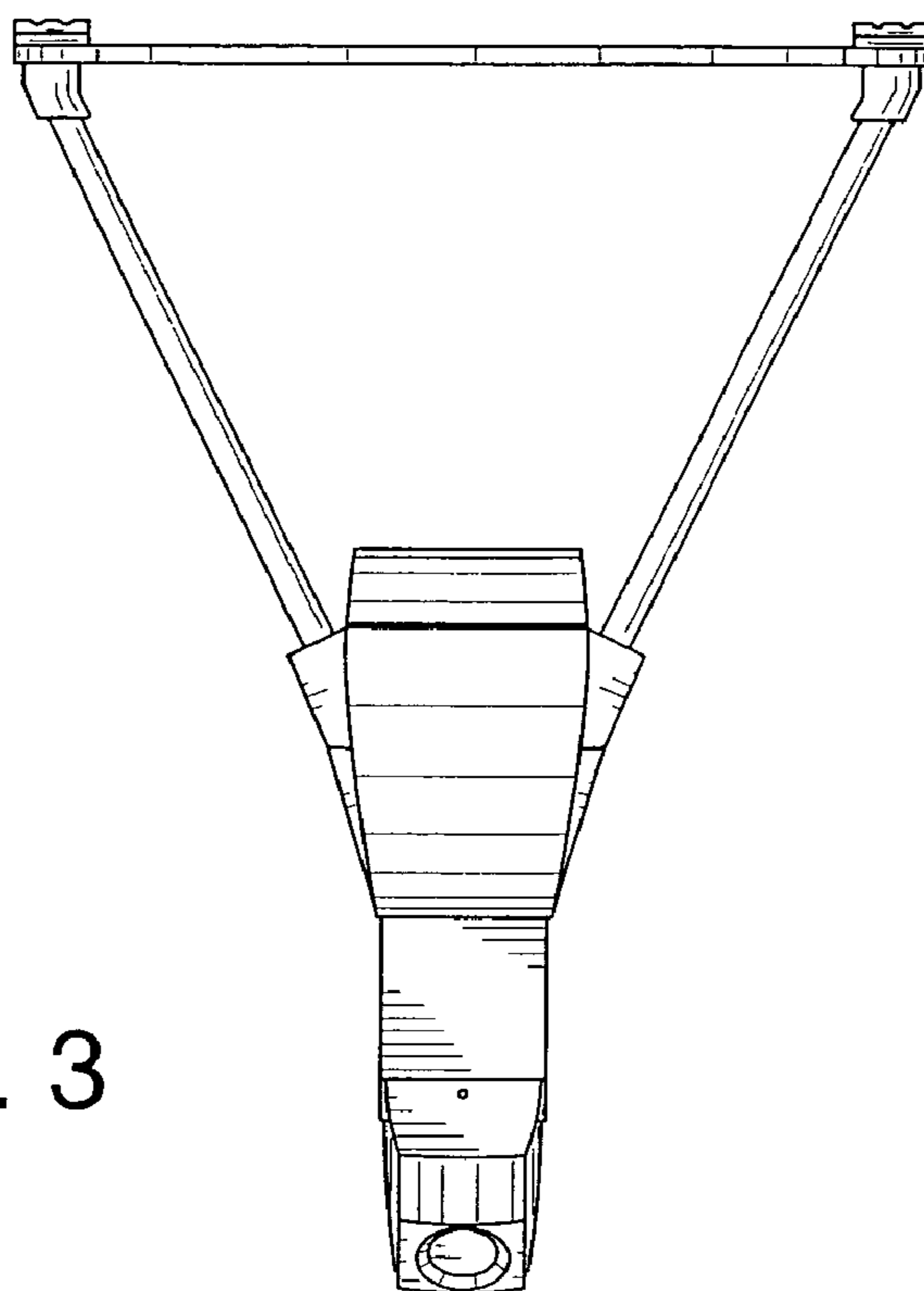


FIG. 3

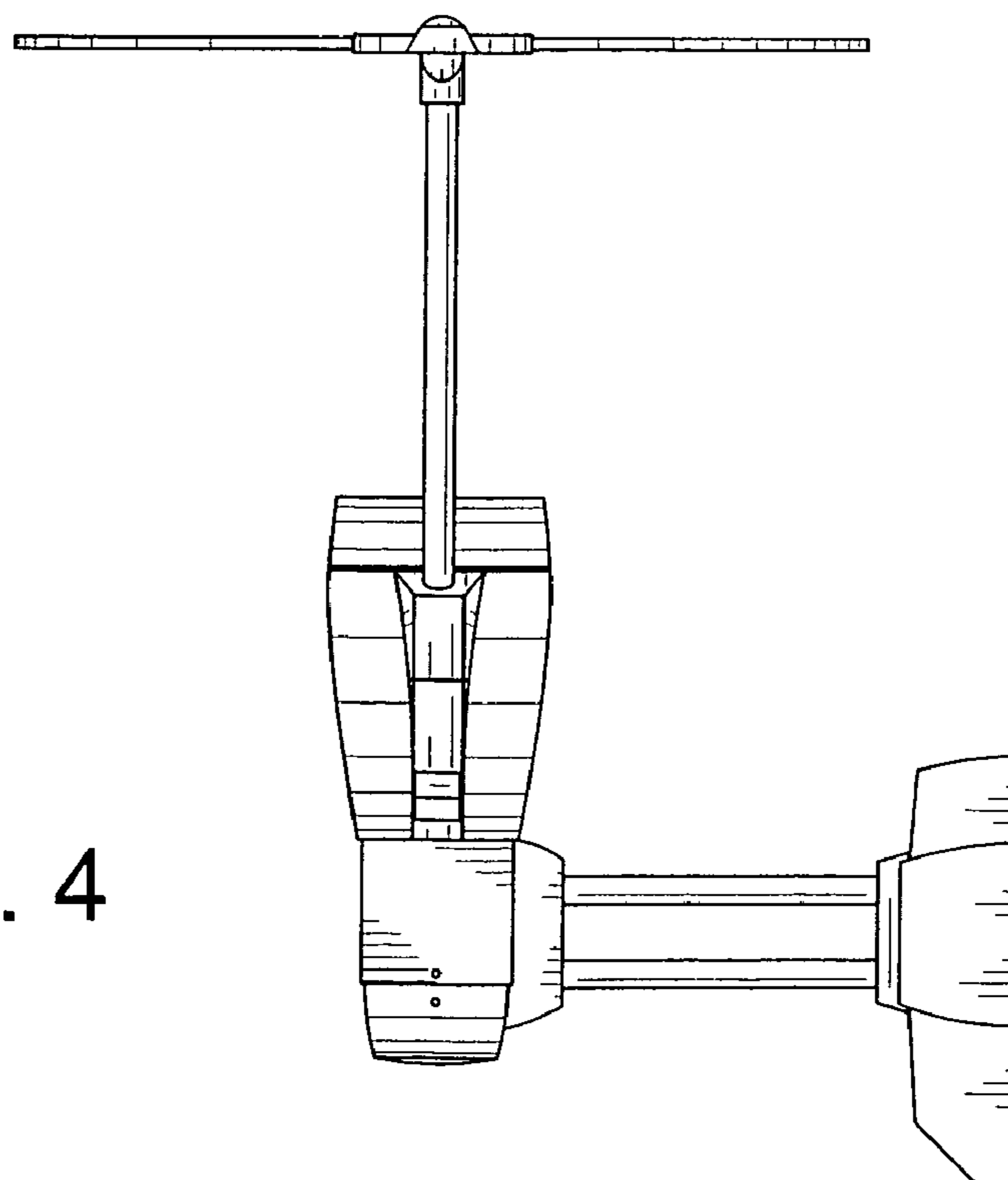


FIG. 4

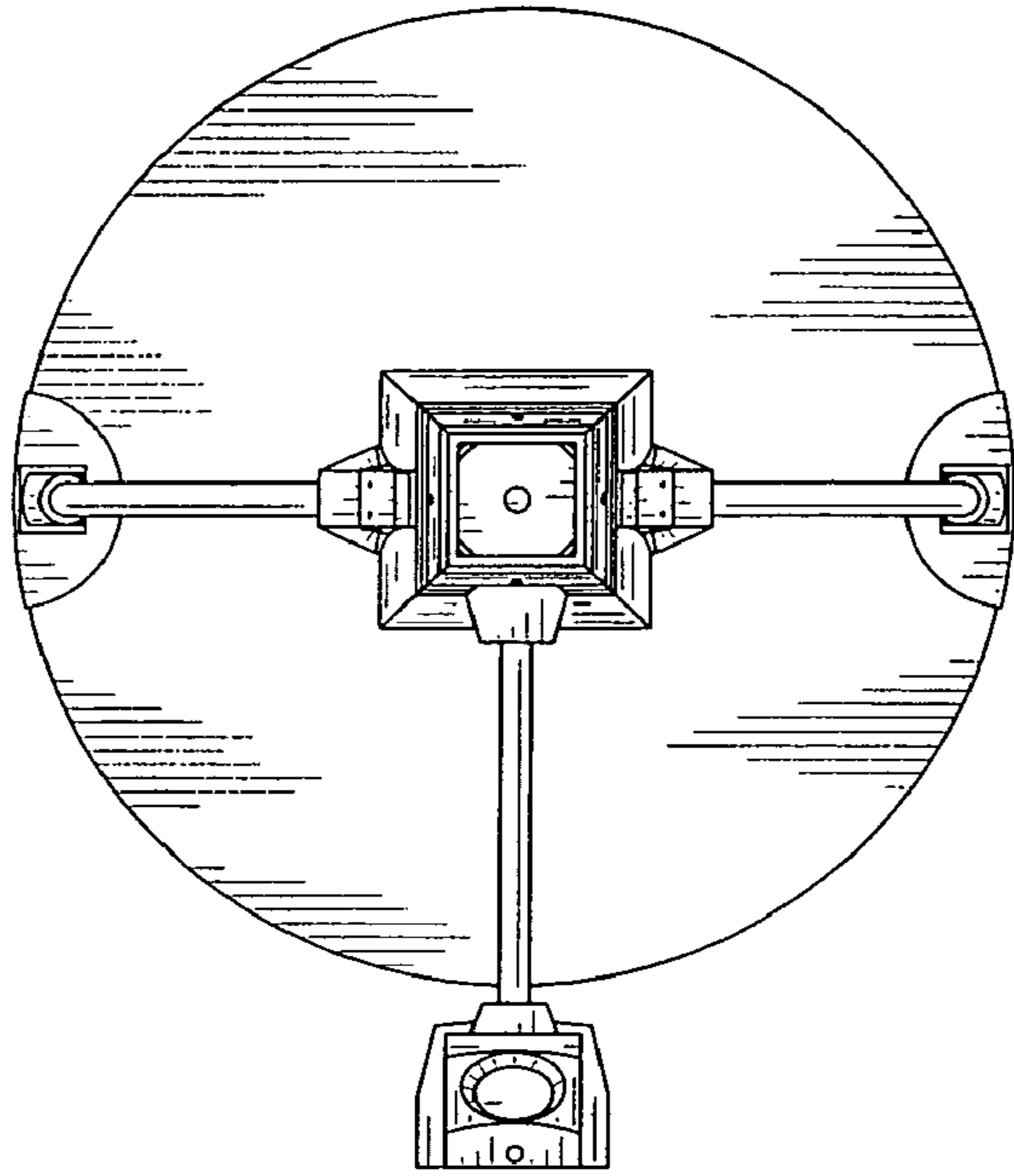


FIG. 5

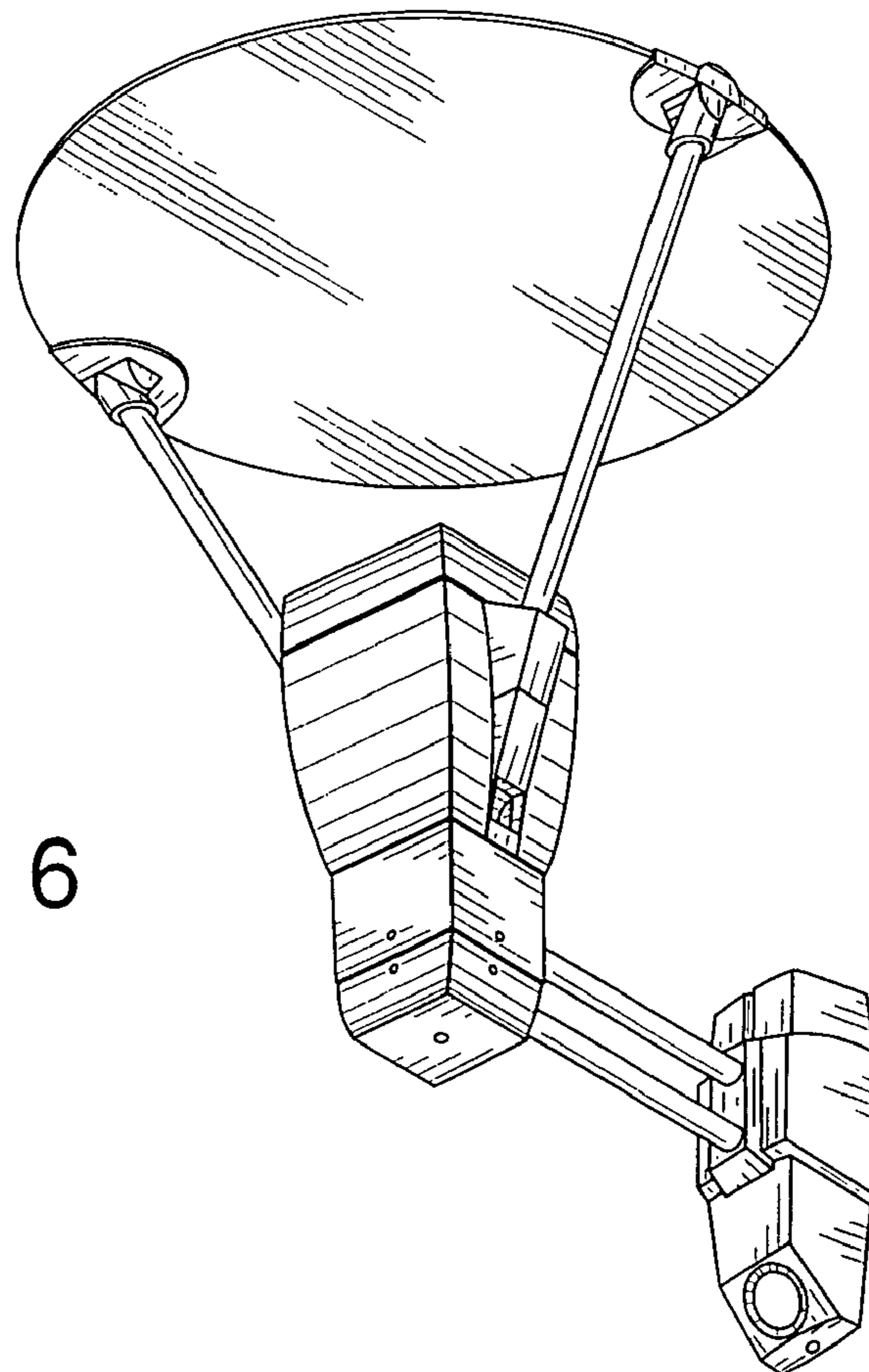


FIG. 6