

US00D623791S

(12) **United States Design Patent**
Kim

(10) **Patent No.:** **US D623,791 S**

(45) **Date of Patent:** **** Sep. 14, 2010**

(54) **STREET LAMP**

2008/0192494 A1* 8/2008 Chen 362/373

(75) Inventor: **Duk-Yong Kim**, Youngin-si (KR)

* cited by examiner

(73) Assignee: **KMW Inc.**, Gyeonggi-do (KR)

Primary Examiner—Clare E Heflin

(74) *Attorney, Agent, or Firm*—Leydig, Voit & Mayer, Ltd.

(**) Term: **14 Years**

(57) **CLAIM**

(21) Appl. No.: **29/340,703**

The ornamental design for a street lamp, as shown and described.

(22) Filed: **Jul. 23, 2009**

(30) **Foreign Application Priority Data**

DESCRIPTION

Feb. 13, 2009 (KR) 30-2009-0006024

FIG. 1 is a perspective view of a street lamp of the present invention.

(51) **LOC (9) Cl.** **26-05**

FIG. 2 is a front view of the street lamp of FIG. 1.

(52) **U.S. Cl.** **D26/73; D26/67**

FIG. 3 is a rear view of the street lamp of FIG. 1.

(58) **Field of Classification Search** D26/67-71,
D26/73, 85, 92, 125; 362/145, 183, 249.02,
362/249.03, 249.04, 249.06, 249.16, 231,
362/431

FIG. 4 is a left side view of the street lamp of FIG. 1.

FIG. 5 is a right side view of the street lamp of FIG. 1.

See application file for complete search history.

FIG. 6 is a top view of the street lamp of FIG. 1.

FIG. 7 is a bottom view of the street lamp of FIG. 1.

(56) **References Cited**

FIG. 8 is another bottom view of the street lamp of FIG. 1 showing light emitting diodes in broken lines;

U.S. PATENT DOCUMENTS

FIG. 9 is another perspective view of the street lamp of FIG. 1 showing the design mounted on a light post; and,

D359,816 S * 6/1995 Colarusso D26/98

FIG. 10 is an elevation view of the street lamp of FIG. 1 showing the design in an alternate position mounted on a light post.

5,577,831 A * 11/1996 Chang 362/240

6,467,938 B1 * 10/2002 Wang 362/496

D470,964 S * 2/2003 Eiffert D26/67

D505,228 S * 5/2005 Weiser et al. D30/125

7,434,971 B1 * 10/2008 Wang 362/496

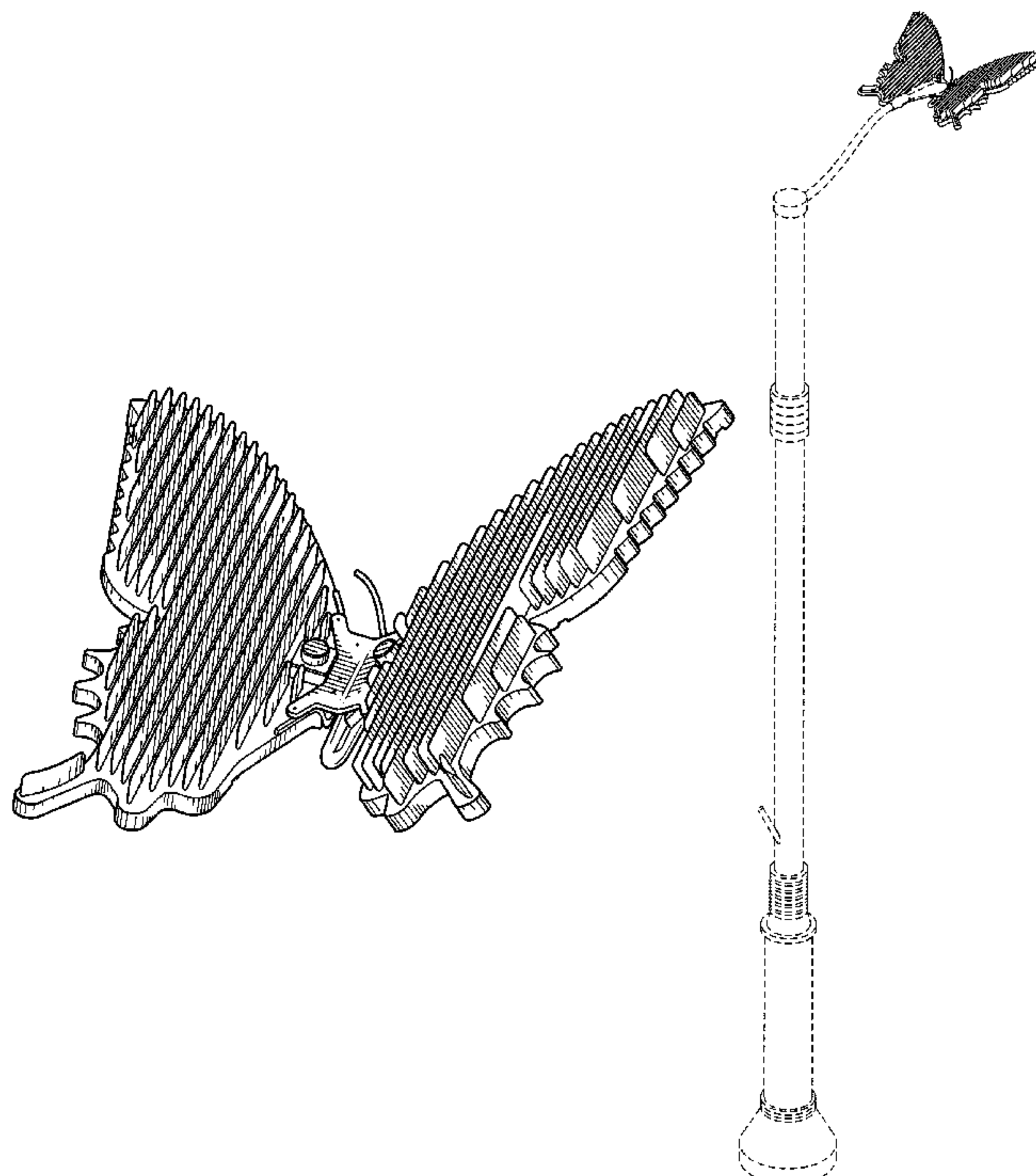
D598,156 S * 8/2009 Xiao et al. D26/69

2005/0157485 A1 * 7/2005 Shieh 362/96

2005/0248934 A1 * 11/2005 Weiser et al. 362/124

2007/0019405 A1 * 1/2007 Chang et al. 362/192

1 Claim, 8 Drawing Sheets



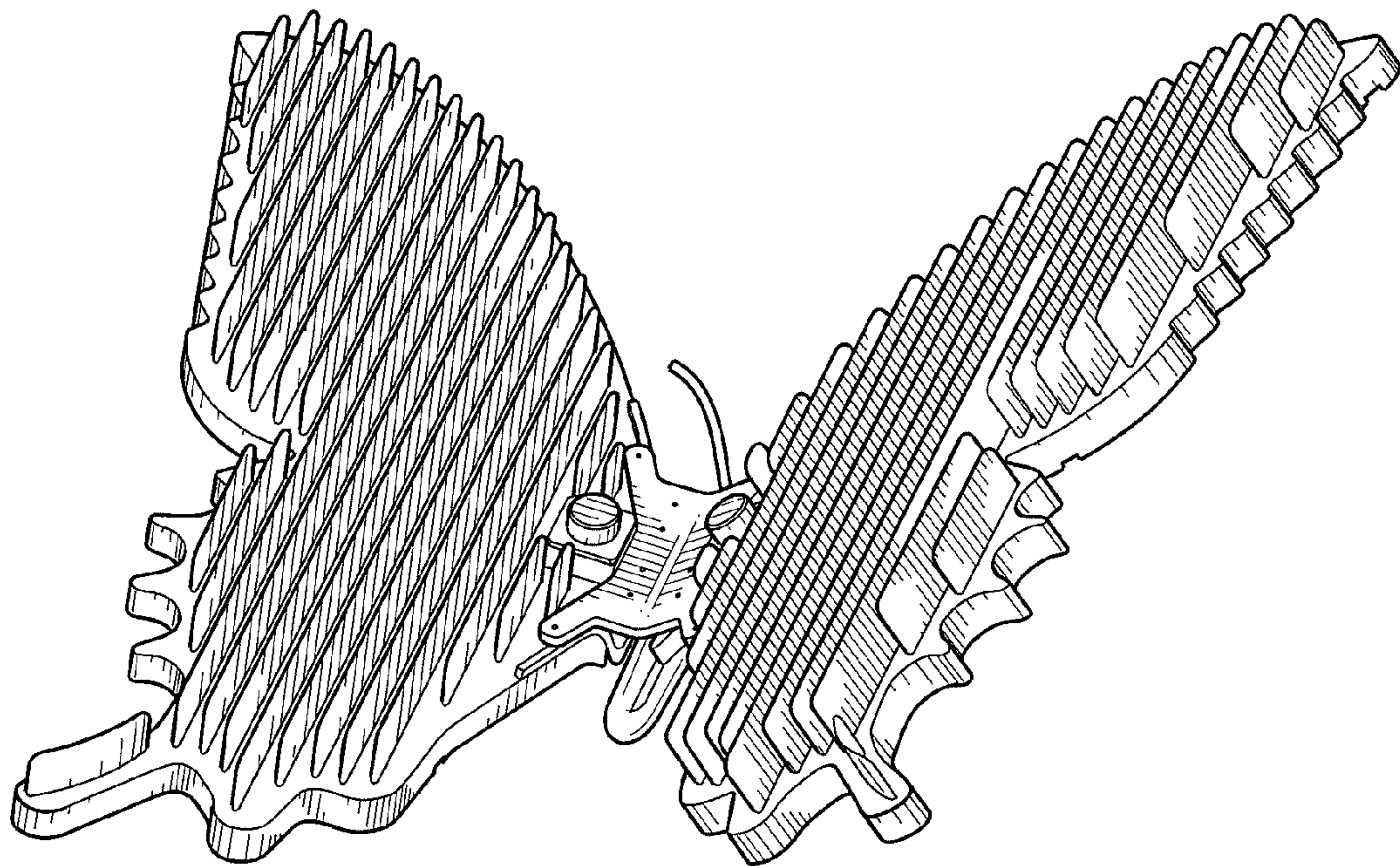


FIG. 1

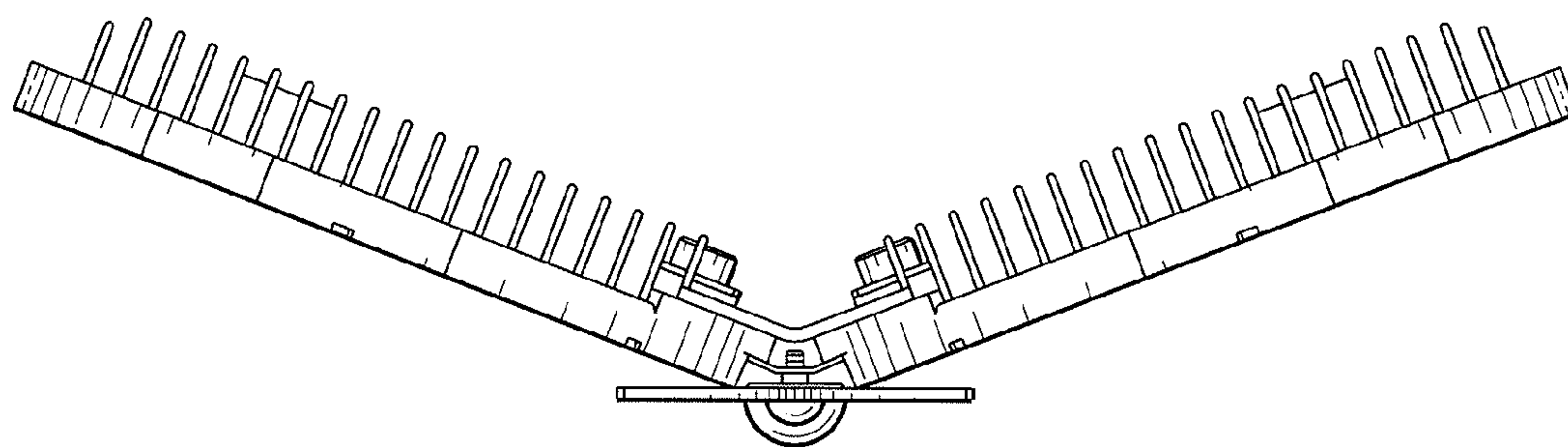


FIG. 2

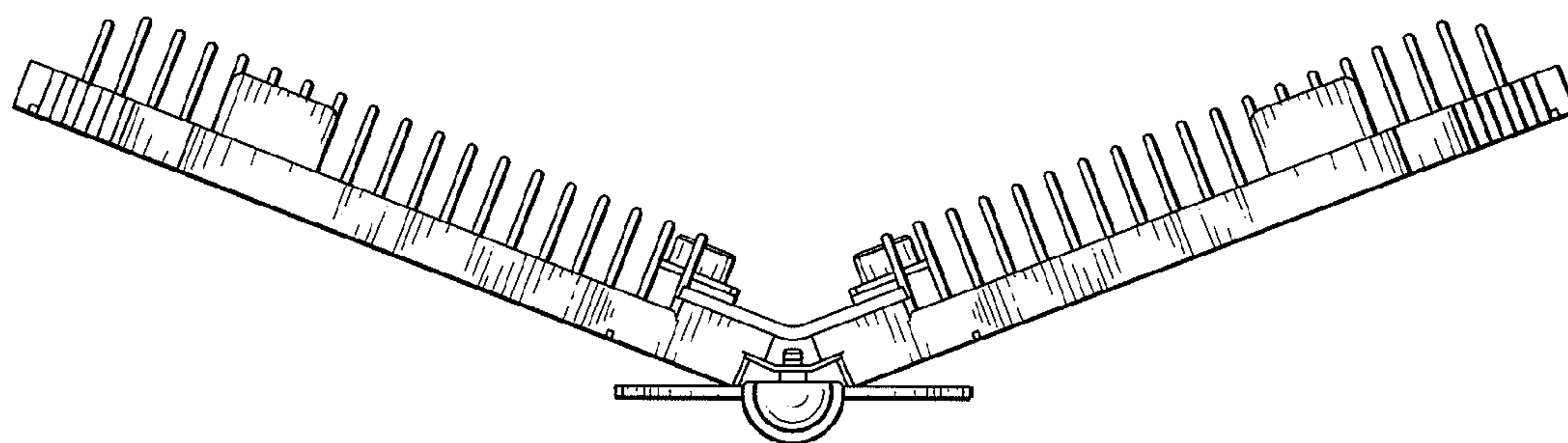


FIG. 3

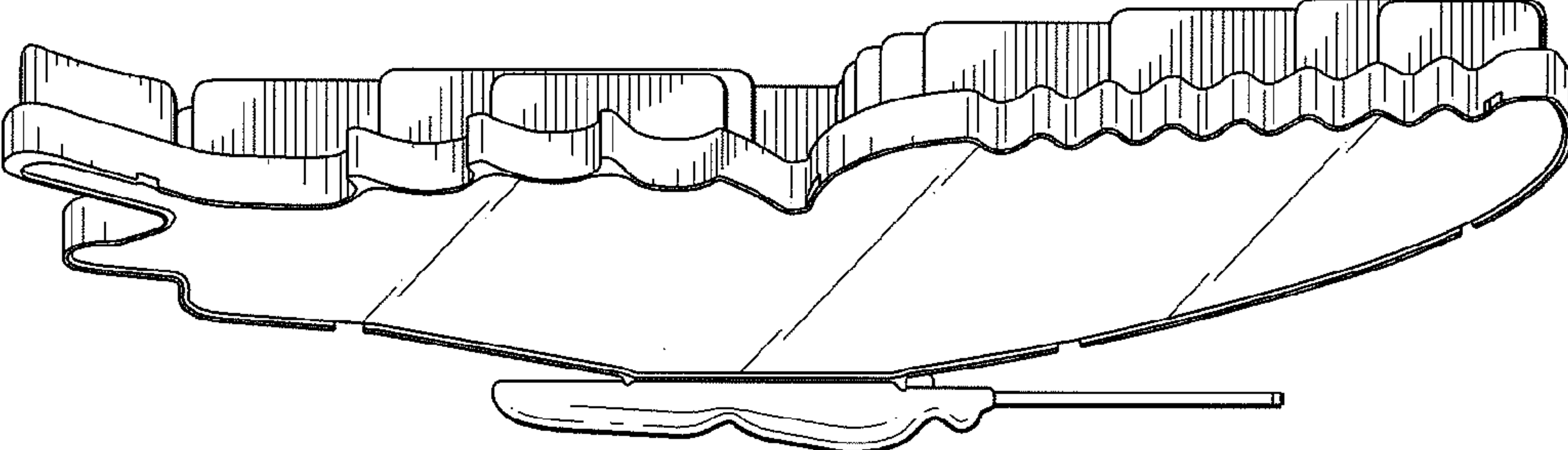


FIG. 4

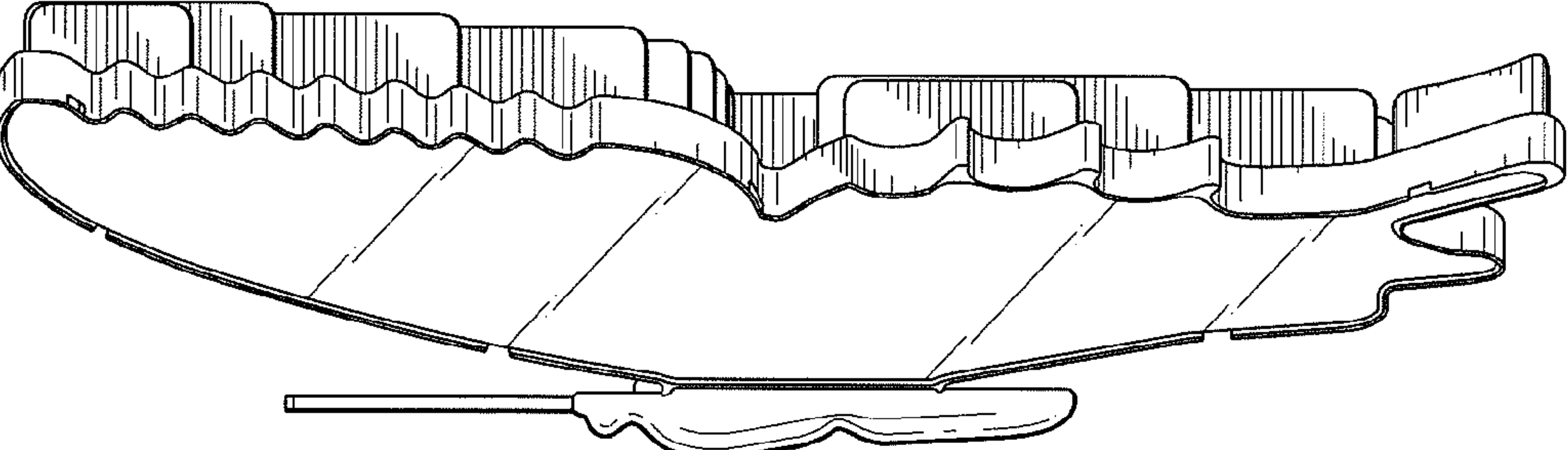


FIG. 5

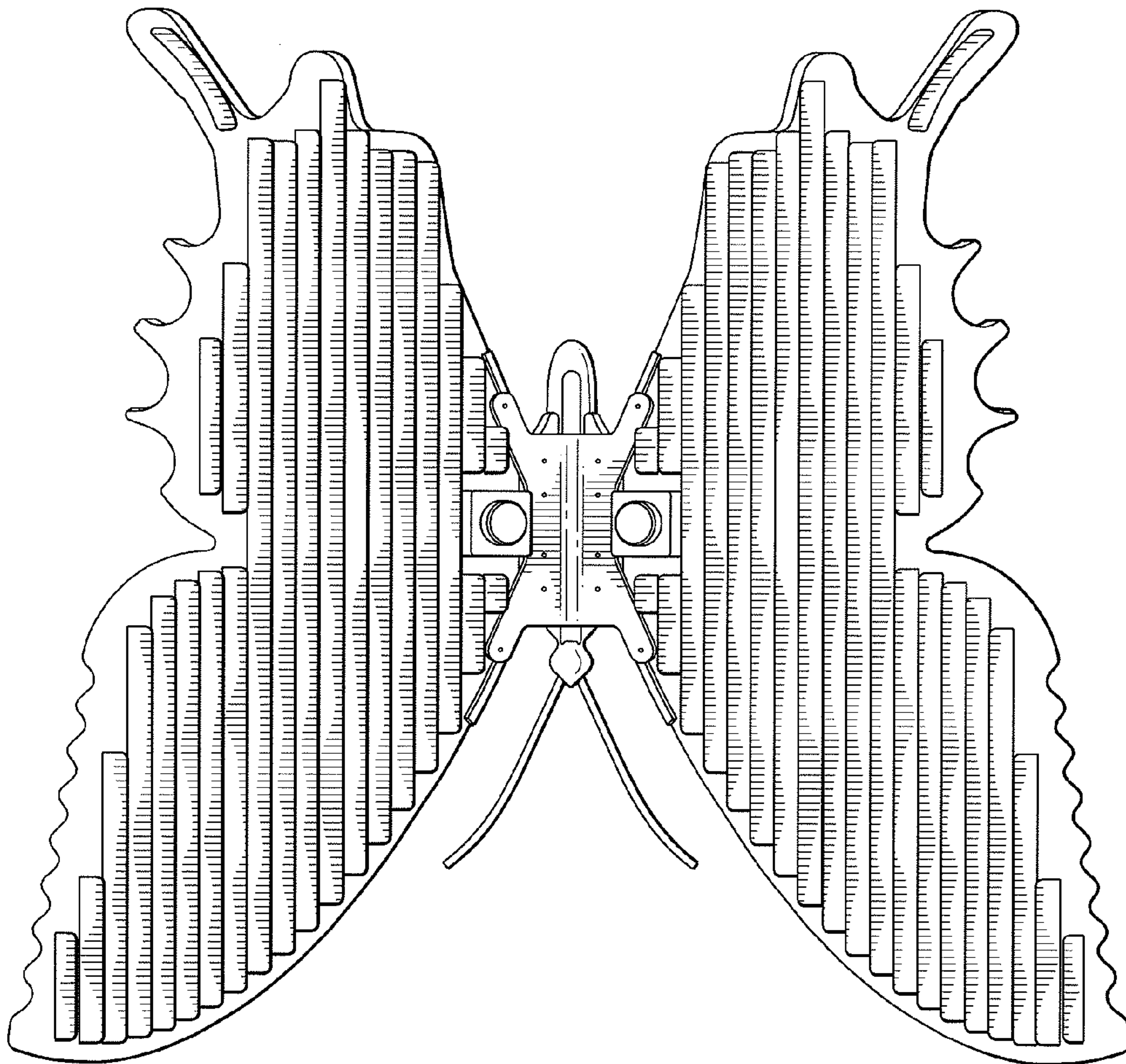


FIG. 6

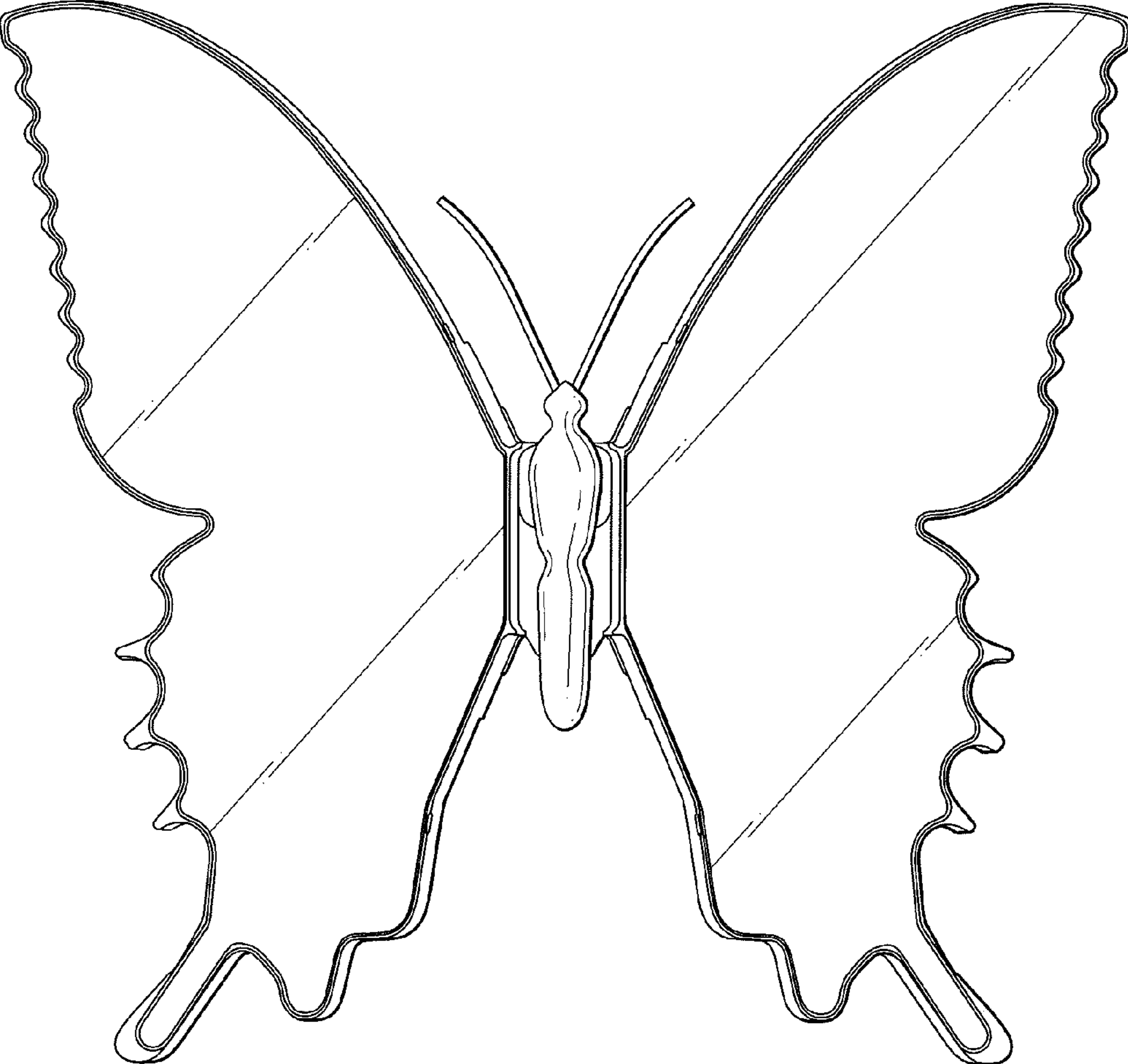


FIG. 7

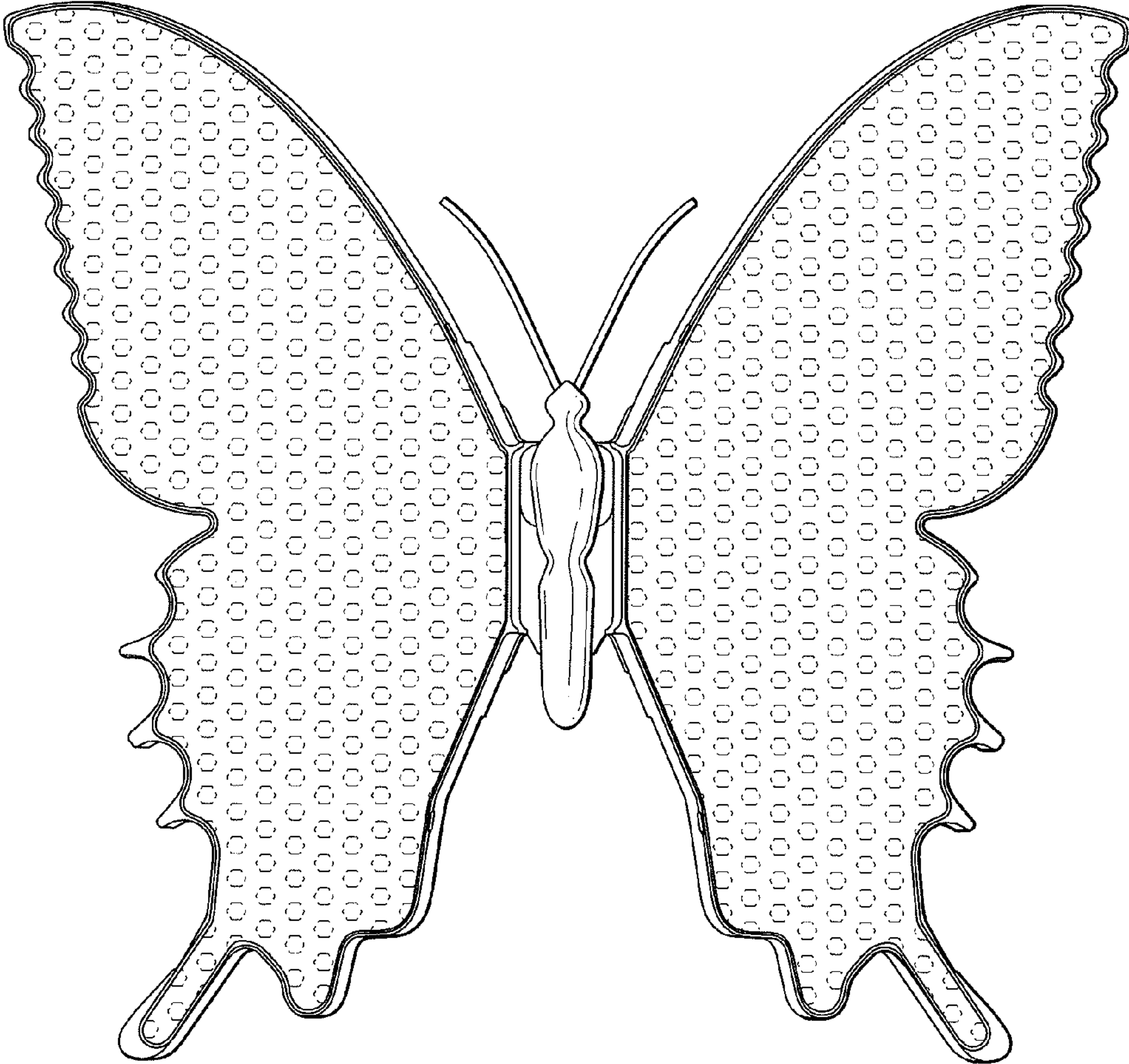


FIG. 8

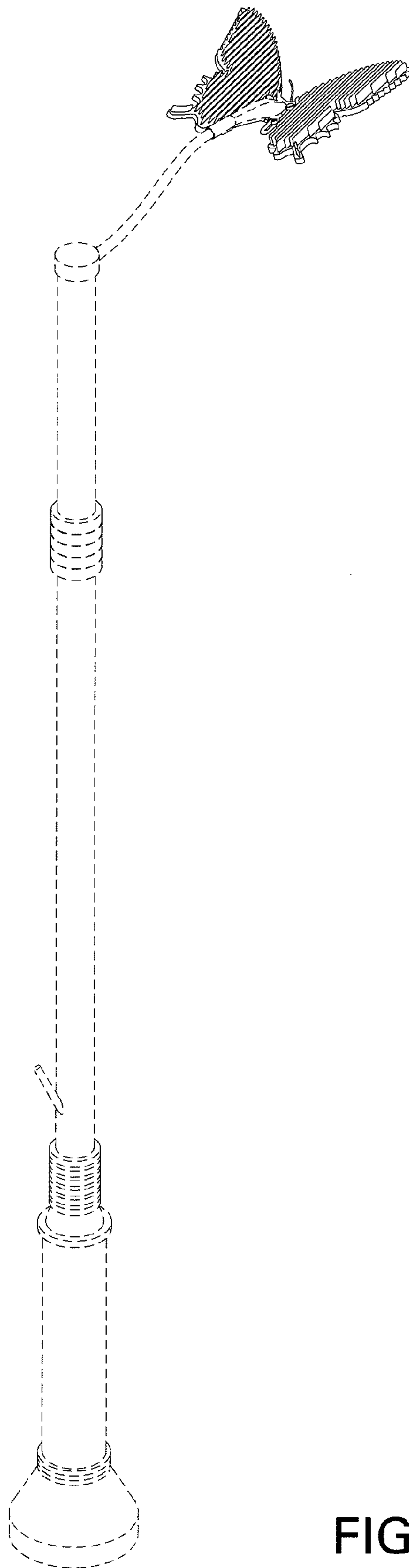


FIG. 9

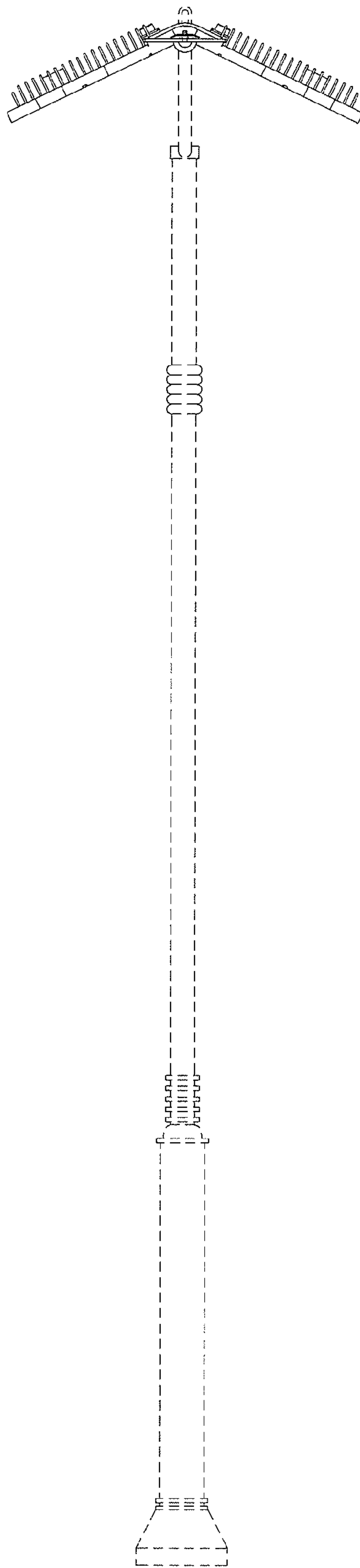


FIG. 10