



US00D623790S

(12) **United States Design Patent**
Saint-Aubin

(10) **Patent No.:** **US D623,790 S**

(45) **Date of Patent:** **** Sep. 14, 2010**

(54) **EGRESS POST TOP ADAPTER**

(75) Inventor: **Aron J. Saint-Aubin**, Moreno Valley, CA (US)

(73) Assignee: **Hubbell Incorporated**, Shelton, CT (US)

(**) Term: **14 Years**

(21) Appl. No.: **29/347,034**

(22) Filed: **Aug. 27, 2009**

Related U.S. Application Data

(62) Division of application No. 29/290,193, filed on Nov. 1, 2007, now Pat. No. Des. 601,290.

(51) **LOC (9) Cl.** **26-05**

(52) **U.S. Cl.** **D26/67; D26/68**

(58) **Field of Classification Search** D26/67-72, D26/85; 362/183, 431, 152-153.1
See application file for complete search history.

(56) **References Cited**

U.S. PATENT DOCUMENTS

1,946,570 A	2/1934	Beidler
D178,575 S	8/1956	Larson
D234,971 S	4/1975	Delin
4,255,746 A	3/1981	Johnson et al.
D299,554 S	1/1989	Muller
D299,555 S	1/1989	Muller
D312,890 S	12/1990	Compton
D314,833 S	2/1991	Beachy et al.
D318,135 S	7/1991	Hall et al.
5,055,984 A	10/1991	Hung et al.
5,065,291 A	11/1991	Frost et al.
D362,534 S	9/1995	Gensburg
5,608,290 A	3/1997	Hutchisson et al.
5,676,455 A	10/1997	Johnson et al.

D418,619 S	1/2000	Porter
6,045,232 A	4/2000	Buckmaster
D459,515 S	6/2002	Gaskins et al.
6,929,376 B2	8/2005	Harris
7,036,961 B2	5/2006	Defouw et al.
7,086,747 B2	8/2006	Nielson et al.
D601,290 S *	9/2009	Saint-Aubin D26/67
2005/0117343 A1	6/2005	Leifer
2005/0259416 A1	11/2005	Gauna et al.

OTHER PUBLICATIONS

Egress Post Top adapter models EPA-C and EPA-T by Architectural Area Lighting. Found online at aal.net. @2007.*

* cited by examiner

Primary Examiner—Clare E Heflin

(74) *Attorney, Agent, or Firm*—Jenae C. Gureff; Mark S. Bicks; Alfred N. Goodman

(57) **CLAIM**

The ornamental design for the egress post top adapter, as shown and described.

DESCRIPTION

FIG. 1 is a front elevational view of an egress post top adapter in accordance with the present invention;

FIG. 2 is a rear elevational view of the egress post top adapter thereof;

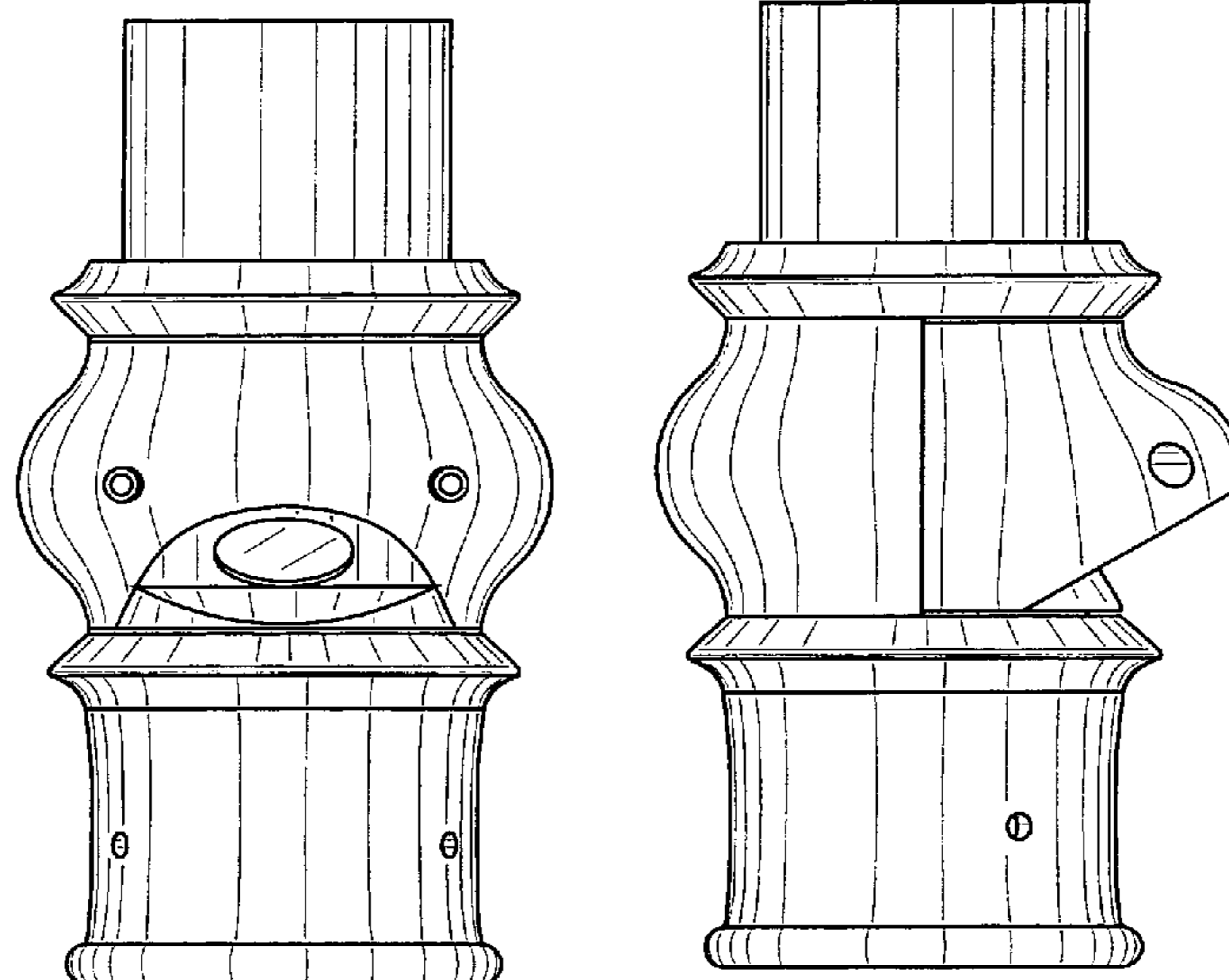
FIG. 3 is a left side elevational view of the egress post top adapter thereof;

FIG. 4 is a right side elevational view of the egress post top adapter thereof;

FIG. 5 is a top plan view of the egress post top adapter thereof; and,

FIG. 6 is a bottom plan view of the egress post top adapter thereof.

1 Claim, 3 Drawing Sheets



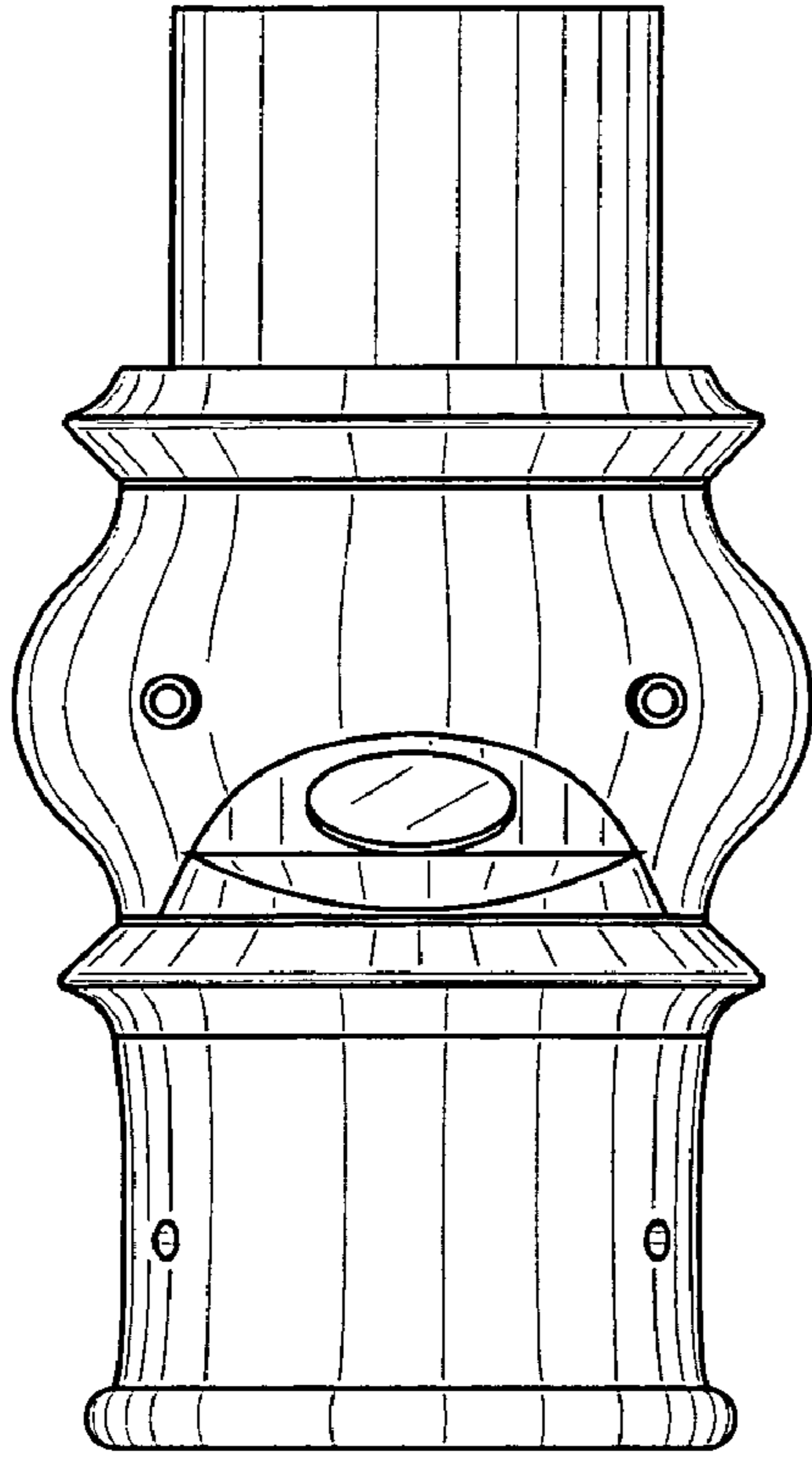


FIG. 1

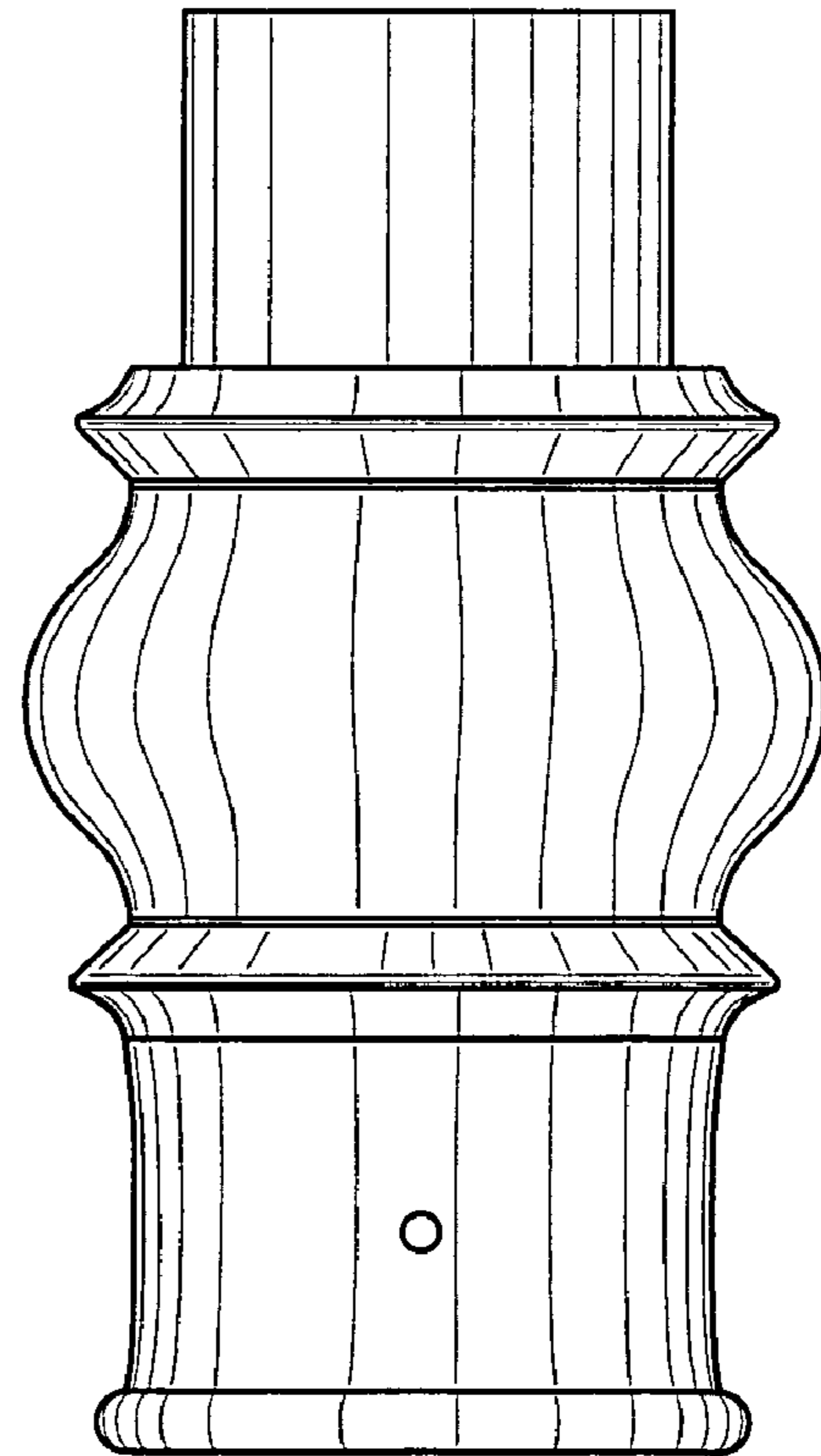


FIG. 2

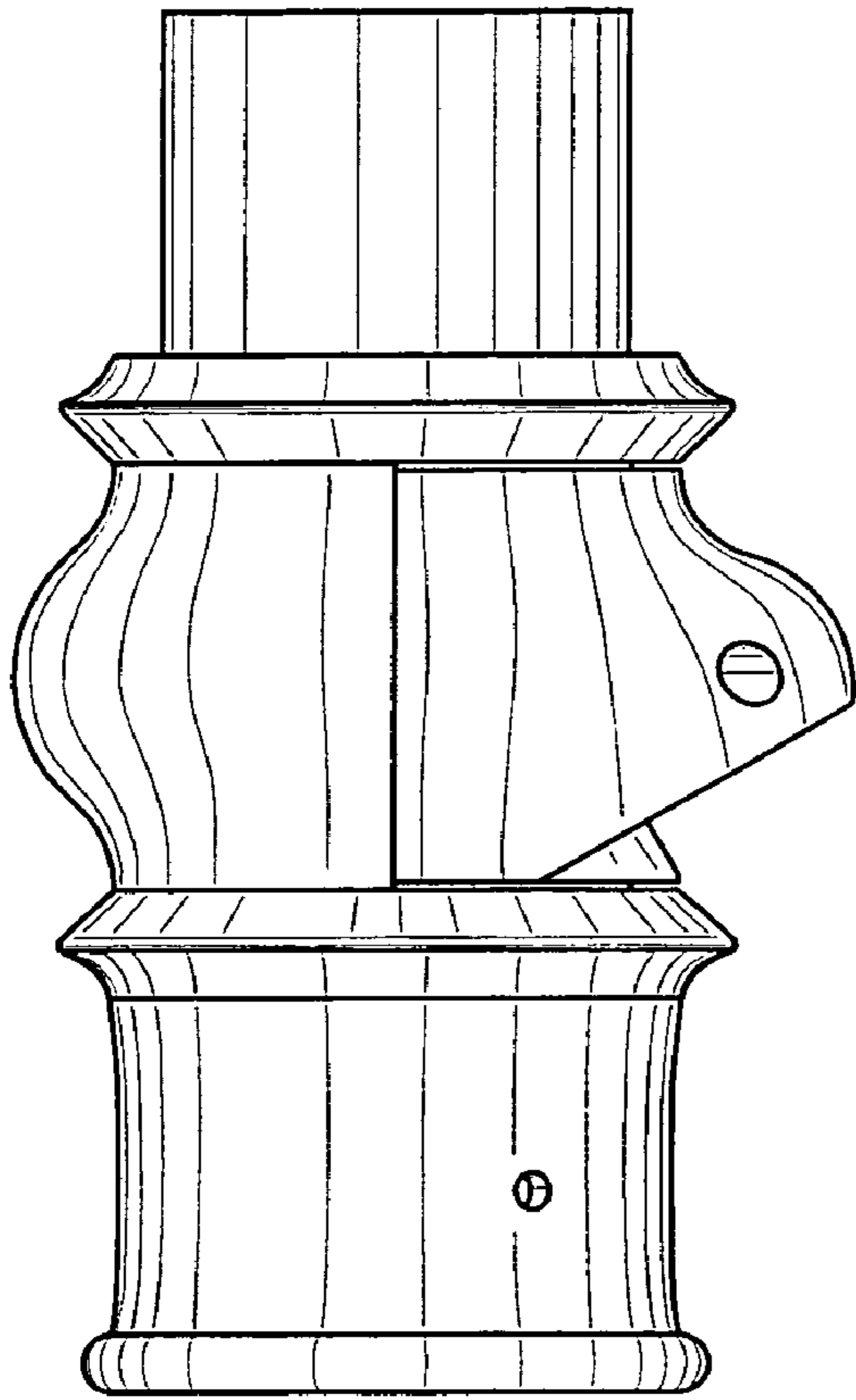


FIG. 3

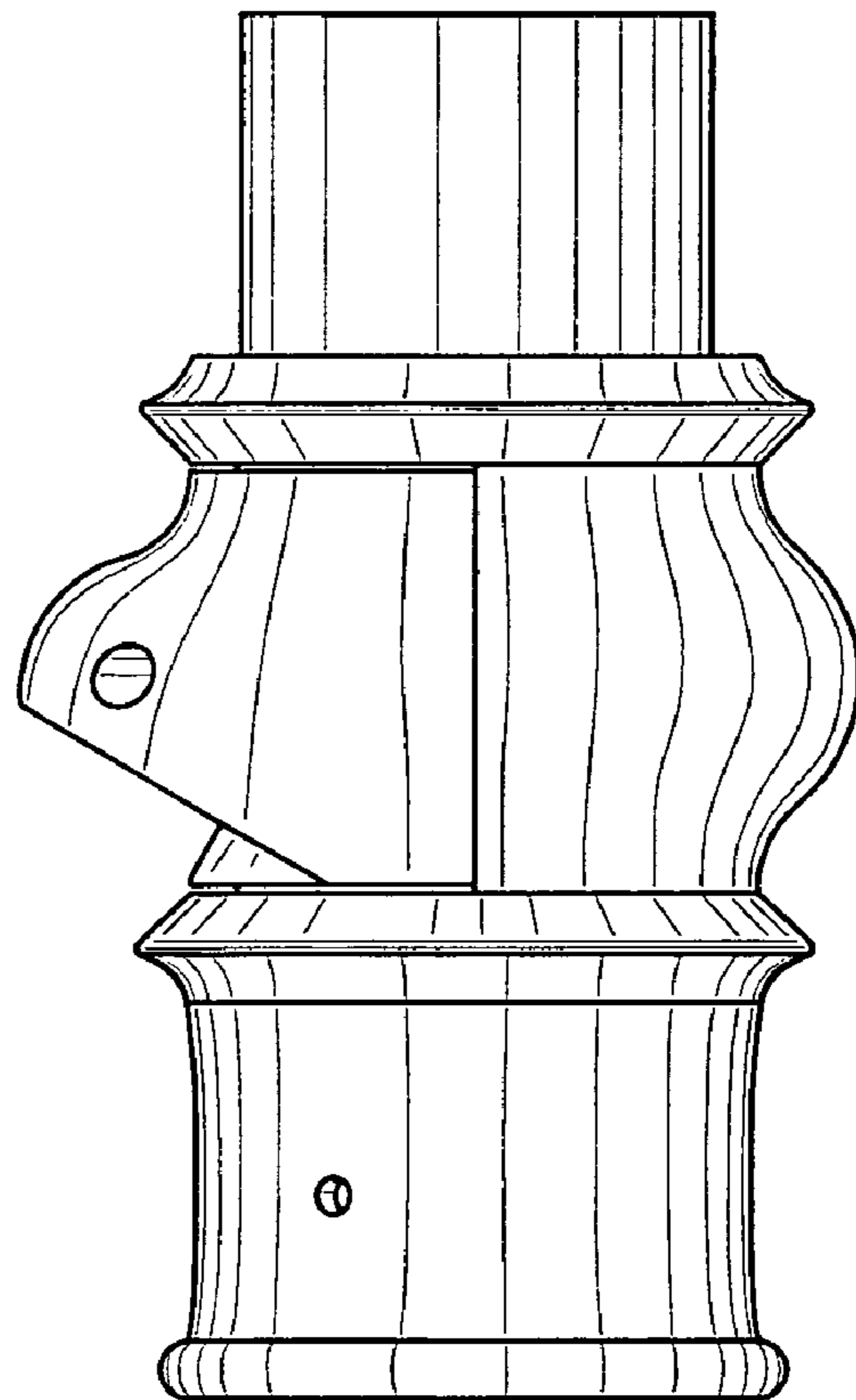


FIG. 4

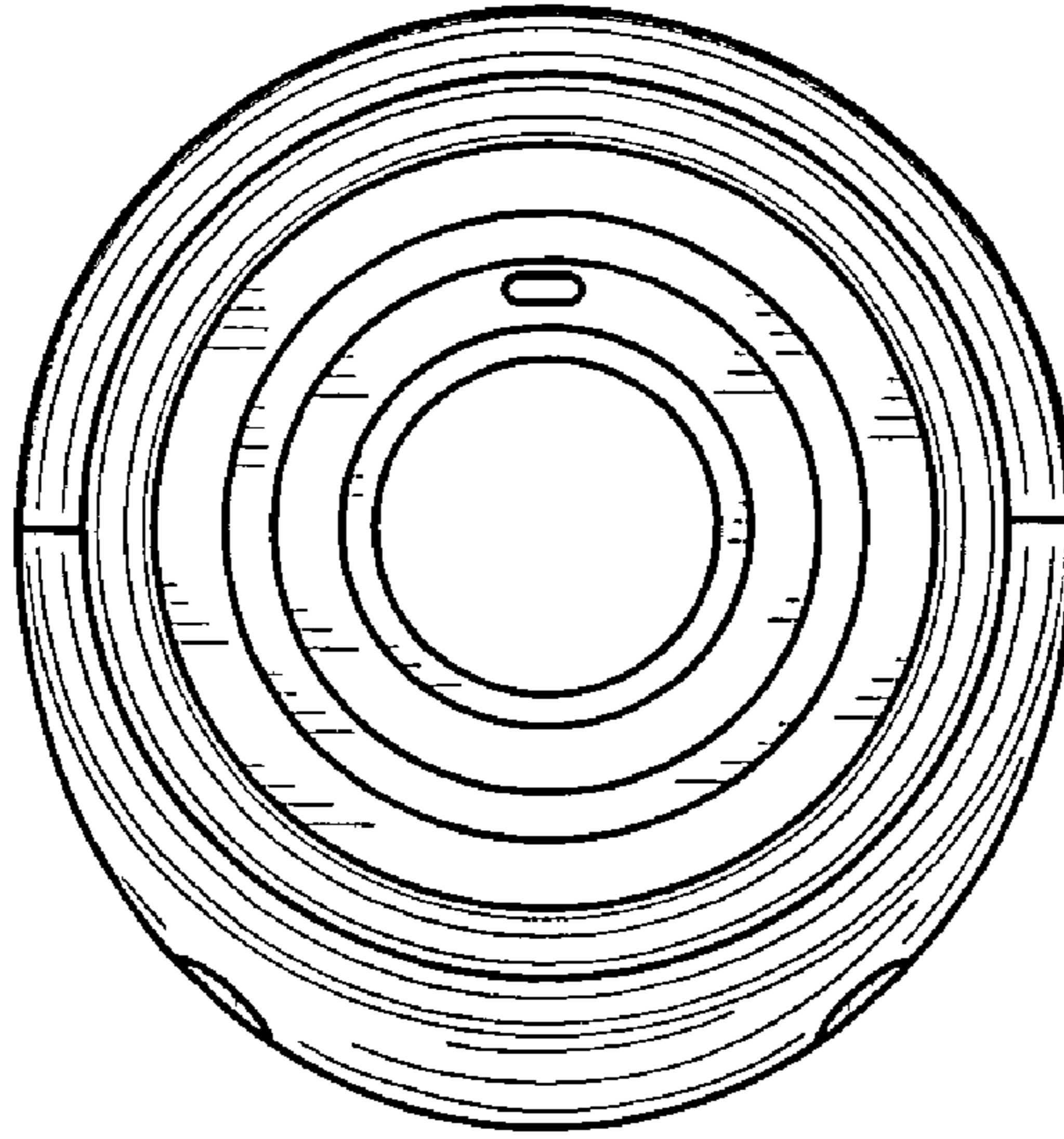


FIG. 5

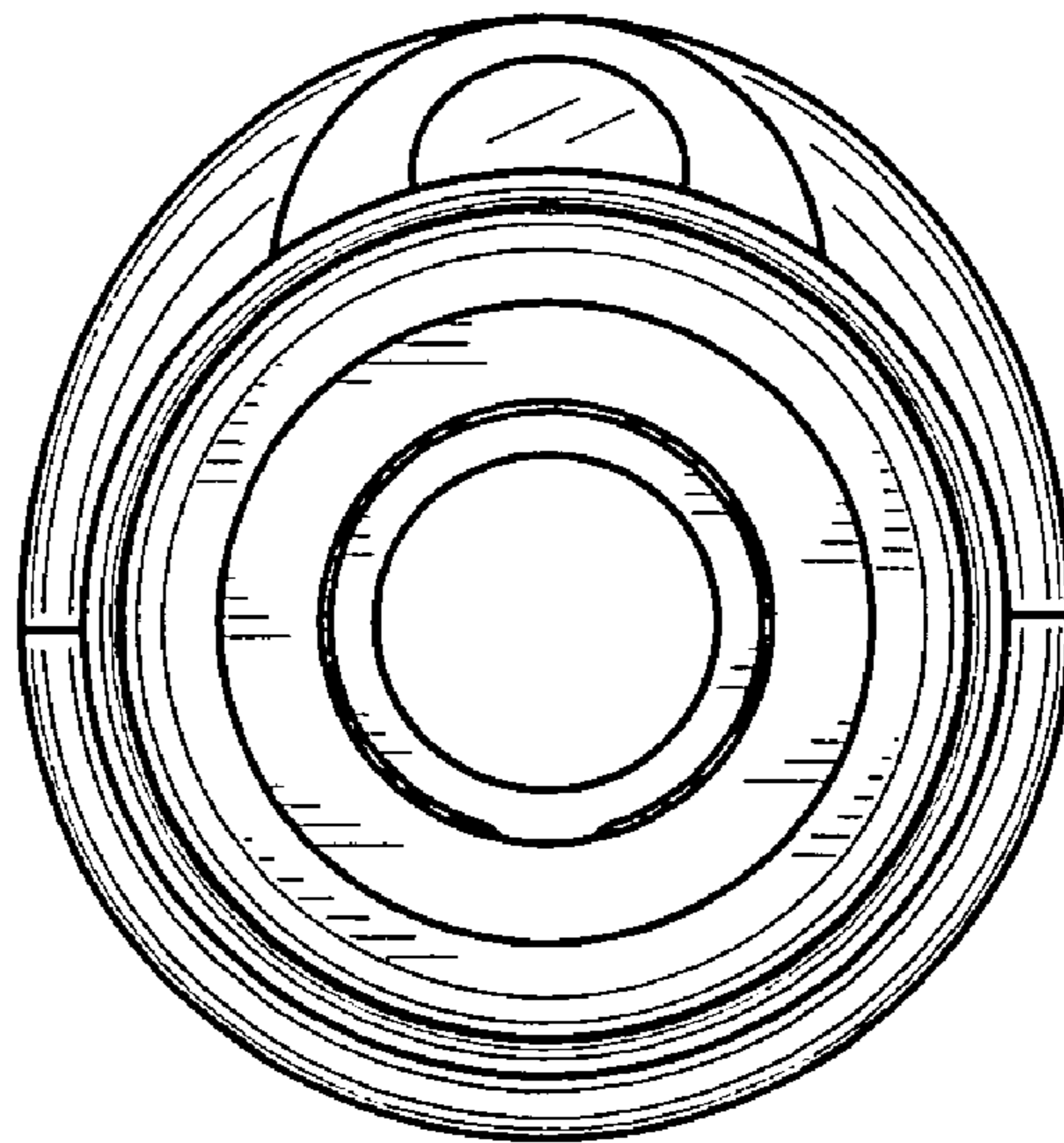


FIG. 6