

US00D623789S

(12) **United States Design Patent**  
**Chiu**

(10) **Patent No.:** **US D623,789 S**

(45) **Date of Patent:** **\*\* Sep. 14, 2010**

(54) **DESKTOP LAMP**

D599,930 S \* 9/2009 Huang ..... D26/63  
D600,388 S \* 9/2009 Huang ..... D26/65

(75) Inventor: **Lung-Chang Chiu**, Banqiao (TW)

\* cited by examiner

(73) Assignee: **DE Licht Co., Ltd**, Taipei County (TW)

*Primary Examiner*—Susan M Lee

(\*\*) Term: **14 Years**

*Assistant Examiner*—Linda G. Brooks

(21) Appl. No.: **29/358,357**

(74) *Attorney, Agent, or Firm*—Chun-Ming Shih; HDLS IPR Services

(22) Filed: **Mar. 25, 2010**

(57) **CLAIM**

(51) **LOC (9) Cl.** ..... **26-05**

The ornamental design for a desktop lamp, as shown and described.

(52) **U.S. Cl.** ..... **D26/65**

(58) **Field of Classification Search** ..... D26/60–66,  
D26/106–109; 362/217.01, 217.02, 220,  
362/269, 270, 274, 275, 277, 278, 281–290,  
362/401, 410, 413, 414, 418, 419, 427, 800,  
362/33

See application file for complete search history.

**DESCRIPTION**

(56) **References Cited**

**U.S. PATENT DOCUMENTS**

D269,297 S \* 6/1983 Lebowitz ..... D26/65  
D343,020 S \* 1/1994 Yang ..... D26/65  
D485,929 S \* 1/2004 Cvek ..... D26/65  
D500,156 S \* 12/2004 Kao ..... D26/61  
D506,018 S \* 6/2005 Campo ..... D26/62

FIG. 1 is a perspective view of a desktop lamp showing my new design;

FIG. 2 is a front view thereof;

FIG. 3 is a rear view thereof;

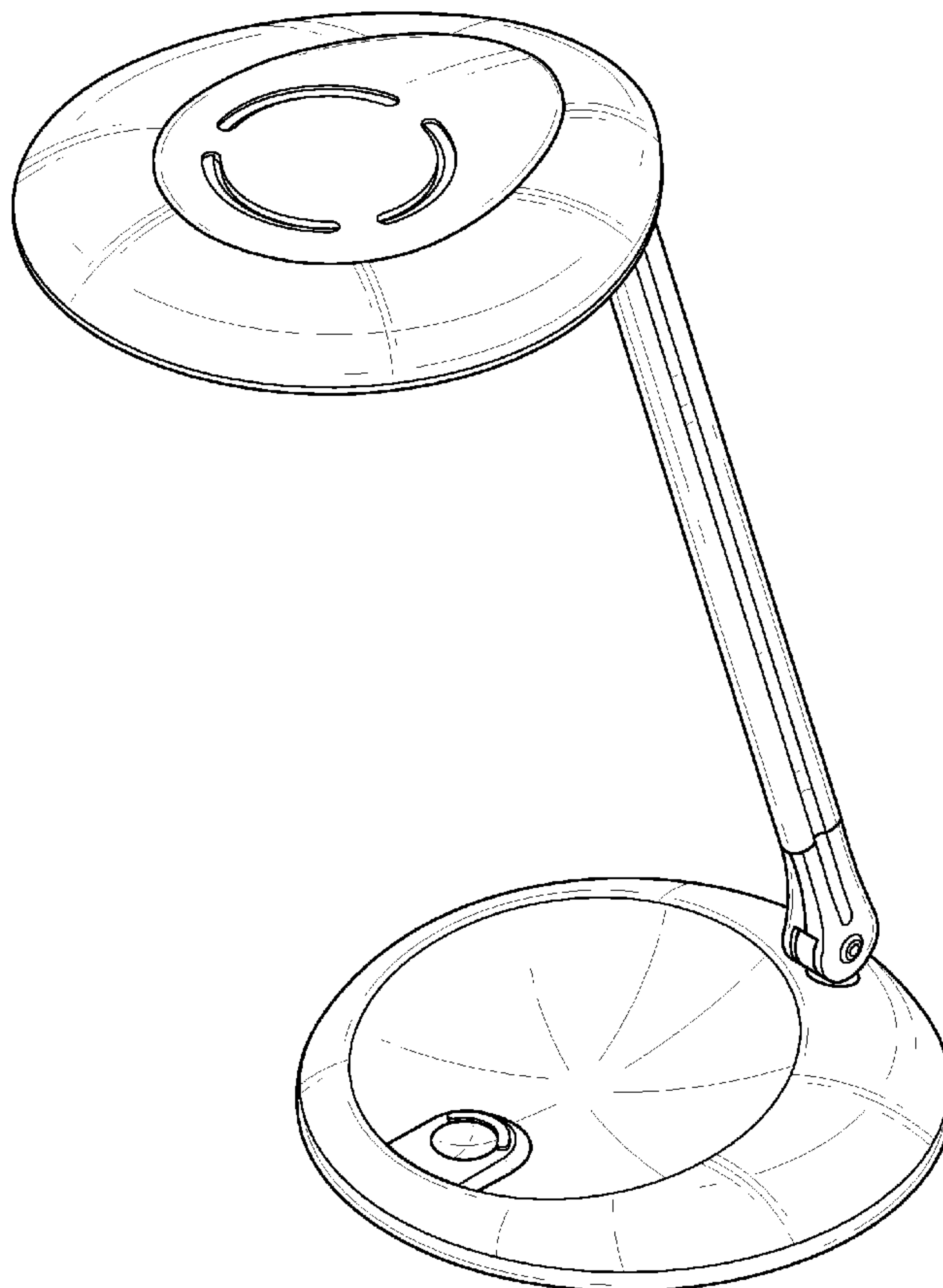
FIG. 4 is a left side view thereof;

FIG. 5 is a right side view thereof;

FIG. 6 is a top view thereof; and,

FIG. 7 is a bottom view thereof.

**1 Claim, 7 Drawing Sheets**



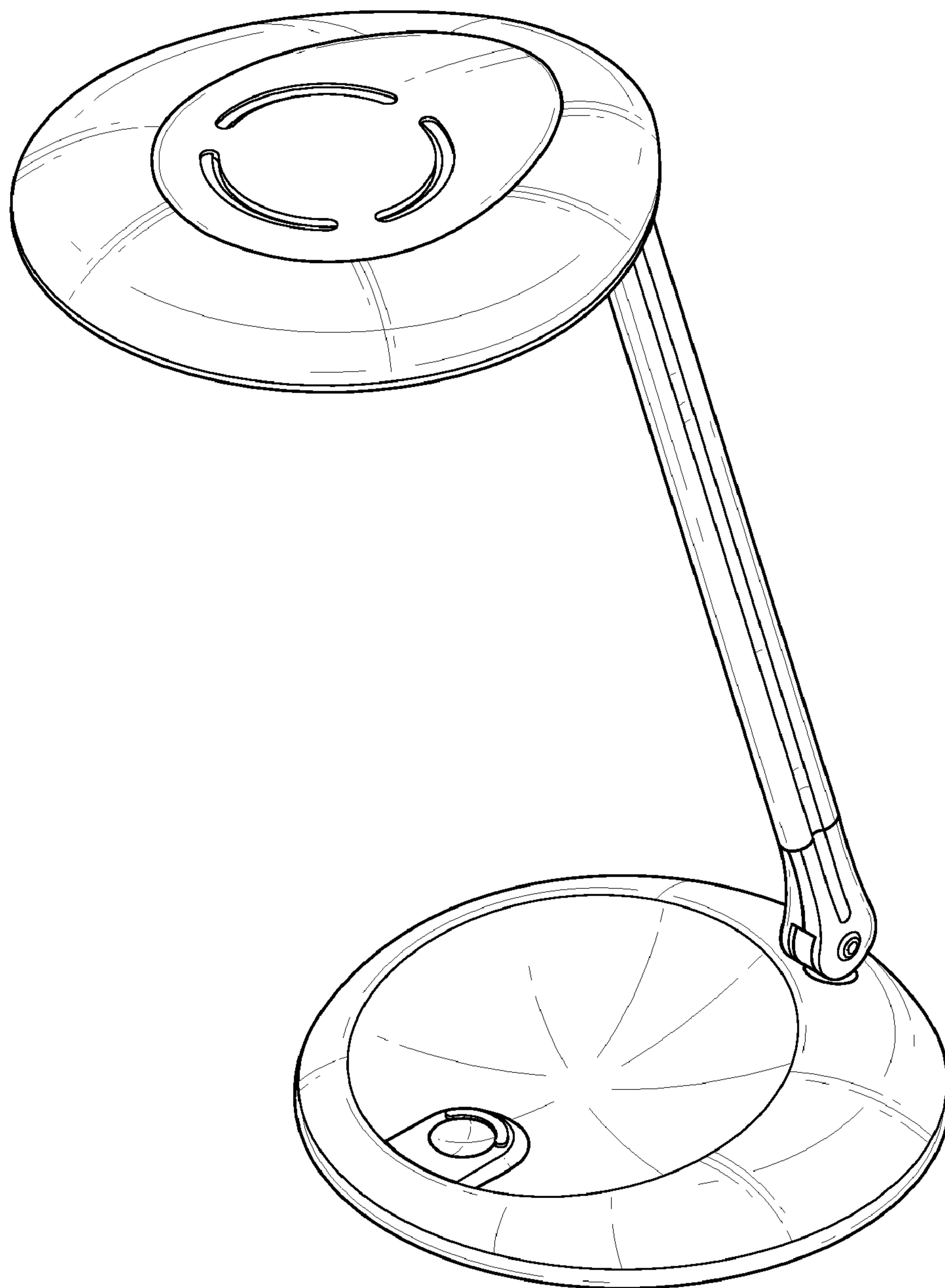


FIG.1

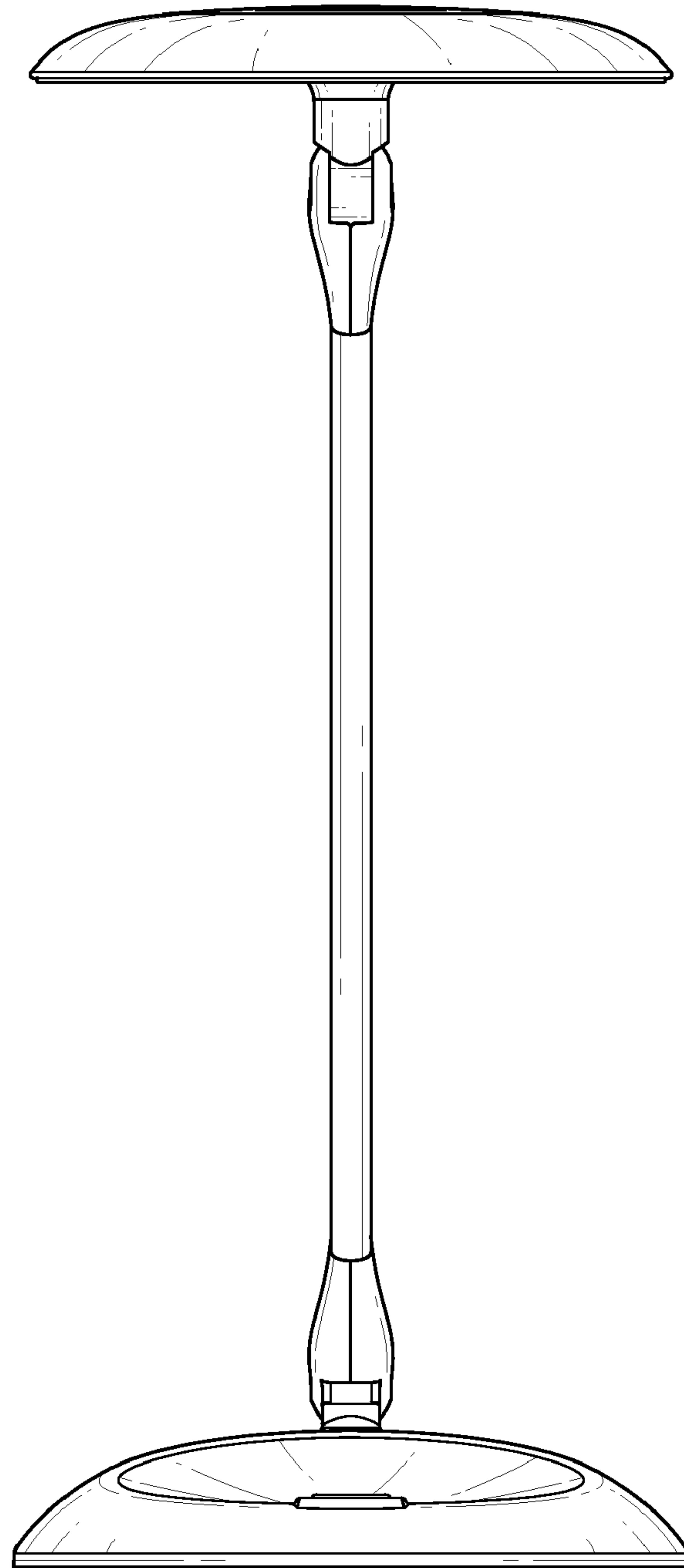


FIG. 2

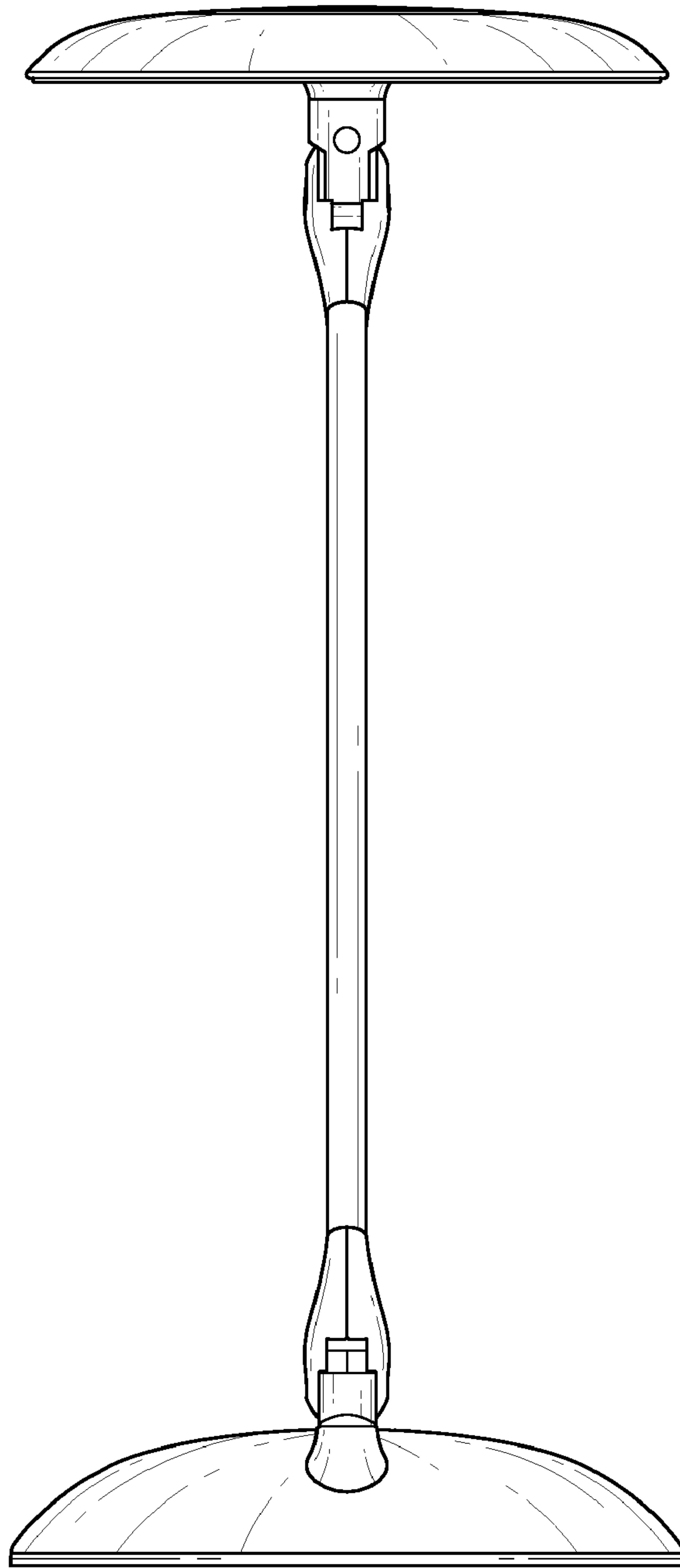


FIG. 3

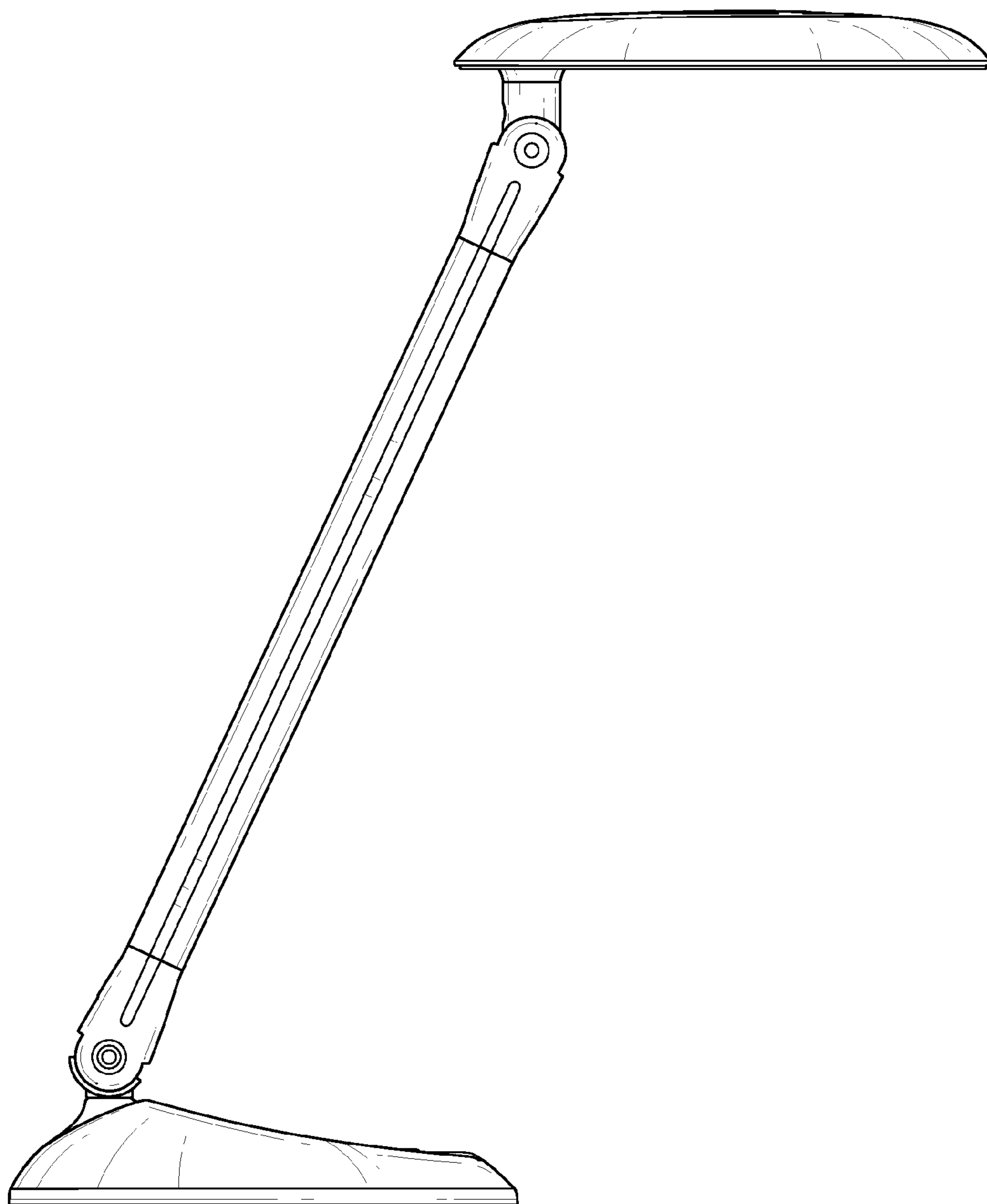


FIG.4

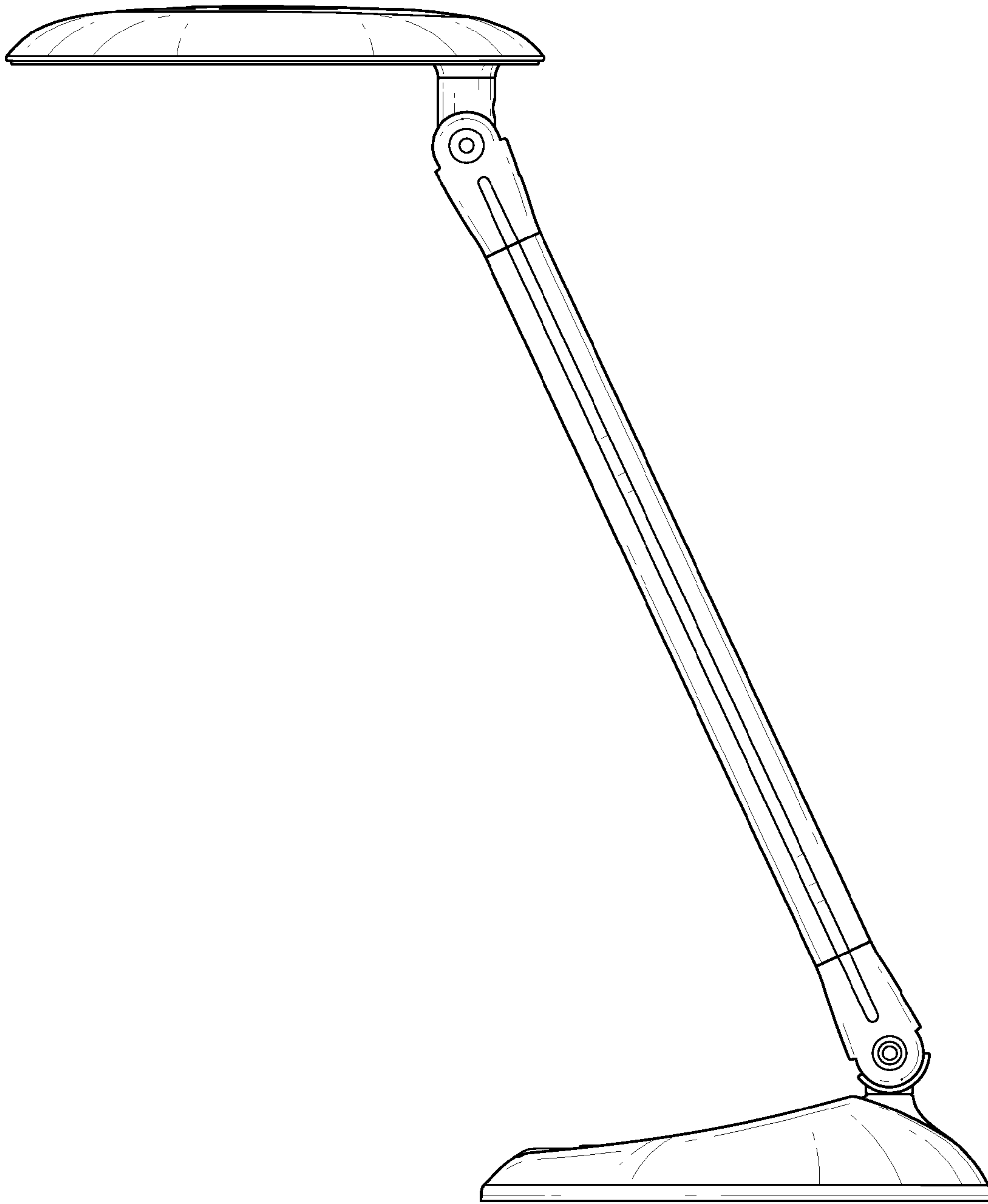


FIG.5

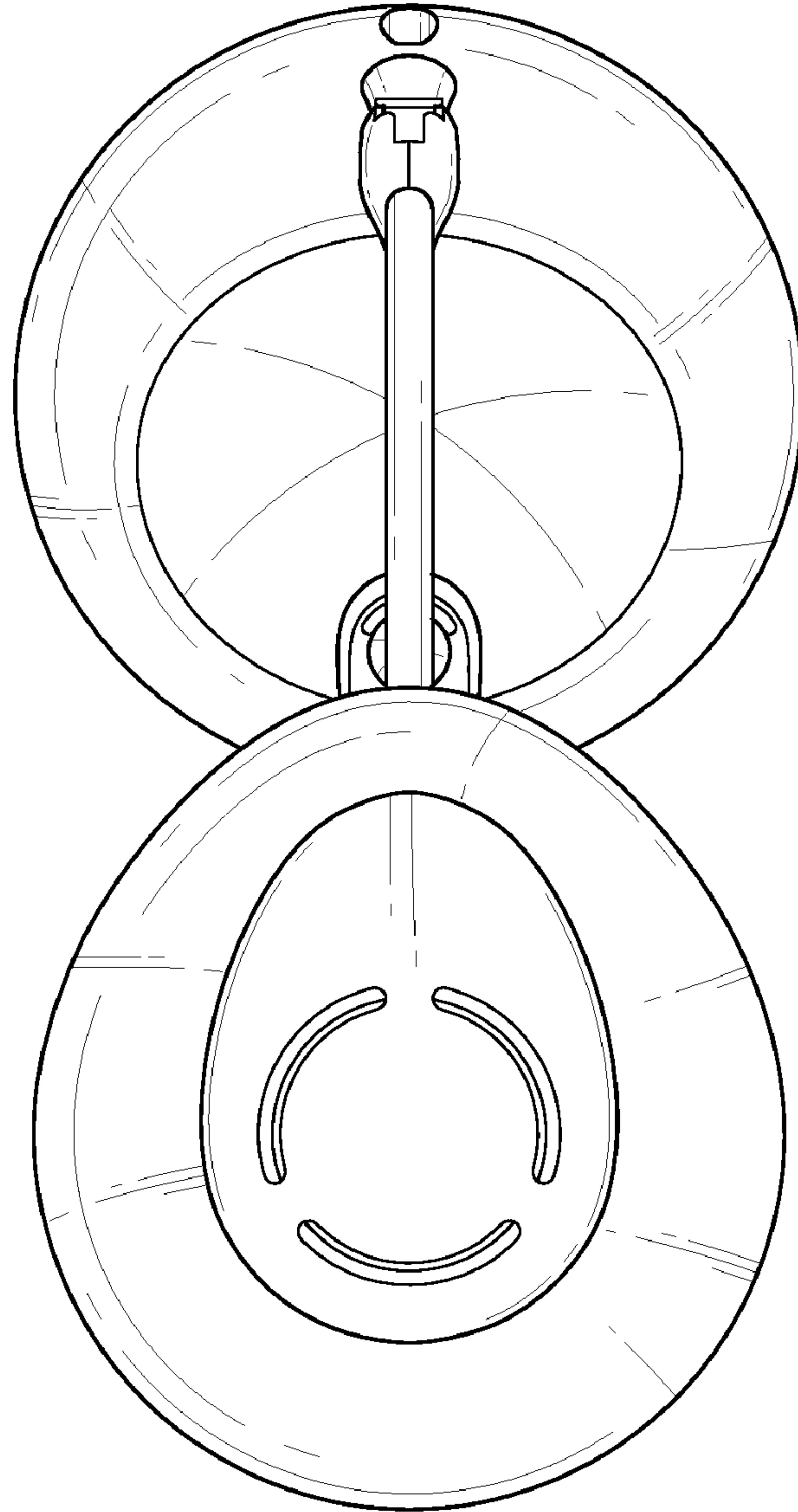


FIG.6

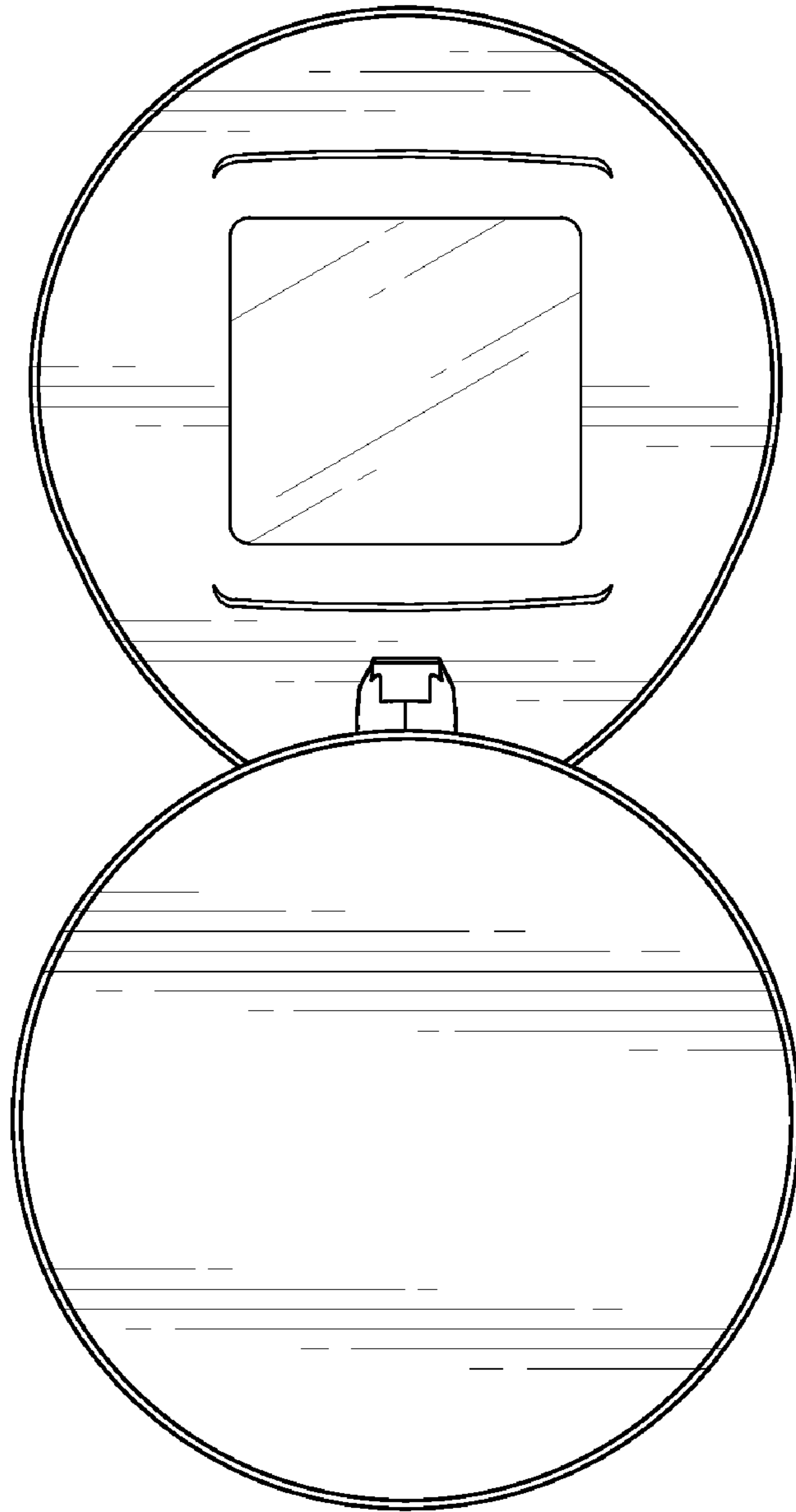


FIG. 7