



US00D623788S

(12) **United States Design Patent**
Huang

(10) **Patent No.:** **US D623,788 S**
(45) **Date of Patent:** **** Sep. 14, 2010**

(54) **TABLE LAMP**

(75) Inventor: **Huo-Tu Huang**, Taipei County (TW)

(73) Assignee: **Huangslite Industrial Co., Ltd.**, Taipei (TW)

(**) Term: **14 Years**

(21) Appl. No.: **29/347,632**

(22) Filed: **Mar. 23, 2010**

(51) **LOC (9) Cl.** **26-05**

(52) **U.S. Cl.** **D26/65**

(58) **Field of Classification Search** D26/61-65,
D26/107; 362/269, 275, 285, 371, 410, 413,
362/414, 418, 419, 427

See application file for complete search history.

(56) **References Cited**

U.S. PATENT DOCUMENTS

D310,886 S *	9/1990	Gismondi et al.	D26/65
D382,362 S *	8/1997	Huang	D26/65
D385,052 S *	10/1997	Huang	D26/60
D405,903 S *	2/1999	Lin	D26/64
D408,569 S *	4/1999	Waldmann	D26/63

D569,539 S *	5/2008	Behar et al.	D26/63
D580,578 S *	11/2008	Chien	D26/63
D612,525 S *	3/2010	Huang	D26/63
D613,892 S *	4/2010	Huang	D26/63
D616,588 S *	5/2010	Lee	D26/63
D617,932 S *	6/2010	Chan	D26/63

* cited by examiner

Primary Examiner—Clare E Heflin

(57) **CLAIM**

The ornamental design for table lamp, as shown and described.

DESCRIPTION

FIG. 1. is a perspective view of table lamp showing my new design

FIG. 2. is a front elevational view thereof;

FIG. 3. is a rear elevational view thereof;

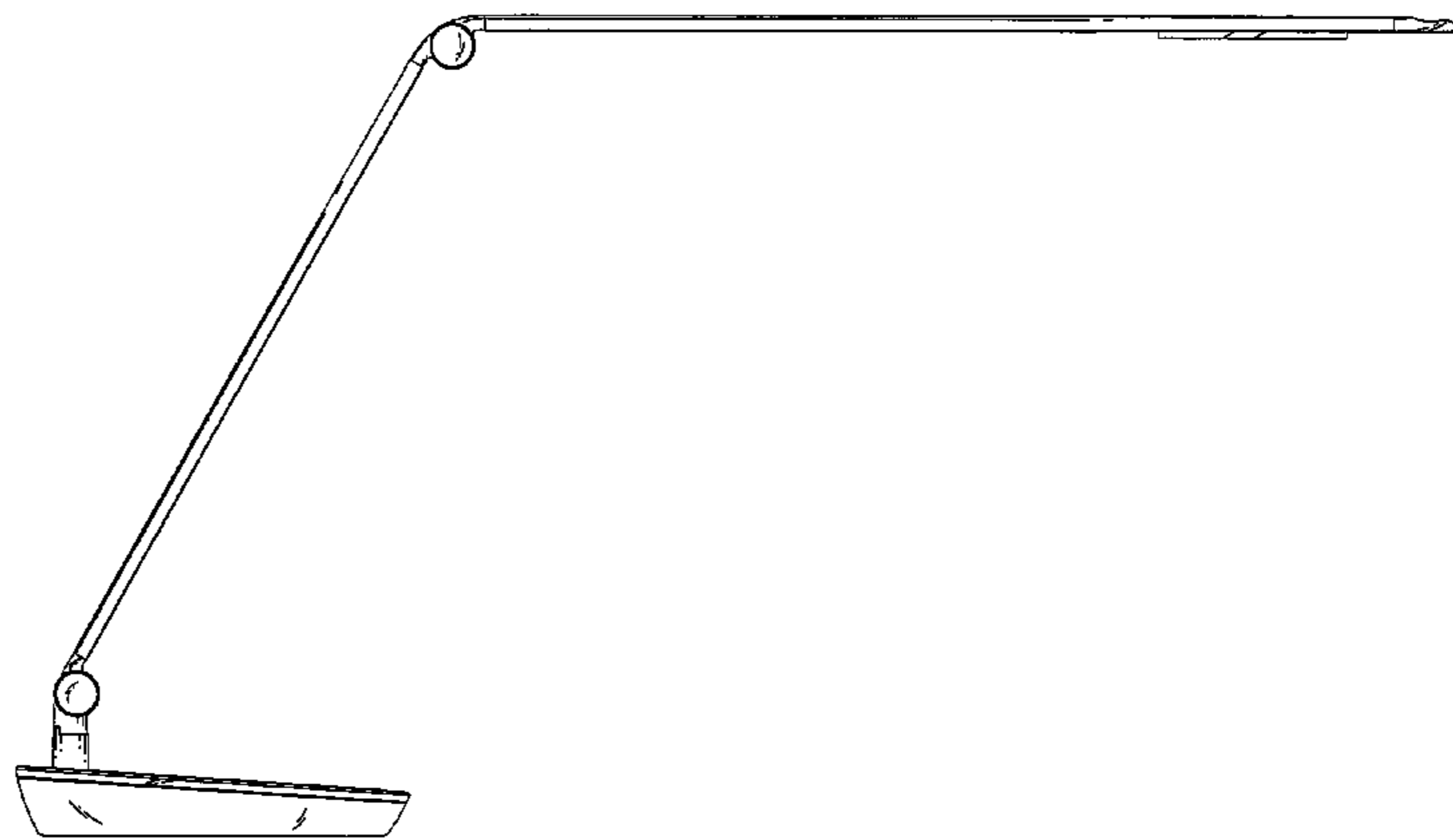
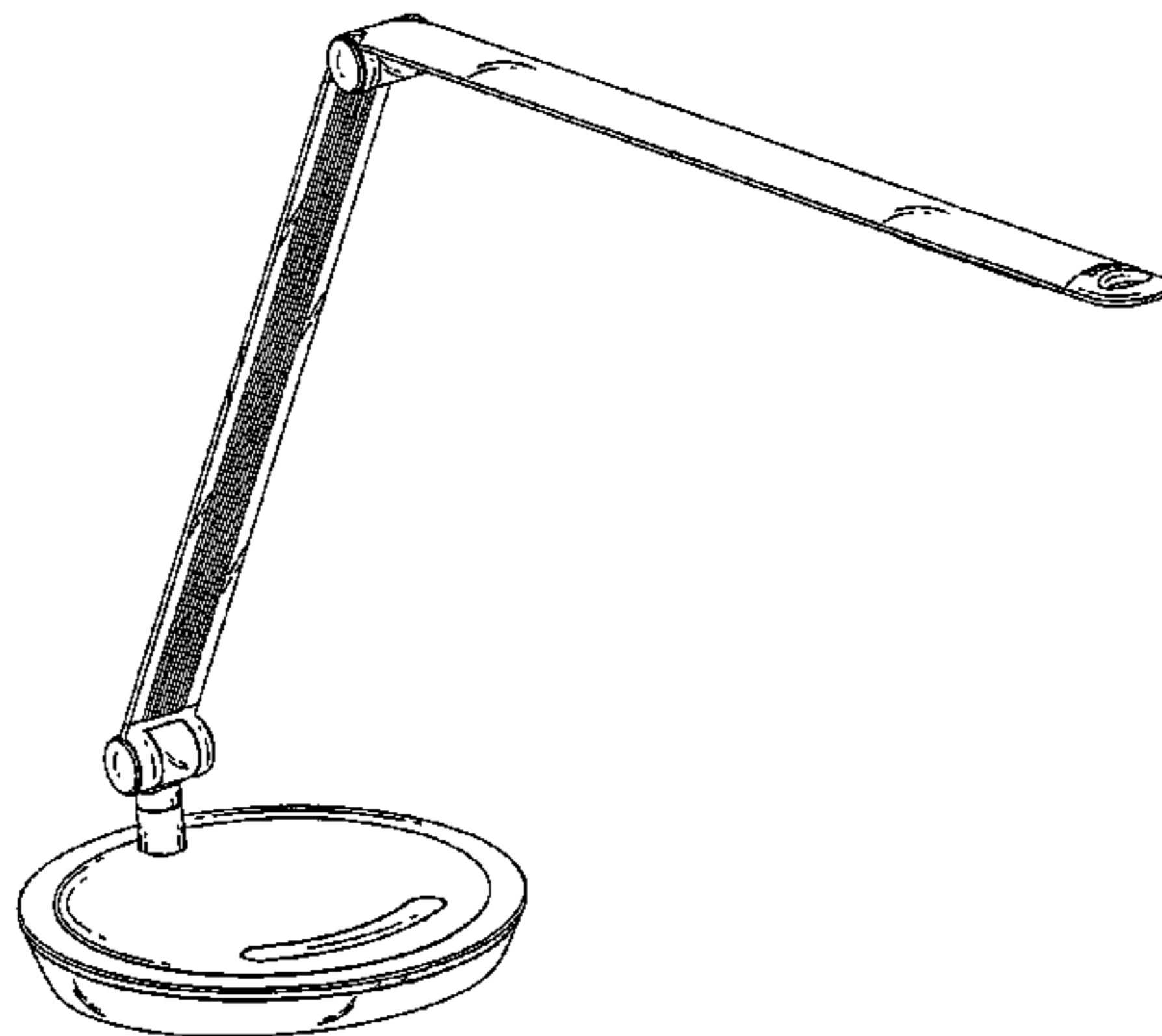
FIG. 4. is a left side elevational view thereof;

FIG. 5. is a right side elevational view thereof;

FIG. 6. is a top plan view thereof; and,

FIG. 7. is a bottom plan view thereof.

1 Claim, 6 Drawing Sheets



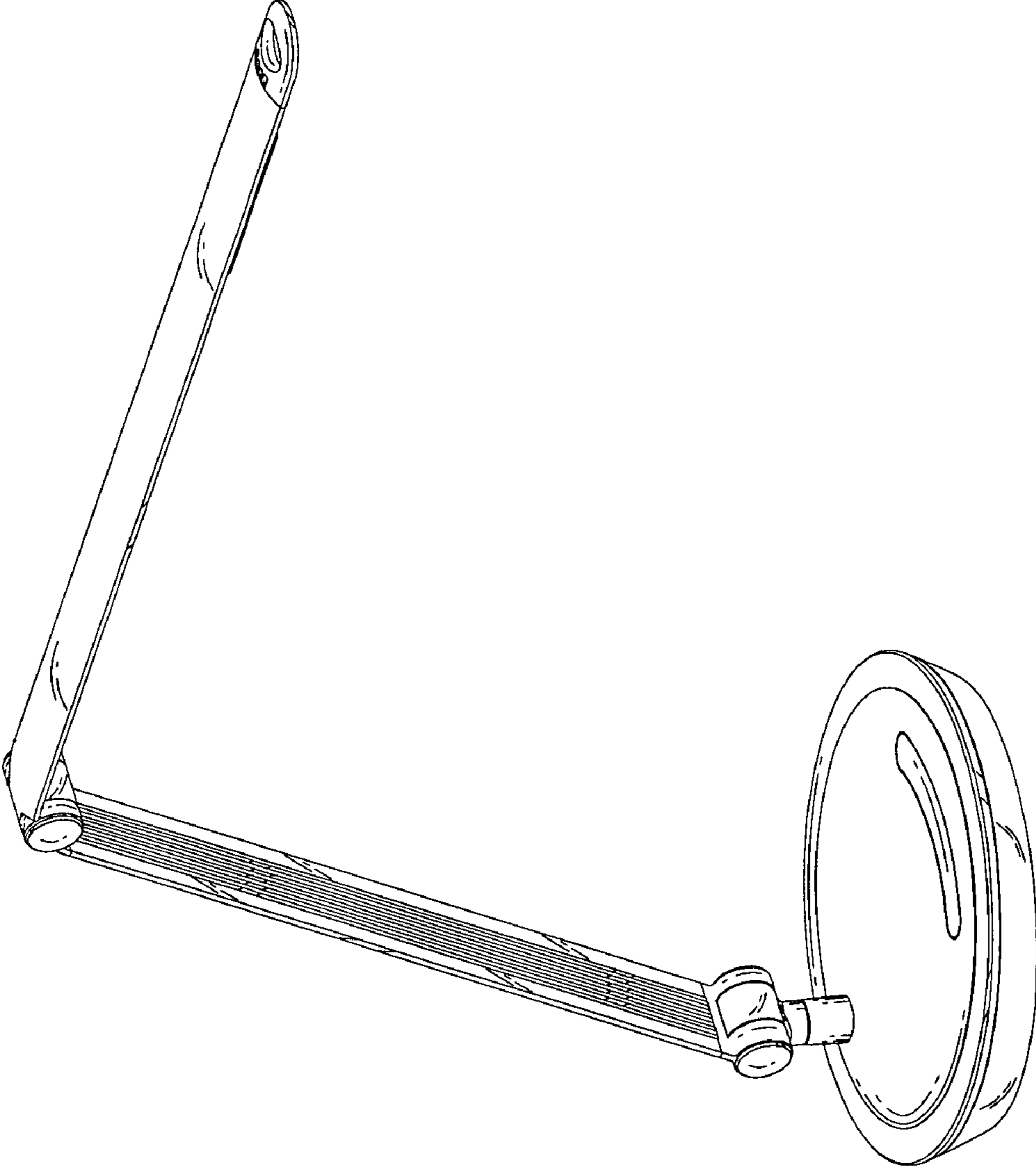


FIG. 1

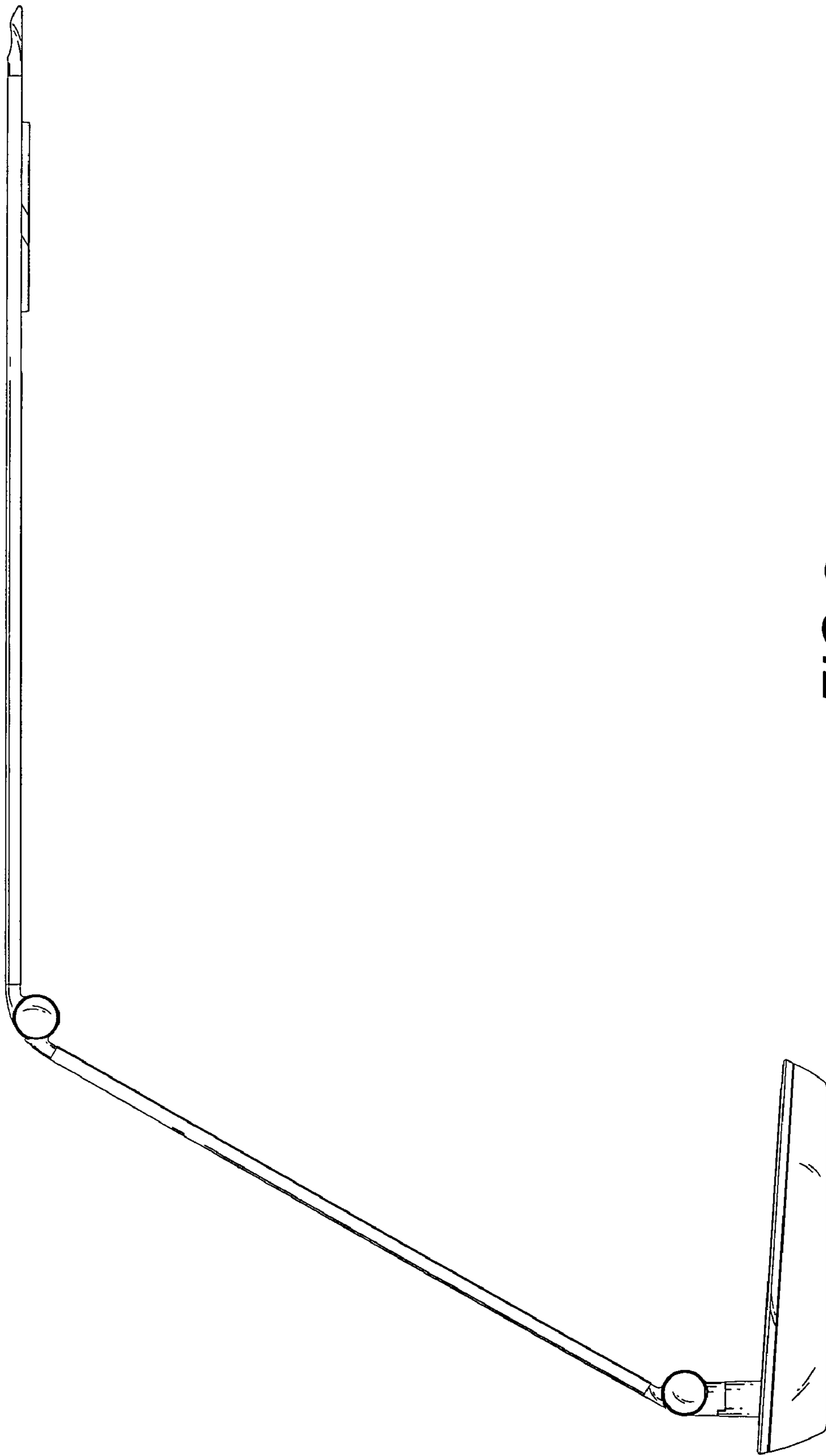


FIG. 2

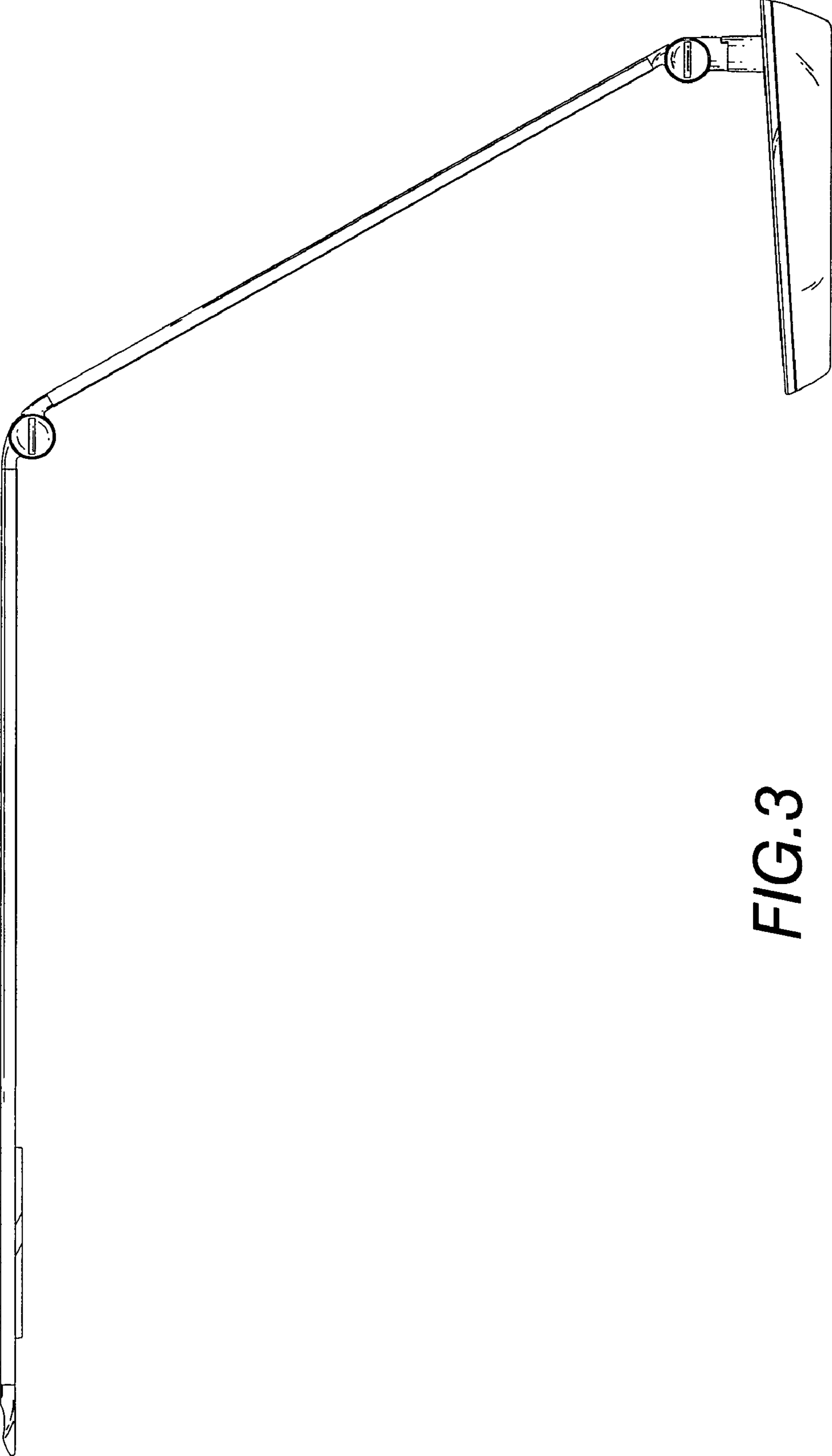


FIG. 3

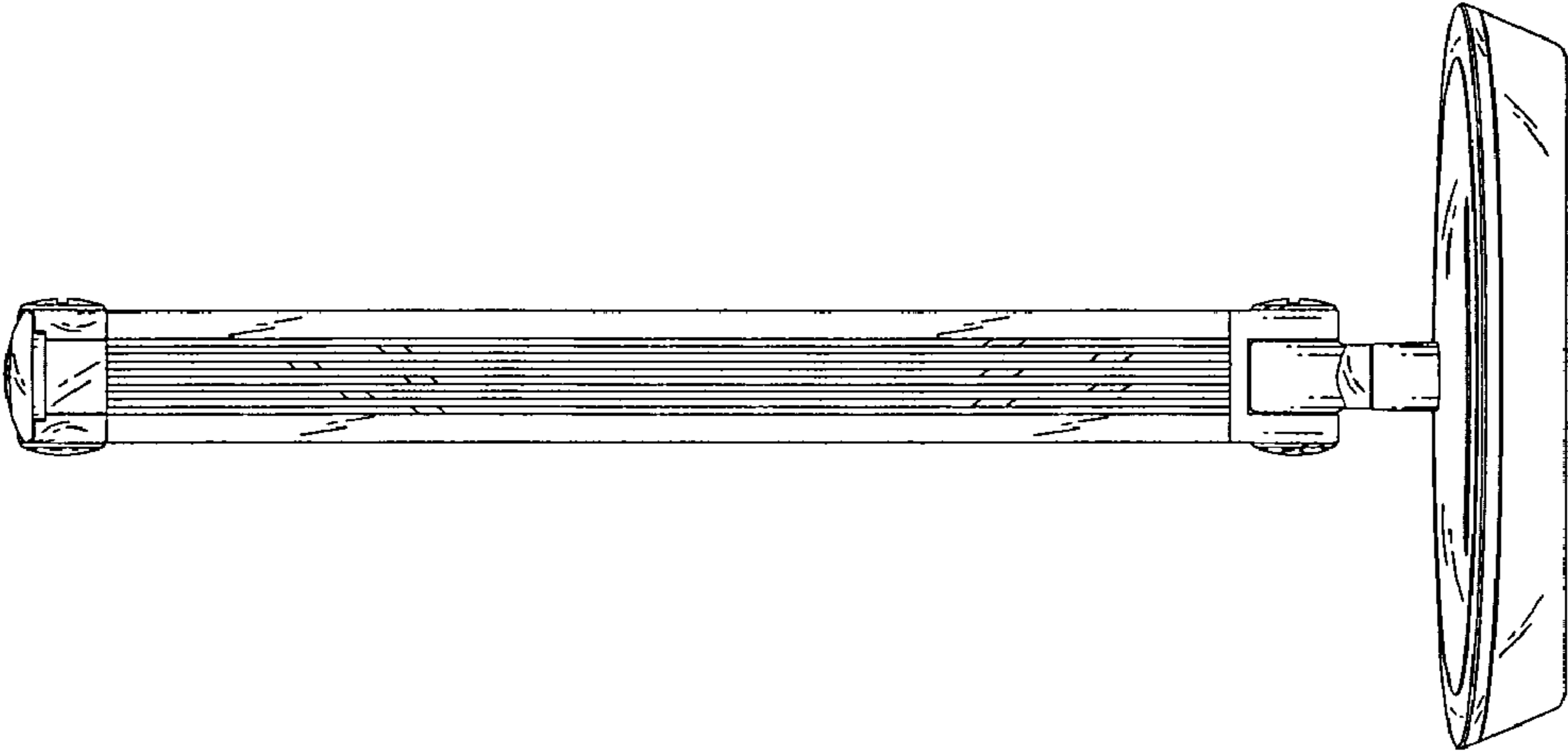


FIG.5

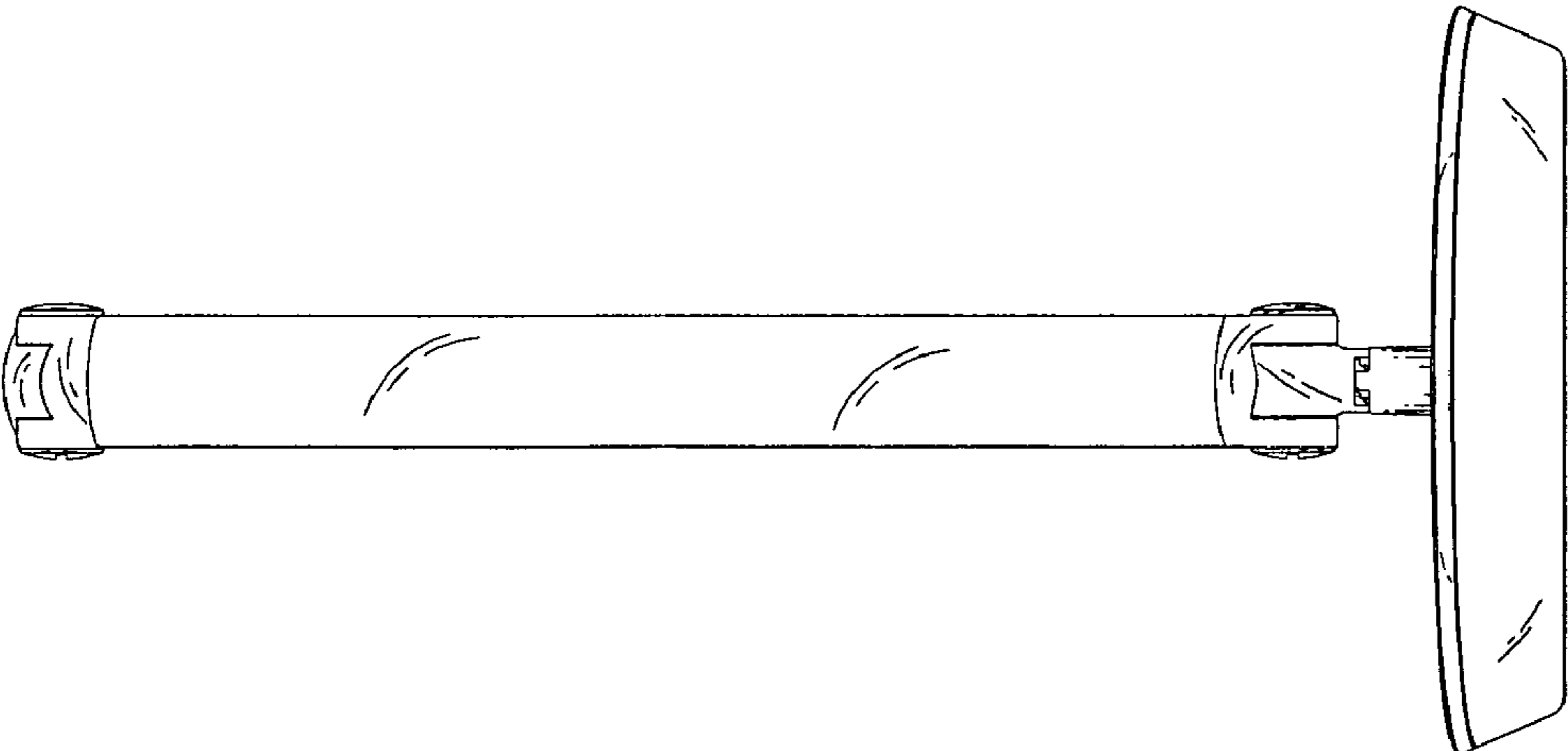


FIG.4

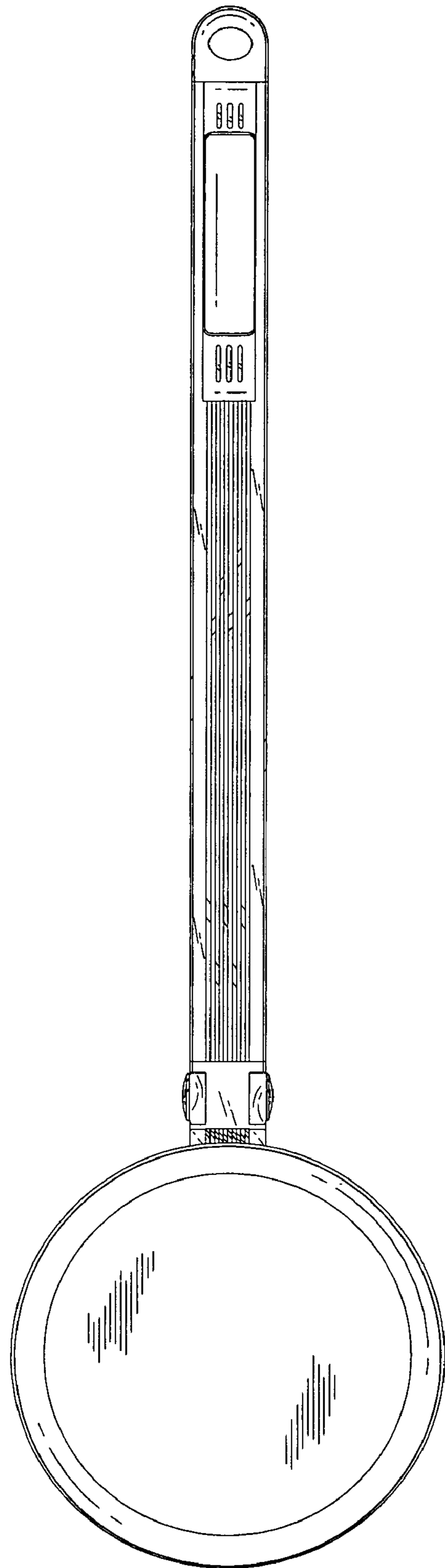


FIG. 6

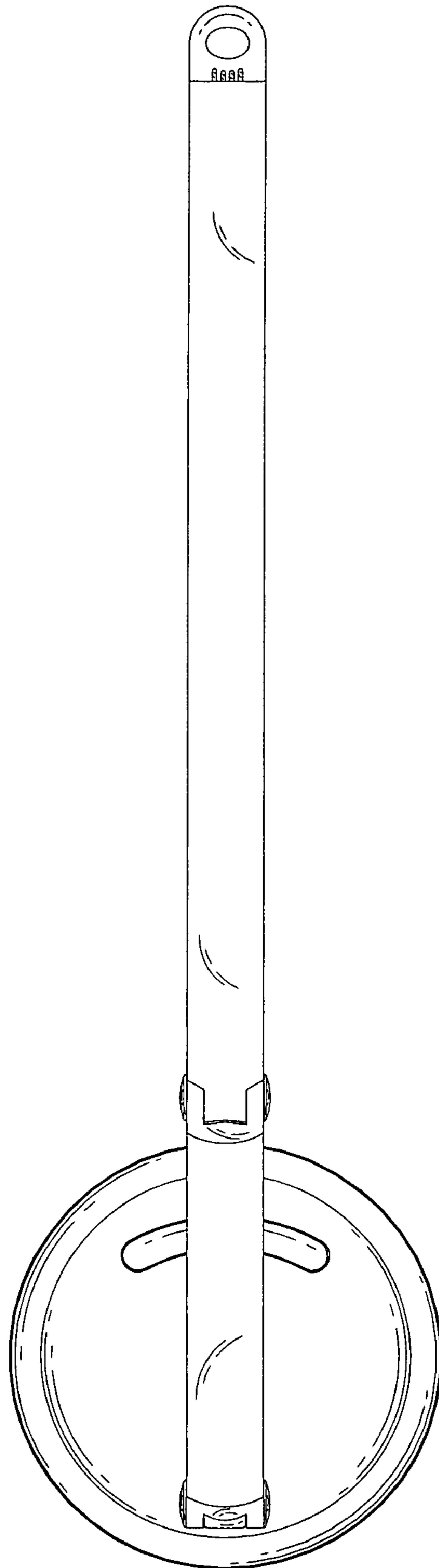


FIG. 7