



US00D623787S

(12) **United States Design Patent**
Kuo

(10) **Patent No.:** **US D623,787 S**

(45) **Date of Patent:** **** Sep. 14, 2010**

(54) **LED DASH/DECK LIGHT**

(75) Inventor: **Tzu-Fan Kuo**, Guanmiao Township,
Tainan County (TW)

(73) Assignee: **Whalcer Technologies, Inc.**, Brooklyn,
NY (US)

(**) Term: **14 Years**

(21) Appl. No.: **29/341,669**

(22) Filed: **Aug. 11, 2009**

(51) **LOC (9) Cl.** **26-05**

(52) **U.S. Cl.** **D26/60**

(58) **Field of Classification Search** D26/61-66,
D26/107; 362/410-414, 427-428, 397, 800
See application file for complete search history.

(56) **References Cited**

U.S. PATENT DOCUMENTS

D390,992	S	*	2/1998	Shemitz	D26/63
5,971,571	A	*	10/1999	Rose	362/346
6,422,709	B1	*	7/2002	Panagiotou	362/16
D472,339	S	*	3/2003	Russello et al.	D26/63
6,644,829	B1	*	11/2003	Tracy et al.	362/220

* cited by examiner

Primary Examiner—Mitchell I Siegel

(74) *Attorney, Agent, or Firm*—Dekel Patent Ltd.; David Klein

(57) **CLAIM**

The ornamental design for a LED dash/deck light, as shown and described.

DESCRIPTION

FIG. 1 is a rear view of a LED dash/deck light showing my new design;

FIG. 2 is a bottom view thereof;

FIG. 3 is a front view thereof;

FIG. 4 is a left side view thereof;

FIG. 5 is a perspective view thereof; and

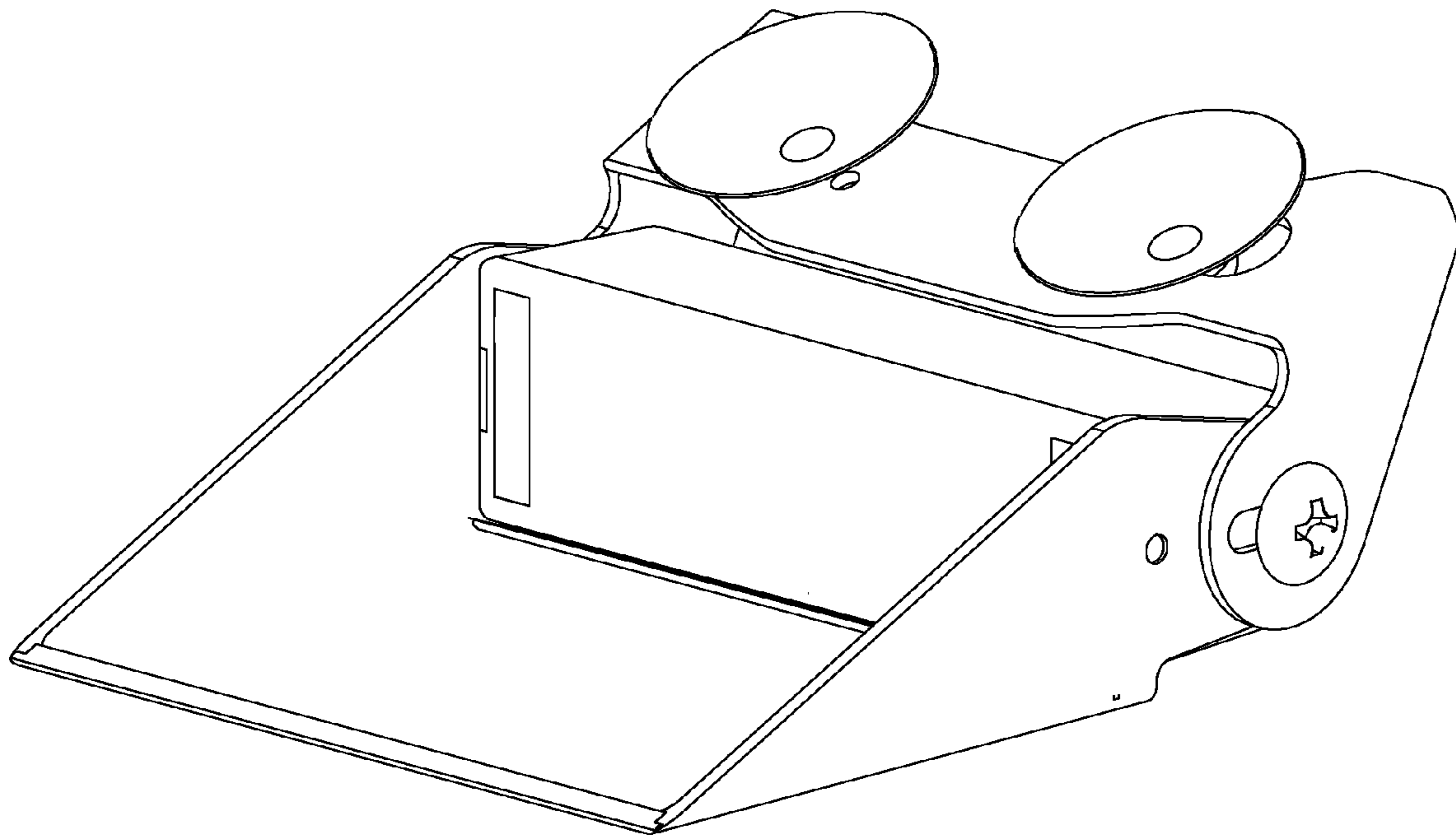
FIG. 6 is a right side view thereof; and,

FIG. 7 is a top view thereof.

The broken line showing is included for the purpose of illustrating and forms no part of the claimed design.

The nature and intended use of the article in which the design is embodied is that of a LED (light emitting diode) dash/deck light for use on a dashboard or deck of a vehicle and the like.

1 Claim, 7 Drawing Sheets



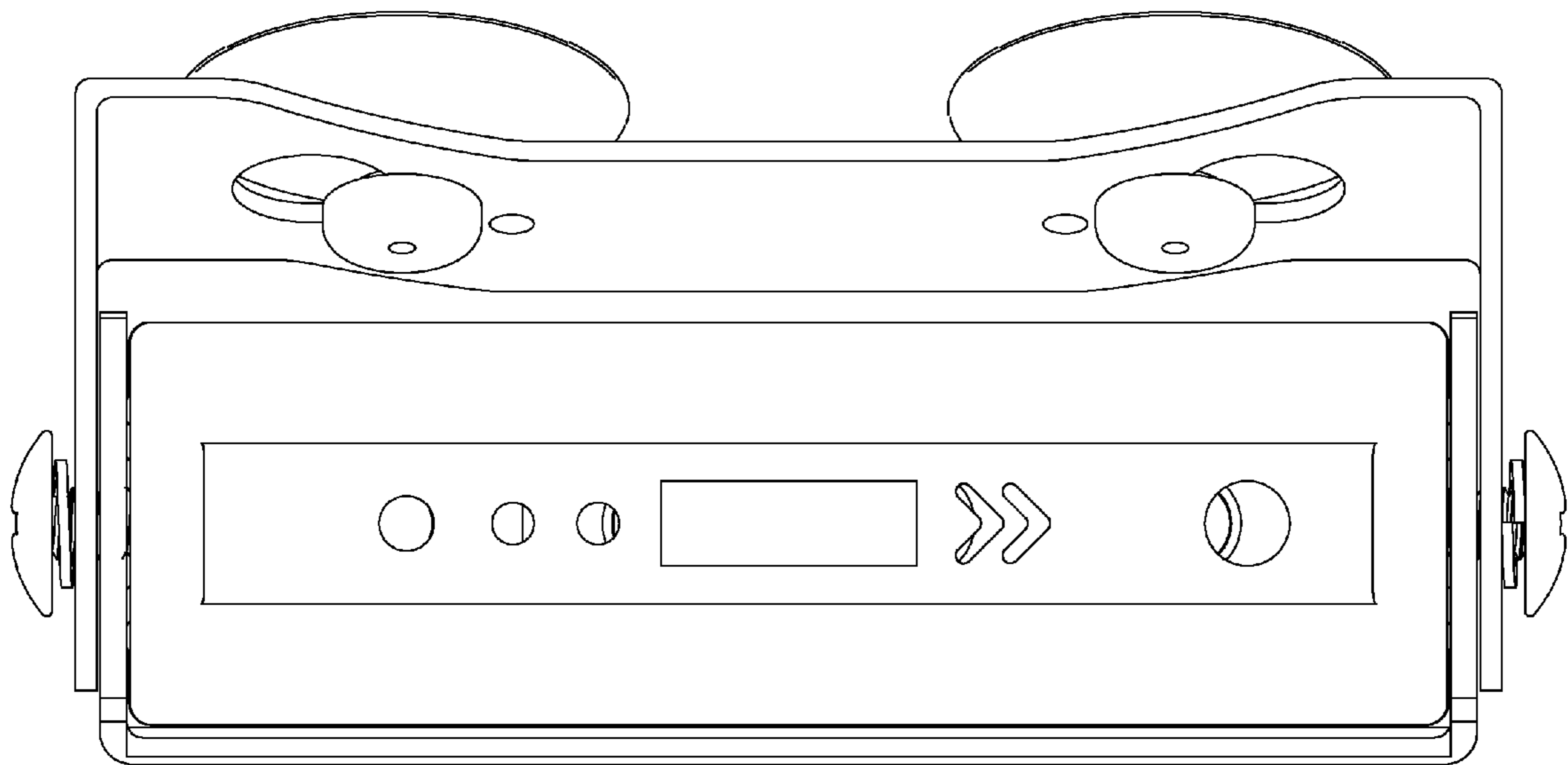


FIG. 1

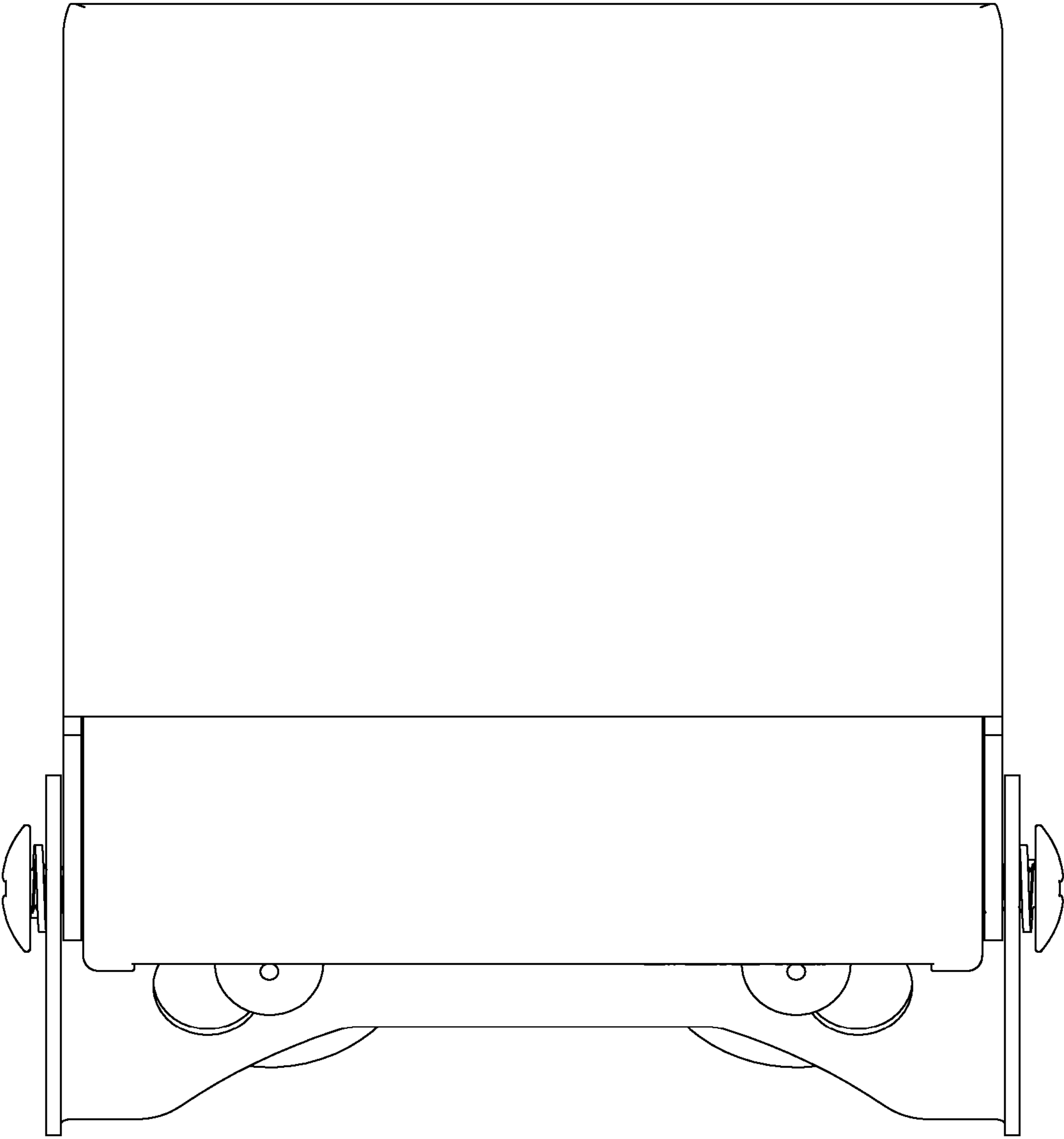


FIG. 2

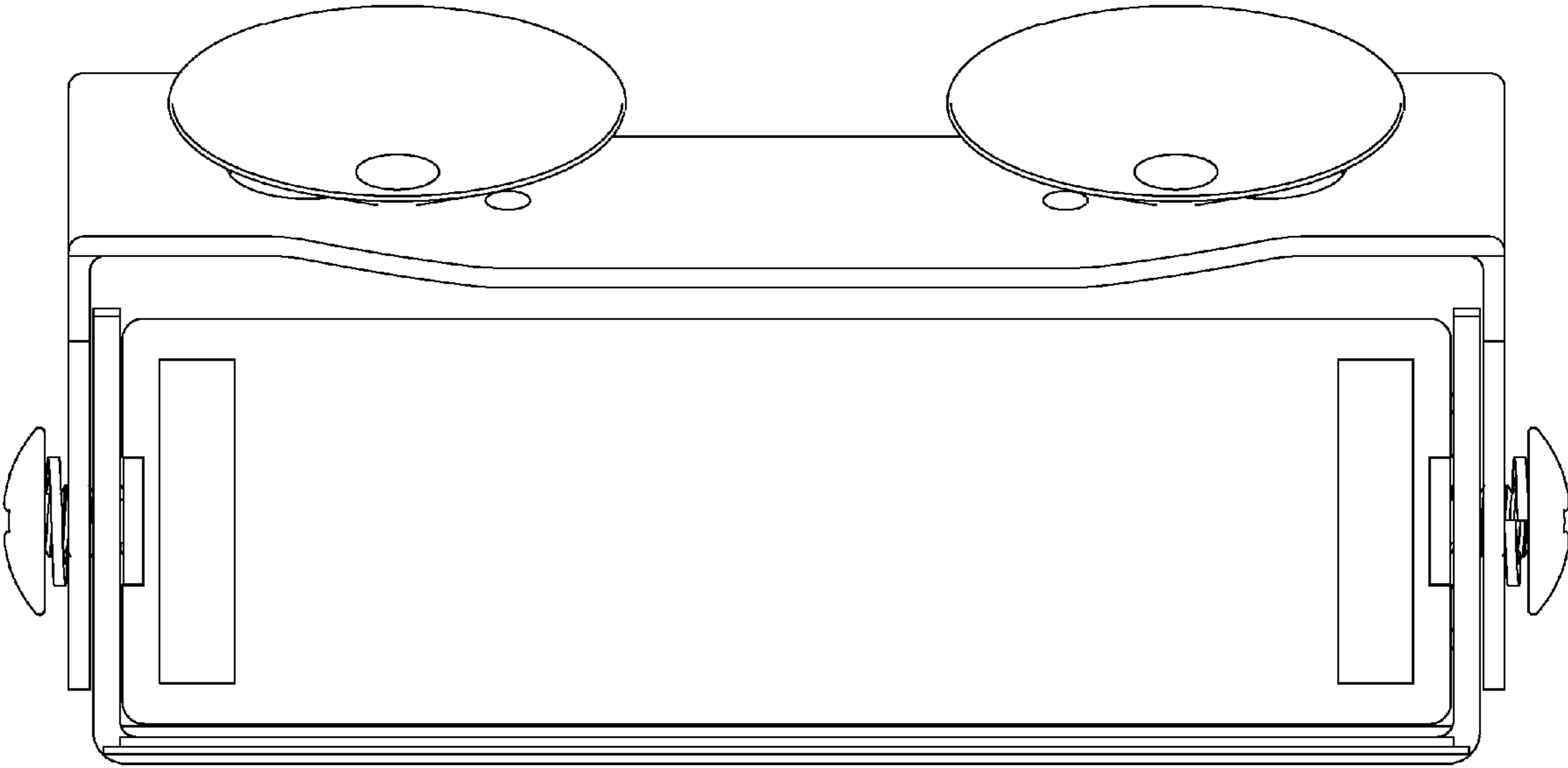


FIG. 3

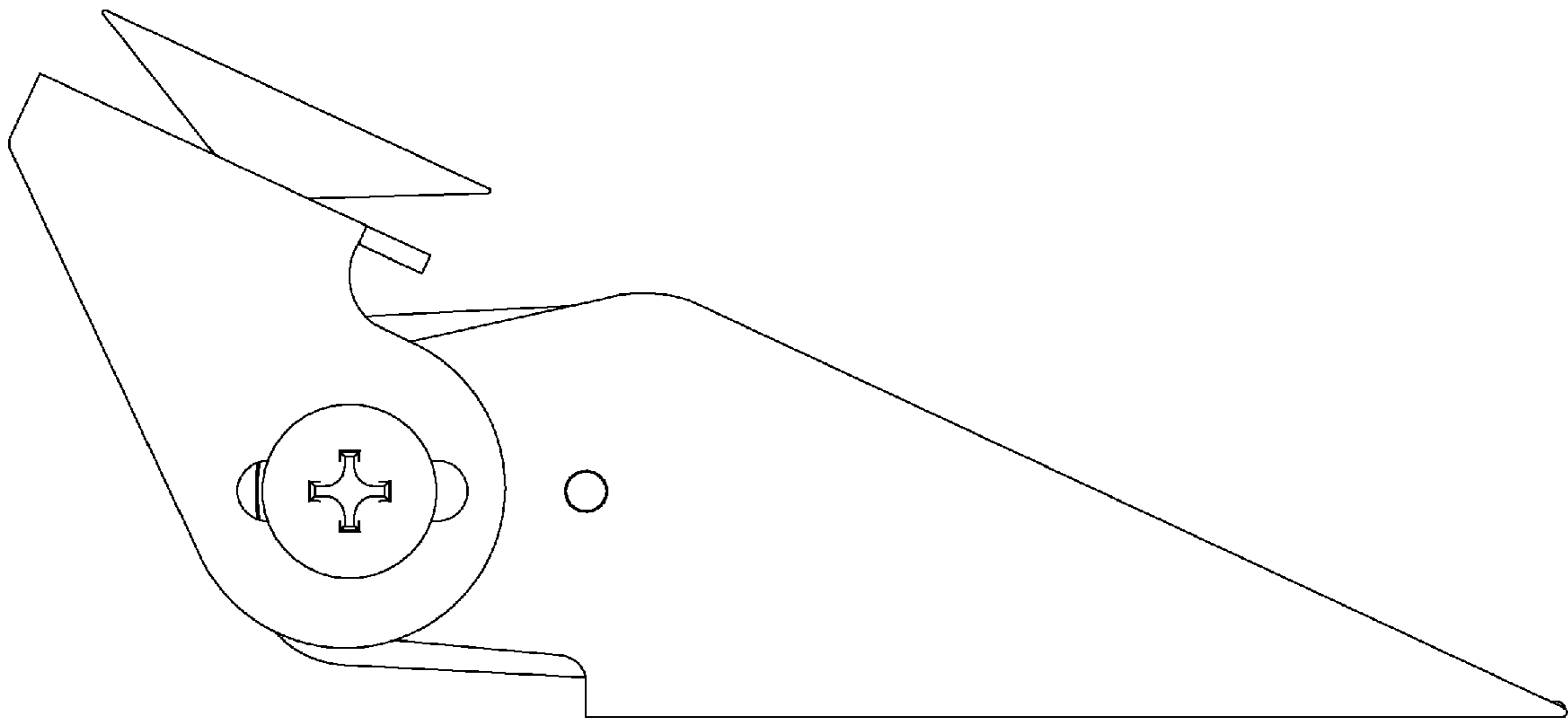


FIG. 4

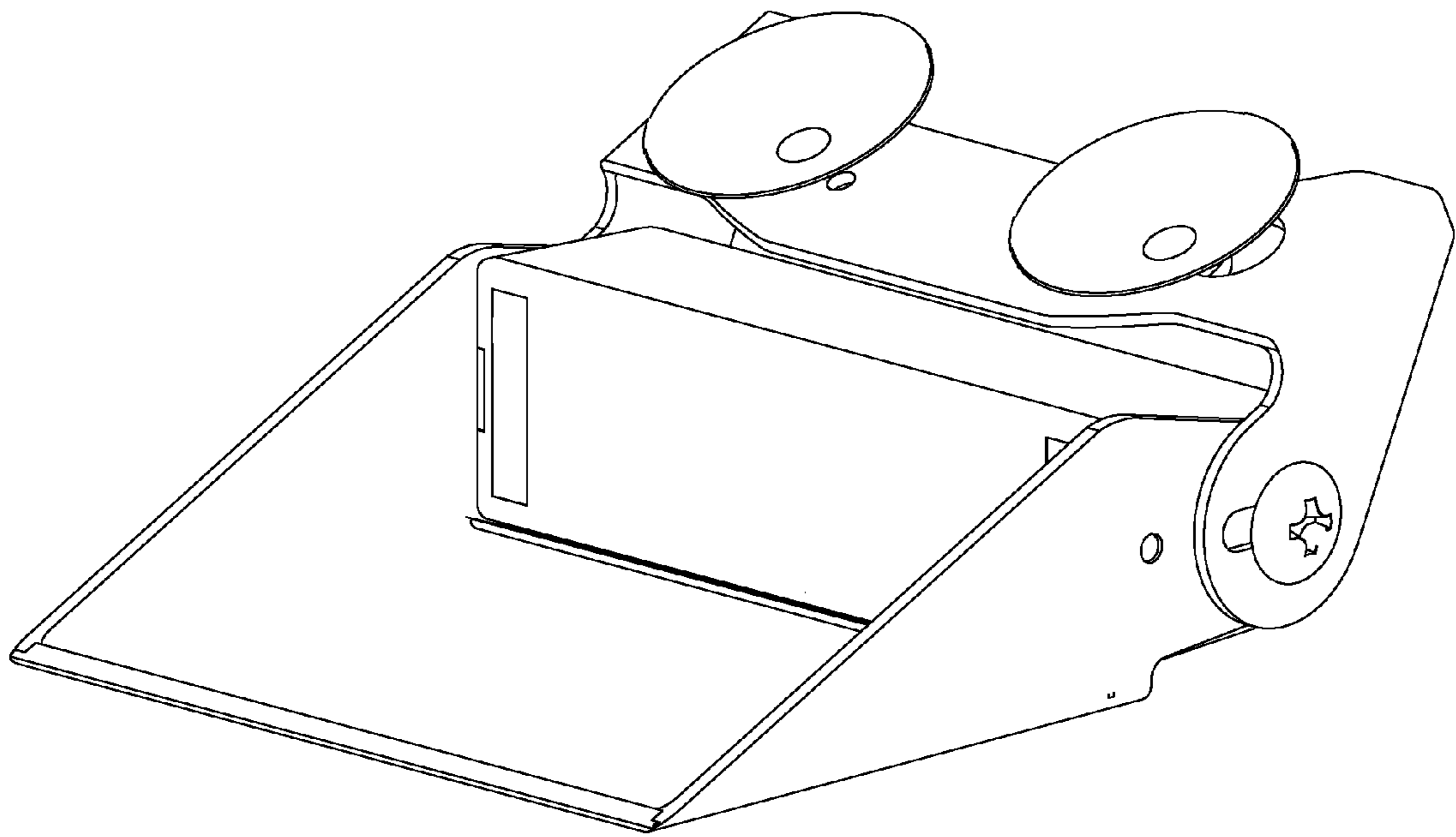


FIG. 5

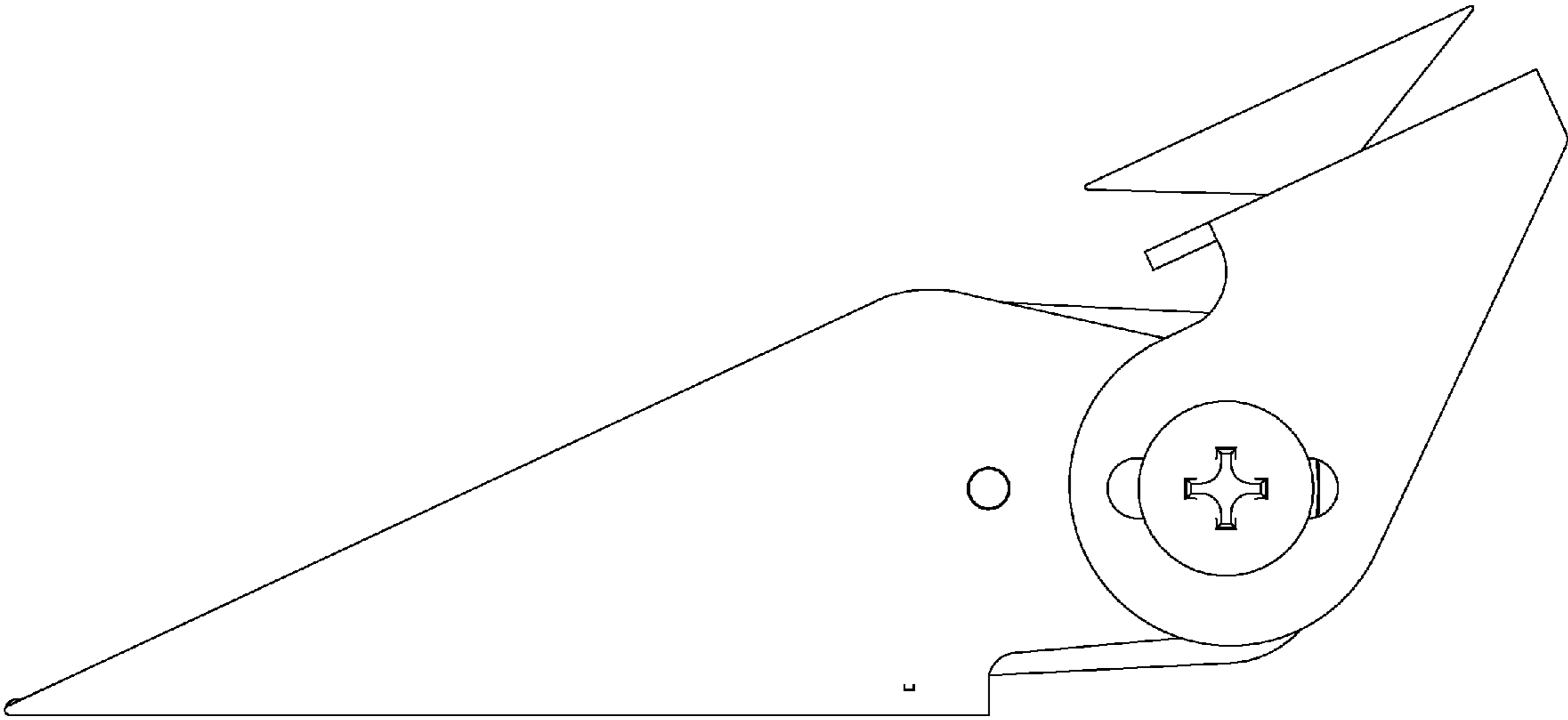


FIG. 6

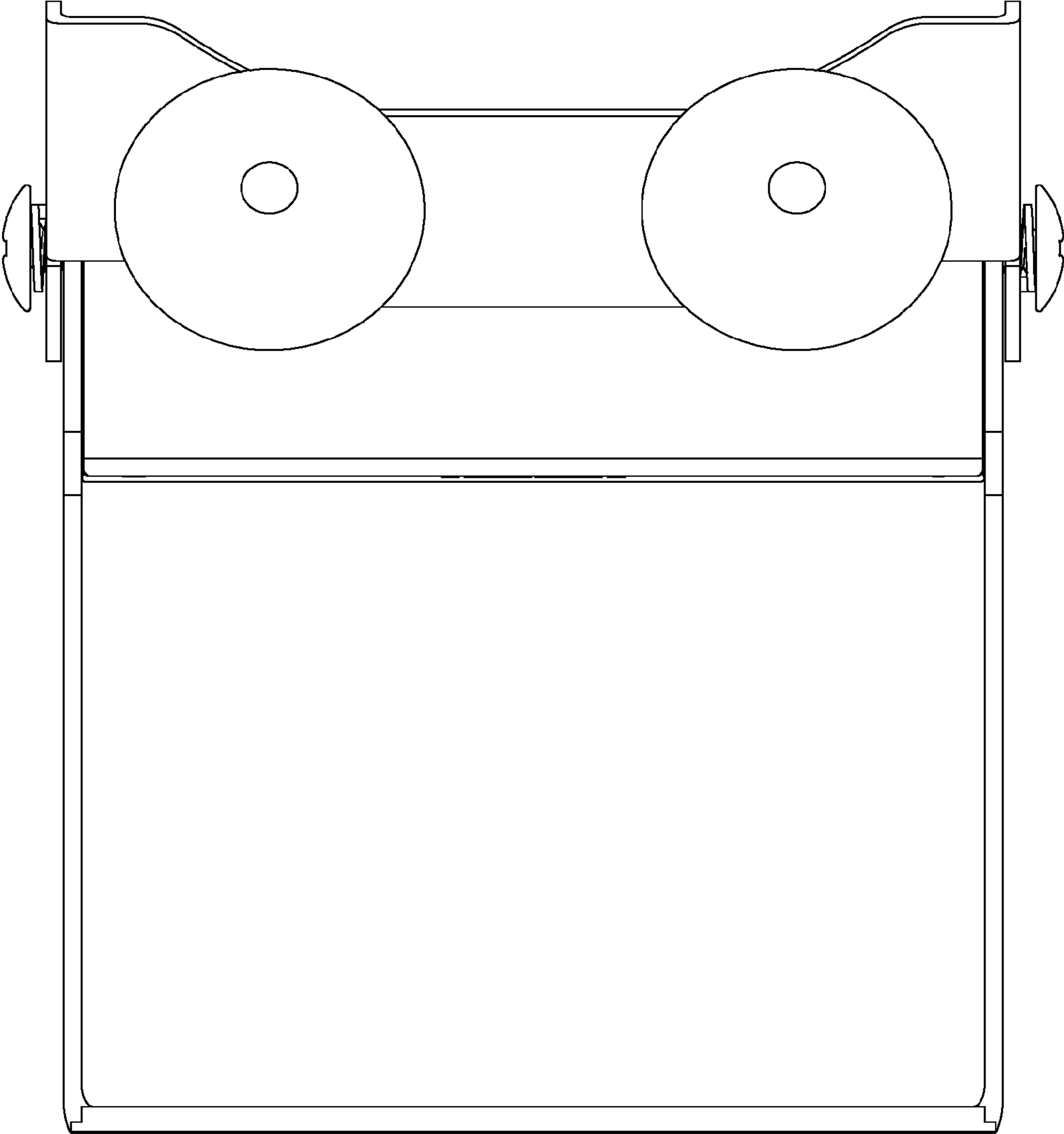


FIG. 7