



US00D623785S

(12) **United States Design Patent**  
**Wessel**

(10) **Patent No.:** **US D623,785 S**  
(45) **Date of Patent:** **\*\* Sep. 14, 2010**

(54) **CONVERTIBLE WORK LIGHT**

(76) Inventor: **Elmer A. Wessel**, 3330 Manassas,  
Lincoln, NE (US) 68516

(\*\*) Term: **14 Years**

(21) Appl. No.: **29/352,767**

(22) Filed: **Dec. 24, 2009**

(51) **LOC (9) Cl.** ..... **26-01**

(52) **U.S. Cl.** ..... **D26/49; D26/51**

(58) **Field of Classification Search** ..... **D26/37,**  
**D26/38, 46, 49, 40, 42, 51, 144; 362/157,**  
**362/158, 183, 190, 194-208; D6/498; D16/244**  
See application file for complete search history.

(56) **References Cited**

**U.S. PATENT DOCUMENTS**

D377,538	S *	1/1997	Blevins	.....	D26/38
D450,339	S *	11/2001	Eason	.....	D16/244
D480,493	S *	10/2003	Liou	.....	D26/49
D496,115	S *	9/2004	Lin	.....	D26/49
D513,642	S *	1/2006	Zhang	.....	D26/49
D546,489	S *	7/2007	Yuen	.....	D26/42
D551,368	S *	9/2007	Shiu	.....	D26/37
7,296,909	B2 *	11/2007	Van Deursen et al.	.....	362/199
D568,514	S *	5/2008	Shiu	.....	D26/49
D596,771	S *	7/2009	Lee	.....	D26/46
D604,437	S *	11/2009	Yang	.....	D26/49
2001/0020903	A1 *	9/2001	Wang	.....	340/908
2002/0136005	A1 *	9/2002	Lee	.....	362/171
2005/0036308	A1 *	2/2005	Wright	.....	362/190

\* cited by examiner

*Primary Examiner*—Carissa C. Fitts

(74) *Attorney, Agent, or Firm*—Geoffrey E. Dobbin

(57) **CLAIM**

The ornamental design for a convertible work light, as shown and described.

**DESCRIPTION**

FIG. 1 is a left elevation of the convertible work light in a stowed configuration, the right elevation being a mirror image thereof.

FIG. 2 is a front elevation of the convertible work light of FIG. 1, the rear elevation being a mirror image thereof.

FIG. 3 is a top plan view of the convertible work light of FIG. 1.

FIG. 4 is a bottom plan view of the convertible work light of FIG. 1.

FIG. 5 is a top perspective view of the convertible work light of FIG. 1.

FIG. 6 is a bottom perspective view of the convertible work light of FIG. 1.

FIG. 7 is a front elevation of the convertible work light in a deployed configuration.

FIG. 8 is a perspective view of the convertible work light of FIG. 8.

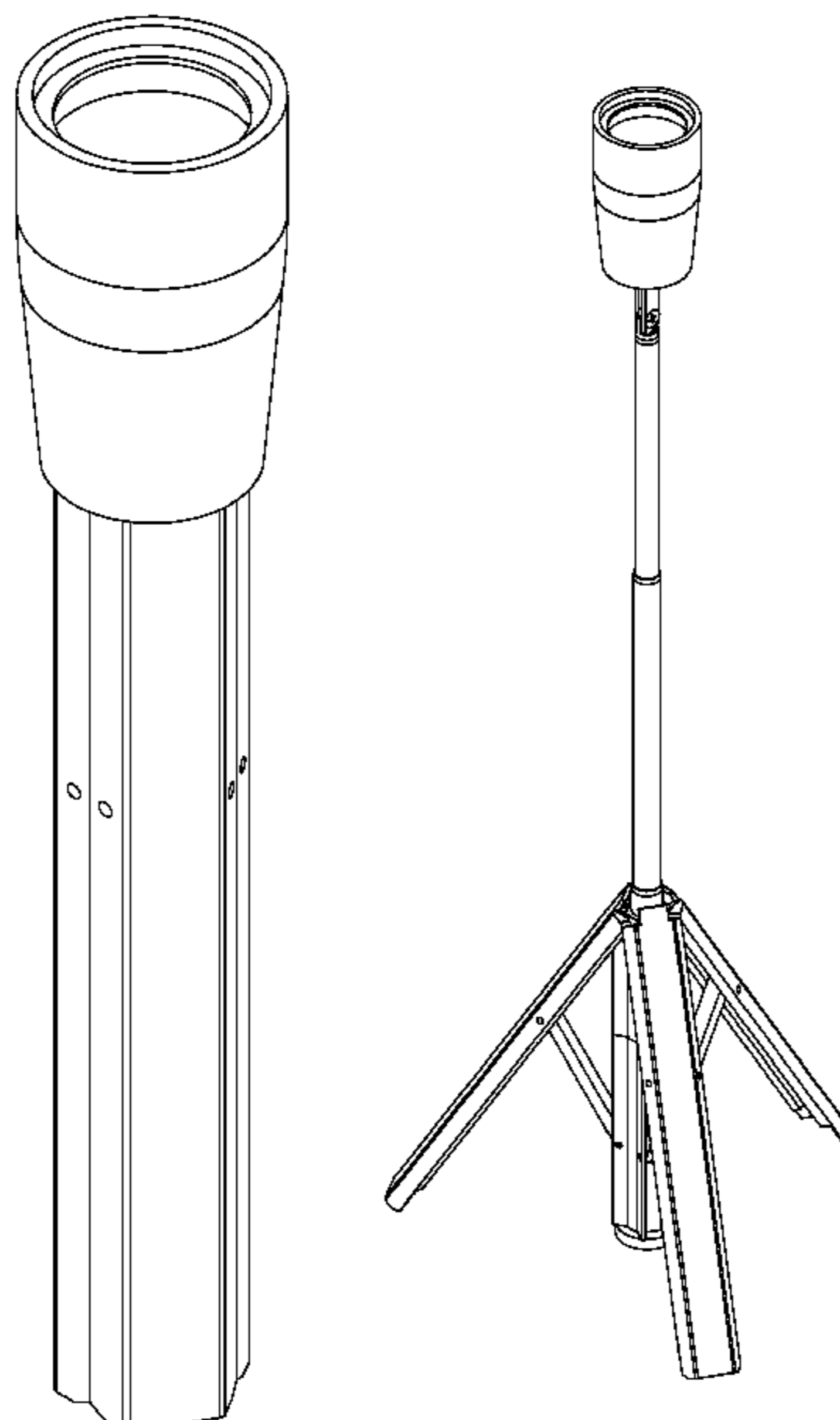
FIG. 9 is a bottom plan view of the convertible work light of FIG. 8.

FIG. 10 is a close-up view of the stand portion of the convertible work light of FIG. 8, with one leg removed to show detail of the stand portion. The stand portion of the convertible work light repeats its patterning and design as it is rotated 120°.

FIG. 11 is a front elevation of the head portion of the convertible work light of FIG. 8, the rear elevation being a mirror image thereof; and,

FIG. 12 is a left elevation of the head portion of FIG. 11, the right elevation being a mirror image thereof.

**1 Claim, 5 Drawing Sheets**



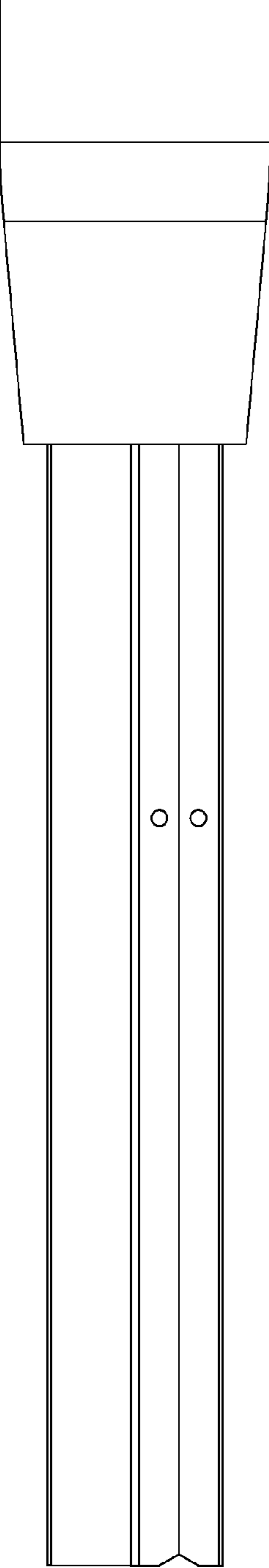


FIG. 1

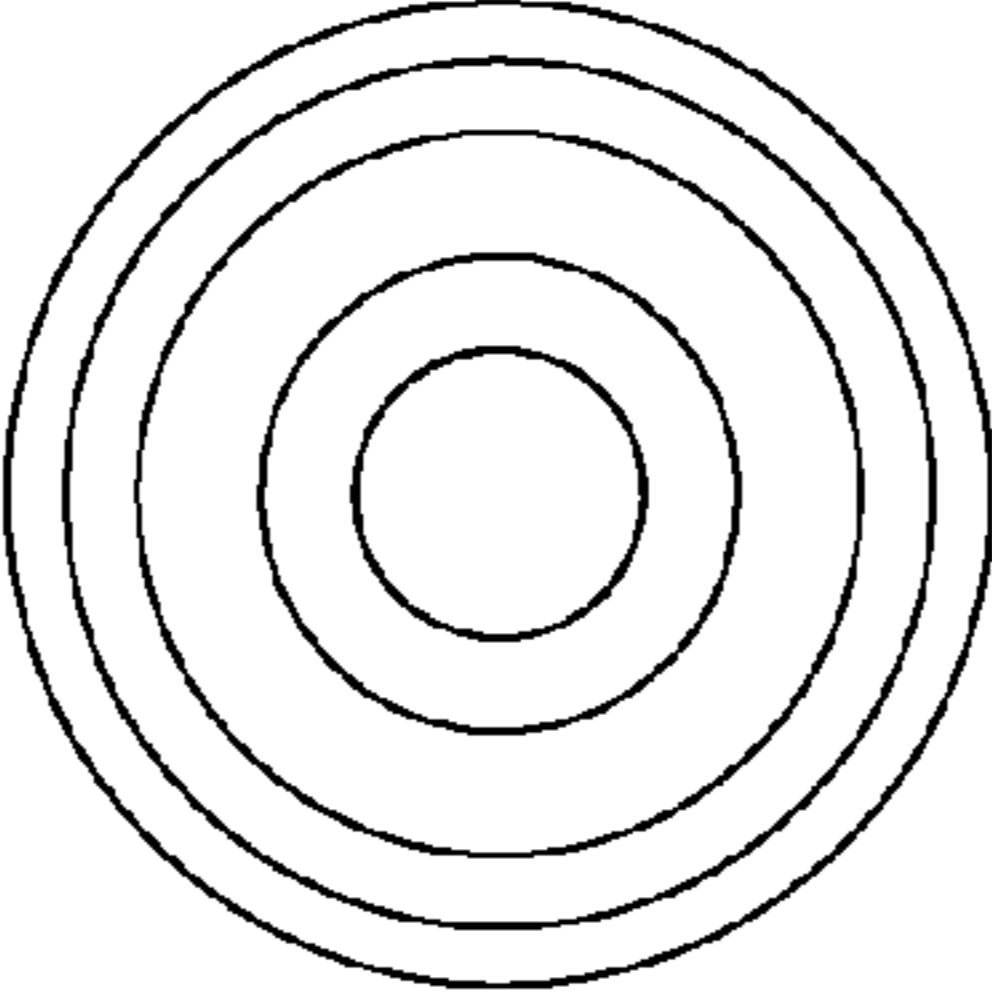


FIG. 3

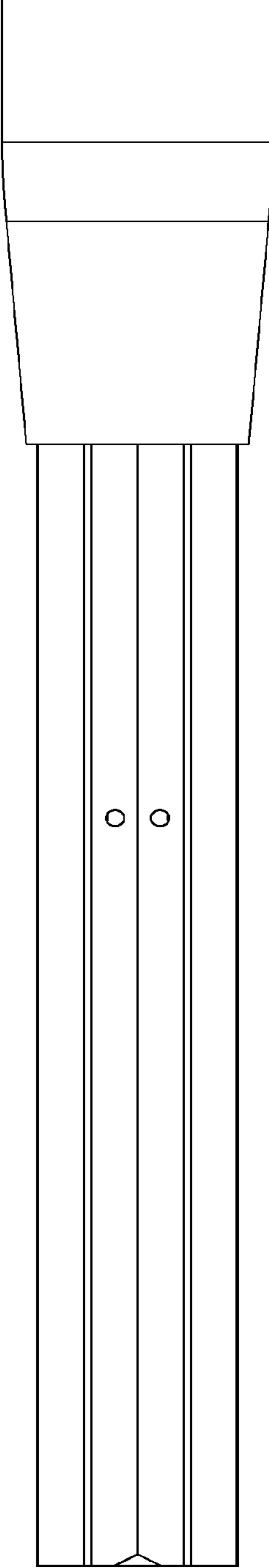


FIG. 2

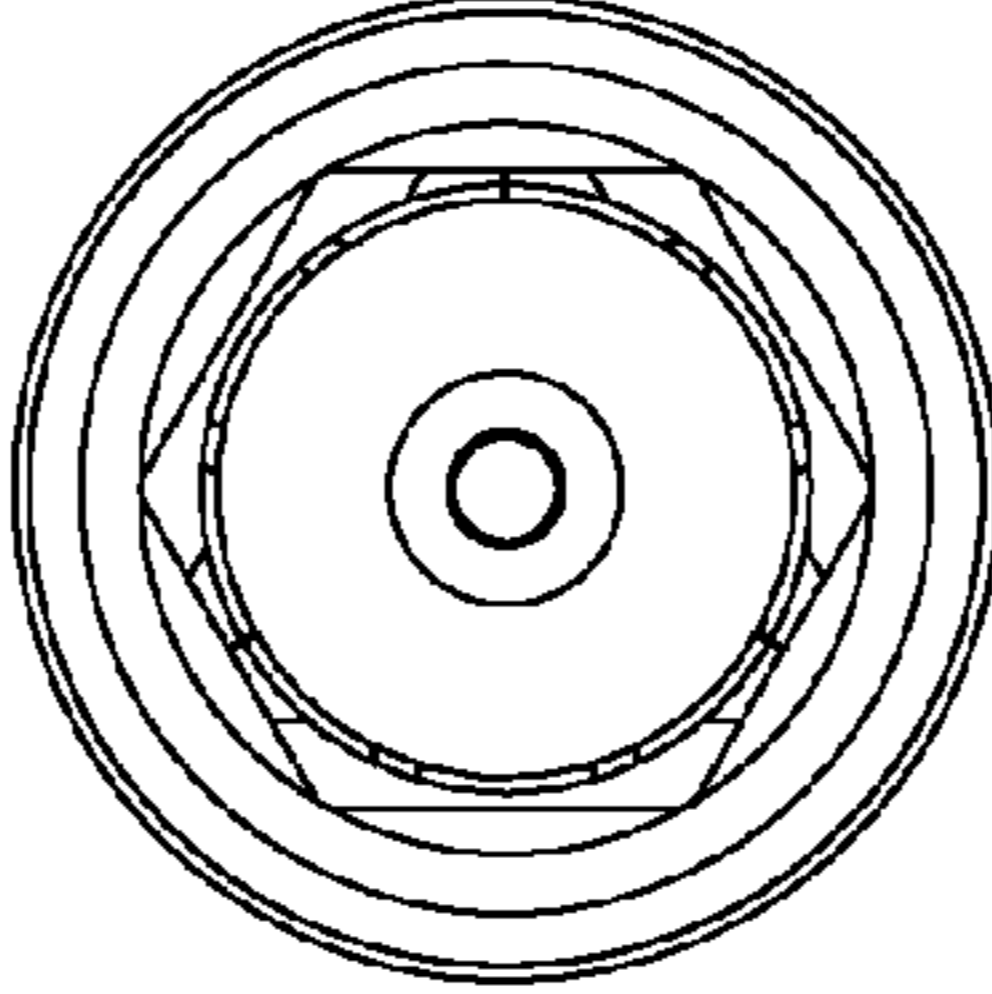


FIG. 4

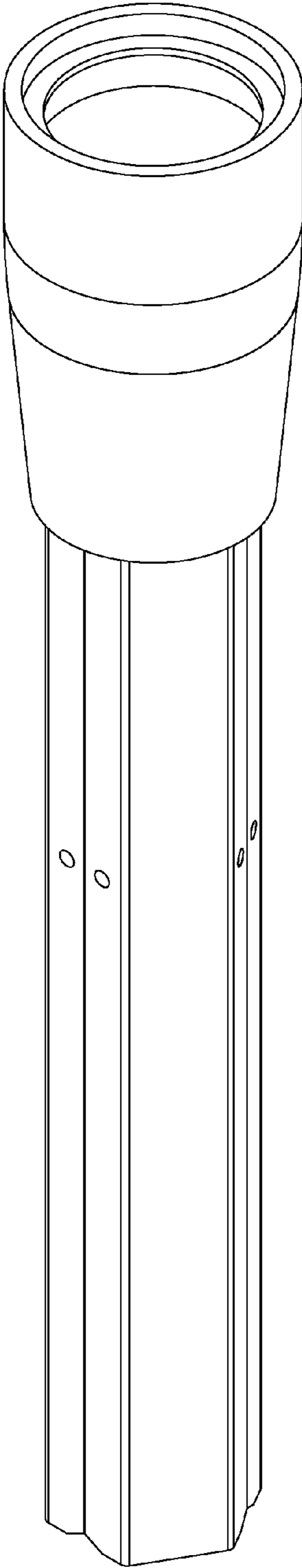


FIG. 5

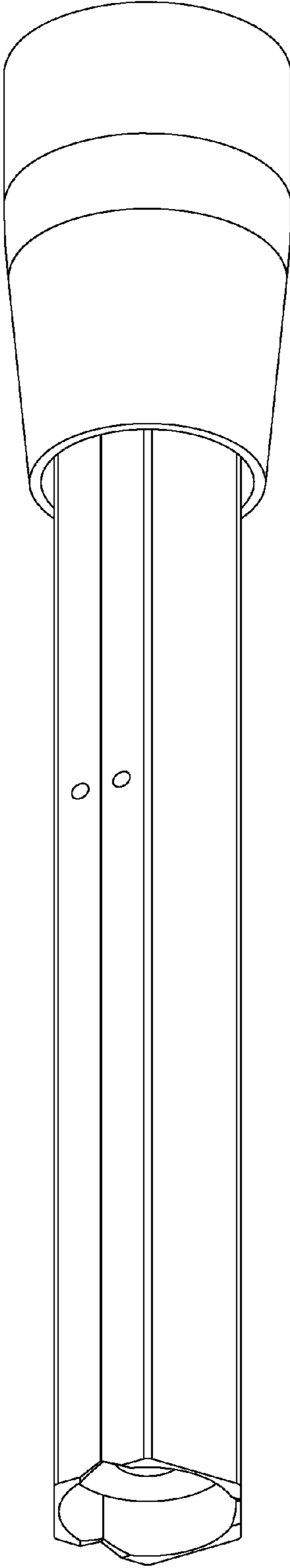


FIG. 6

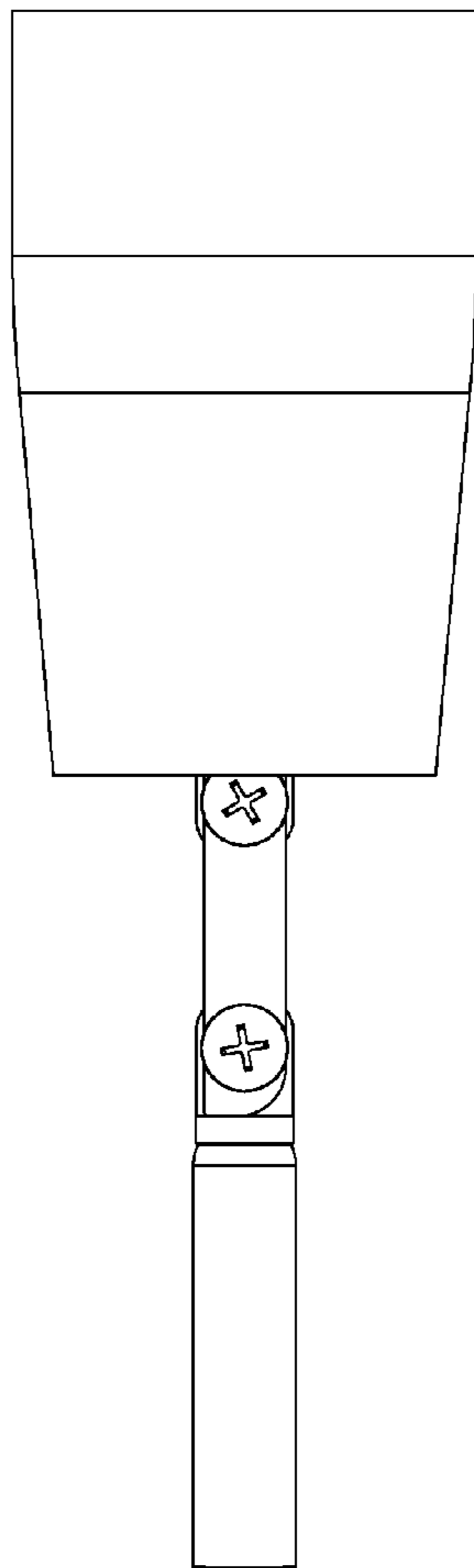
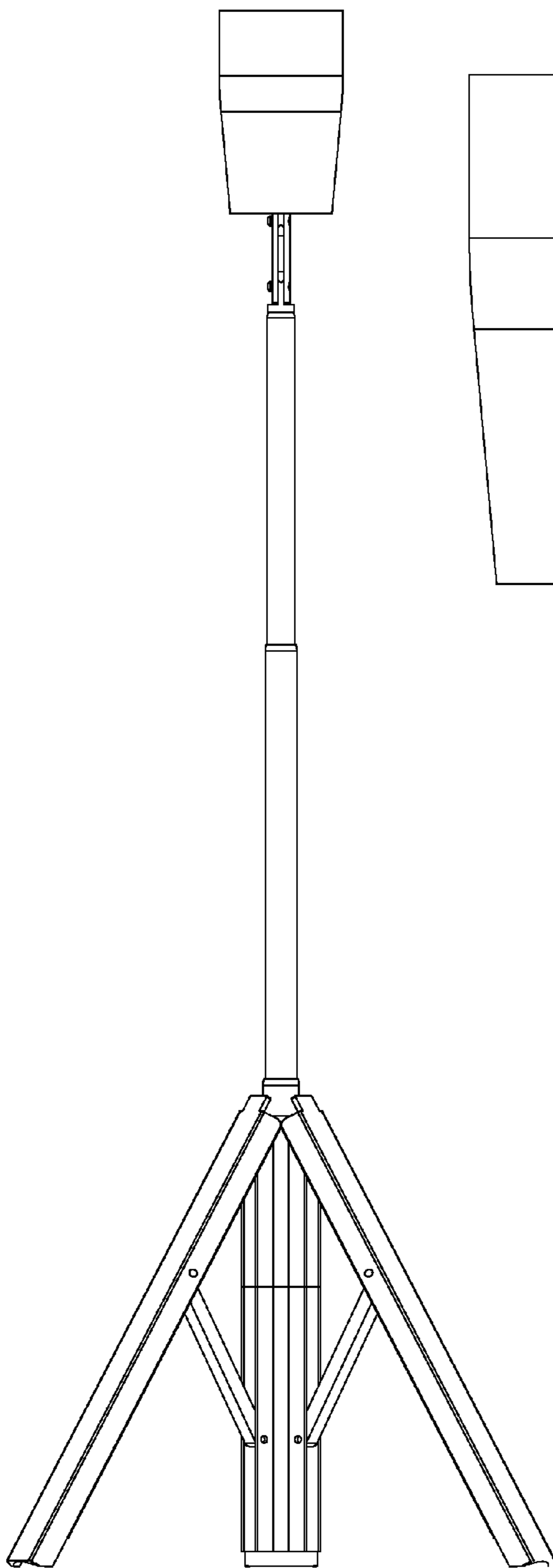


FIG. 11

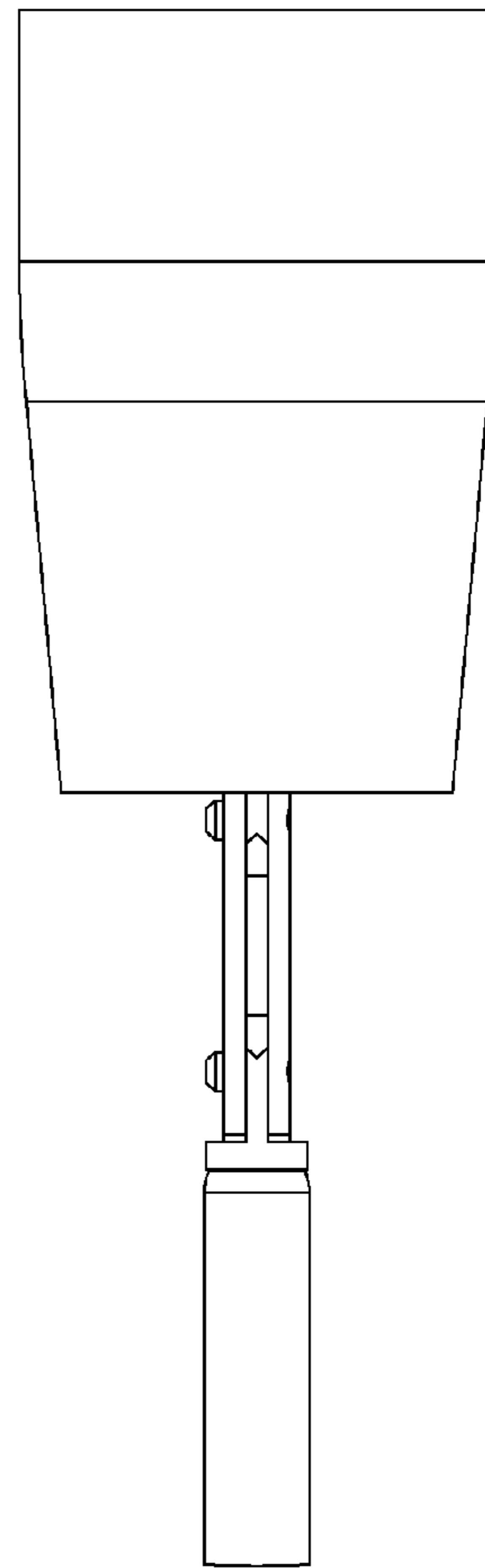


FIG. 12

FIG. 7

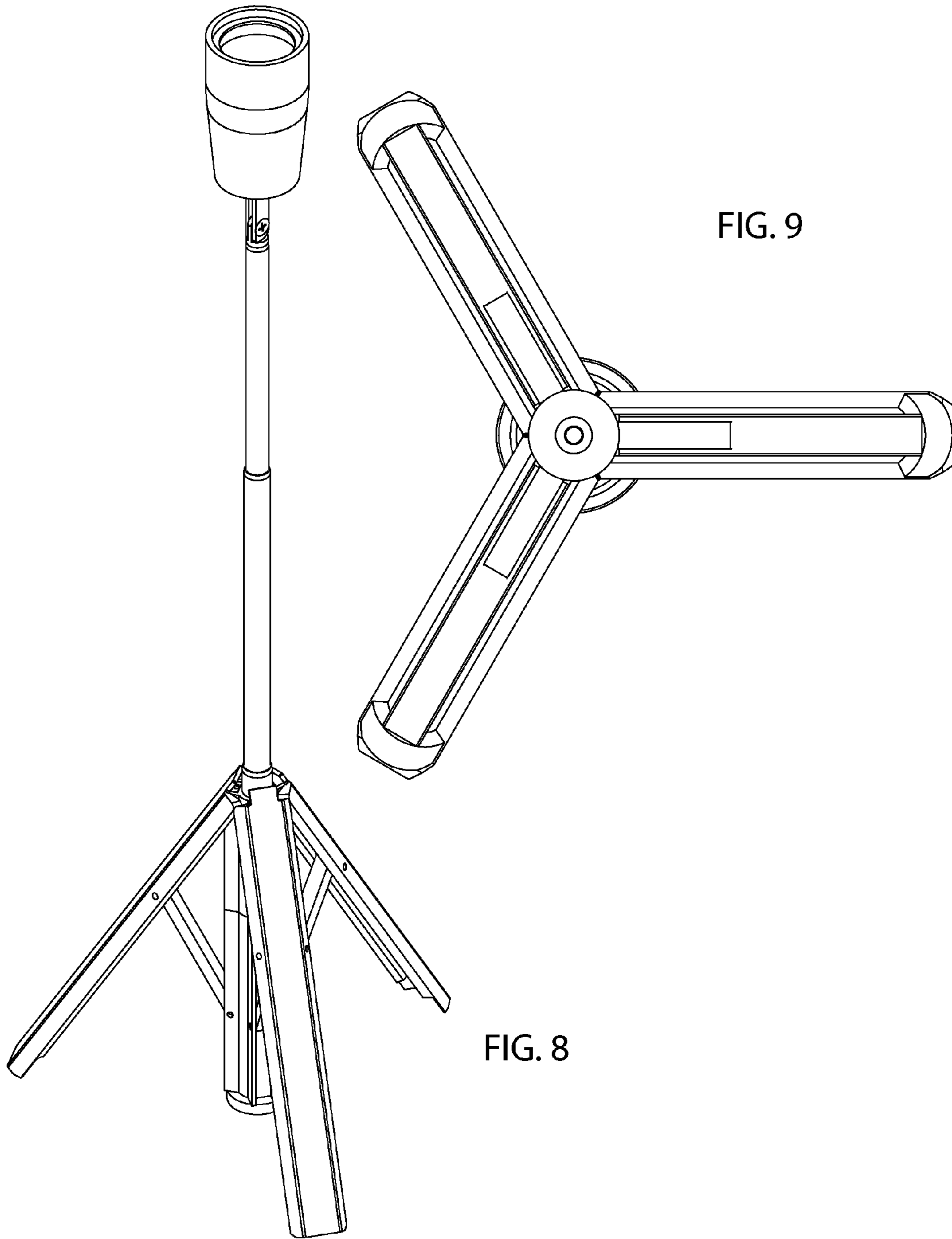


FIG. 9

FIG. 8

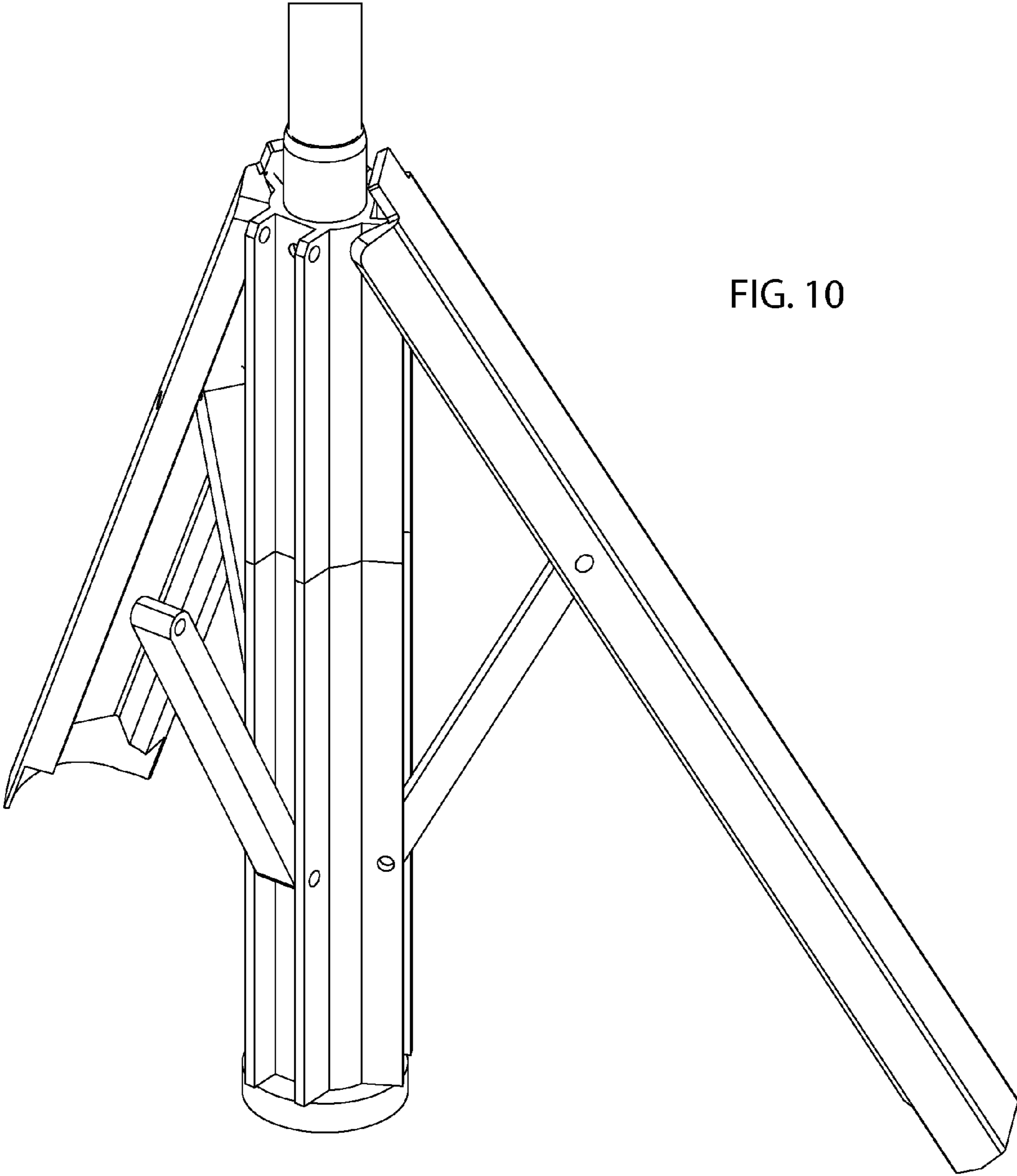


FIG. 10