



US00D623784S

(12) **United States Design Patent**
Yamamoto

(10) **Patent No.:** **US D623,784 S**
(45) **Date of Patent:** **** Sep. 14, 2010**

(54) **PORTABLE FLUORESCENT LIGHT**

D599,924 S * 9/2009 Schoch D26/44

(75) Inventor: **Yuji Yamamoto**, Anjo (JP)

FOREIGN PATENT DOCUMENTS

(73) Assignee: **Makita Corporation**, Anjo-shi (JP)

JP D-1351562 2/2009

(**) Term: **14 Years**

* cited by examiner

(21) Appl. No.: **29/354,250**

Primary Examiner—Charles A Rademaker

Assistant Examiner—Carissa C Fitts

(22) Filed: **Jan. 21, 2010**

(74) *Attorney, Agent, or Firm*—Oliff & Berridge, PLC

(30) **Foreign Application Priority Data**

(57) **CLAIM**

Jul. 22, 2009 (JP) 2009-16620

The ornamental design for a portable fluorescent light, as shown and described.

(51) **LOC (9) Cl.** **26-02**

DESCRIPTION

(52) **U.S. Cl.** **D26/45; D26/48**

FIG. 1 is a perspective view of a portable fluorescent light showing our new design;

(58) **Field of Classification Search** D26/37,

D26/41–48; 362/157, 158, 183, 184, 190,
362/191, 194, 196–199, 201, 260

FIG. 2 is a front elevation view thereof;

FIG. 3 is a rear elevation view thereof;

See application file for complete search history.

FIG. 4 is a left side elevation view thereof;

FIG. 5 is a right side elevation view thereof;

(56) **References Cited**

U.S. PATENT DOCUMENTS

D370,734 S * 6/1996 Lynch et al. D26/44

D449,899 S * 10/2001 Hayakawa et al. D26/48

D487,162 S * 2/2004 Lap Hon D26/37

D506,847 S * 6/2005 Hussaini et al. D26/46

D529,926 S * 10/2006 Krieger et al. D15/9

D545,470 S * 6/2007 Devany et al. D26/46

D553,771 S * 10/2007 Watson et al. D26/37

D556,353 S * 11/2007 Gebhard et al. D26/48

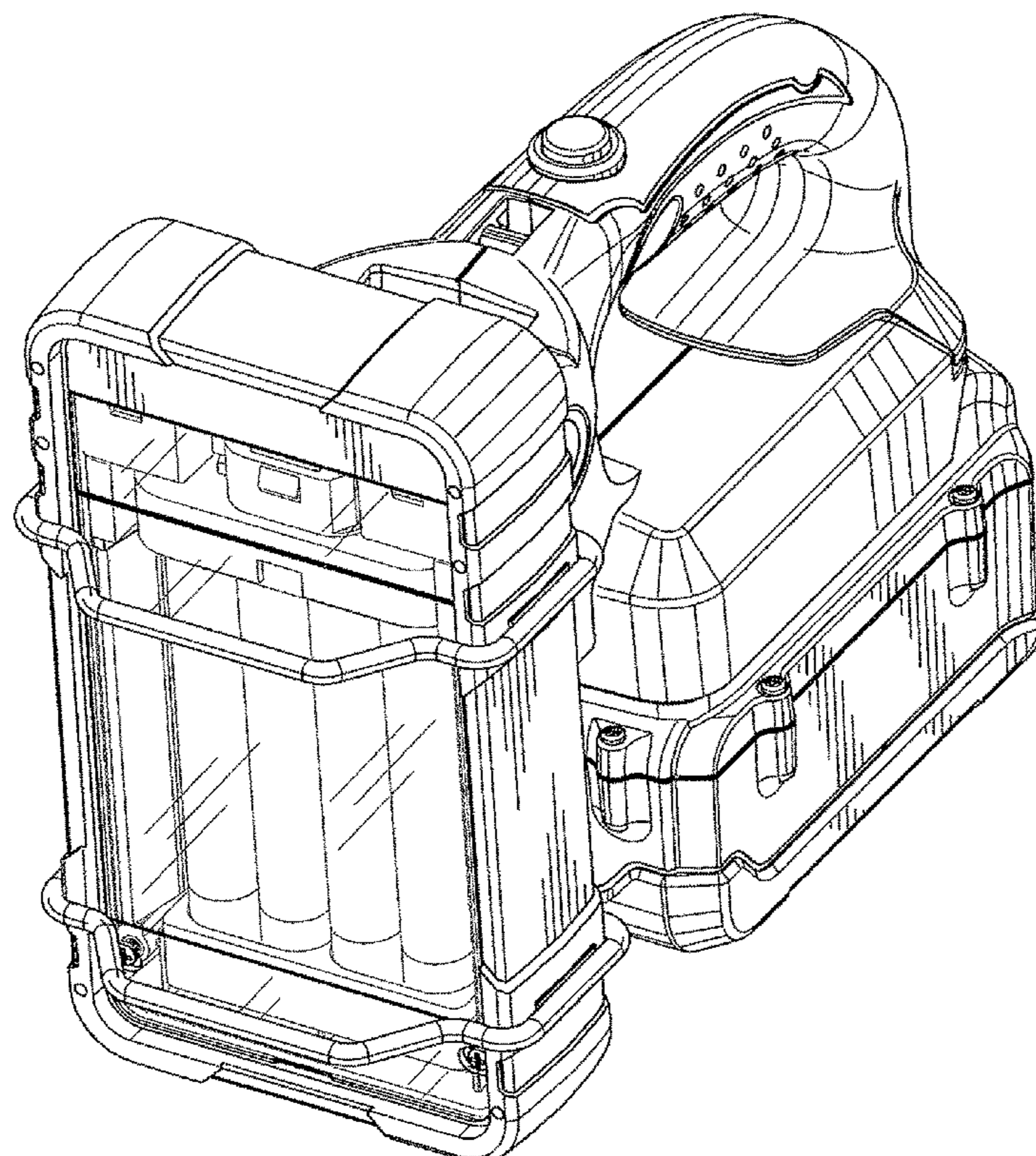
FIG. 6 is a top plan view thereof;

FIG. 7 is a bottom plan view thereof; and,

FIG. 8 is a perspective view showing the state where a light transmissive portion has been pivoted.

The shading on the cover on the front side of the fluorescent tubes in FIGS. 1, 4 and 8 illustrates transparency.

1 Claim, 7 Drawing Sheets



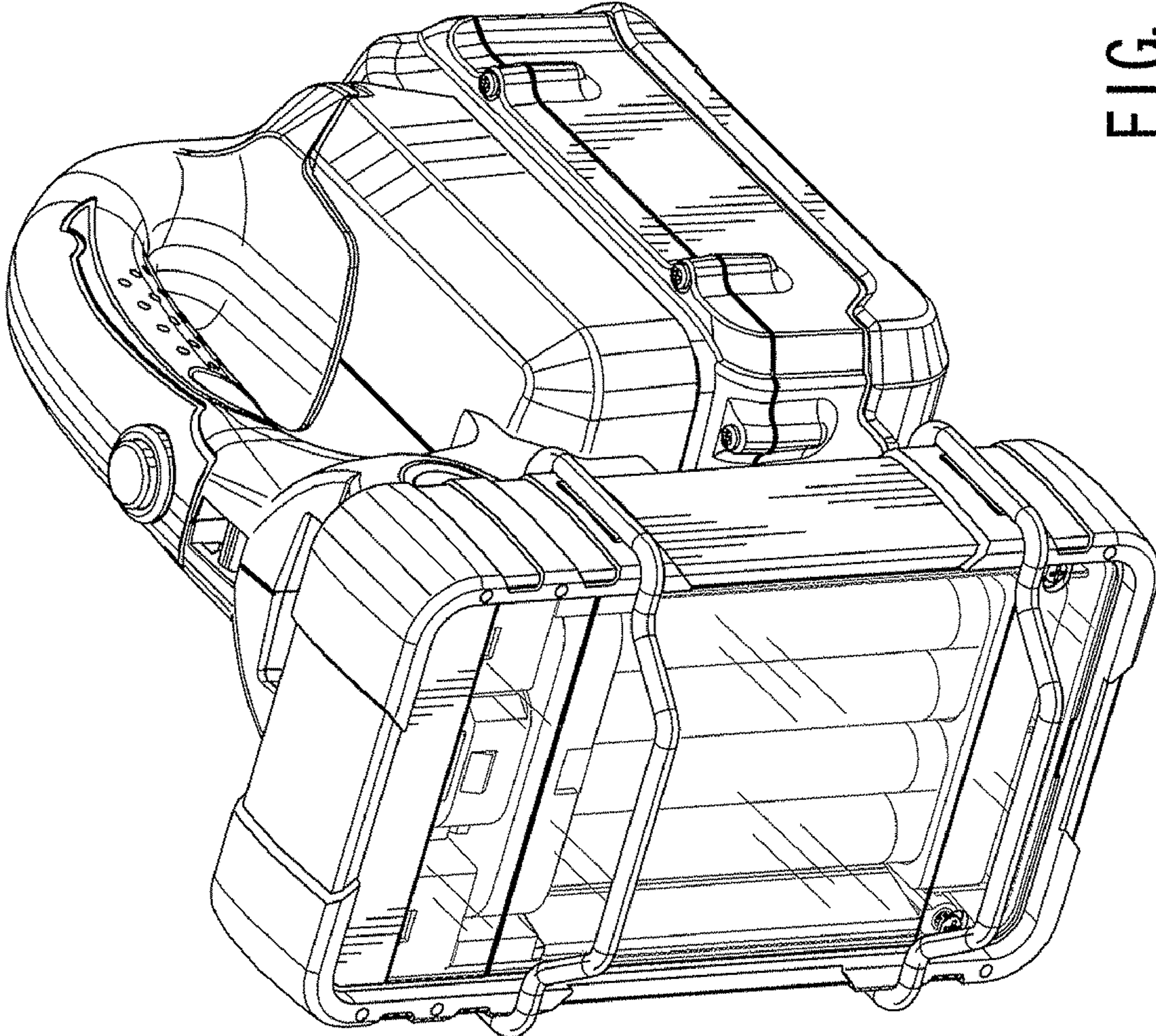


FIG. 1

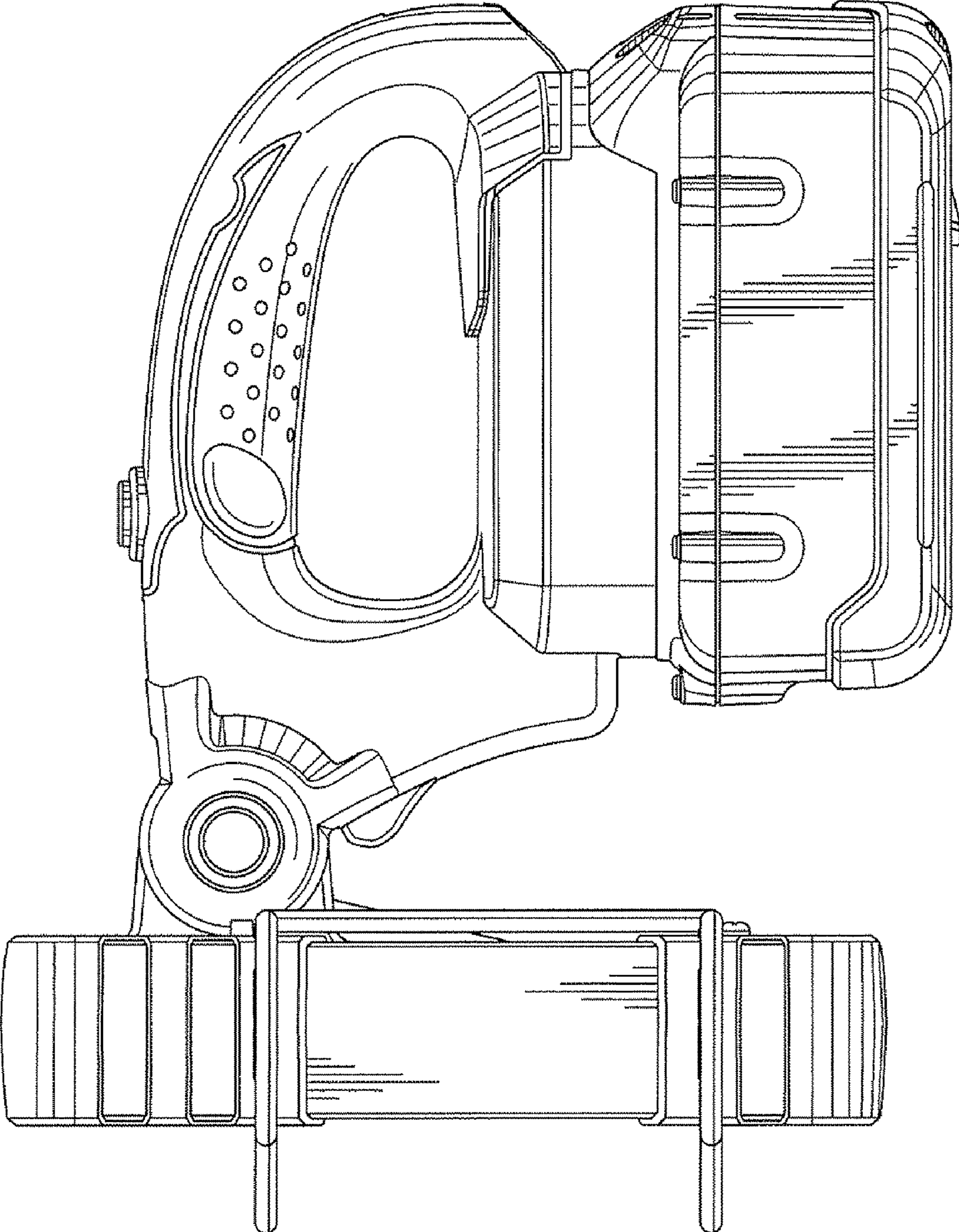


FIG. 2

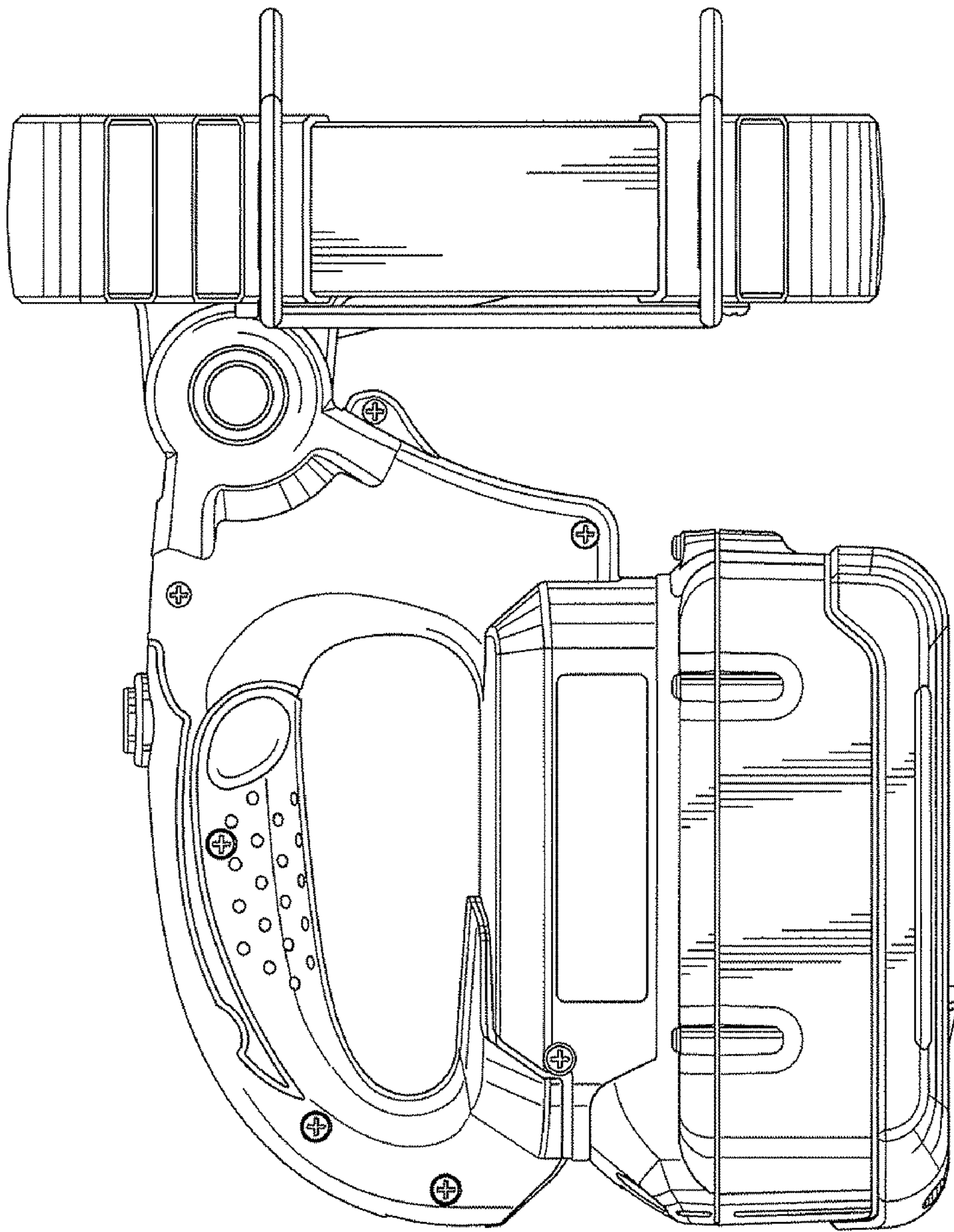


FIG. 3

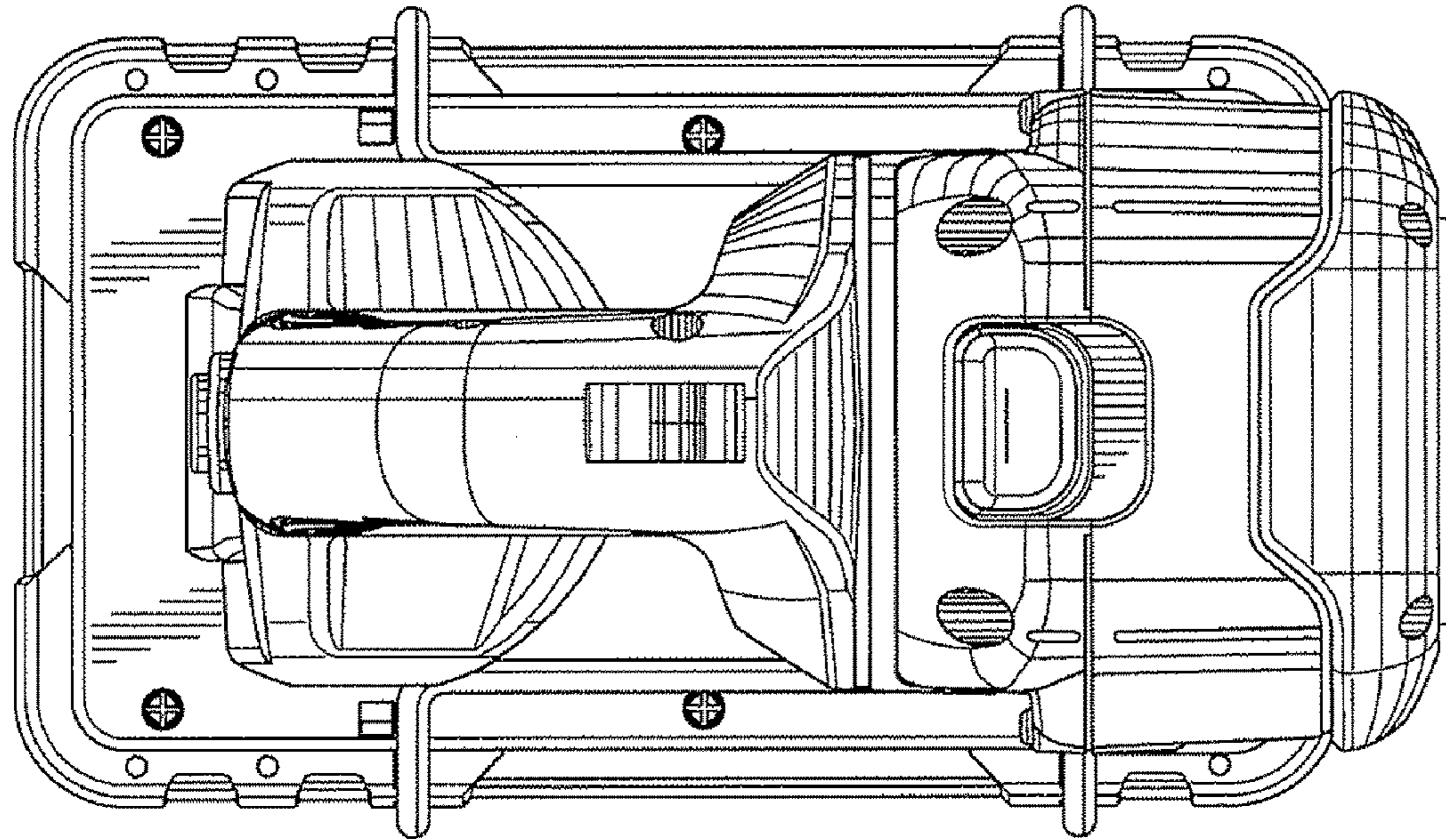


FIG. 5

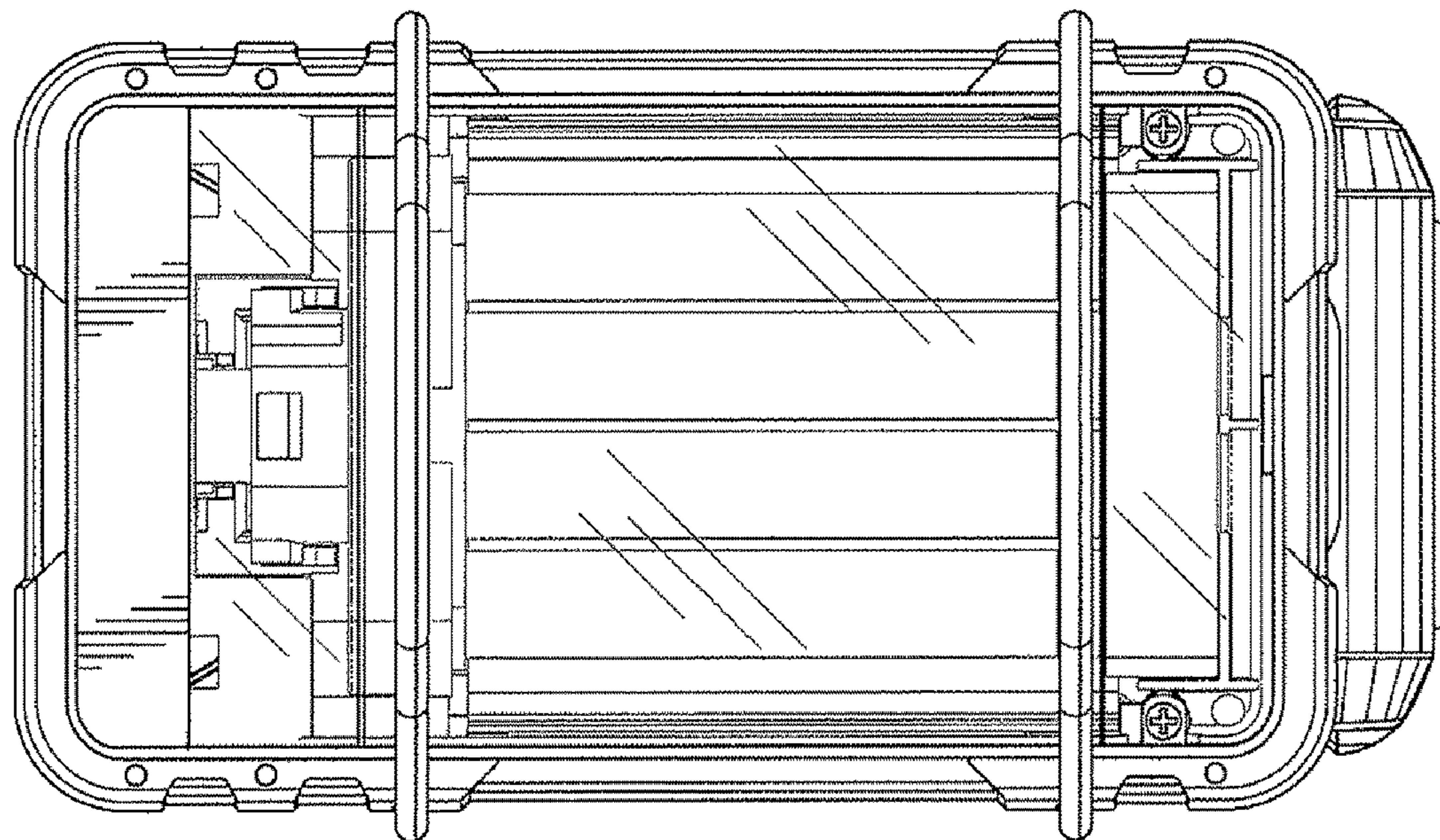


FIG. 4

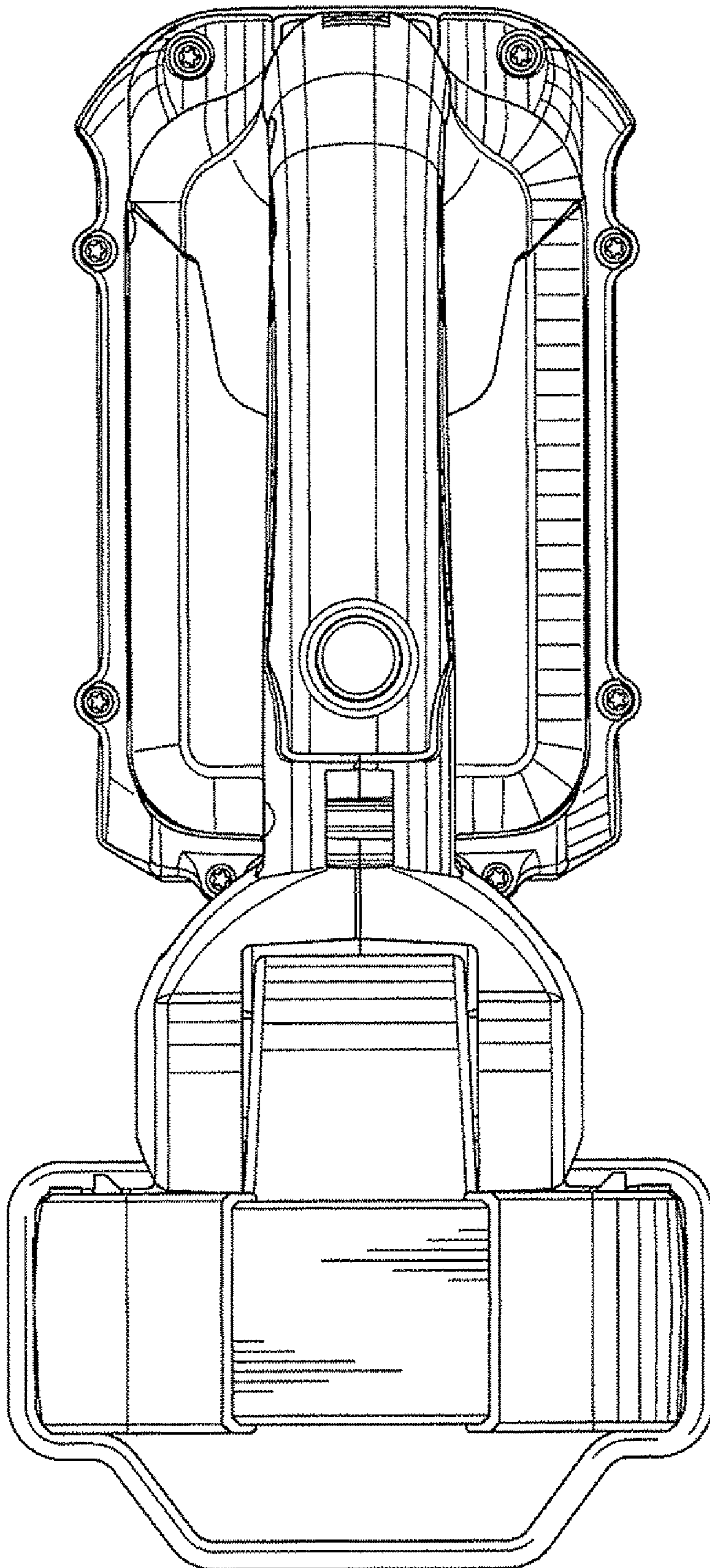


FIG. 6

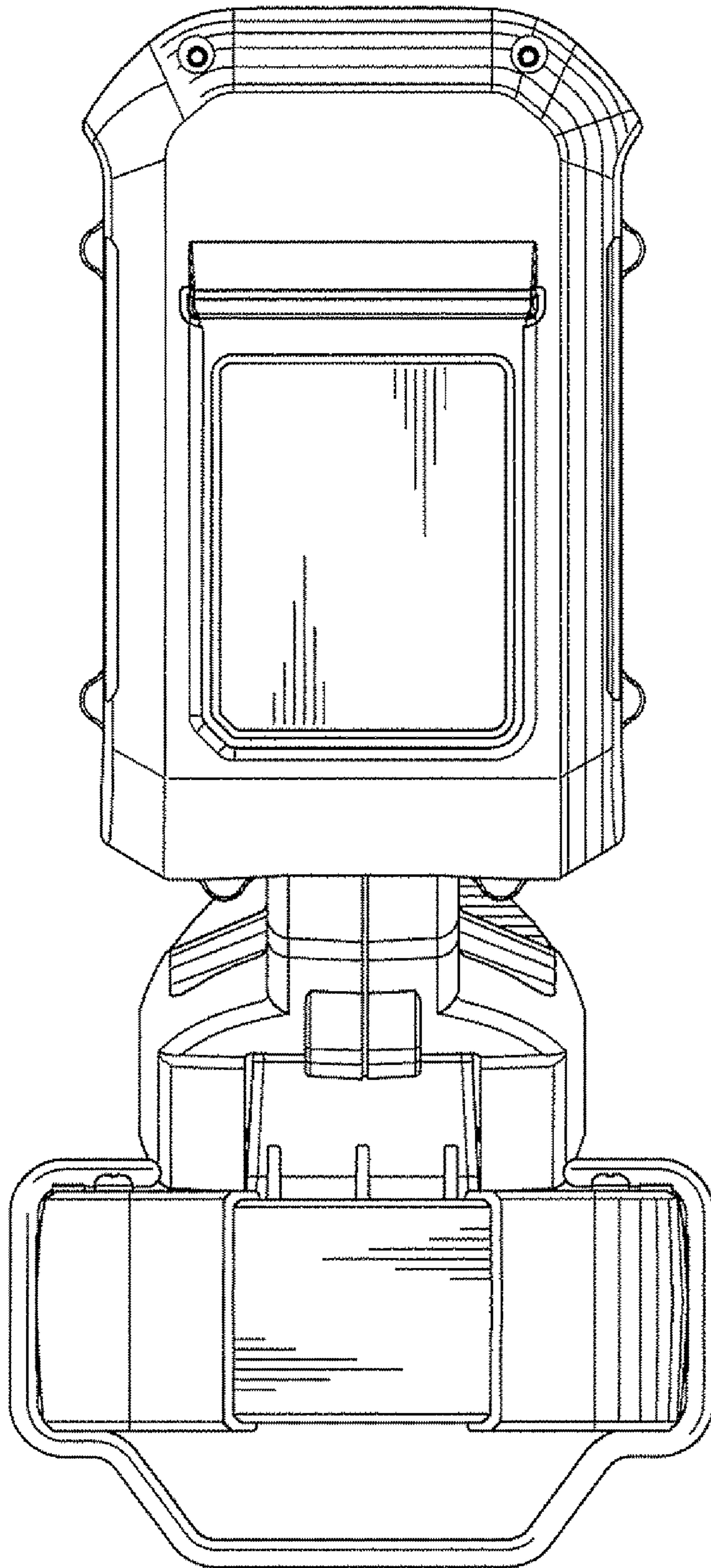


FIG. 7

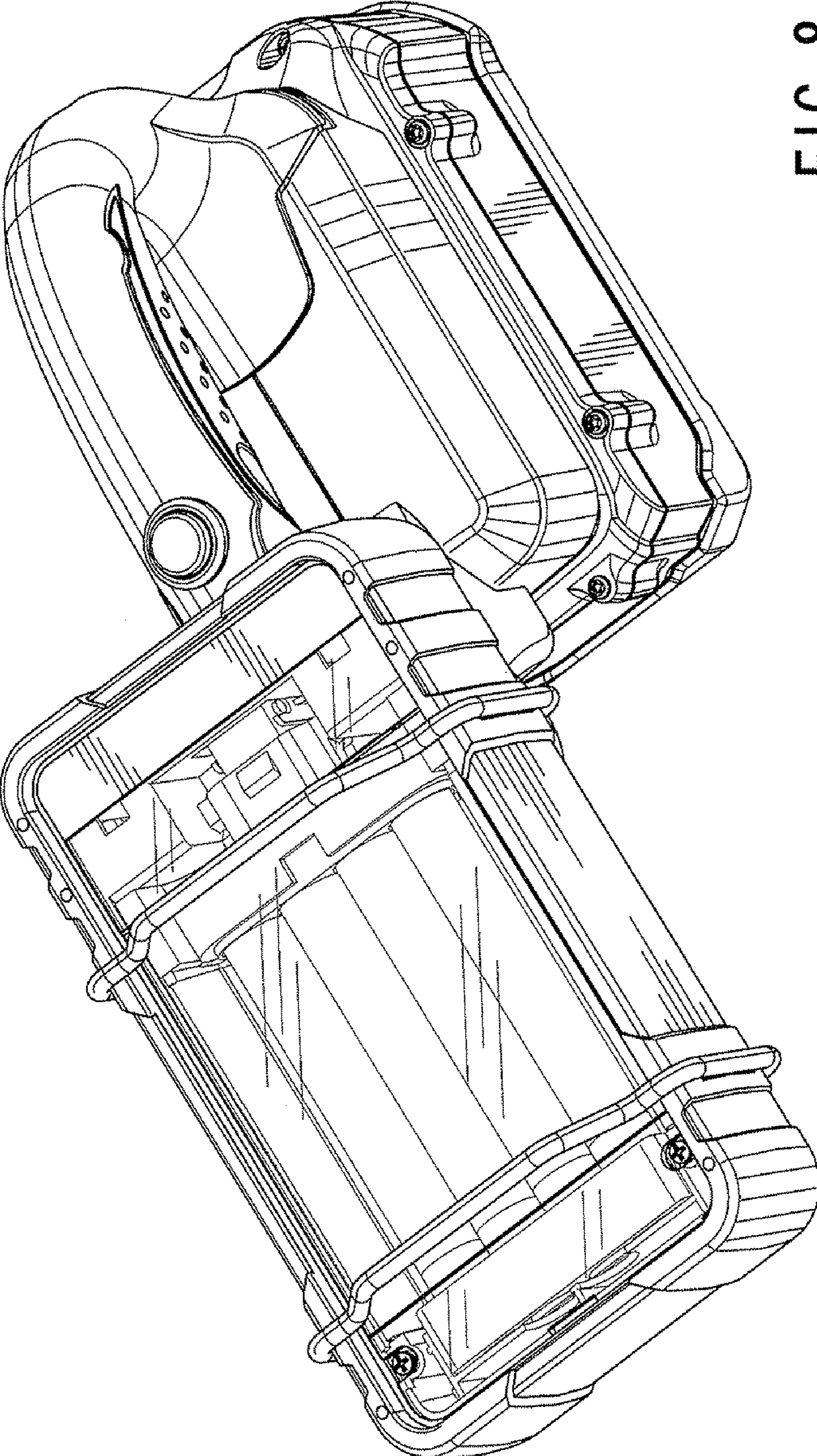


FIG. 8