



US00D623783S

(12) **United States Design Patent**
Christianson et al.

(10) **Patent No.:** **US D623,783 S**
(45) **Date of Patent:** **** Sep. 14, 2010**

(54) **WEARABLE AND POSITIONABLE DUAL LAMP ASSEMBLY**

(75) Inventors: **Thomas R. Christianson**, Napa, CA (US); **Douglas D. Hansel**, Napa, CA (US)

(73) Assignee: **ShowerTek, Inc.**, Napa, CA (US)

(**) Term: **14 Years**

(21) Appl. No.: **29/354,763**

(22) Filed: **Jan. 28, 2010**

(51) **LOC (9) Cl.** **26-02**

(52) **U.S. Cl.** **D26/39**

(58) **Field of Classification Search** D26/37, D26/38, 39, 46; D11/2; 362/103, 104, 105, 362/106, 108, 157, 158, 174, 183, 184, 190, 362/191, 200–208, 253

See application file for complete search history.

(56) **References Cited**

U.S. PATENT DOCUMENTS

7,175,295 B2 * 2/2007 Bretz et al. 362/108

D556,078 S * 11/2007 Schrimmer et al. D11/3
D571,942 S * 6/2008 Christianson D26/39
D576,908 S * 9/2008 Gruenke D11/3
D583,971 S * 12/2008 Castellucci et al. D26/39
D590,530 S * 4/2009 Tsai D26/51
D597,691 S * 8/2009 Fuentes D26/39
2010/0128468 A1 * 5/2010 Ong et al. 362/106

* cited by examiner

Primary Examiner—Charles A Rademaker

Assistant Examiner—Carissa C Fitts

(74) *Attorney, Agent, or Firm*—David Pressman

(57) **CLAIM**

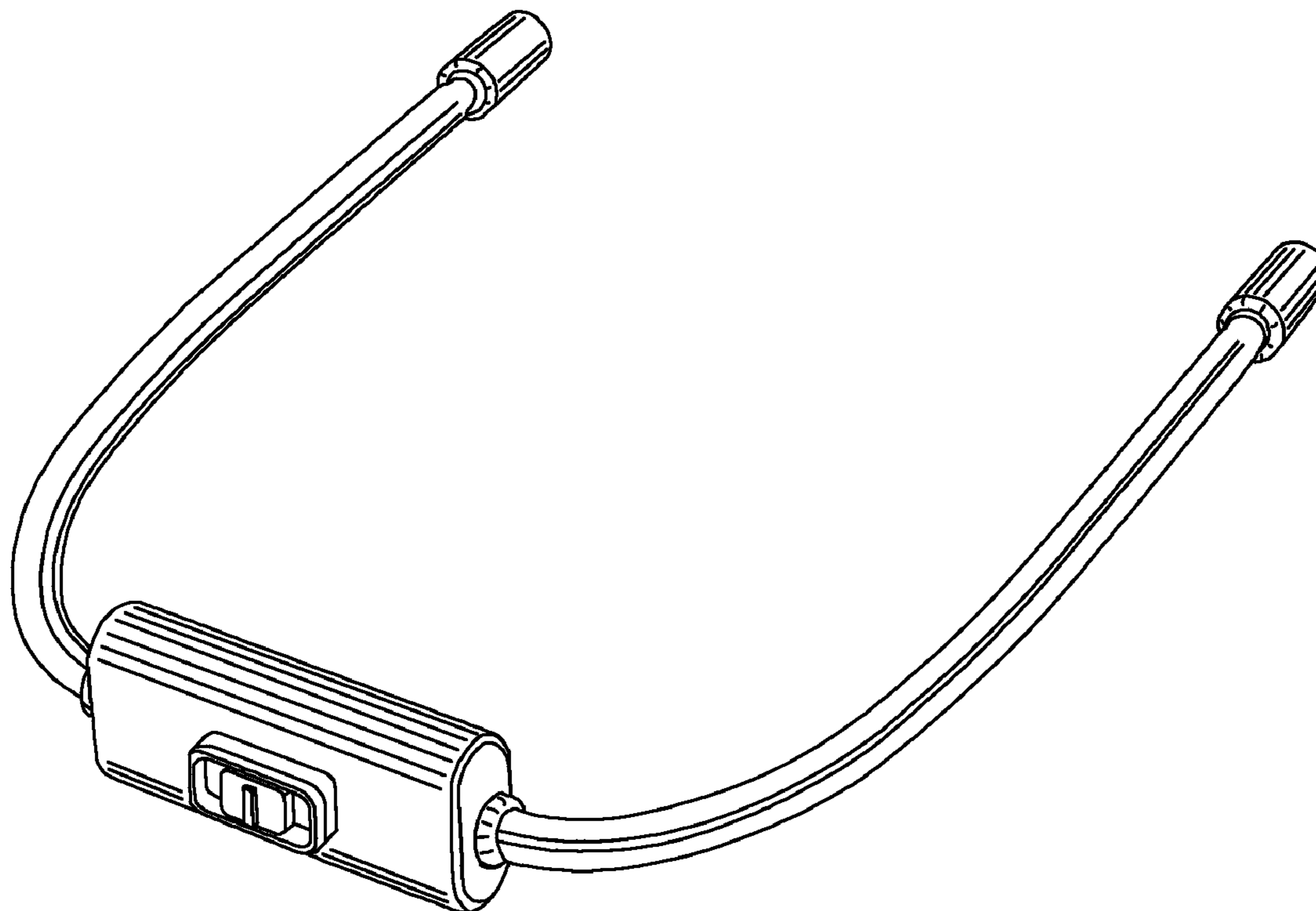
The ornamental design for a wearable and positionable dual lamp assembly, as shown.

DESCRIPTION

FIG. 1 is a perspective view taken from the front and above of a wearable and positionable dual lamp assembly; and,

FIG. 2 is a perspective view taken from the rear and above of the wearable and positionable dual lamp assembly.

1 Claim, 1 Drawing Sheet



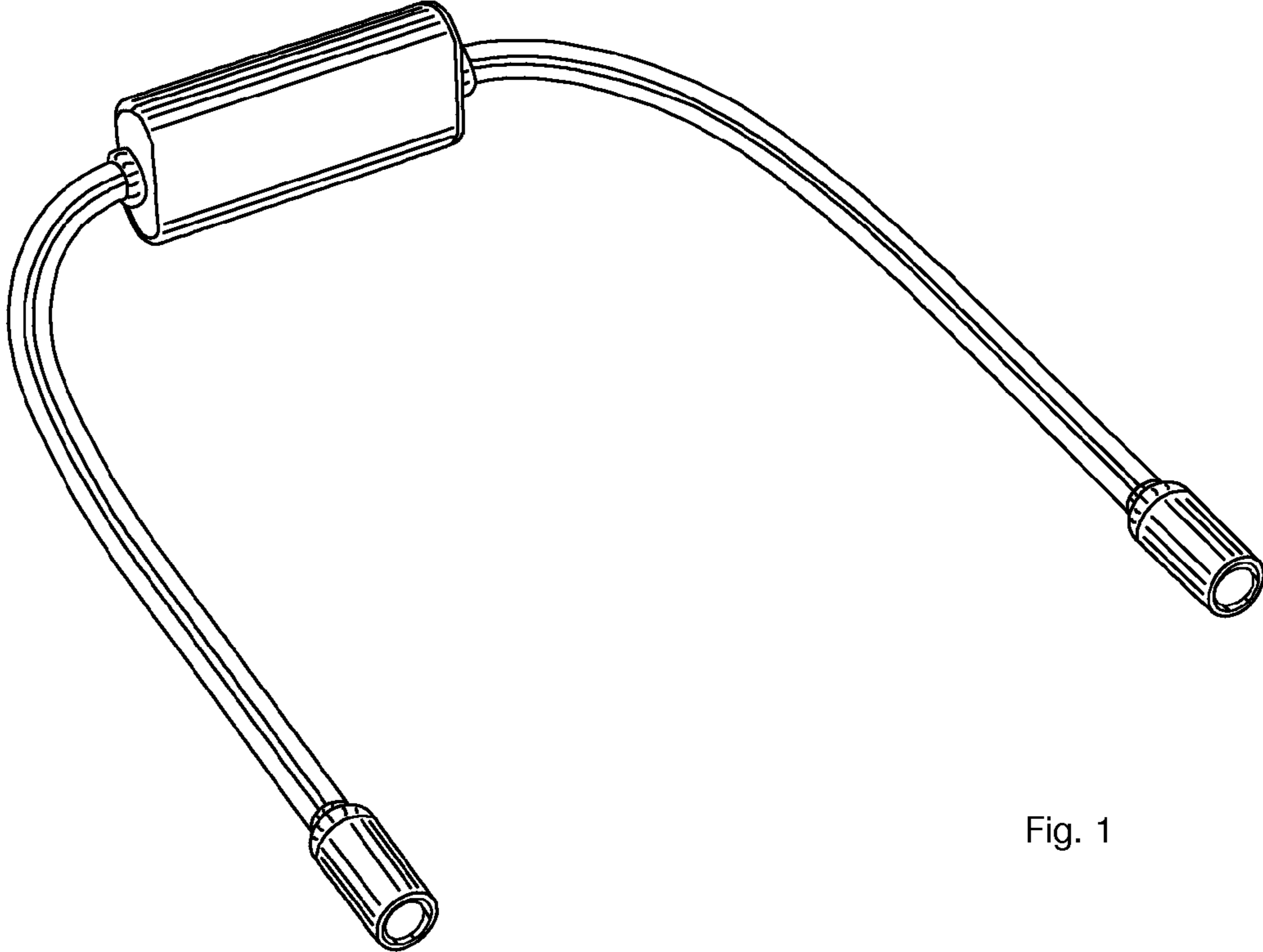


Fig. 1

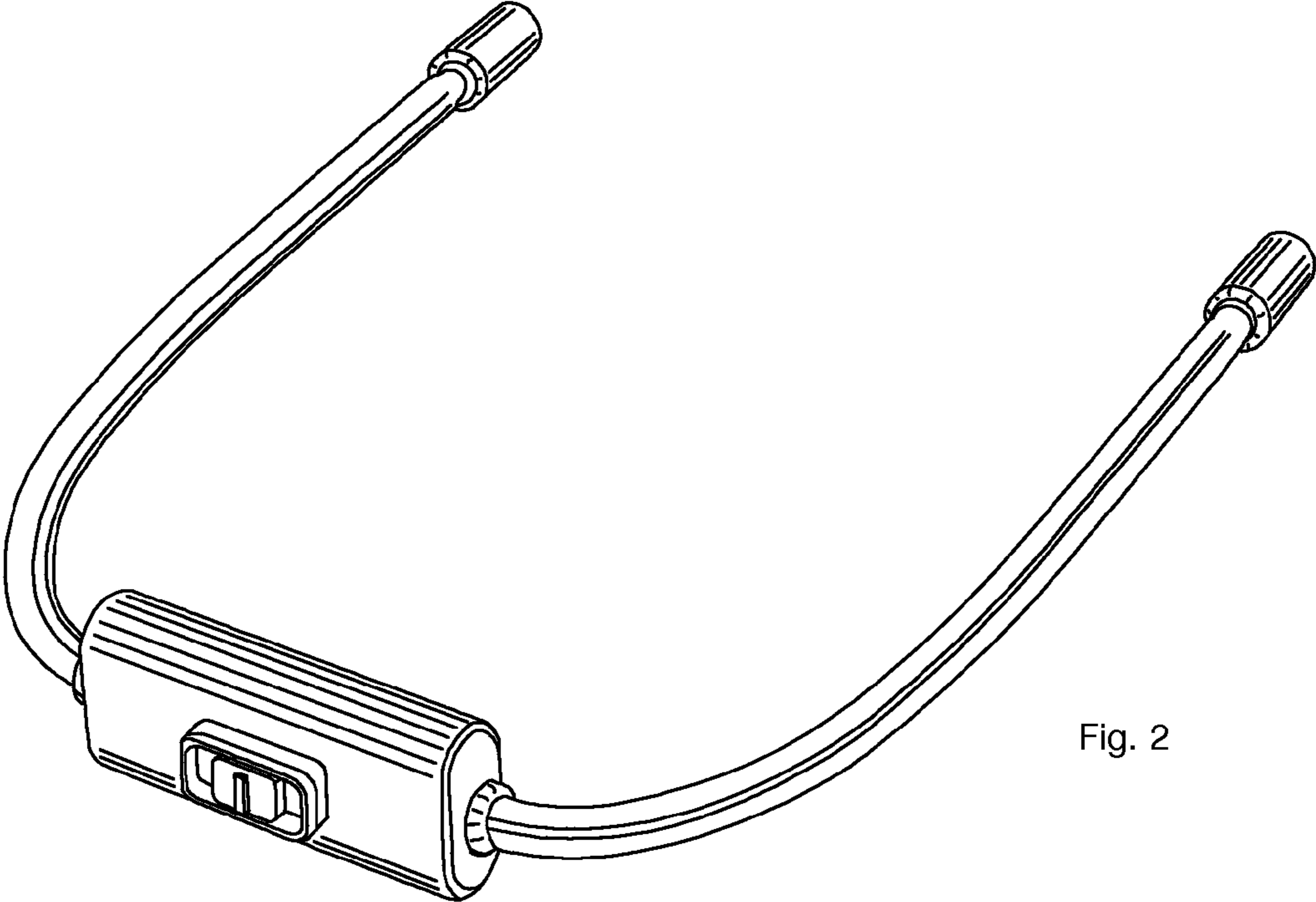


Fig. 2