



US00D623781S

(12) **United States Design Patent**
Uemoto et al.

(10) **Patent No.:** **US D623,781 S**
(45) **Date of Patent:** **** *Sep. 14, 2010**

(54) **LIGHTING APPARATUS**

(75) Inventors: **Takaari Uemoto**, Kadoma (JP); **Keiji Nishimoto**, Kadoma (JP); **Yasuharu Ueno**, Kadoma (JP); **Satoshi Shida**, Kadoma (JP); **Yuji Omata**, Kadoma (JP)

(73) Assignee: **Panasonic Corporation**, Osaka (JP)

(*) Notice: This patent is subject to a terminal disclaimer.

(**) Term: **14 Years**

(21) Appl. No.: **29/342,801**

(22) Filed: **Sep. 1, 2009**

Related U.S. Application Data

(62) Division of application No. 29/270,341, filed on Dec. 19, 2006.

(30) **Foreign Application Priority Data**

Jun. 20, 2006 (JP) 2006-15918
Jun. 20, 2006 (JP) 2006-15919
Jun. 20, 2006 (JP) 2006-15920

(51) **LOC (9) Cl.** **26-04**

(52) **U.S. Cl.** **D26/24; D26/1**

(58) **Field of Classification Search** D26/24,
D26/1, 2, 3, 113, 120; D13/180, 182; 362/612,
362/555, 257, 800; 313/500; 257/82, 83,
257/433

See application file for complete search history.

(56) **References Cited**

U.S. PATENT DOCUMENTS

6,664,563 B2 * 12/2003 Yamada et al. 257/40
D514,530 S * 2/2006 Matsui et al. D13/180
D526,972 S * 8/2006 Egawa et al. D13/180
7,101,061 B2 9/2006 Nagai et al.
D530,288 S * 10/2006 Nagai D13/180
D535,262 S * 1/2007 Saito et al. D13/180

D541,761 S * 5/2007 Saito et al. D13/180
D560,293 S 1/2008 Uemoto et al.
D565,207 S * 3/2008 Uemoto et al. D26/24
D565,208 S 3/2008 Uemoto et al.
D565,753 S 4/2008 Uemoto et al.
D565,754 S 4/2008 Uemoto et al.
D565,756 S 4/2008 Uemoto et al.
D566,303 S * 4/2008 Uemoto et al. D26/24
D568,500 S 5/2008 Uemoto et al.
D571,938 S * 6/2008 Uemoto et al. D26/24
D572,387 S 7/2008 Uemoto et al.

(Continued)

FOREIGN PATENT DOCUMENTS

JP 2003-124528 4/2003

OTHER PUBLICATIONS

Uemoto et al., U.S. Design Application entitled "Lighting Apparatus," U.S. Appl. No. 29/270,316, filed Dec. 19, 2006.

(Continued)

Primary Examiner—Angela J Lee

(74) *Attorney, Agent, or Firm*—Brinks Hofer Gilson & Lione

(57)

CLAIM

We claim the ornamental design for a lighting apparatus, as shown and described.

DESCRIPTION

FIG. 1 is a top perspective view of a lighting apparatus of the present invention;

FIG. 2 is a front view thereof;

FIG. 3 is a rear view thereof;

FIG. 4 is a left side view thereof;

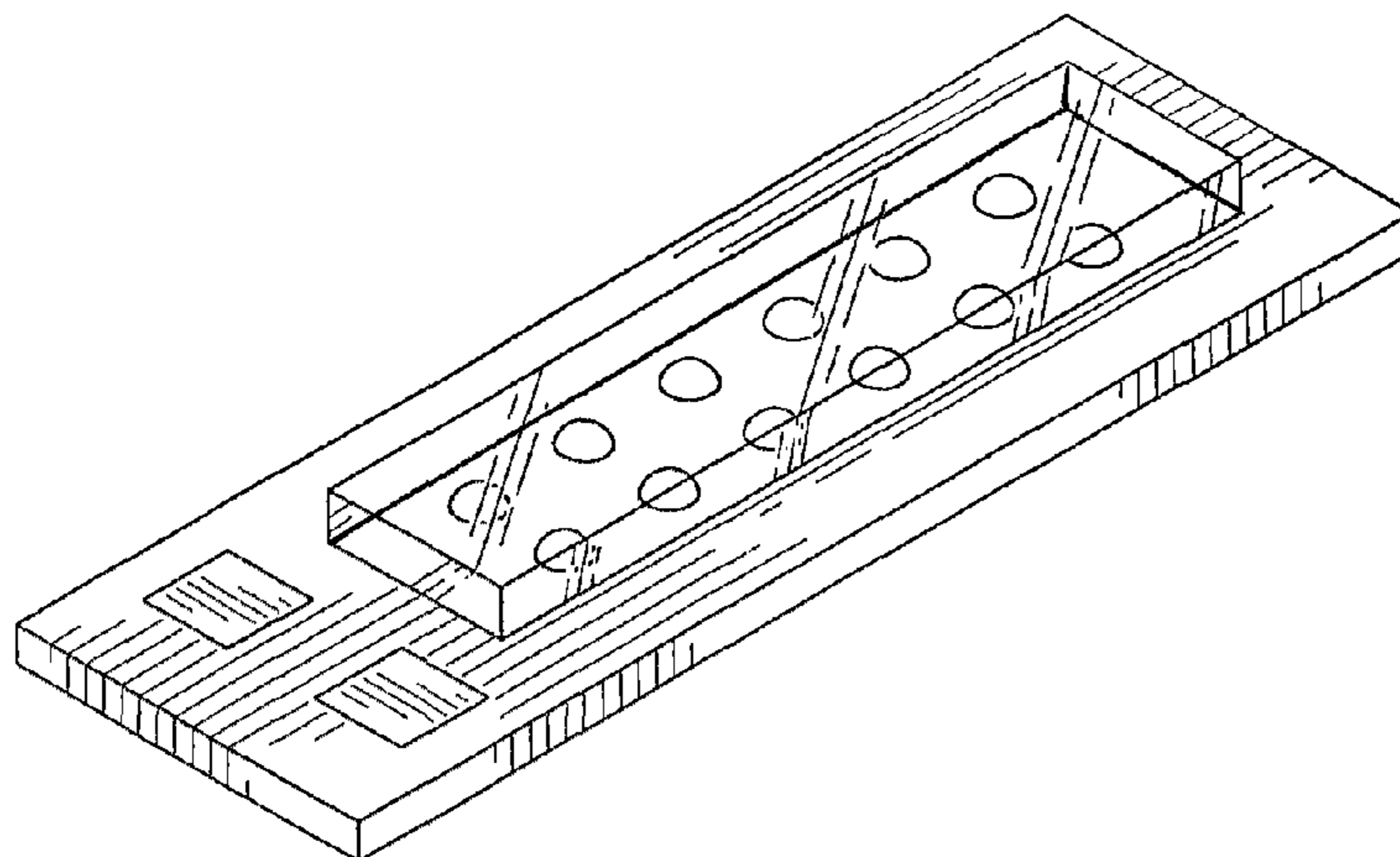
FIG. 5 is a right side view thereof;

FIG. 6 is a top view thereof; and,

FIG. 7 is a bottom view thereof.

A rectangular elevation on a substrate is transparent and thus light comes through. Two squares are electrodes.

1 Claim, 4 Drawing Sheets



US D623,781 S

Page 2

U.S. PATENT DOCUMENTS

D573,553 S 7/2008 Uemoto et al.
D581,885 S * 12/2008 Ogata et al. D13/180
D586,764 S 2/2009 Uemoto et al.
7,621,654 B2 * 11/2009 Nishimoto et al. 362/241
2004/0016932 A1 1/2004 Kondo
2004/0223328 A1 11/2004 Lee et al.
2006/0092637 A1 * 5/2006 Yeh 362/249

2007/0023769 A1 2/2007 Nishimoto et al.
2009/0039376 A1 * 2/2009 Uemoto et al. 257/99

OTHER PUBLICATIONS

Uemoto et al., U.S. Design Application entitled "Lighting Apparatus," U.S. Appl. No. 29/270,326, filed Dec. 19, 2006.

* cited by examiner

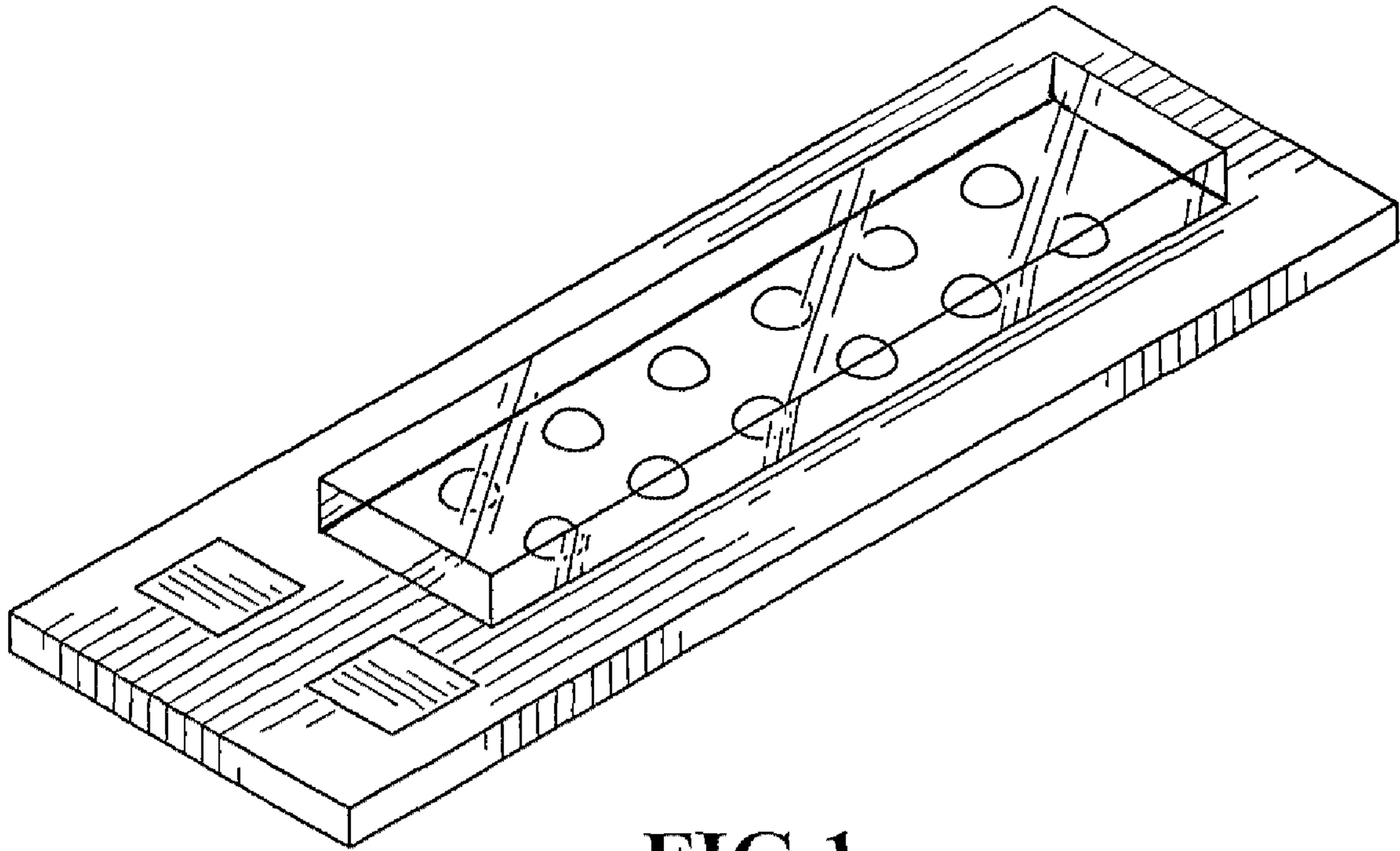


FIG. 1

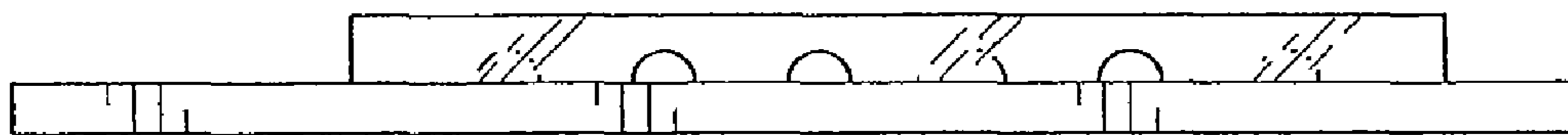


FIG. 2

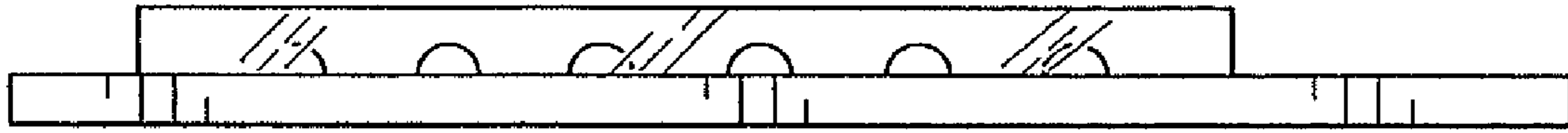


FIG.3

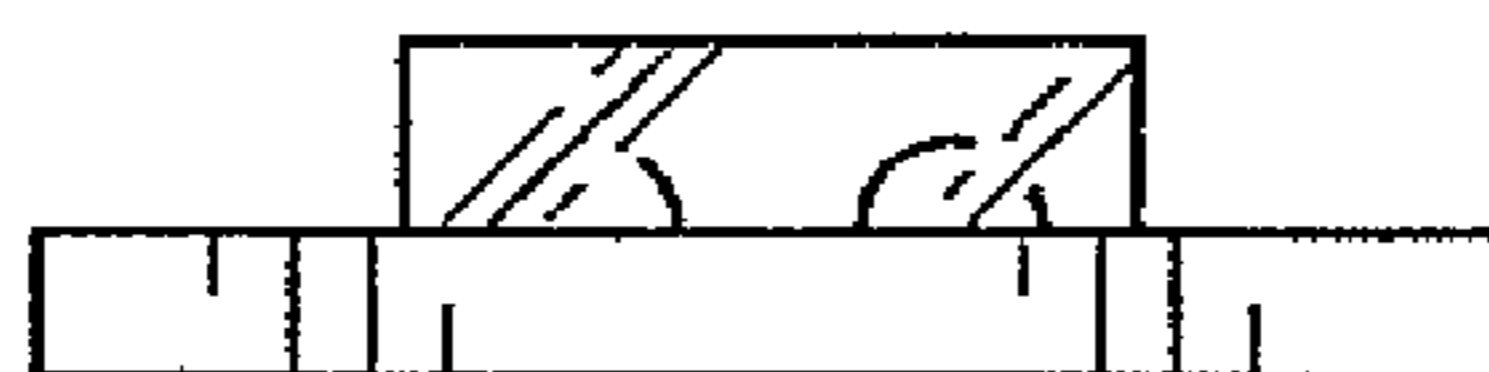


FIG.4

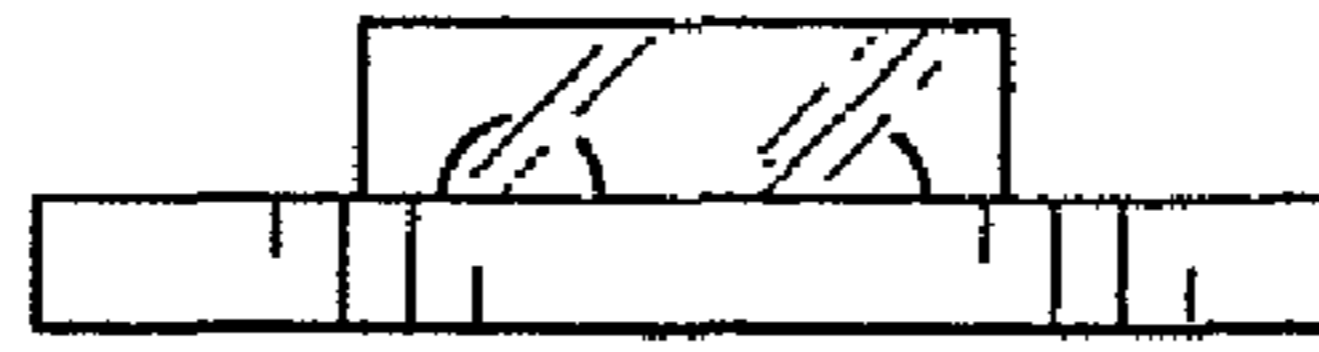


FIG. 5

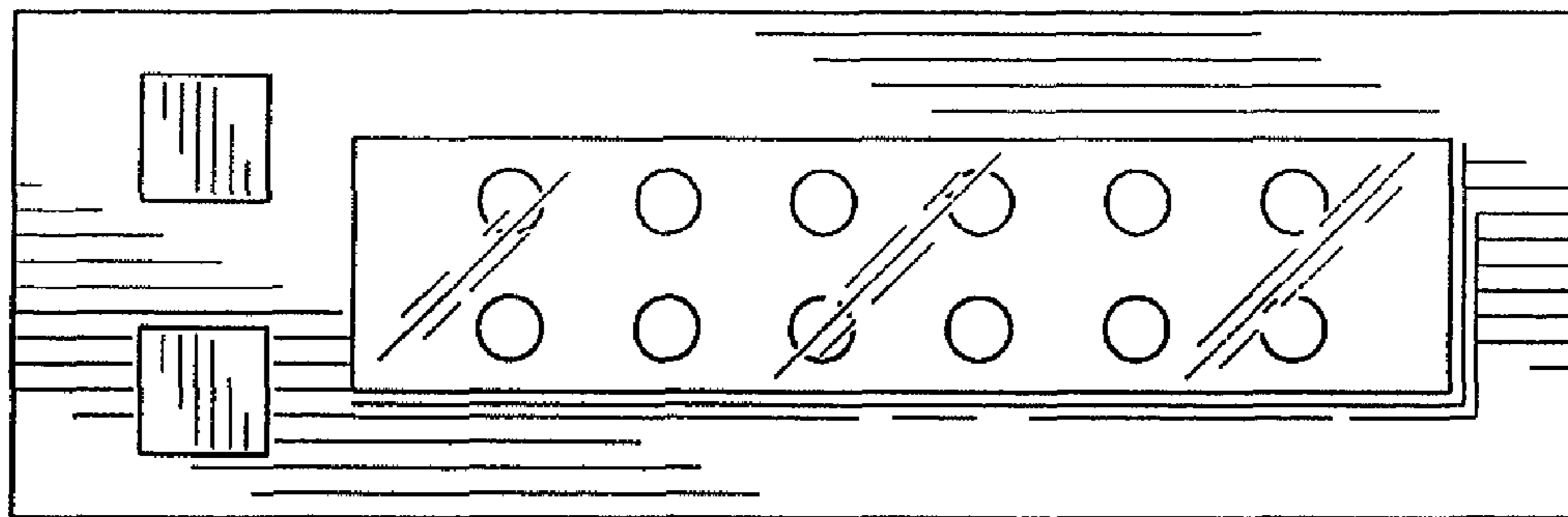


FIG. 6

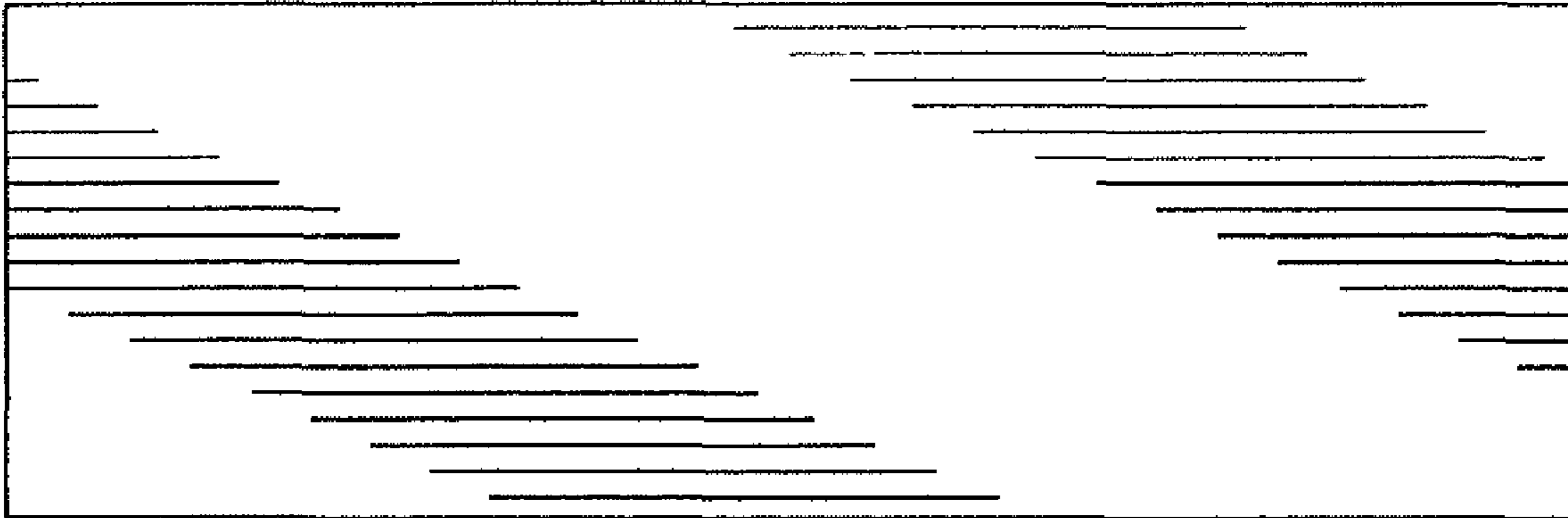


FIG. 7