



US00D623780S

(12) **United States Design Patent**
Seum et al.

(10) **Patent No.:** **US D623,780 S**
(45) **Date of Patent:** **** Sep. 14, 2010**

(54) **PORTION OF A CANDLE**

2008/0081305 A1 4/2008 Horenziak et al.

(75) Inventors: **Michael Thomas Seum**, Cincinnati, OH (US); **Norio Fujikawa**, San Francisco, CA (US); **Shujan Sung Bertrand**, San Francisco, CA (US); **Anh Tuan Nguyen**, Portland, OR (US)

OTHER PUBLICATIONS
www.candlewic.com/candle-making-newsletter/0106.asp—Jan. 2006 How to Make Candles, Candle Making Newsletter, printed Sep. 25, 2006, 7 pages.

(Continued)

(73) Assignee: **The Procter & Gamble Company**, Cincinnati, OH (US)

Primary Examiner—T. Chase Nelson
Assistant Examiner—Ania K Dworzecka
(74) *Attorney, Agent, or Firm*—Julia A. Glazer; Leonard W. Lewis; Steven W. Miller

(**) Term: **14 Years**

(21) Appl. No.: **29/291,315**

(57) **CLAIM**

(22) Filed: **Aug. 23, 2007**

The ornamental design for a portion of a candle, as shown and described.

(51) **LOC (9) Cl.** **26-04**
(52) **U.S. Cl.** **D26/6**
(58) **Field of Classification Search** D26/5,
D26/6, 7, 9, 10, 11, 12, 13, 14, 15, 16, 17,
D26/18, 19, 20, 21, 22, 23, 114–137; D11/117,
D11/121, 125, 131; 428/7–9, 11; 431/291,
431/311, 320, 298; 362/161–163, 351
See application file for complete search history.

DESCRIPTION

FIG. 1 is a perspective view of a portion of a candle showing our new design.

FIG. 2 is a front elevation view of the portion of a candle of FIG. 1.

FIG. 3 is a rear elevation view of the portion of a portion of a candle of FIG. 1.

FIG. 4 is a left side elevation view of the portion of a candle of FIG. 1.

FIG. 5 is a right side elevation view of the portion of a candle of FIG. 1.

FIG. 6 is a top plan view of the portion of a candle of FIG. 1; and,

FIG. 7 is a bottom plan view of the portion of a candle of FIG. 1.

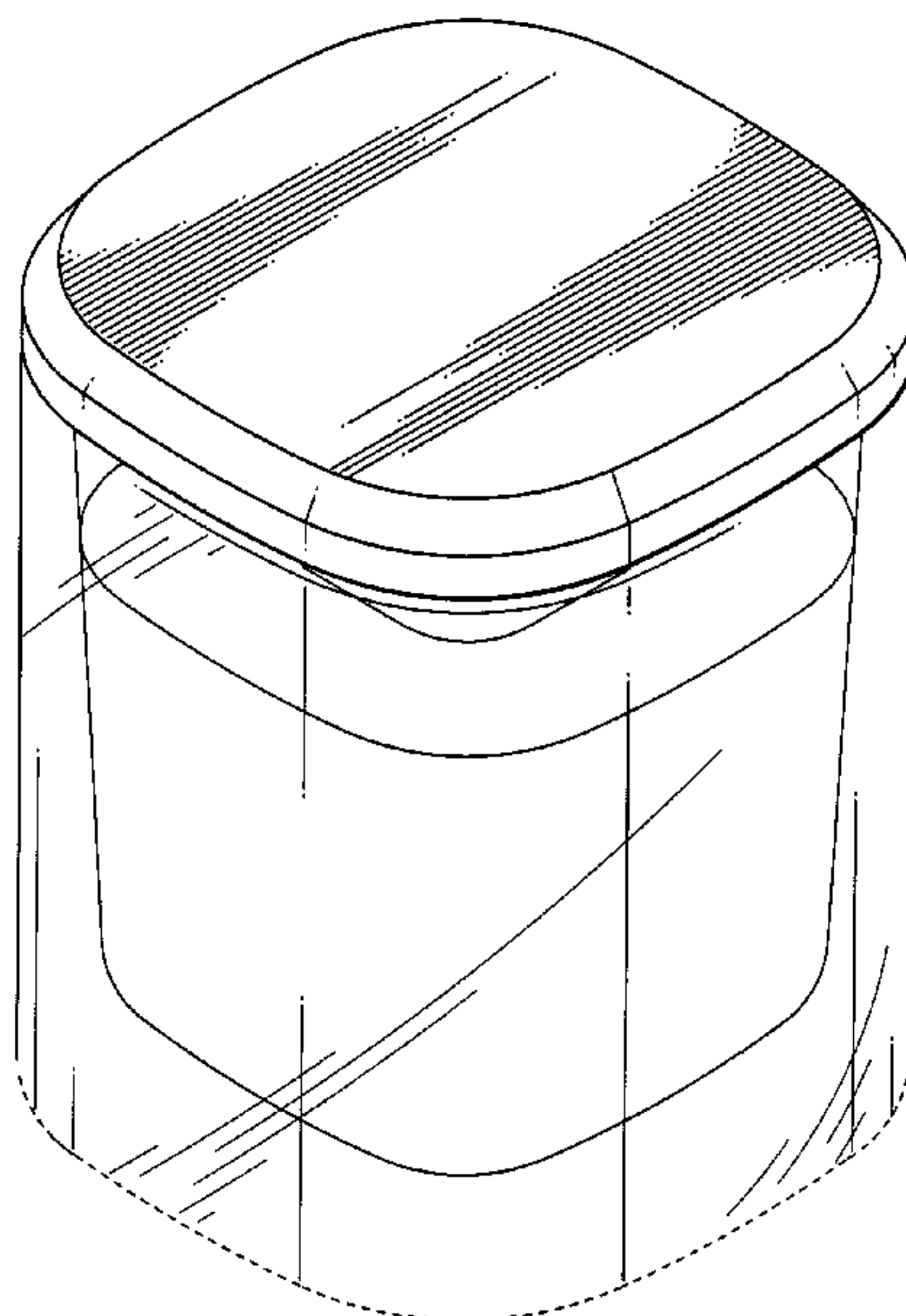
The broken line showing of environmental structure in the figures is for illustrative purposes only and forms no part of the claimed design.

(56) **References Cited**

U.S. PATENT DOCUMENTS

2,057,972	A *	10/1936	Pieck	47/71
4,538,741	A *	9/1985	Jacobs	215/320
D340,385	S *	10/1993	Durand	D7/509
D443,080	S *	5/2001	Klett et al.	D26/7
6,241,512	B1	6/2001	Freeman et al.	
6,435,694	B1	8/2002	Bell et al.	
D484,365	S *	12/2003	Wyche	D7/587
D506,136	S *	6/2005	Wilde et al.	D9/503
2003/0104330	A1	6/2003	Joyner	
2007/0169404	A1	7/2007	Cagle	
2007/0169405	A1	7/2007	Cagle	

1 Claim, 7 Drawing Sheets



OTHER PUBLICATIONS

U.S. Appl. No. 29/291,314, filed Aug. 23, 2007, Seum.
U.S. Appl. No. 29/266,585, filed Sep. 25, 2006, Horezniak.
U.S. Appl. No. 29/286,997, filed May 25, 2007, Horezniak.
U.S. Appl. No. 29/266,593, filed Sep. 25, 2006, Horezniak.

U.S. Appl. No. 29/288,012, filed May 25, 2007, Horezniak.
U.S. Appl. No. 29/266,583, filed Sep. 25, 2006, Horezniak.
U.S. Appl. No. 29/286,002, filed May 25, 2007, Horezniak.
<http://oami.europa.eu/RCDOOnline/RequestManager>—European
Registered Community Design 000078829-0001.

* cited by examiner

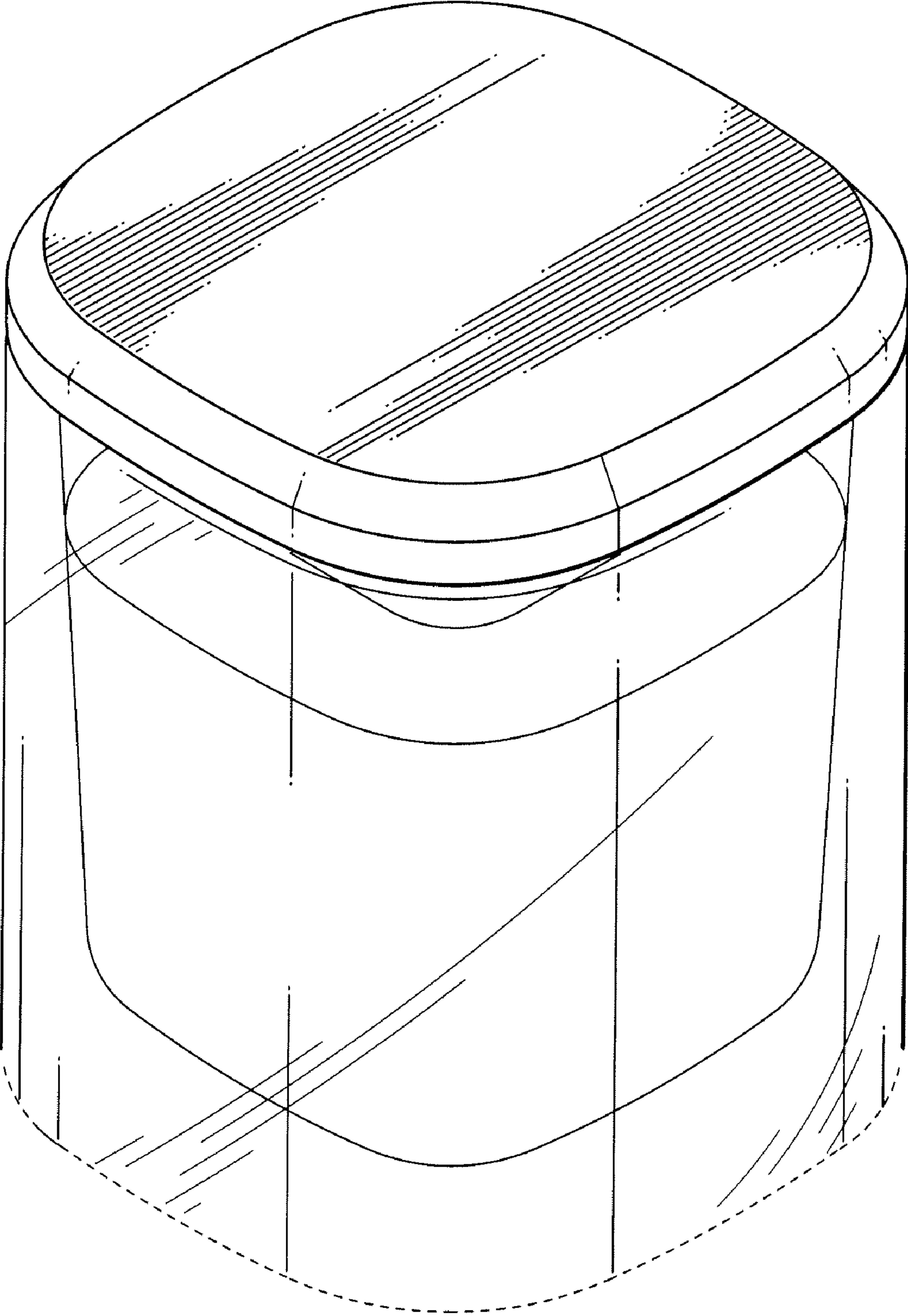


Fig. 1

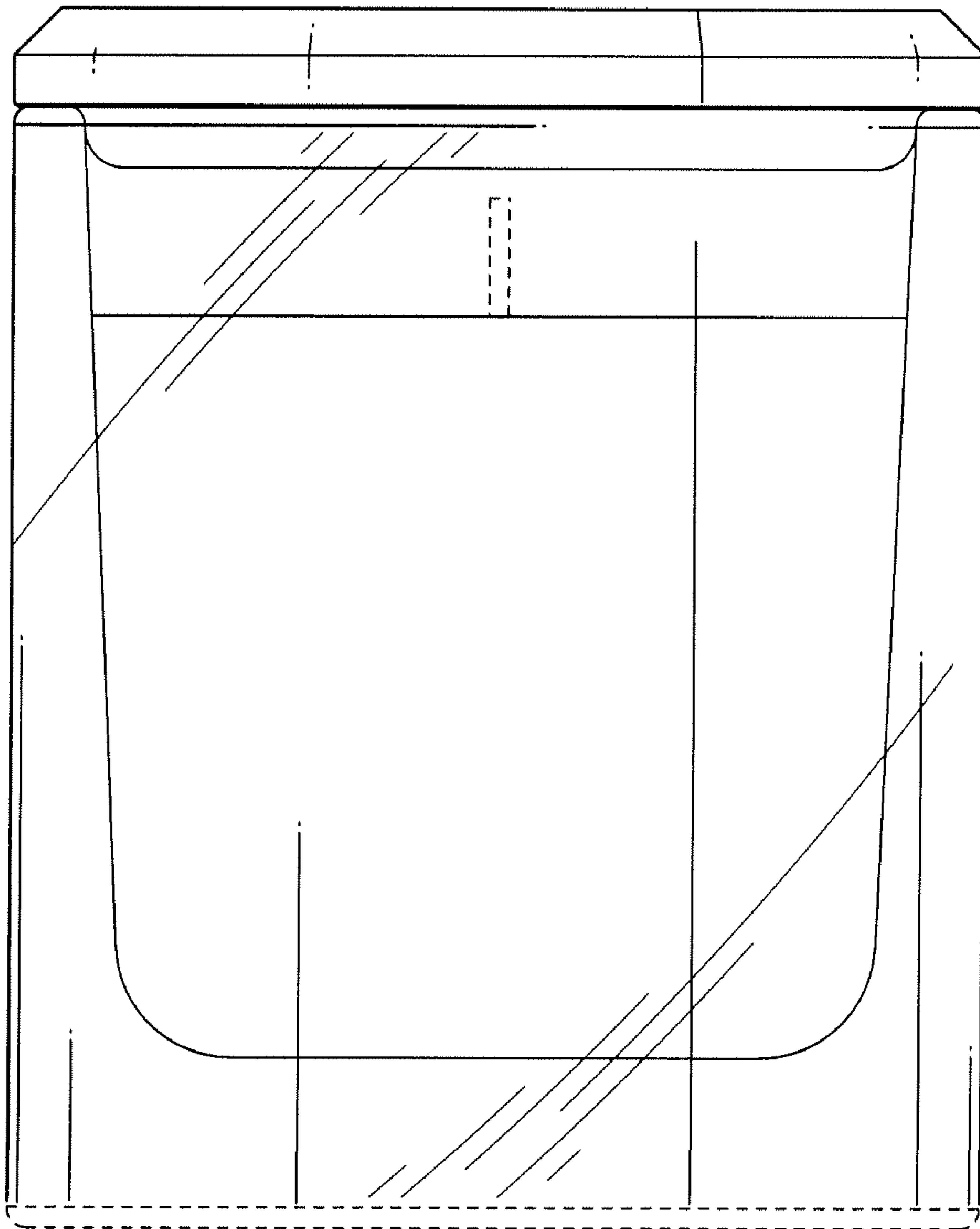


Fig. 2

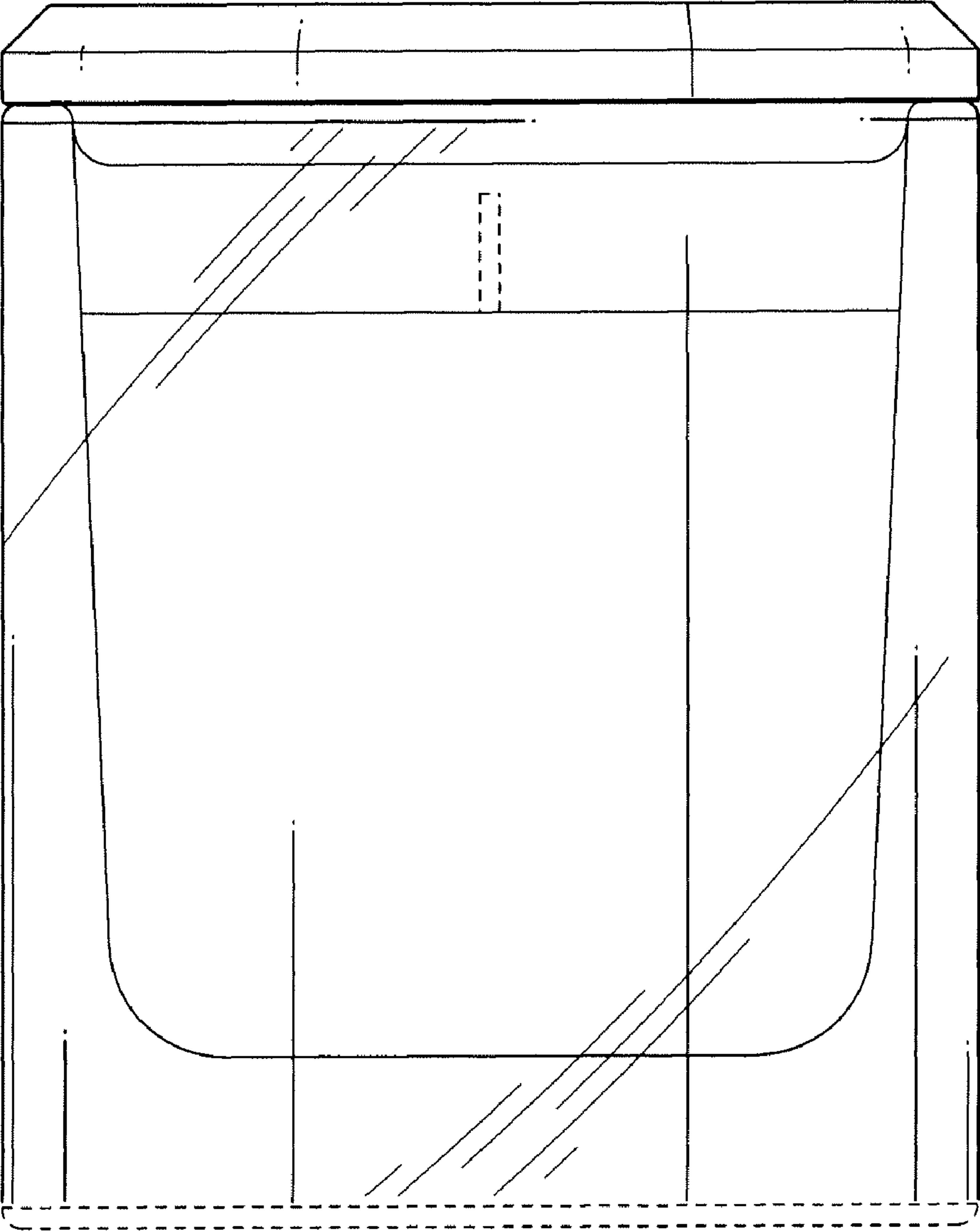


Fig. 3

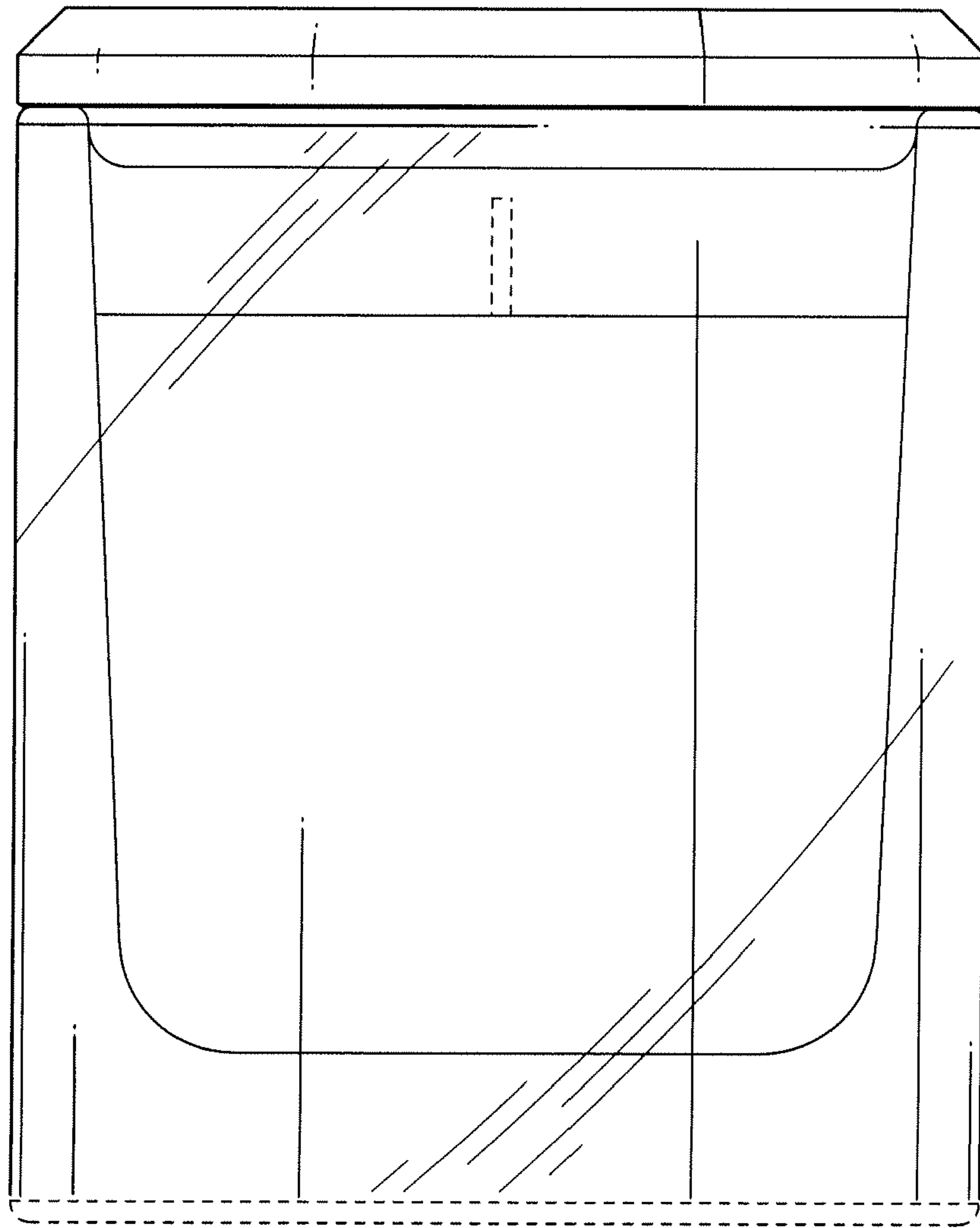


Fig. 4

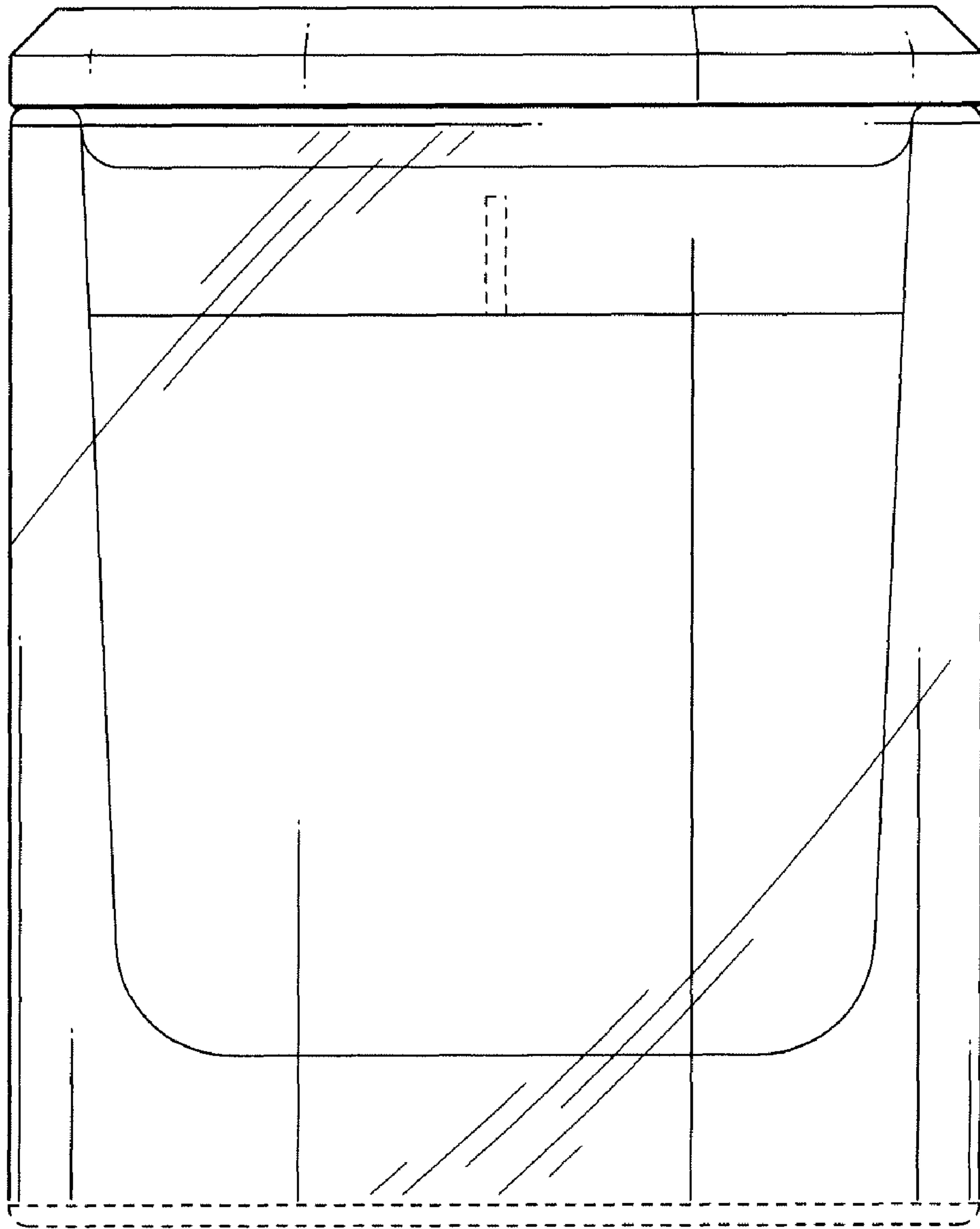


Fig. 5

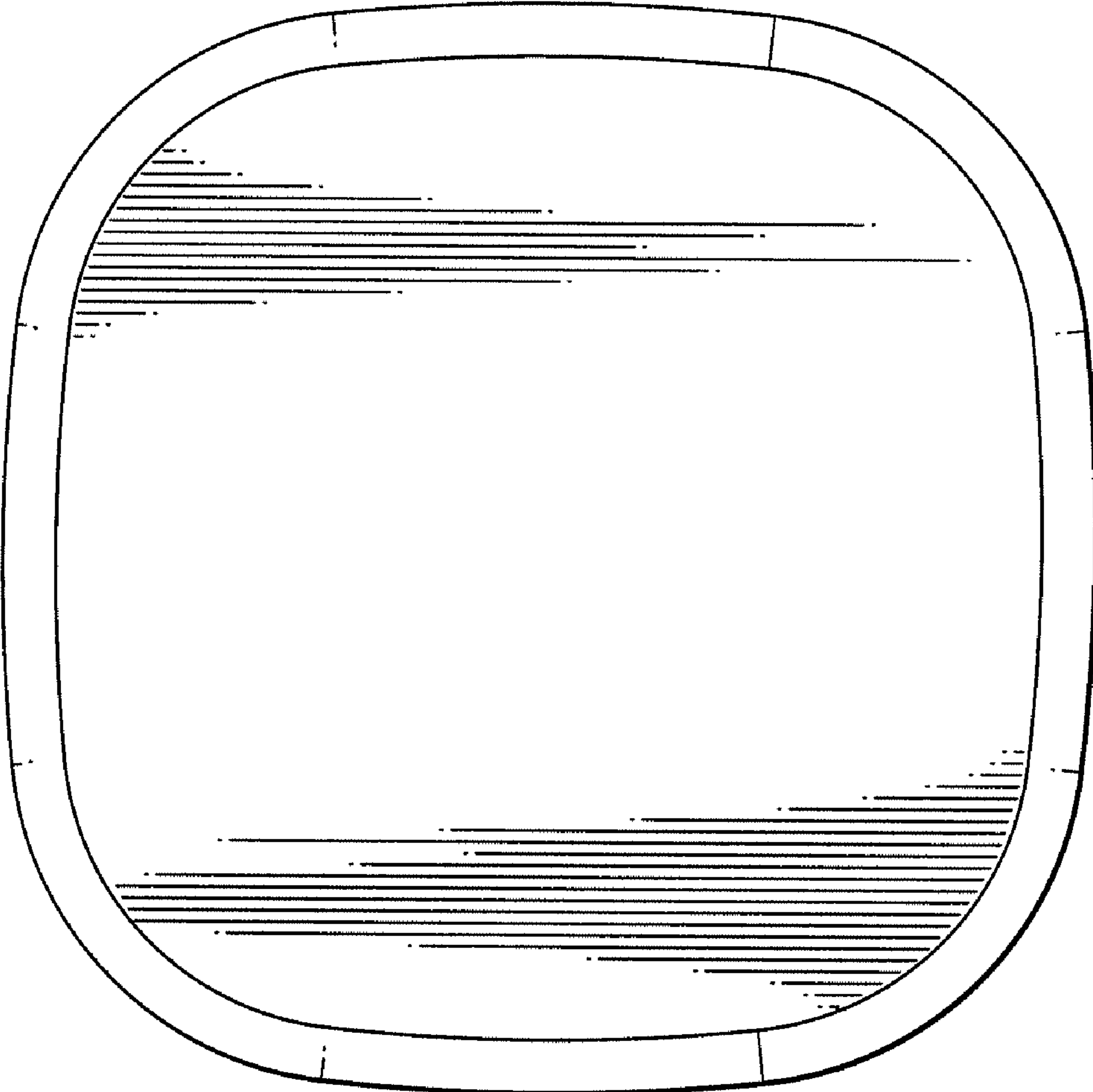


Fig. 6

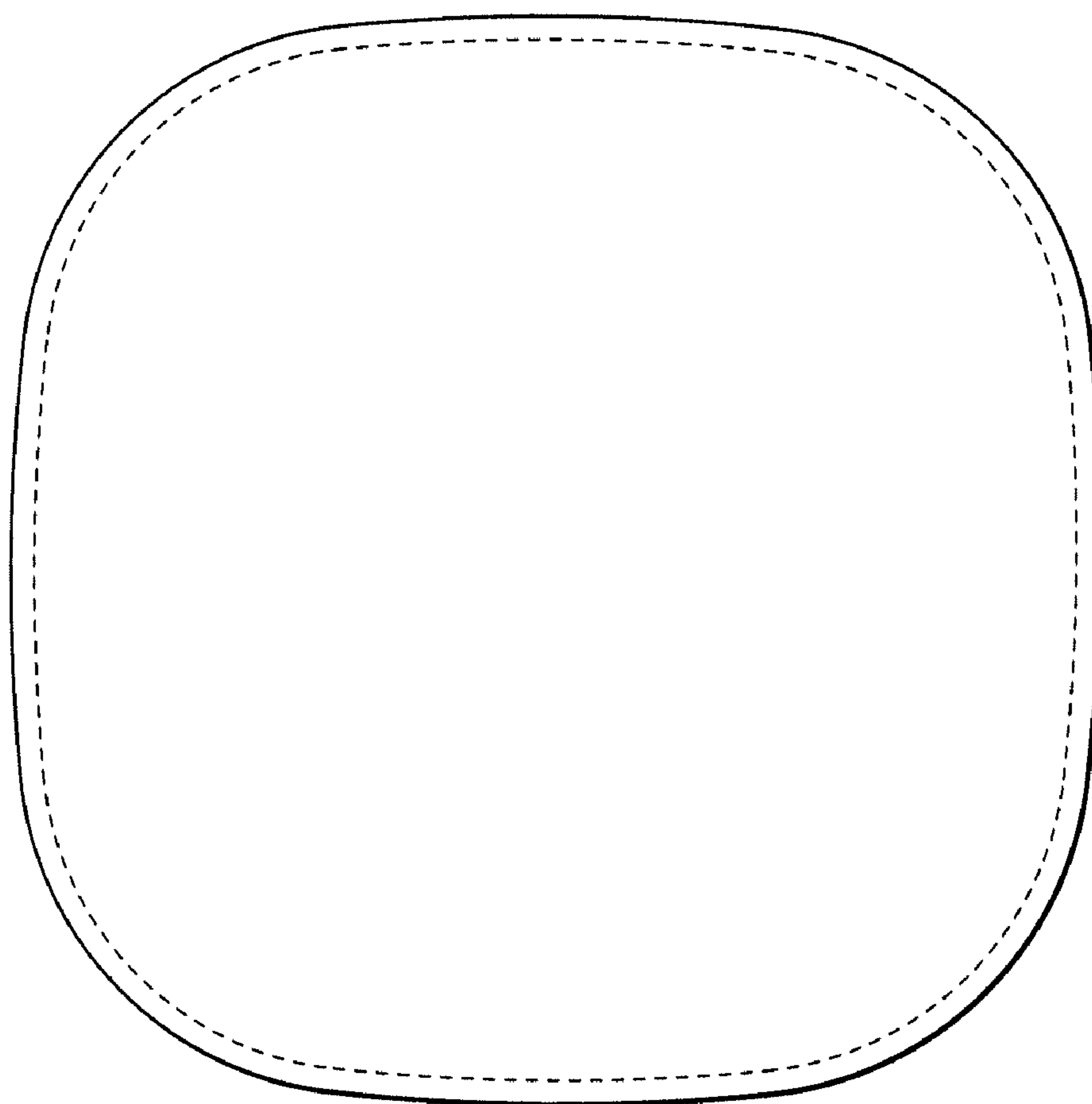


Fig. 7