



US00D623779S

(12) **United States Design Patent**
Wang et al.

(10) **Patent No.:** **US D623,779 S**

(45) **Date of Patent:** **** Sep. 14, 2010**

(54) **LIGHTING DEVICE**

* cited by examiner

(75) Inventors: **Jen-Hui Wang**, Tucheng (TW); **Nai-Fen Shiu**, Tucheng (TW)

Primary Examiner—Marcus A Jackson
(74) *Attorney, Agent, or Firm*—Thomas, Kayden, Horstemeyer & Risley

(73) Assignee: **Everlight Electronics Co., Ltd.**,
Tucheng, Taipei County (TW)

(57) **CLAIM**

(**) Term: **14 Years**

The ornamental design for a lighting device, as shown and described.

(21) Appl. No.: **29/358,696**

(22) Filed: **Mar. 31, 2010**

DESCRIPTION

(51) **LOC (9) Cl.** **26-04**

(52) **U.S. Cl.** **D26/2**

(58) **Field of Classification Search** D26/1-4;
313/313, 315, 316, 317, 318, 493; 315/52,
315/53, 56, 57, 58

See application file for complete search history.

FIG. 1 is a perspective view of a lighting device showing the claimed design;

FIG. 2 is a front elevational view thereof;

FIG. 3 is a rear side elevational view thereof;

FIG. 4 is a left side elevational view thereof;

FIG. 5 is a right side elevational view thereof;

FIG. 6 is a top plan view thereof; and,

FIG. 7 is a bottom plan view thereof.

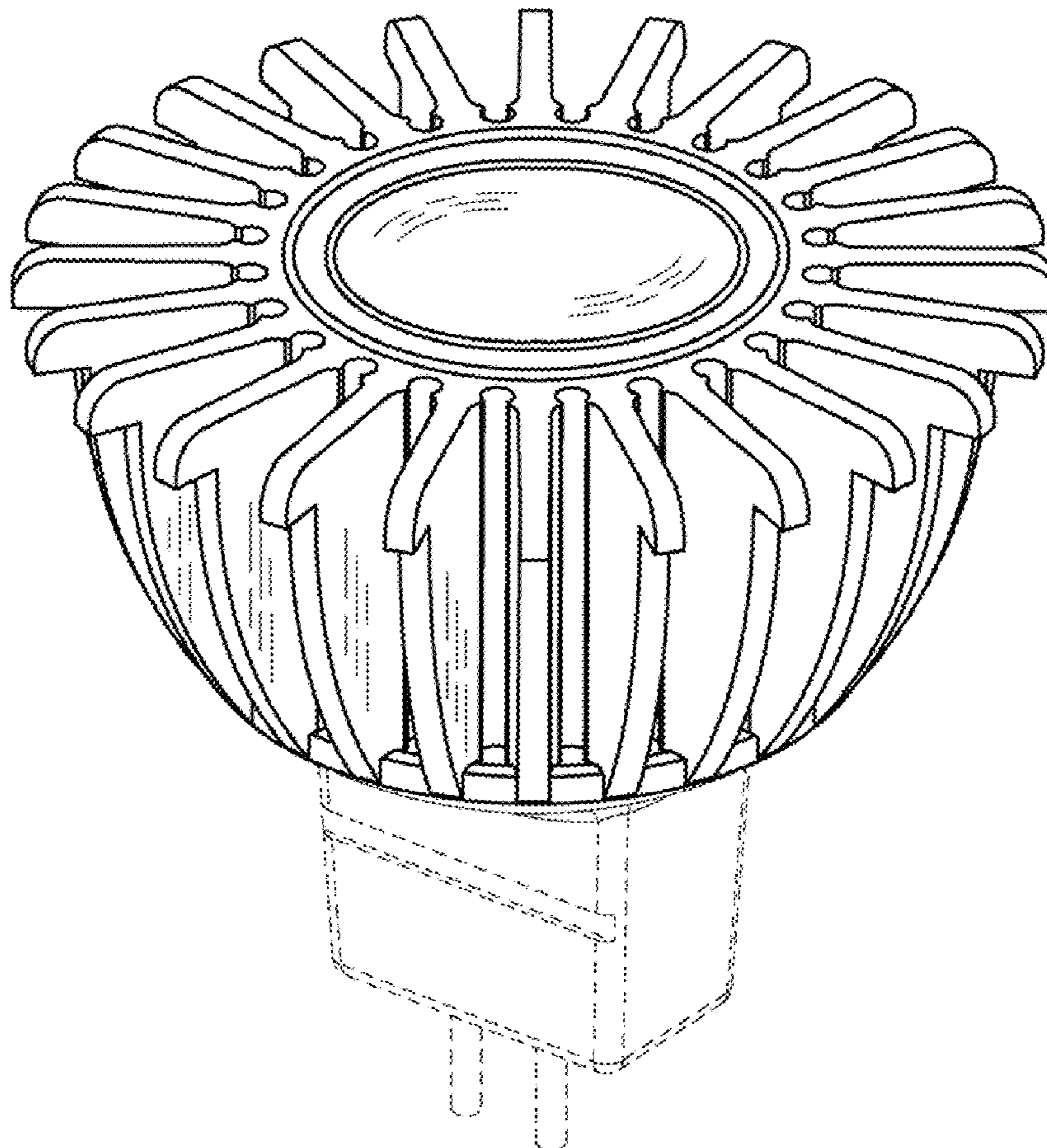
The broken lines are directed to environment and are for illustrative purpose only; the broken lines form no part of the claimed design.

(56) **References Cited**

U.S. PATENT DOCUMENTS

D551,784 S *	9/2007	Krieglmeyer et al.	D26/2
D572,385 S *	7/2008	Mazzochette et al.	D26/2
D581,554 S *	11/2008	To et al.	D26/2
D601,275 S *	9/2009	Ho et al.	D26/2

1 Claim, 4 Drawing Sheets



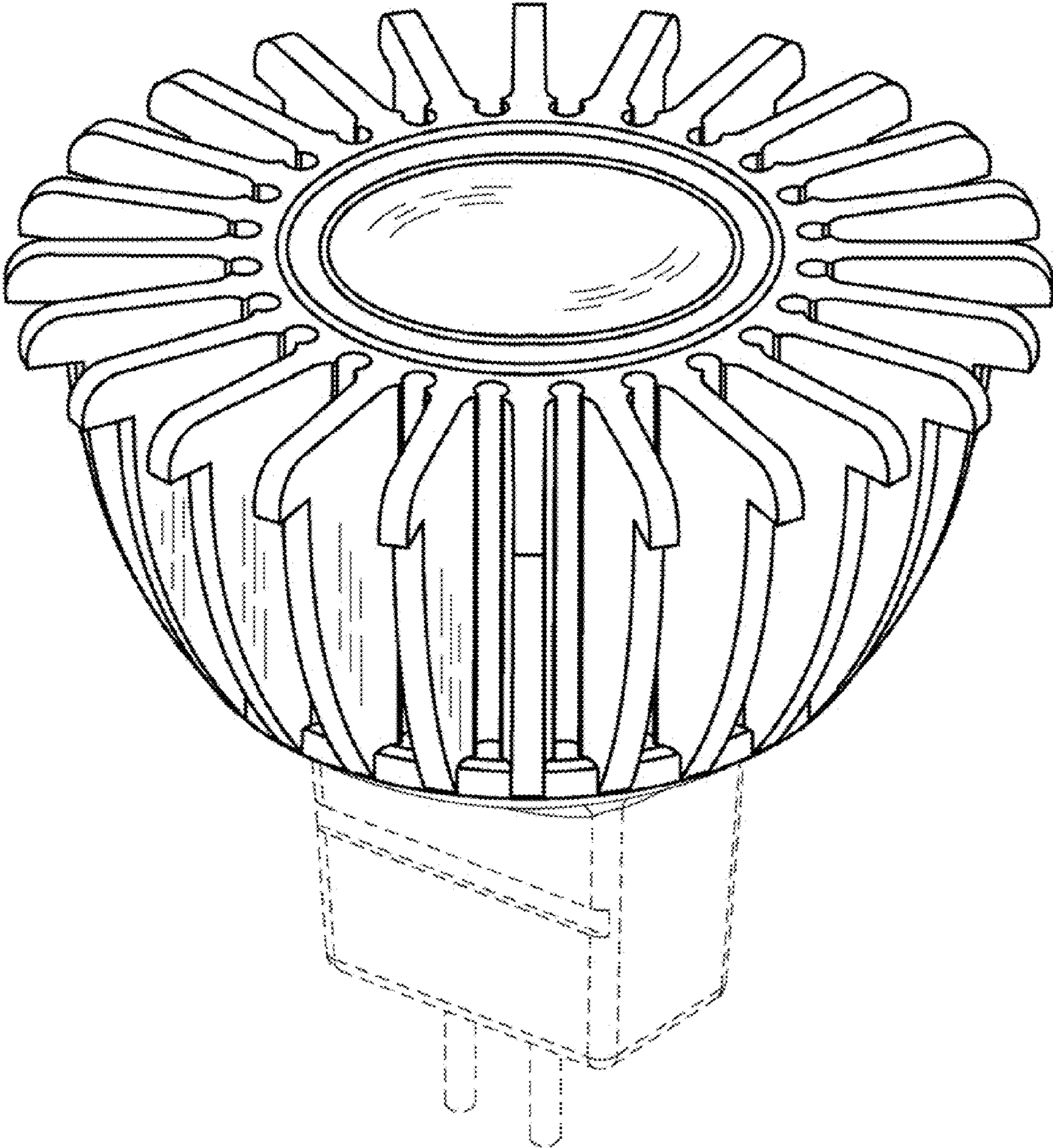


FIG. 1

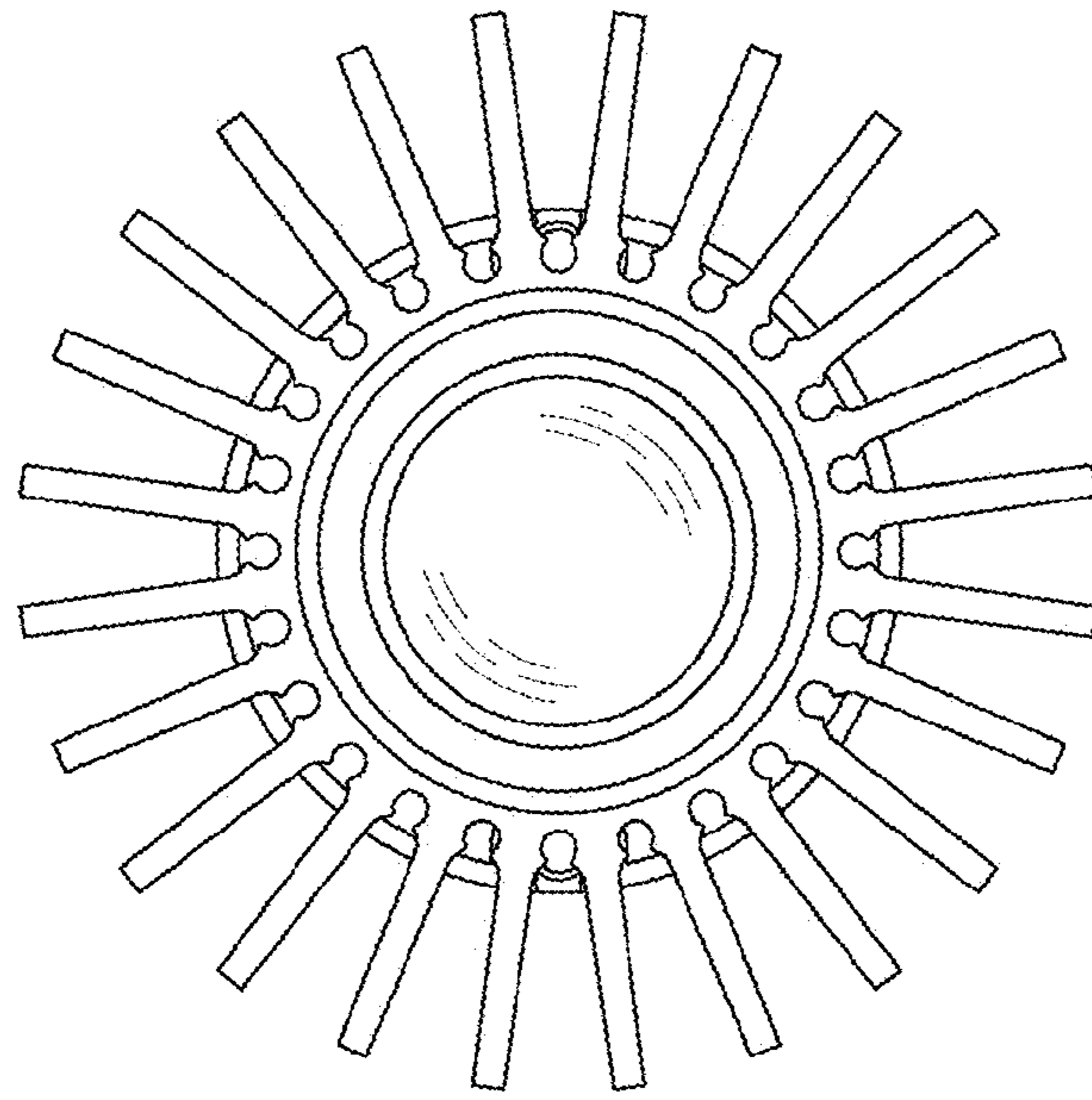


FIG. 2

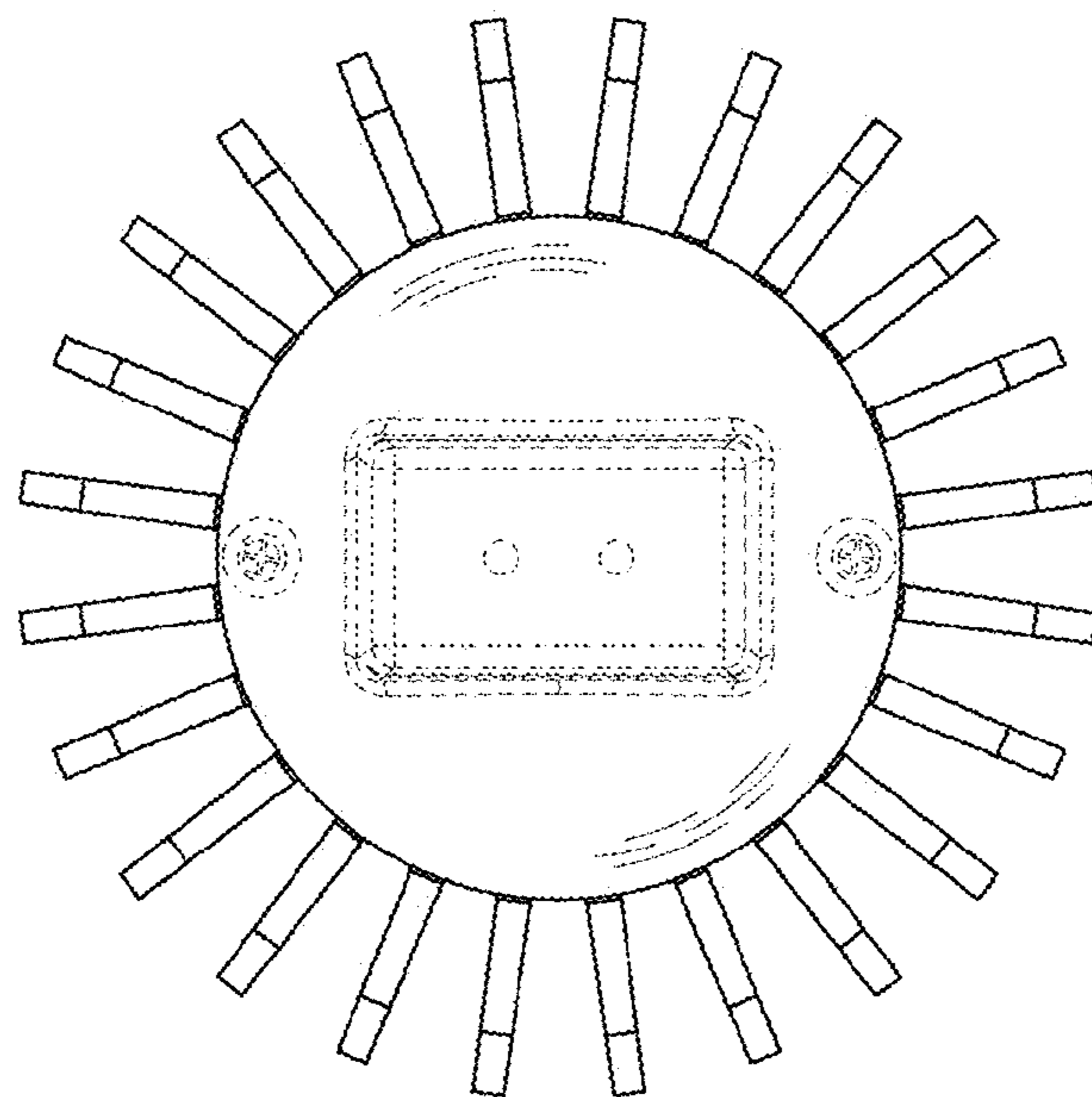


FIG. 3

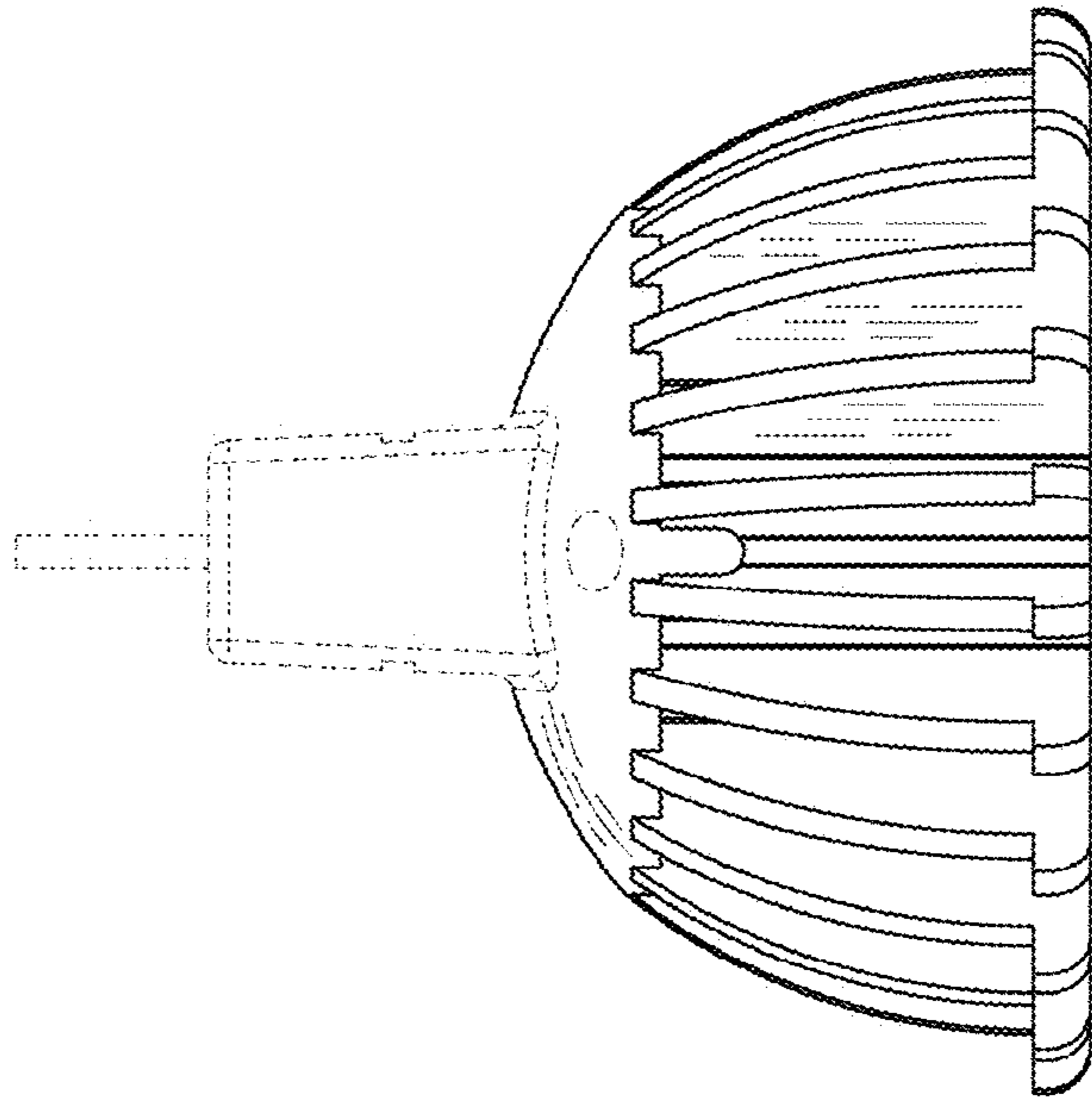


FIG. 4

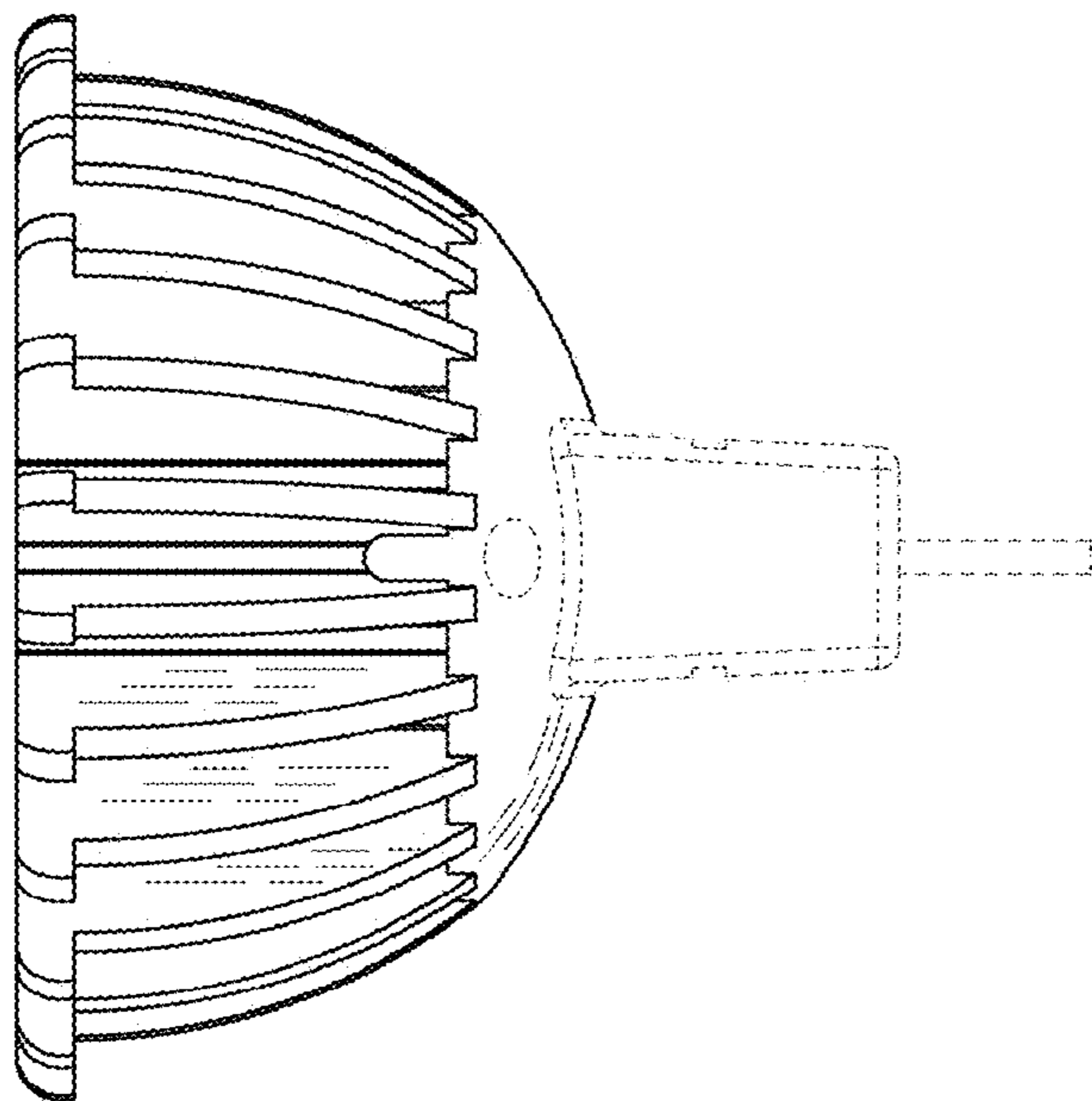


FIG. 5

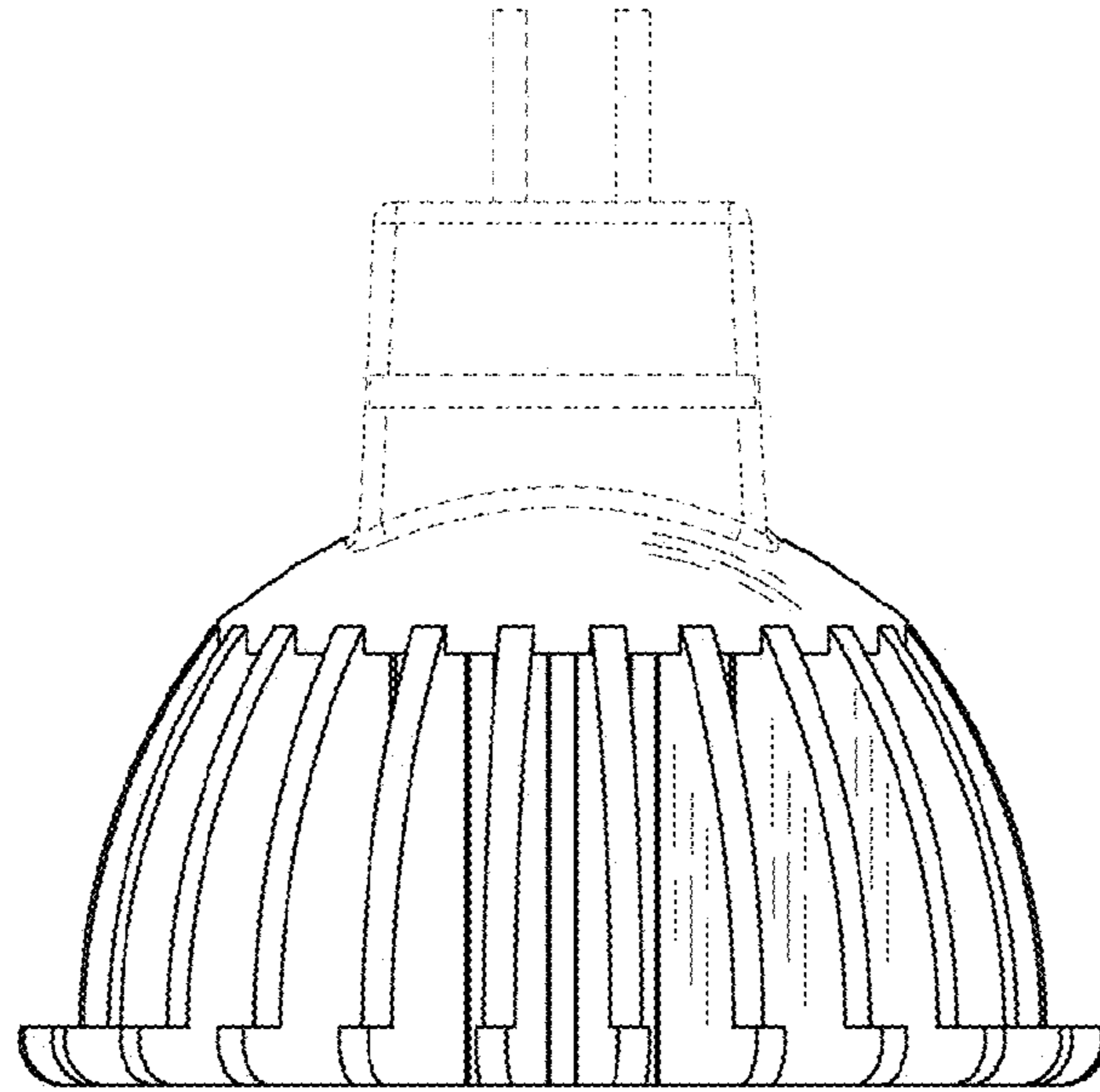


FIG. 6

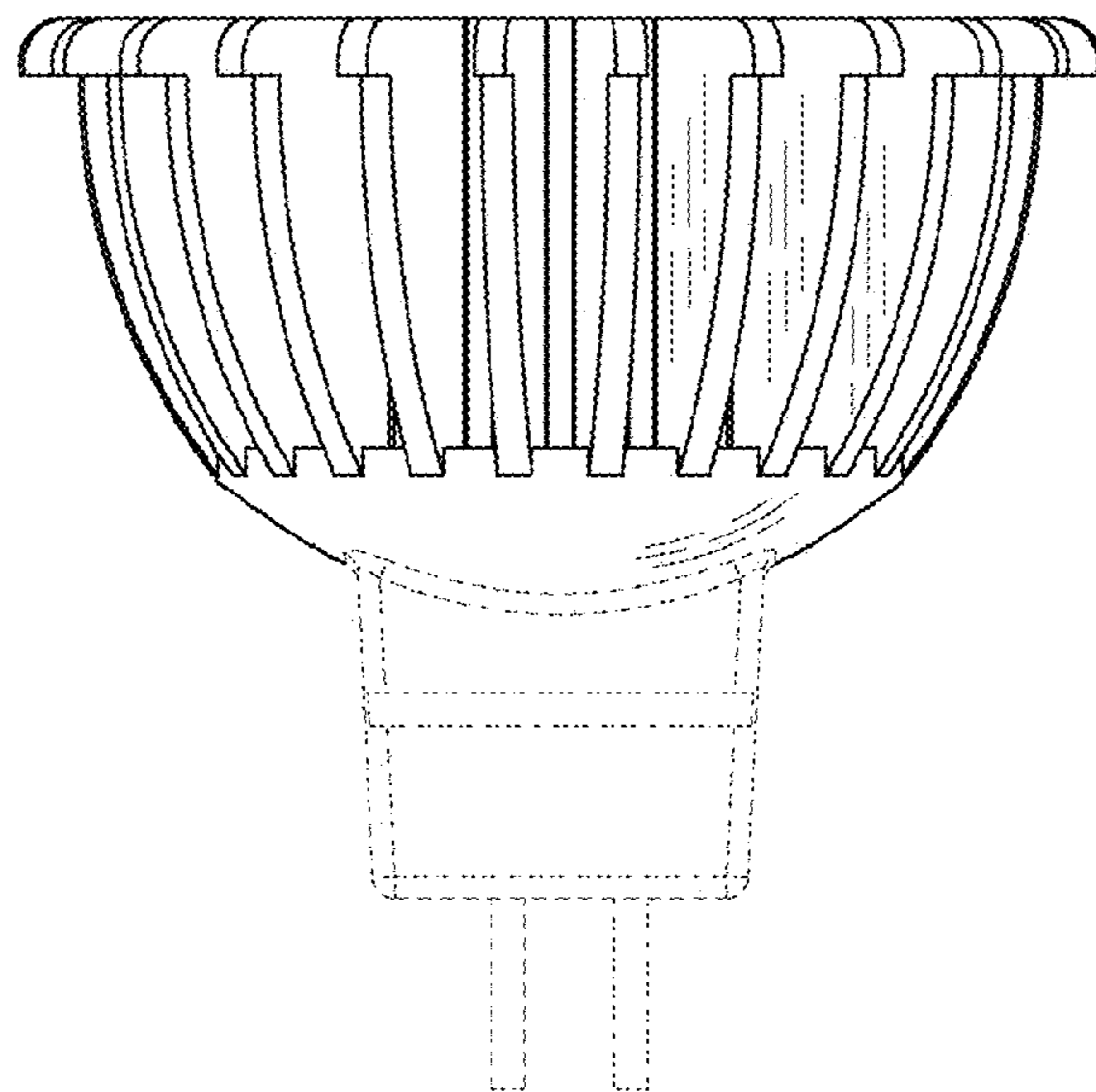


FIG. 7