



US00D623777S

(12) **United States Design Patent**
Moon et al.

(10) **Patent No.:** **US D623,777 S**

(45) **Date of Patent:** **** Sep. 14, 2010**

(54) **LED LAMP**

D610,274 S * 2/2010 Cho D26/2
D610,722 S * 2/2010 Bi D26/2

(75) Inventors: **Joon Kwon Moon**, Seoul (KR); **Dong Ki Paik**, Gyeonggi-do (KR)

* cited by examiner

(73) Assignee: **LG Electronics Inc.**, Seoul (KR)

Primary Examiner—Marcus A Jackson
(74) *Attorney, Agent, or Firm*—Birch, Stewart, Kolasch & Birch, LLP

(**) Term: **14 Years**

(21) Appl. No.: **29/358,624**

(57) **CLAIM**

(22) Filed: **Mar. 30, 2010**

We claim the ornamental design for a LED lamp, as shown and described.

(51) **LOC (9) Cl.** **26-04**

(52) **U.S. Cl.** **D26/2**

(58) **Field of Classification Search** D26/1-4;
313/313, 315, 316, 317, 318, 493; 315/52,
315/53, 56, 57, 58

See application file for complete search history.

DESCRIPTION

FIG. 1 is a perspective view of a LED lamp showing our new design:

FIG. 2 is a front elevation view thereof;

FIG. 3 is a rear elevation view thereof;

FIG. 4 is a left-side elevation view thereof;

FIG. 5 is a right-side elevation view thereof;

FIG. 6 is a top plan view thereof; and,

FIG. 7 is a bottom plan view thereof.

(56) **References Cited**

U.S. PATENT DOCUMENTS

D566,300 S *	4/2008	Lo	D26/2
D601,279 S *	9/2009	Ou et al.	D26/2
D604,434 S *	11/2009	Wada et al.	D26/2
D607,586 S *	1/2010	Ko	D26/2
D610,271 S *	2/2010	Bi	D26/2

1 Claim, 4 Drawing Sheets

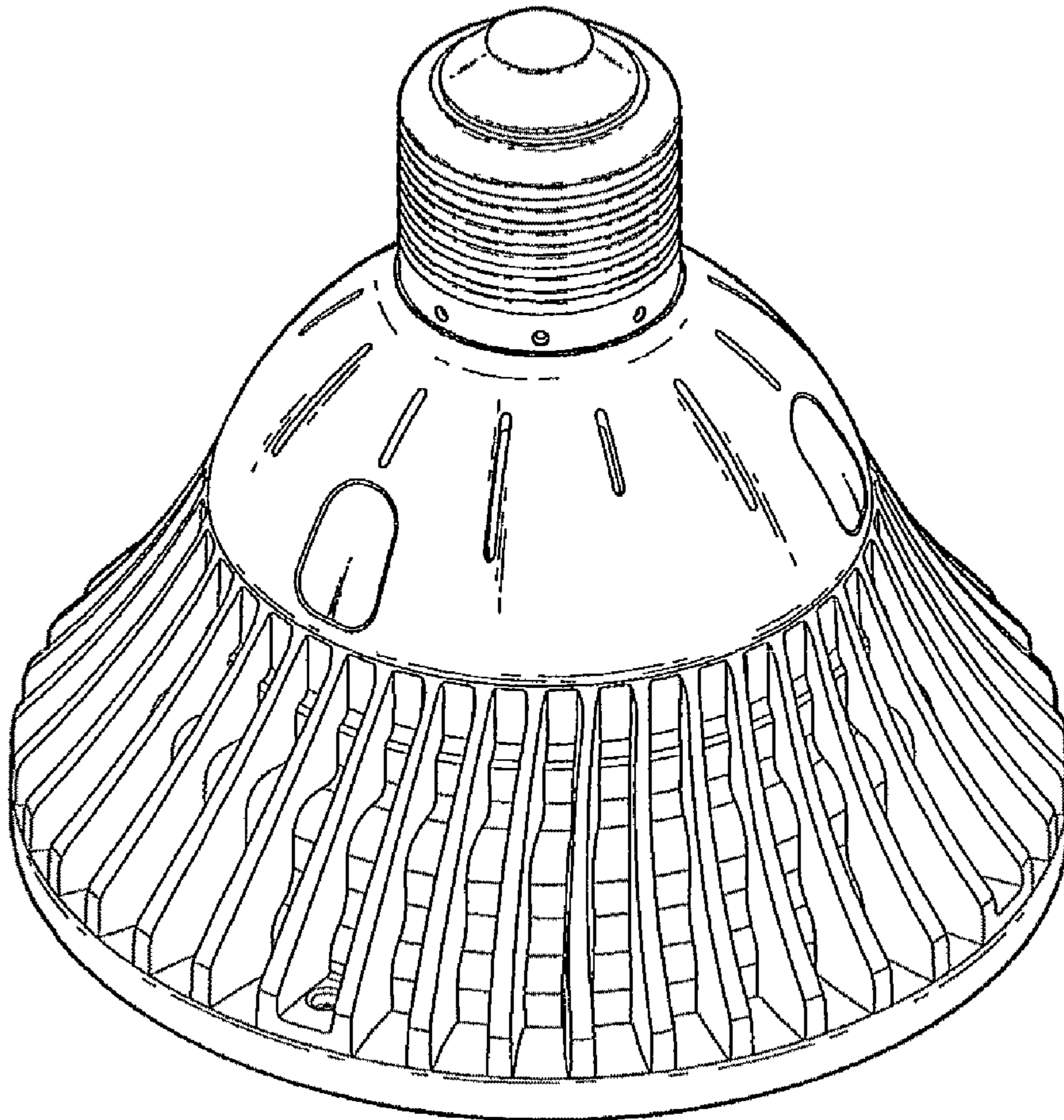


FIG. 1

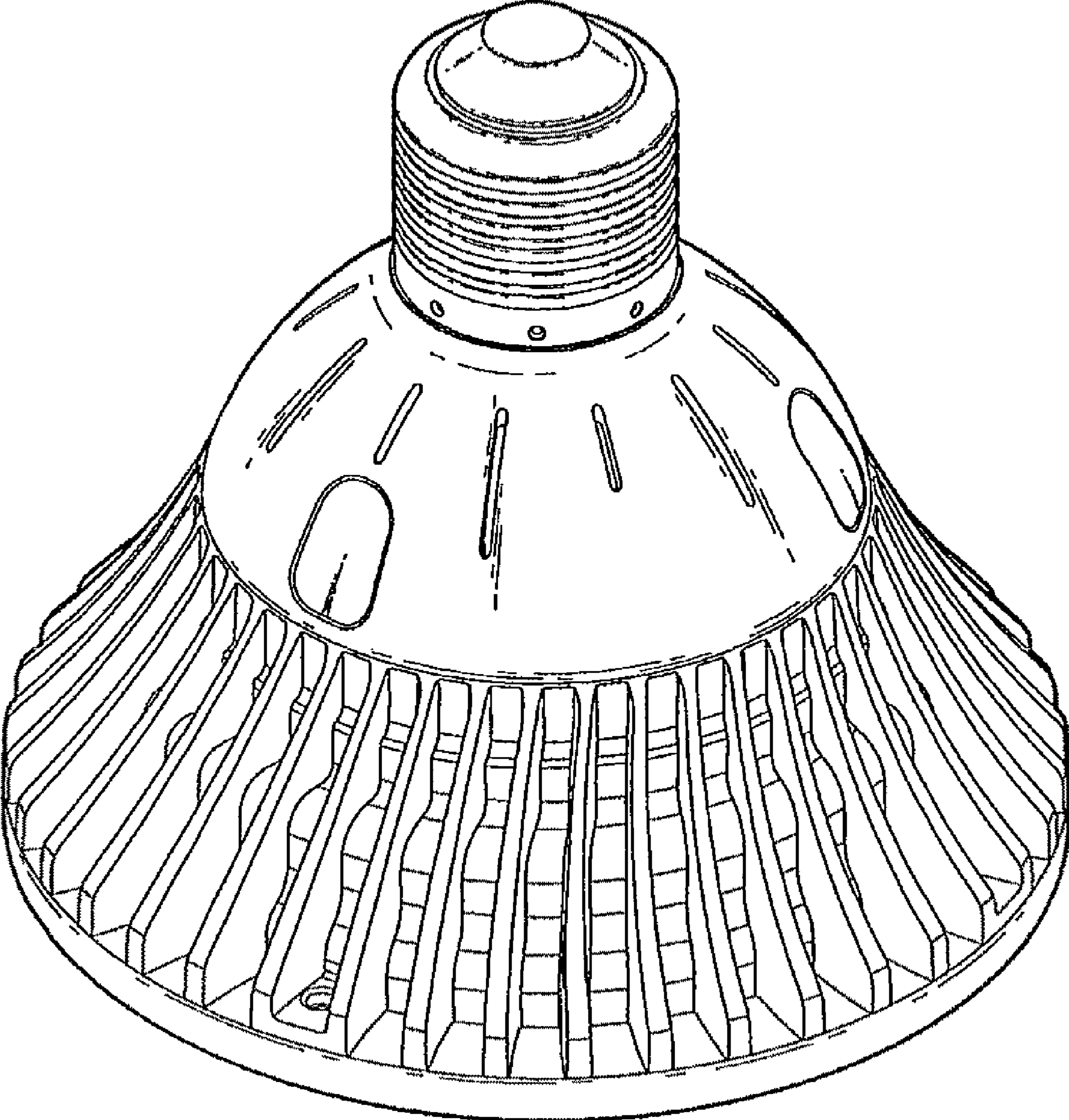


FIG. 2

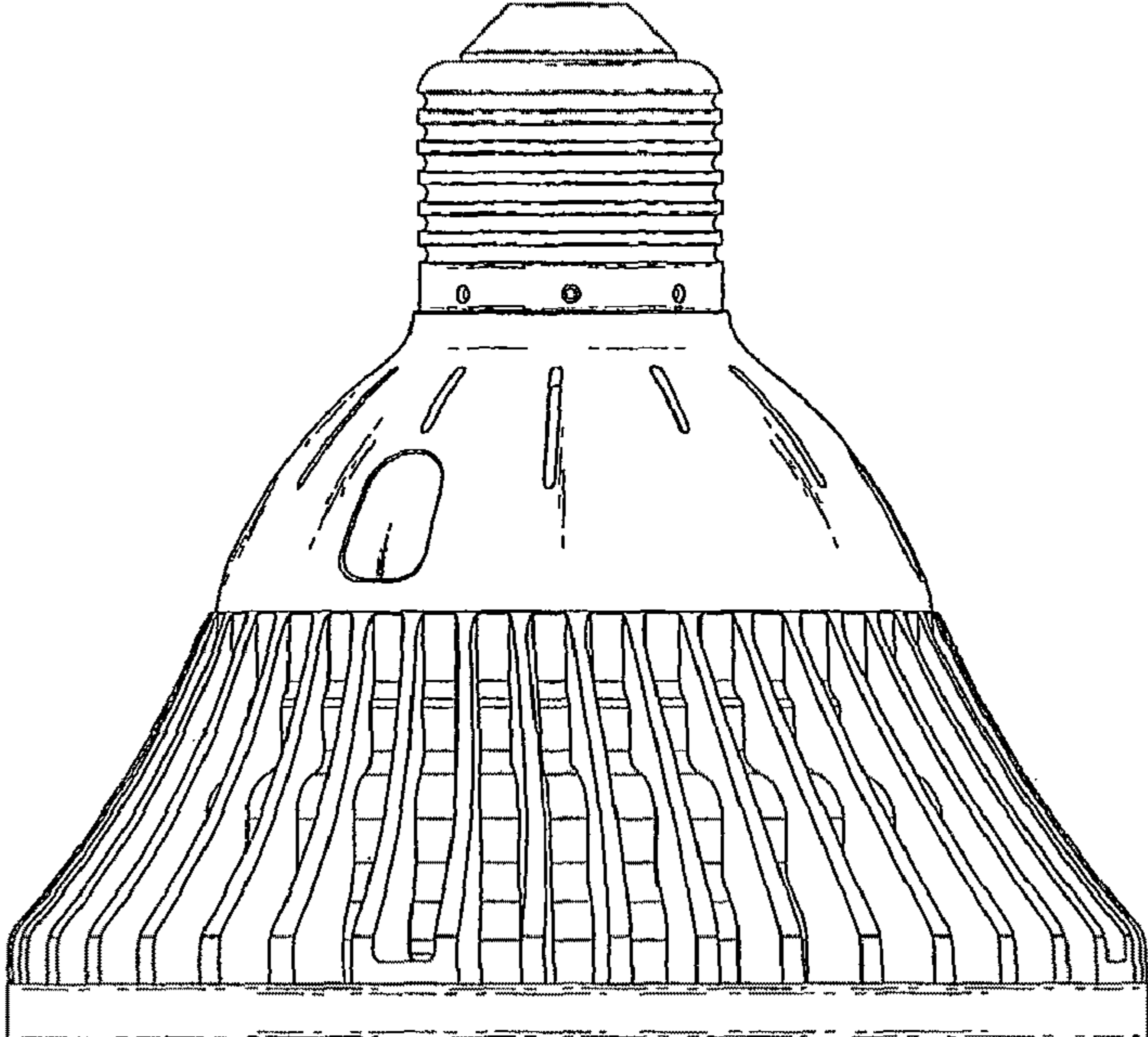


FIG. 3

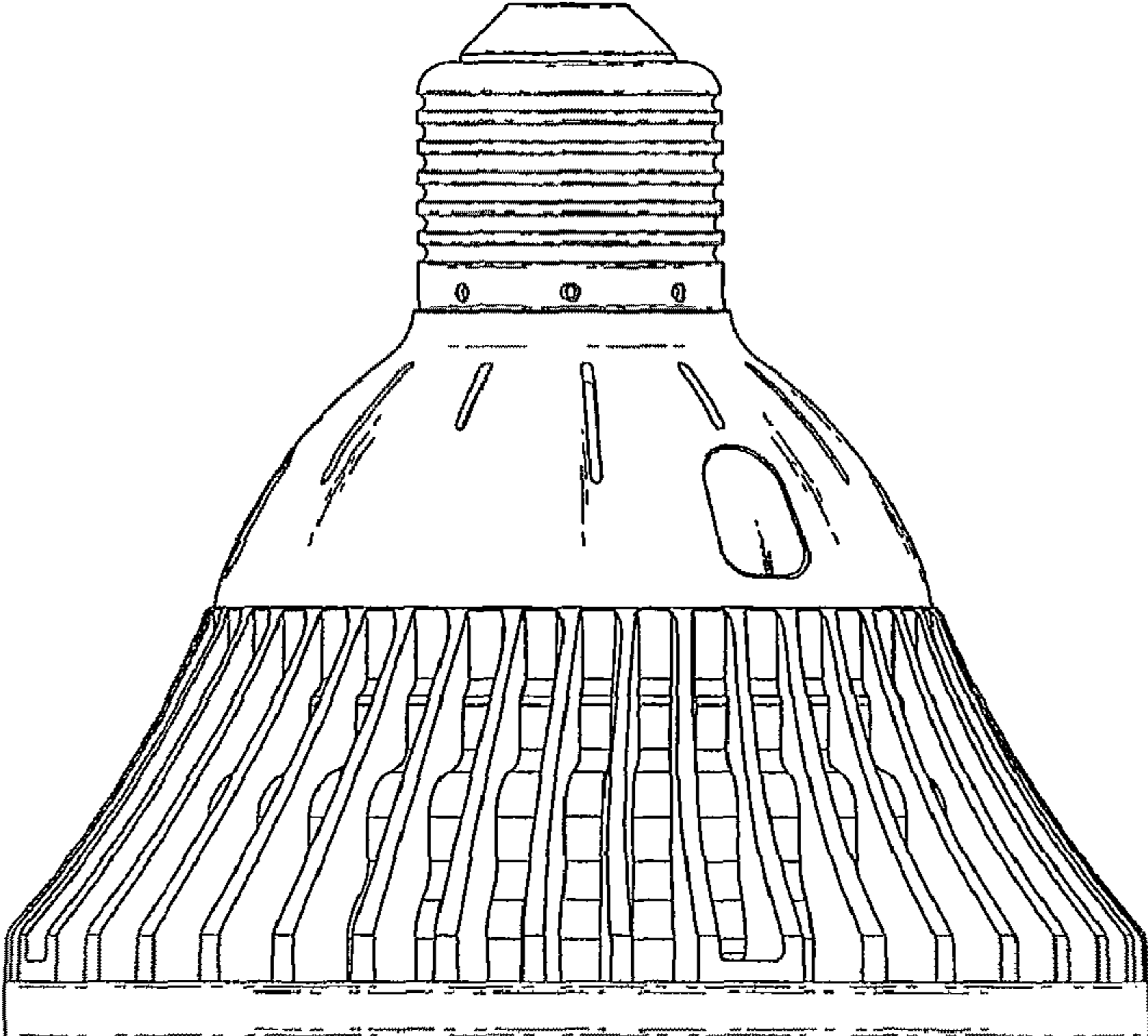


FIG. 4

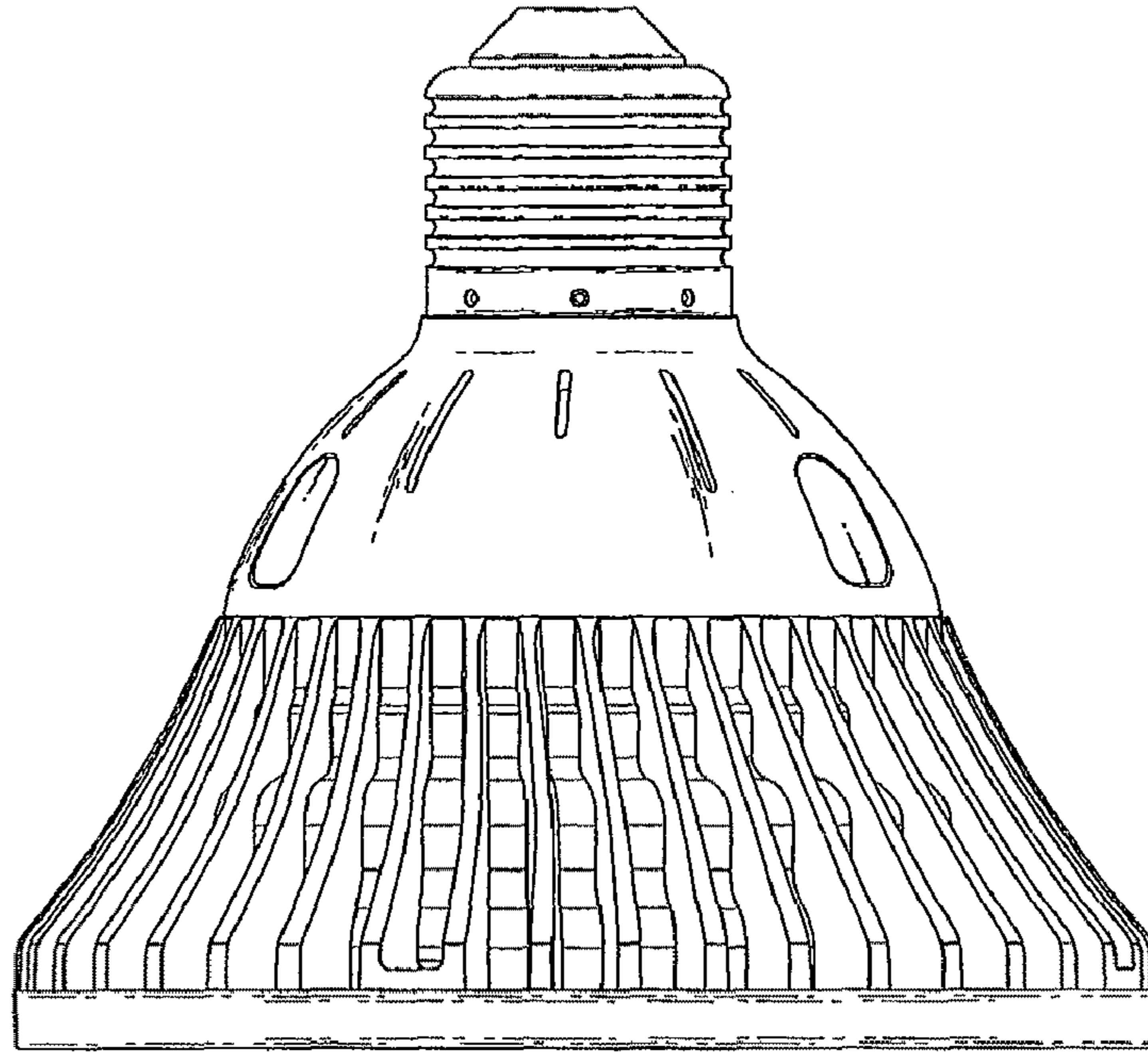


FIG. 5

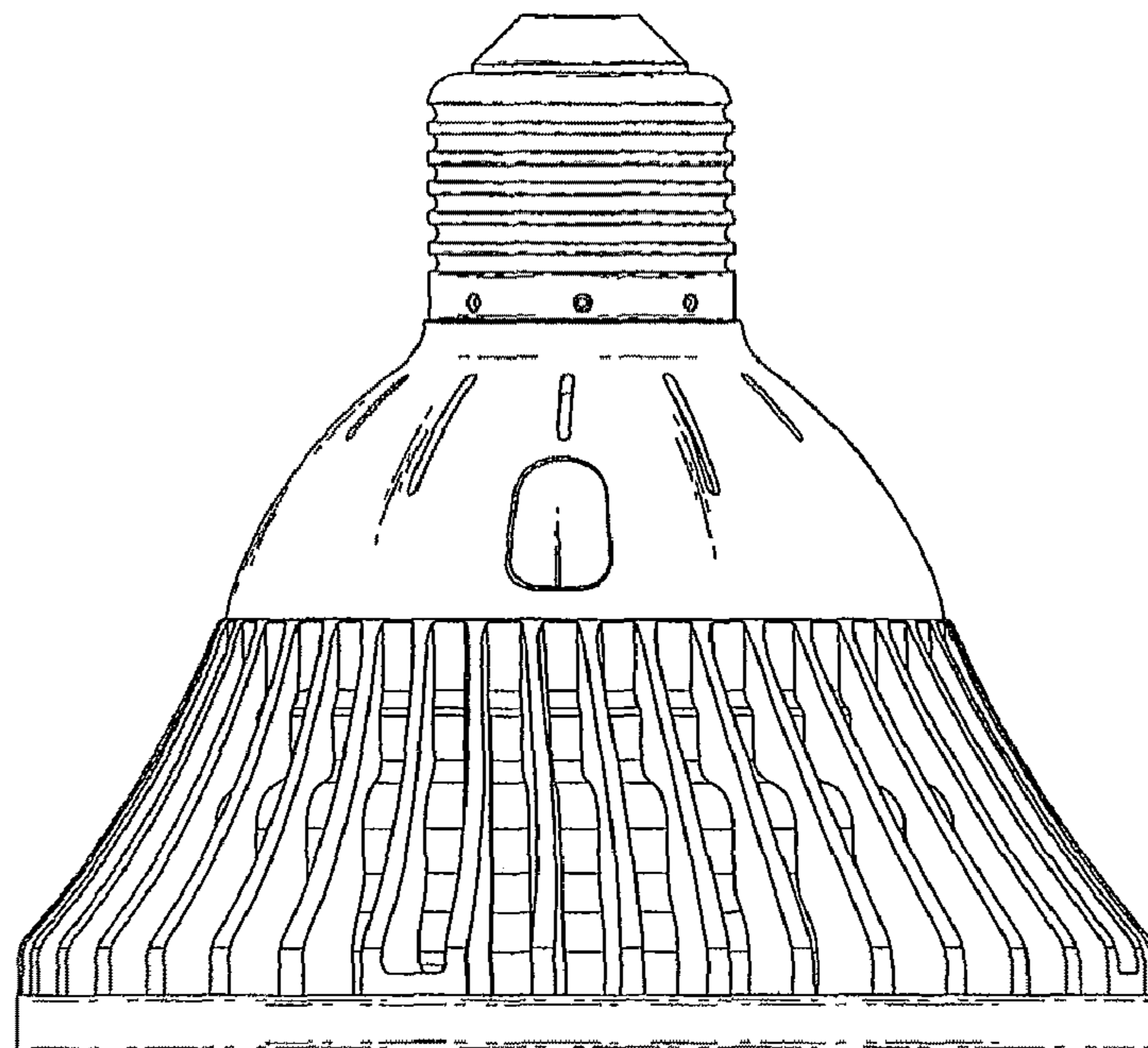


FIG. 6

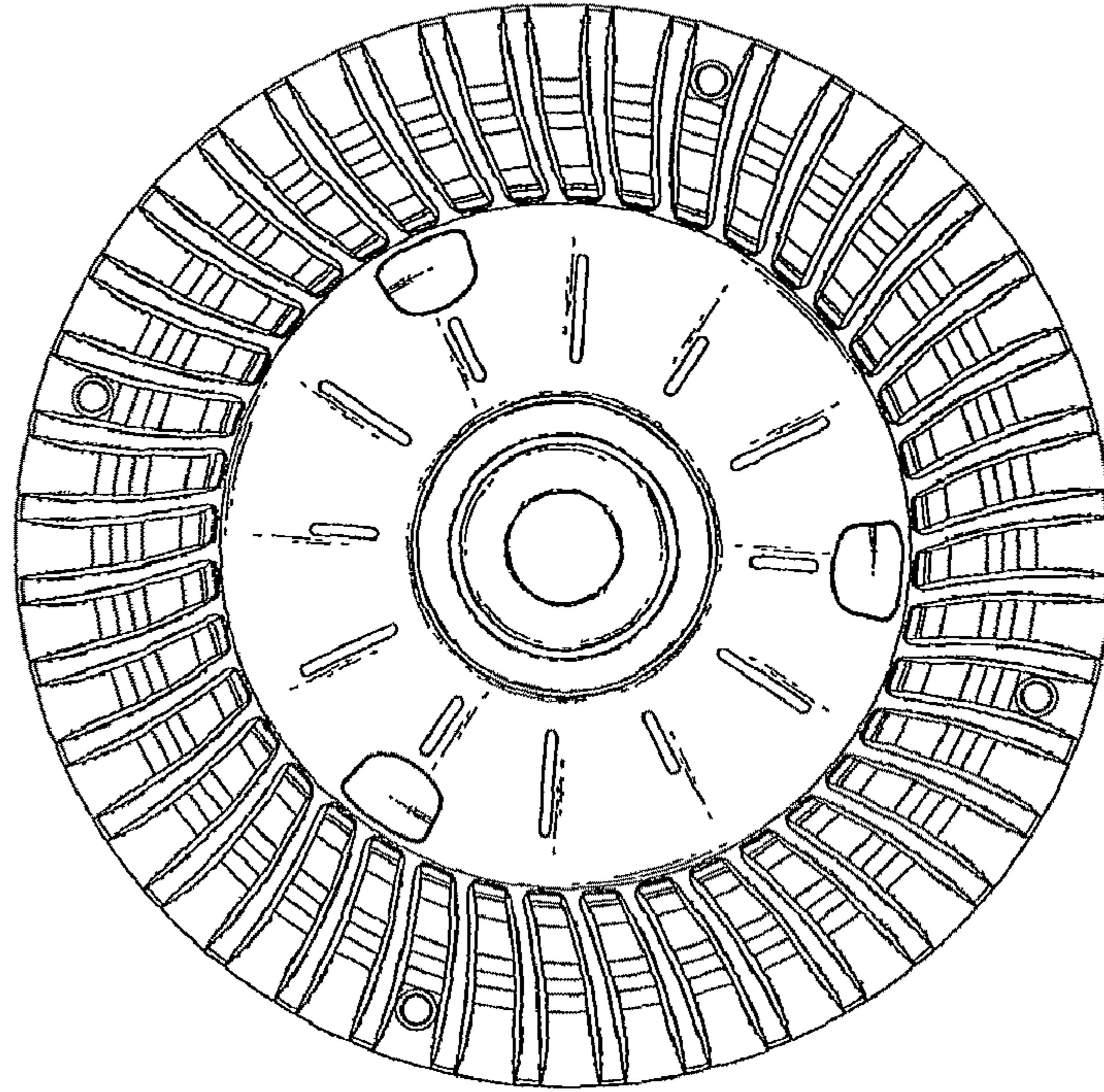


FIG. 7

