



US00D623775S

(12) **United States Design Patent**  
**Foo**

(10) **Patent No.:** **US D623,775 S**

(45) **Date of Patent:** **\*\* Sep. 14, 2010**

(54) **LAMP**

D602,179 S \* 10/2009 Foo ..... D26/2  
D602,182 S \* 10/2009 Foo ..... D26/2  
D603,982 S \* 11/2009 Foo ..... D26/2

(75) Inventor: **Onn Fah Foo**, Kowloon (HK)

(73) Assignee: **Mass Technology (H.K.) Limited**,  
Kwun Tong, Kowloon (HK)

\* cited by examiner

(\*\*) Term: **14 Years**

*Primary Examiner*—Marcus A Jackson  
(74) *Attorney, Agent, or Firm*—McNeely & Hare LLP; Kevin  
J. McNeely

(21) Appl. No.: **29/358,575**

(22) Filed: **Mar. 29, 2010**

(57) **CLAIM**

The ornamental design for a lamp, as shown and described.

(30) **Foreign Application Priority Data**

Oct. 16, 2009 (HK) ..... 091716.9M003

**DESCRIPTION**

(51) **LOC (9) Cl.** ..... **26-04**

(52) **U.S. Cl.** ..... **D26/2**

(58) **Field of Classification Search** ..... D26/1-4;  
313/313, 315, 316, 317, 318, 493; 315/52,  
315/53, 56, 57, 58

See application file for complete search history.

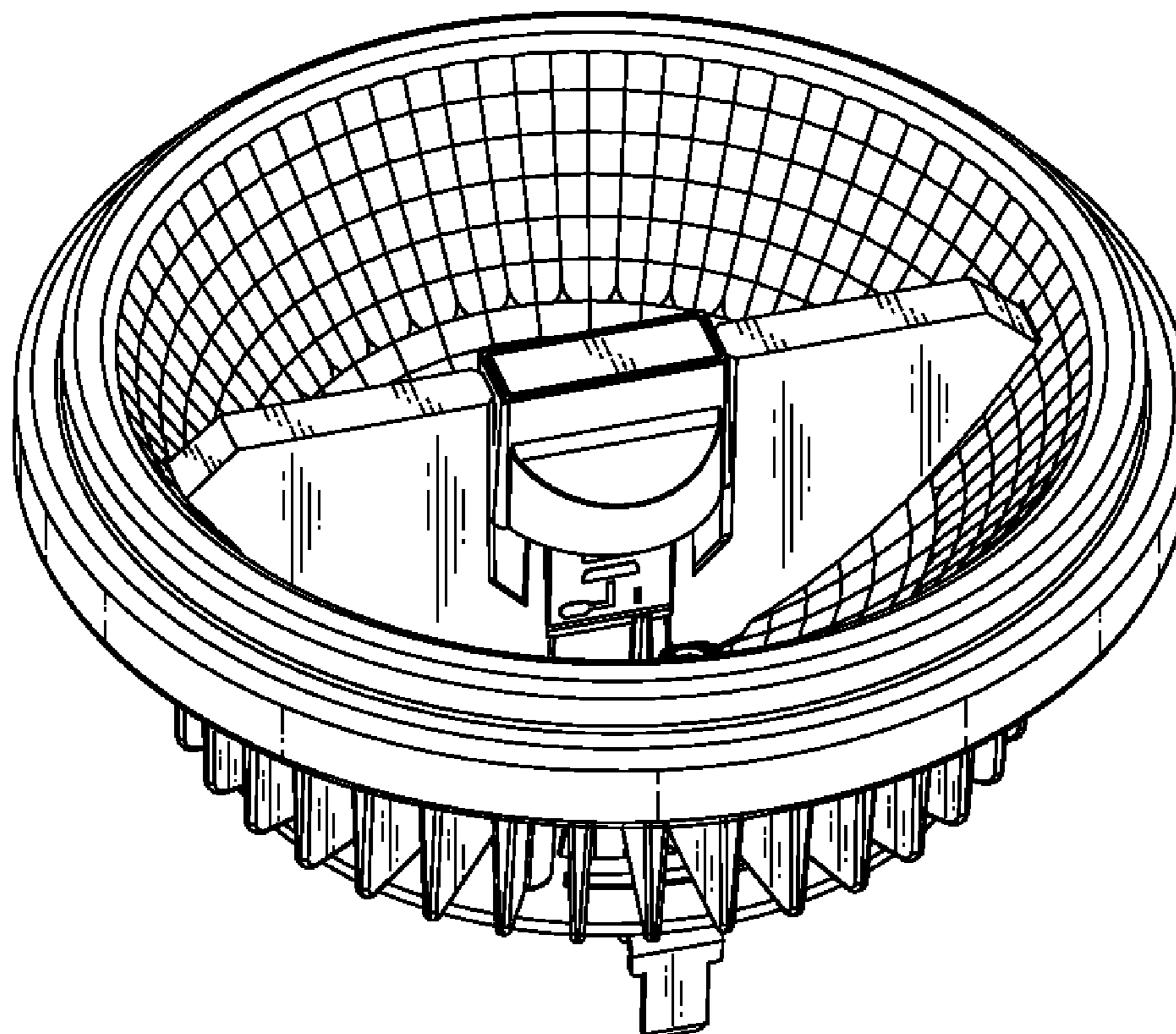
FIG. 1 is a front view of the lamp, showing the new design;  
FIG. 2 is a rear view of the lamp;  
FIG. 3 is a left side view of the lamp;  
FIG. 4 is a right side view of the lamp;  
FIG. 5 is a top plan view of the lamp;  
FIG. 6 is a bottom plan view of the lamp; and,  
FIG. 7 is a perspective view of the lamp.

(56) **References Cited**

**U.S. PATENT DOCUMENTS**

D601,721 S \* 10/2009 Foo ..... D26/2

**1 Claim, 3 Drawing Sheets**



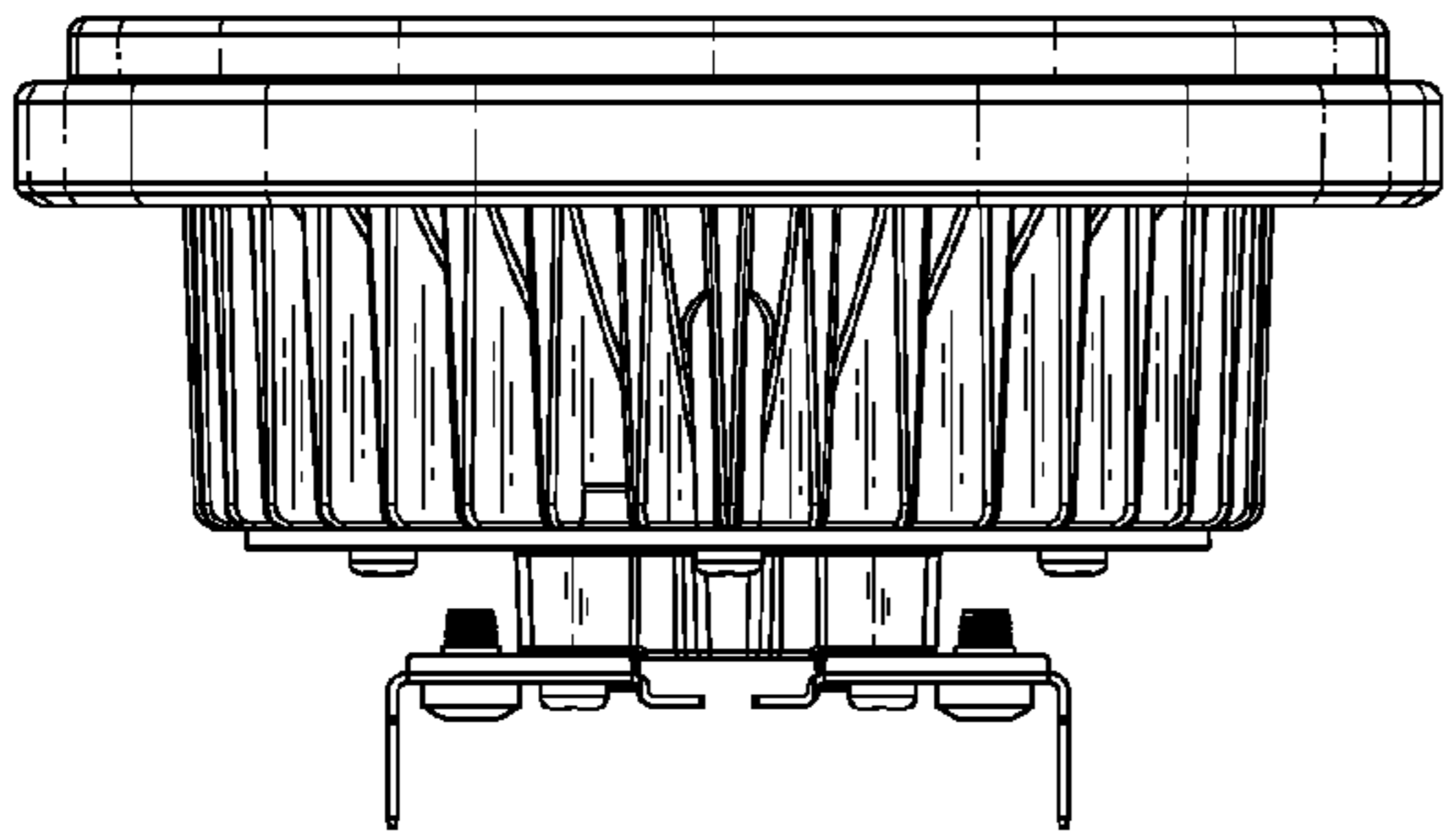


Fig. 1

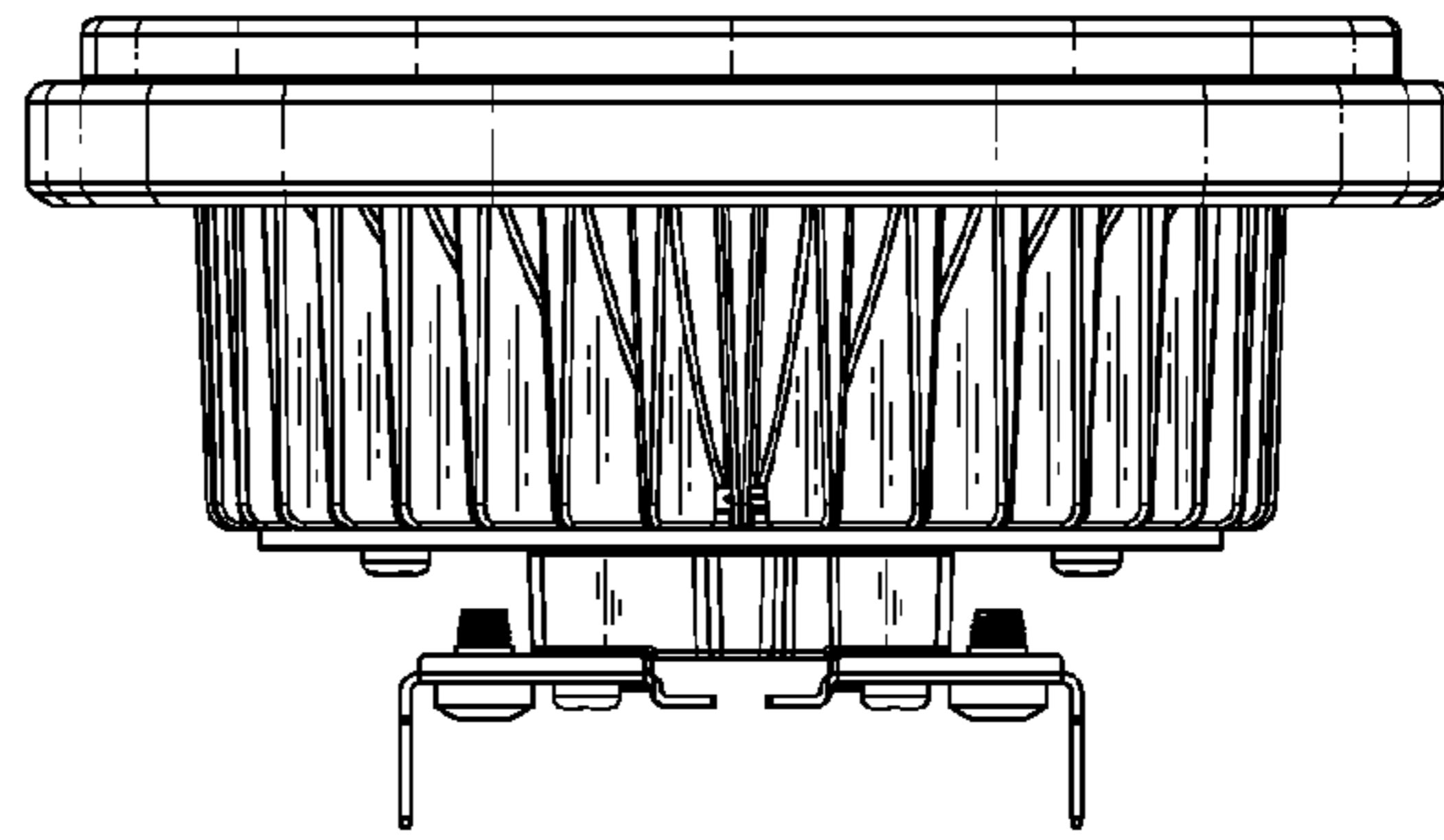


Fig. 2

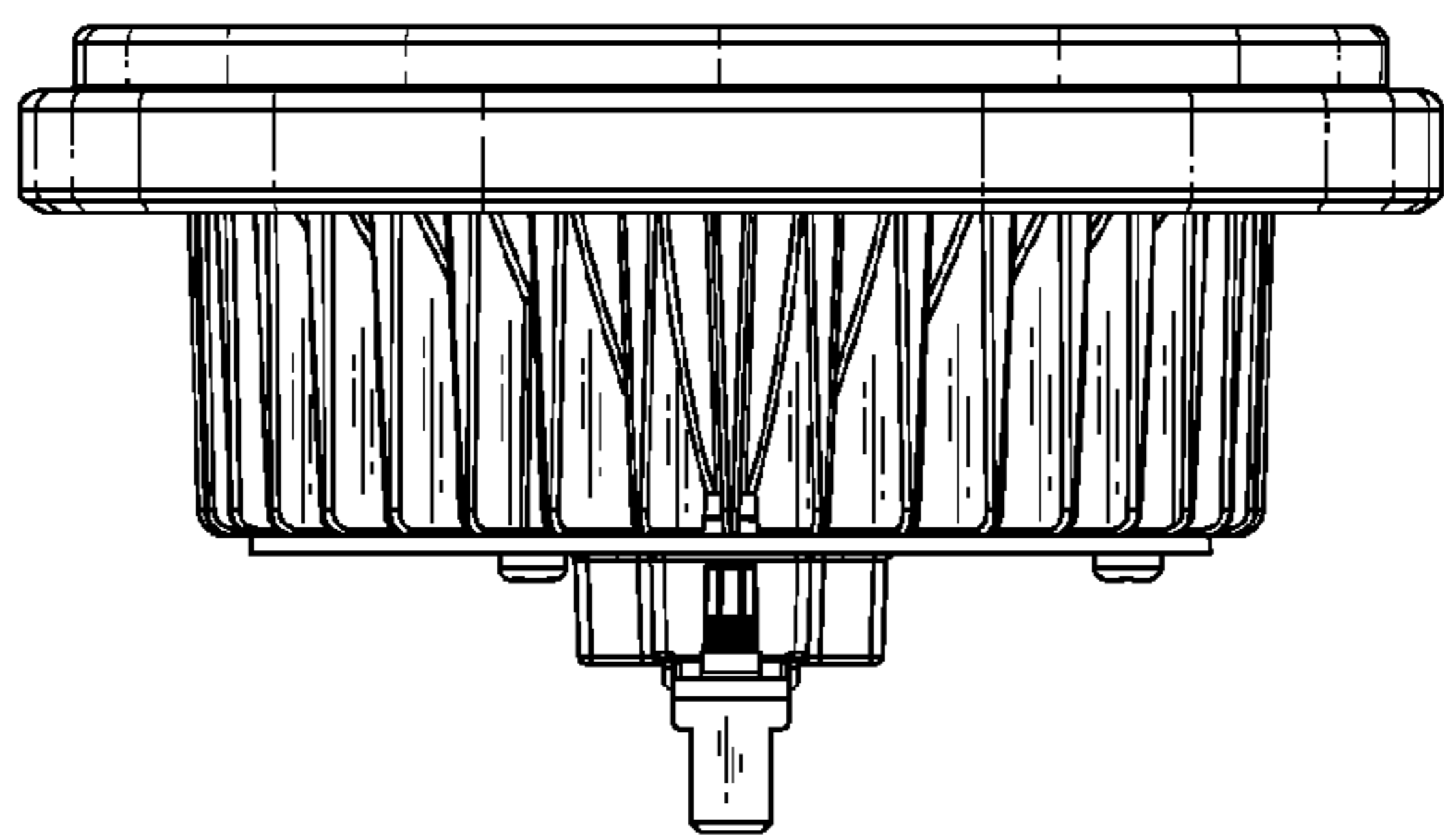


Fig. 3

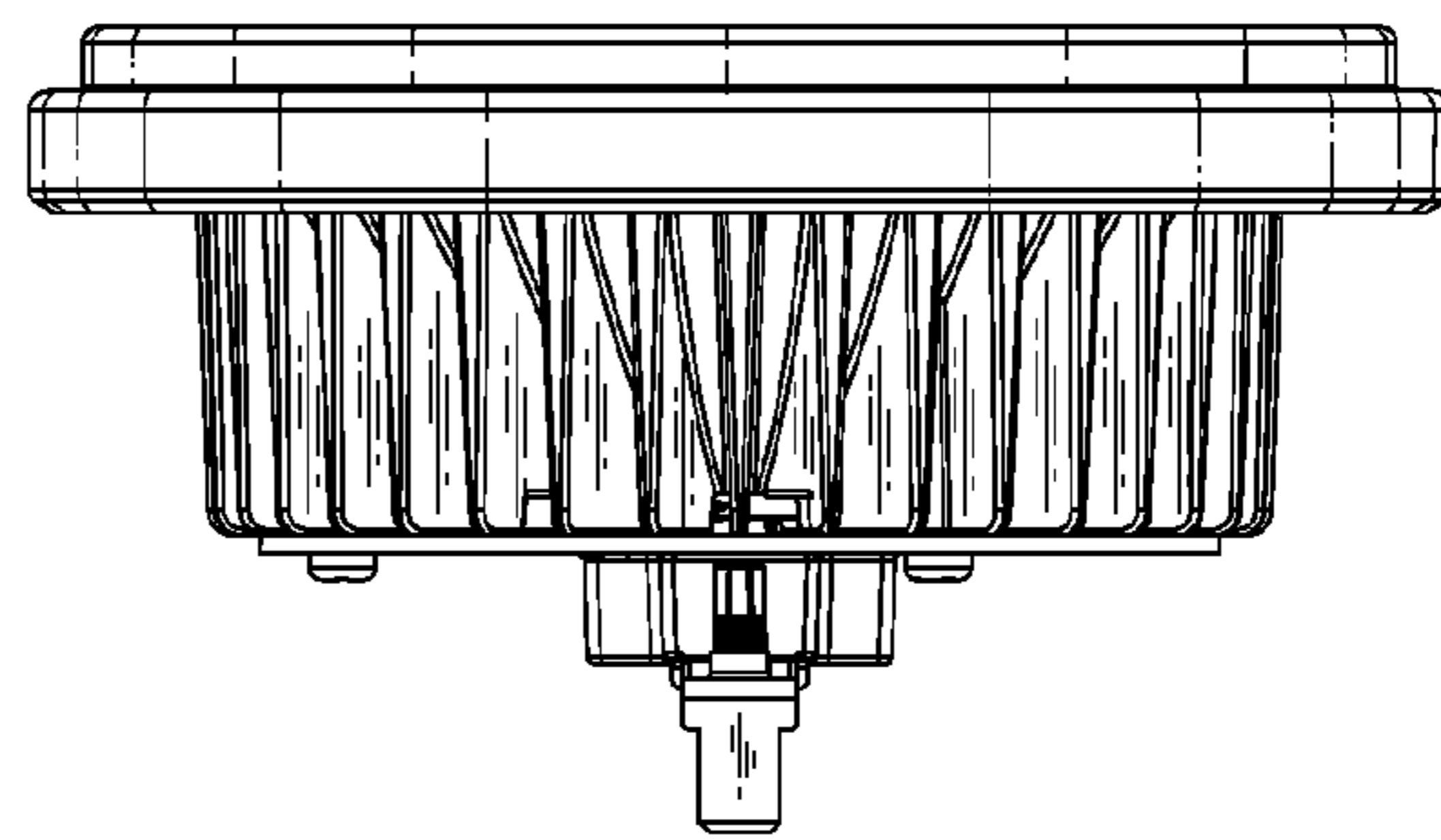


Fig. 4

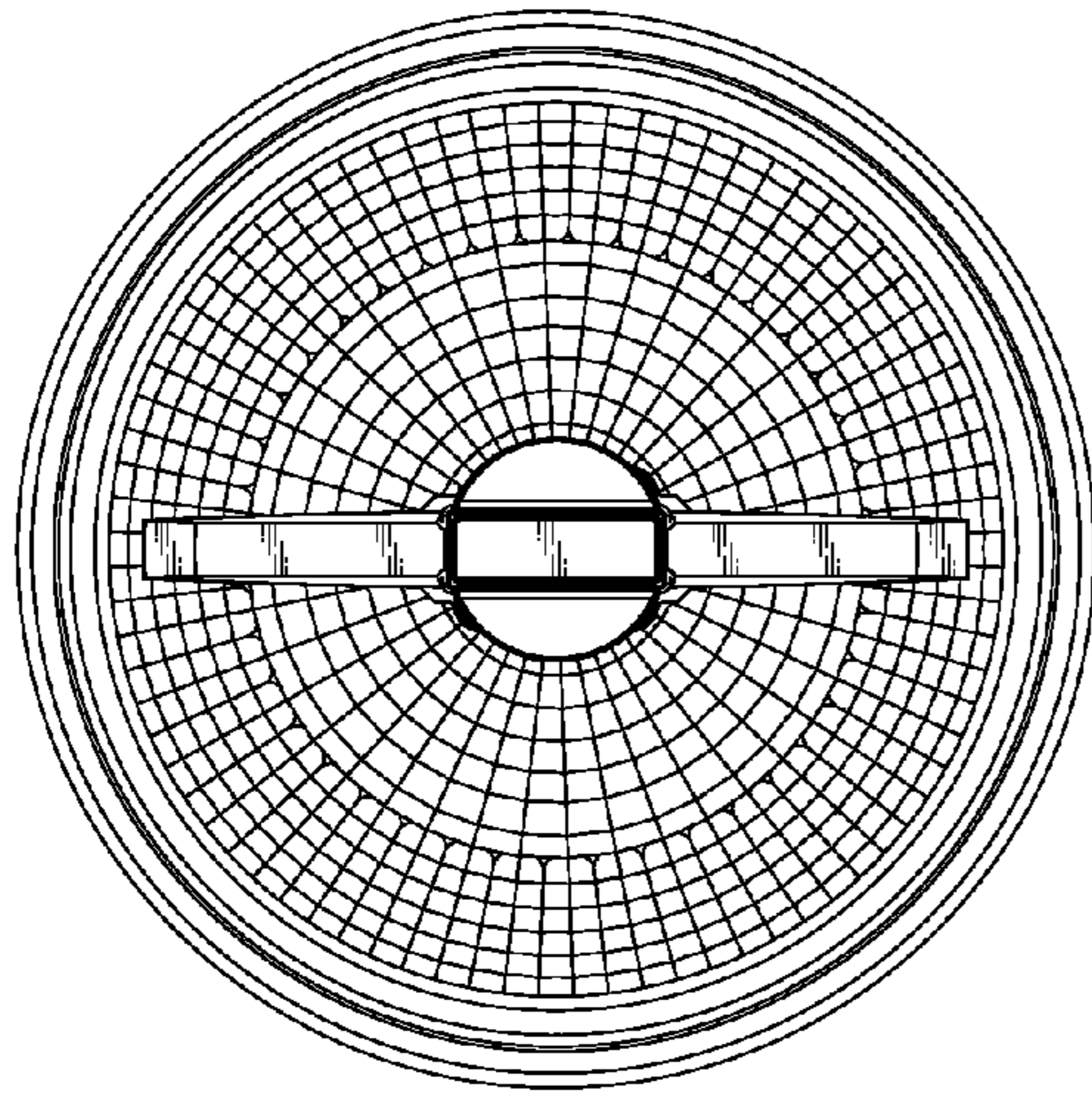


Fig. 5

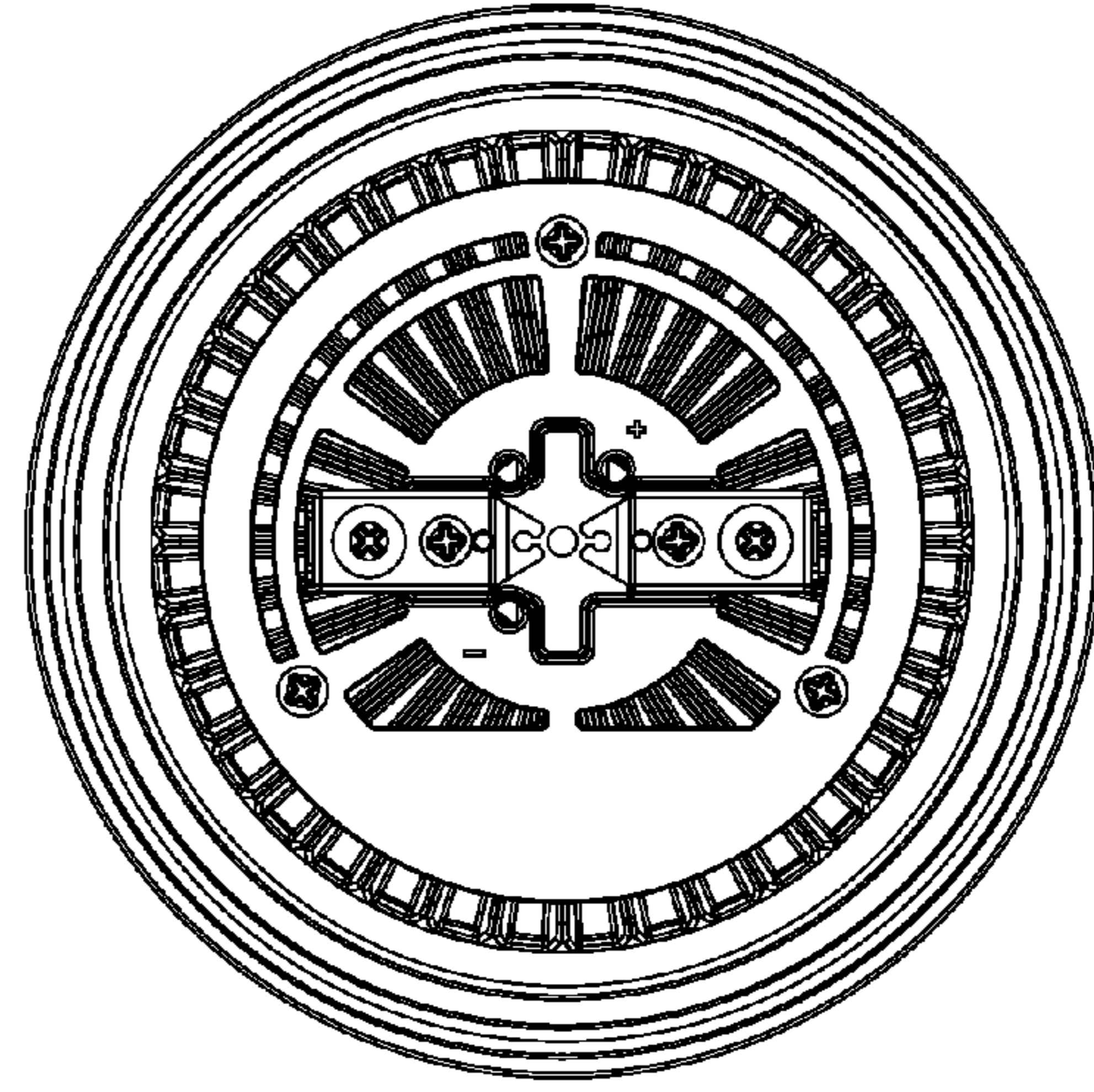


Fig. 6

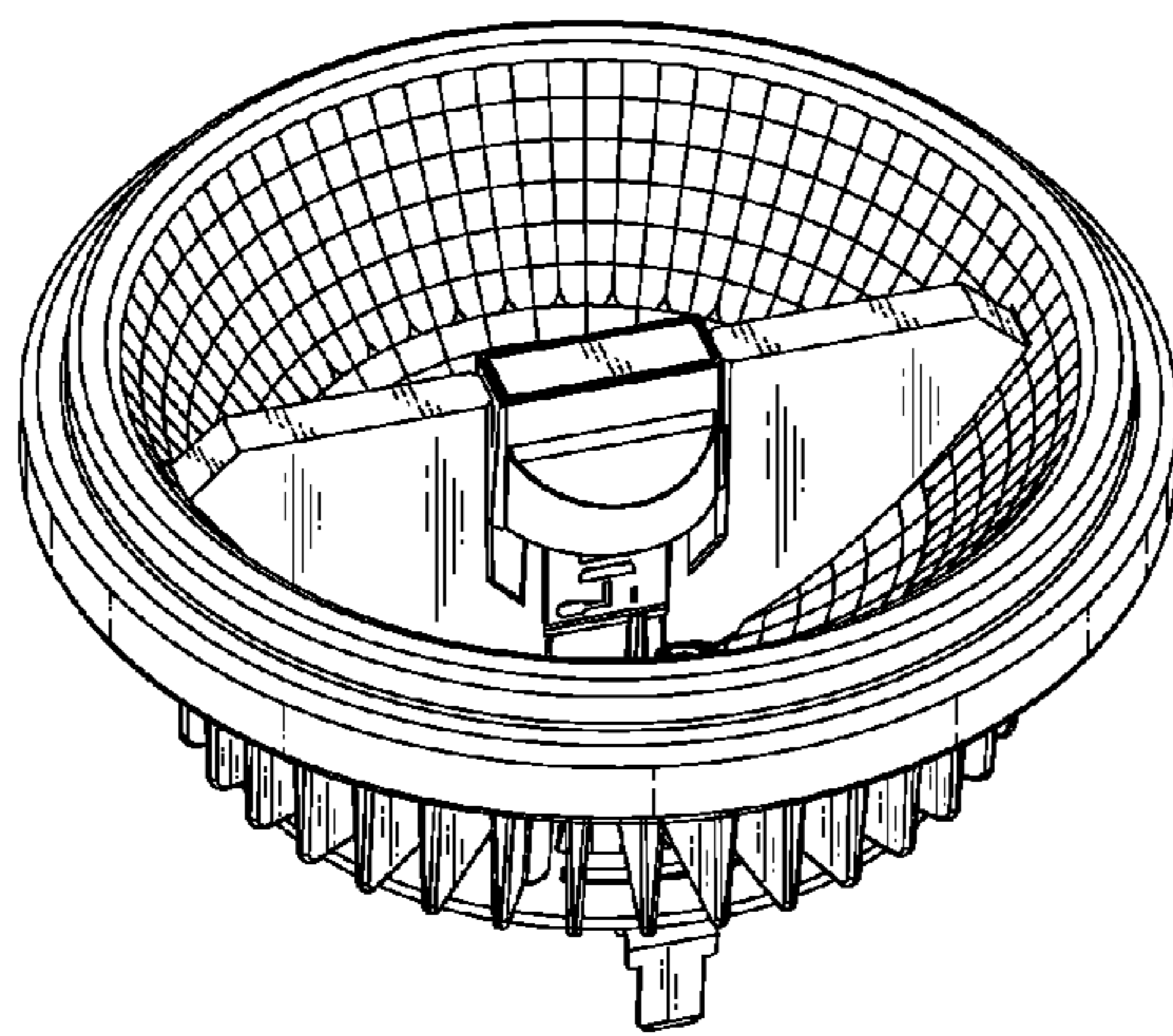


Fig. 7