



US00D623768S

(12) **United States Design Patent**  
**Antonic**

(10) **Patent No.:** **US D623,768 S**

(45) **Date of Patent:** **\*\* Sep. 14, 2010**

(54) **END CAP**

(57) **CLAIM**

(76) **Inventor:** **James P. Antonic**, 9111 Southmont  
Cove, #406, Ft. Myers, FL (US) 33908

I claim the ornamental design for an end cap, as shown and described.

(\*\*) **Term:** **14 Years**

(21) **Appl. No.:** **29/348,313**

**DESCRIPTION**

(22) **Filed:** **Dec. 18, 2009**

(51) **LOC (9) Cl.** ..... **25-01**

(52) **U.S. Cl.** ..... **D25/121**

(58) **Field of Classification Search** ..... D25/121,  
D25/136, 164, 119; 52/281, 282.2, 282.3,  
52/460, 461, 479, 481.1, 220.1, 716.1, 243,  
52/718.01, 718.04, 717.06, 718.05, 718.06,  
52/318, 290, 579, 311.1, 241, 311.2, 311.3,  
52/314, 236.9, 344, 465, 481.2

See application file for complete search history.

FIG. 1 is a back/bottom/left perspective view of a first embodiment of the new design, shown broken in the center with a double line to indicate that no particular length is claimed.

FIG. 2 is a top view of the design shown in FIG. 1. The bottom view is identical to the top view.

FIG. 3 is a left side view of the design shown in FIG. 1. The right side view is the mirror image of the left side view.

FIG. 4 is a front view of the design shown in FIG. 1.

FIG. 5 is a back view of the design shown in FIG. 1.

FIG. 6 is a back/bottom/left perspective view of a second embodiment of the new design, shown broken in the center with a double line to indicate that no particular length is claimed.

FIG. 7 is a top view of the design shown in FIG. 5. The bottom view is identical to the top view.

FIG. 8 is a left side view of the design shown in FIG. 5. The right side view is the mirror image of the left side view.

FIG. 9 is a front view of the design shown in FIG. 5; and,

FIG. 10 is a back view of the design shown in FIG. 5.

The double lines shown in FIGS. 1 and 6 form no part of the claimed design. In addition, the shading lines shown in all of the drawings represent the approximate three-dimensional contour of the design, and thus are not intended to indicate surface decoration.

(56) **References Cited**

**U.S. PATENT DOCUMENTS**

1,085,429 A 1/1914 Kahn et al.  
1,609,541 A 12/1926 Gooding  
1,958,124 A 5/1934 Bemis

(Continued)

**FOREIGN PATENT DOCUMENTS**

FR 281823 12/2005

(Continued)

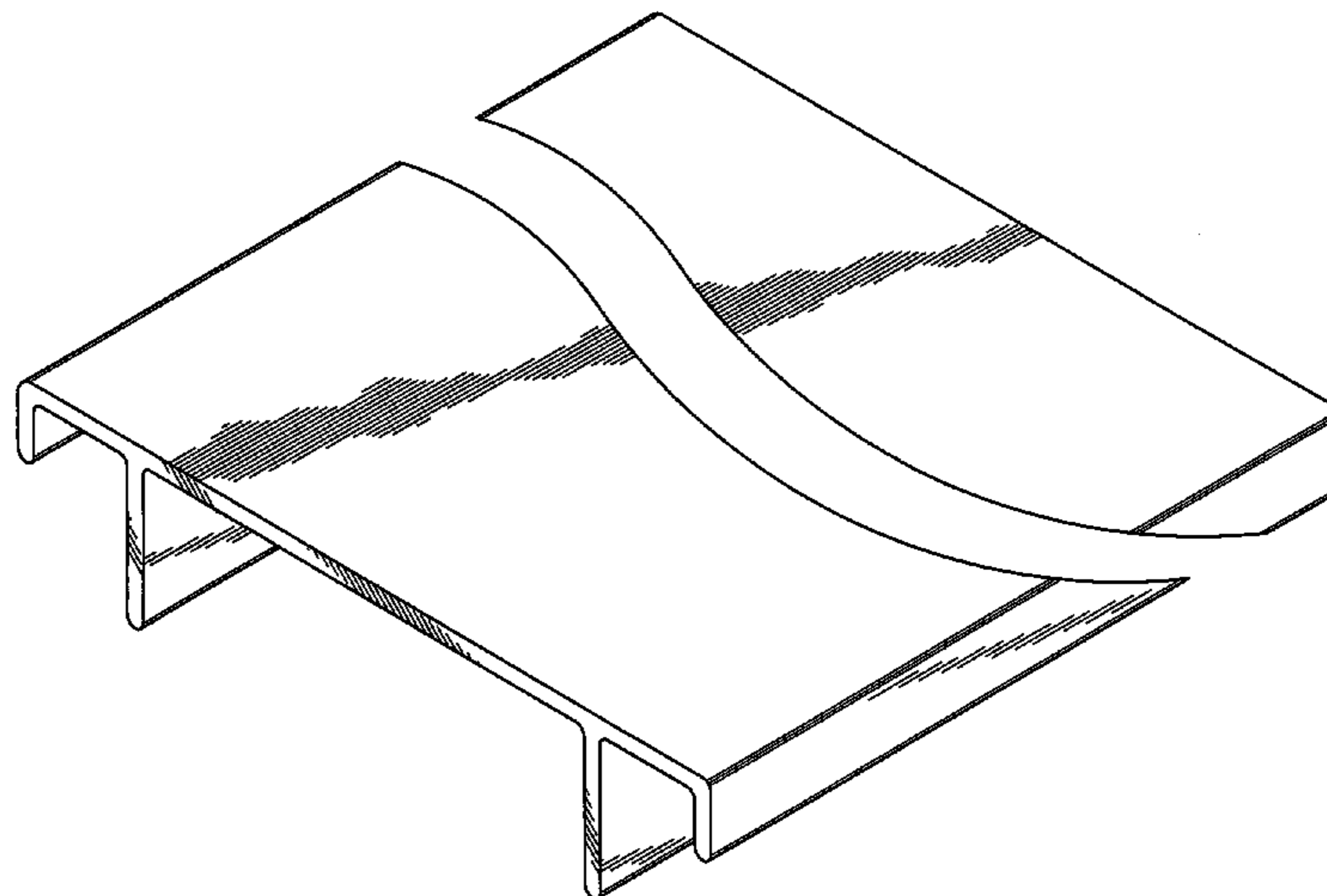
**OTHER PUBLICATIONS**

European Search Report for EPO Application No. 07750810.9 (Mar. 3, 2010) (8 pages).

*Primary Examiner*—Doris Clark

(74) *Attorney, Agent, or Firm*—Laura G. Barrow

**1 Claim, 4 Drawing Sheets**



# US D623,768 S

Page 2

U.S. PATENT DOCUMENTS					
1,959,135 A	5/1934	Miller	D377,598 S	1/1997	Beard, Jr.
2,142,523 A	1/1939	McLaughlin, Jr.	5,592,794 A	1/1997	Tundaun
2,256,394 A	9/1941	Lamel	D378,422 S	3/1997	Howe
2,380,834 A	6/1942	Goldman	5,611,173 A	3/1997	Headrick et al.
2,356,309 A	8/1944	Garbe	5,644,888 A	7/1997	Johnson
2,363,164 A	11/1944	Waller	D384,169 S	9/1997	Leonelli
2,406,501 A	8/1946	Kratzmaier	5,664,388 A	9/1997	Chapman et al.
2,731,116 A	1/1956	Hamilton	5,678,797 A	10/1997	Grogan
3,184,013 A	5/1965	Paviecka	5,706,620 A	1/1998	De Zen
3,310,926 A	3/1967	Brandreth	5,706,626 A	1/1998	Mueller
3,332,188 A	7/1967	Schaefer	5,735,090 A	4/1998	Papke
3,363,371 A	1/1968	Villalobos	5,755,064 A	5/1998	Meyer et al.
3,498,014 A	3/1970	Fergen	5,758,466 A	6/1998	Tucker
3,533,205 A	10/1970	Pastel et al.	5,794,746 A	8/1998	Ketonen et al.
3,593,475 A	7/1971	LaGue	5,797,233 A	8/1998	Hascall
3,623,290 A	11/1971	Downing, Jr.	5,799,454 A	9/1998	Andersson
3,630,474 A	12/1971	Minor	5,802,798 A	9/1998	Martens
3,685,222 A	8/1972	Curtess	D400,080 S	10/1998	Beard, Jr.
3,821,868 A	7/1974	Edwards	5,837,363 A	11/1998	Colafati
3,877,194 A	4/1975	Matuschek et al.	5,848,512 A	12/1998	Conn
3,989,399 A *	11/1976	Slowbe ..... 403/245	D407,828 S	4/1999	Hart
4,047,355 A	9/1977	Knorr	5,927,039 A	7/1999	De Boer
4,107,893 A	8/1978	Rensch	5,930,968 A	8/1999	Pullam
4,124,186 A	11/1978	Call, Sr.	5,950,385 A	9/1999	Herren
4,151,030 A	4/1979	Hensel	D417,737 S *	12/1999	Stansfield ..... D25/121
4,154,030 A	5/1979	Huguet	6,003,279 A	12/1999	Schneider
4,186,539 A	2/1980	Harmon et al.	6,023,898 A	2/2000	Josey
4,199,908 A	4/1980	Teeters	D423,690 S	4/2000	Grosfillex
D256,663 S	9/1980	Gilb	6,067,769 A	5/2000	Hardy
4,235,054 A	11/1980	Cable	D428,162 S *	7/2000	Eyring et al. .... D25/121
4,261,144 A	4/1981	Rizzo	6,092,340 A	7/2000	Simmons
4,272,930 A	6/1981	Foster	D432,671 S	10/2000	Grosfillex
4,285,184 A	8/1981	Turner, Jr.	6,216,395 B1	4/2001	Kelly
4,299,202 A	11/1981	Mayo et al.	6,223,494 B1	5/2001	Bright
4,324,082 A	4/1982	Rutkowski et al.	D443,810 S	6/2001	Ausilio
4,353,192 A	10/1982	Pearson et al.	D445,921 S	7/2001	Eyring
4,370,838 A	2/1983	Vermillion	6,256,960 B1	7/2001	Babcock et al.
D268,288 S	3/1983	Cowdroy	6,260,601 B1	7/2001	Thomas
4,542,614 A	9/1985	Malachowski	D446,870 S	8/2001	Gardner
D283,352 S	4/1986	Bancroft	6,272,796 B1	8/2001	Metzler
4,612,744 A	9/1986	Shamash	6,276,094 B1	8/2001	Hays
D286,199 S	10/1986	Bancroft	D447,574 S	9/2001	Fening
4,630,547 A	12/1986	Przybylinski et al.	D448,495 S *	9/2001	Lamberts ..... D25/121
4,638,606 A	1/1987	Wendt	6,298,612 B1	10/2001	Adams
4,660,339 A	4/1987	Paz	6,314,704 B1	11/2001	Bryant
4,689,930 A	9/1987	Menchetti	D452,016 S	12/2001	Hall
4,714,372 A	12/1987	Commins	6,336,298 B1	1/2002	Chou
4,744,192 A	5/1988	Commins	6,341,458 B1	1/2002	Burt
D297,502 S	9/1988	Archambeau	6,415,580 B2	7/2002	Ojala
4,812,075 A	3/1989	Lavin, Sr.	6,427,403 B1	8/2002	Tambakis
D318,130 S	7/1991	Abbestam et al.	6,438,903 B1	8/2002	Weiss
5,069,263 A	12/1991	Edwards	D465,586 S	11/2002	Krieger
5,070,667 A	12/1991	Schulte	6,519,911 B1	2/2003	Sawada
5,081,813 A	1/1992	White	D473,123 S	4/2003	Anderson
5,092,100 A	3/1992	Lambert et al.	D473,955 S	4/2003	Gregori
D330,432 S	10/1992	Weinerman	6,553,731 B2	4/2003	Hsueh
D331,469 S	12/1992	McMarlin	D474,286 S	5/2003	Gregori
5,260,525 A	11/1993	Morse	D474,549 S	5/2003	Krieger
D342,662 S	12/1993	Lavin, Sr.	6,581,337 B1	6/2003	Skov et al.
D349,166 S	7/1994	Beard, Jr.	6,655,096 B1	12/2003	Pryor
5,339,798 A	8/1994	Christian	6,684,573 B2	2/2004	Heath et al.
5,390,460 A	2/1995	Llorens	6,739,562 B2	5/2004	Rice
5,394,665 A	3/1995	Johnson	6,754,999 B1	6/2004	Urbanczyk
5,403,062 A	4/1995	Sjostedt et al.	D492,889 S	7/2004	Craine
D358,755 S	5/1995	Davis	6,789,358 B2	9/2004	Procton et al.
5,423,156 A	6/1995	Nellessen, Jr.	6,802,169 B2	10/2004	Simmons
D363,997 S	11/1995	Nomura	6,834,468 B1	12/2004	Kroie
D364,331 S	11/1995	Leek	D500,667 S	1/2005	Murphy et al.
D371,208 S	6/1996	De Zen	6,837,012 B2	1/2005	Scherrer et al.
D371,505 S	7/1996	Young	6,837,019 B2	1/2005	Collie
5,561,955 A	10/1996	Frobosilo et al.	6,931,796 B2	8/2005	Adriaansen et al.
			D511,086 S	11/2005	Craine
			D511,217 S	11/2005	Bullock et al.

# US D623,768 S

Page 3

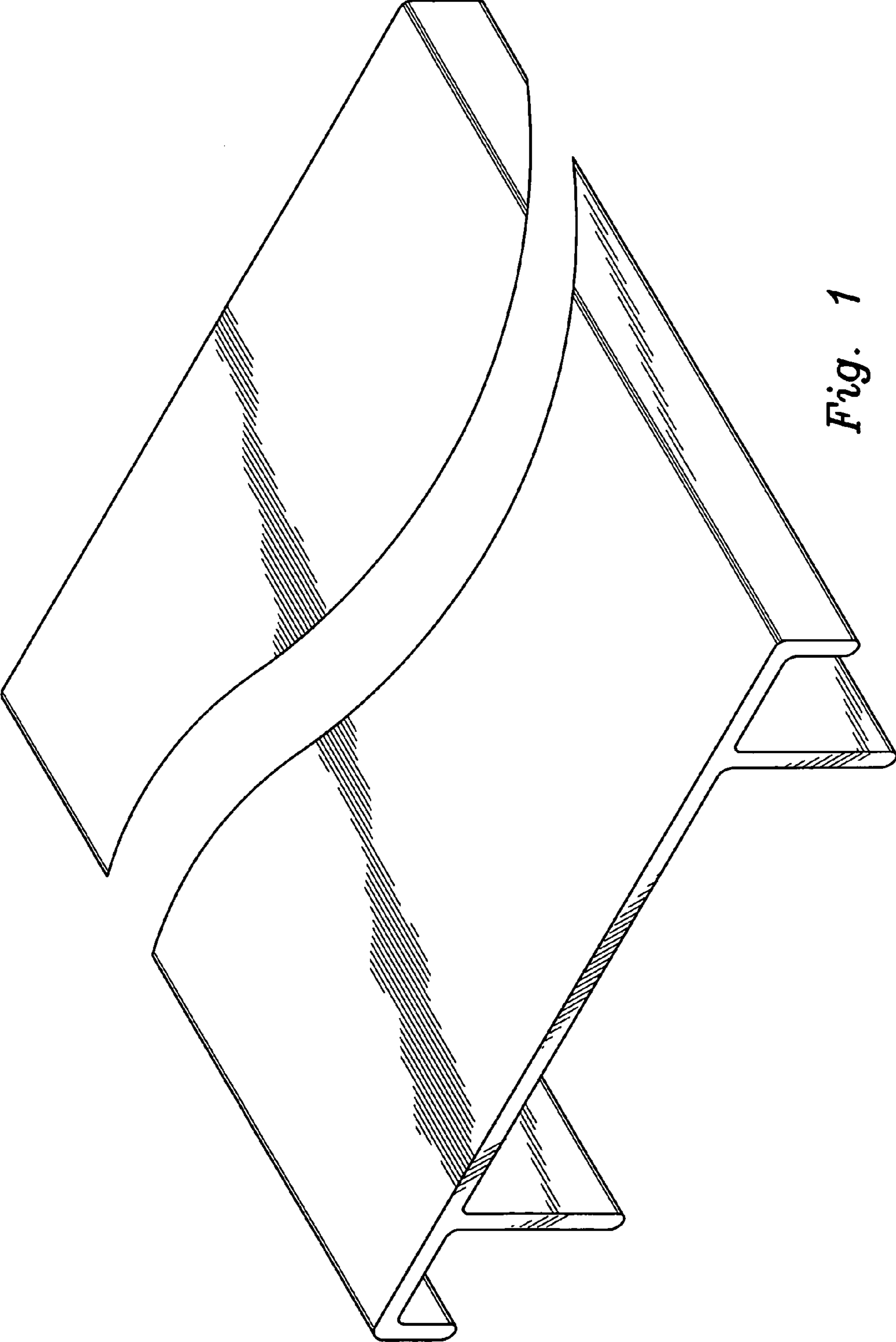
---

D523,565 S	6/2006	Antonic	7,513,082 B2	4/2009	Johnson
D523,735 S	6/2006	Craine	D606,384 S	12/2009	Antonic
7,086,204 B2	8/2006	Salzer	2002/0066245 A1	6/2002	Pryor
D537,537 S	2/2007	Antonic	2002/0069600 A1	6/2002	Bryant
7,178,305 B2	2/2007	Petrova	2002/0092245 A1	7/2002	Floyd et al.
D540,479 S	4/2007	Antonic	2002/0148178 A1	10/2002	Farag
7,207,148 B2 *	4/2007	Surowiecki ..... 52/653.1	2003/0029124 A1	2/2003	Wise
D544,784 S	6/2007	Antonic	2003/0089066 A1	5/2003	Nelson
D549,851 S	8/2007	Antonic	2003/0217521 A1	11/2003	Richardson et al.
D552,947 S	10/2007	Ewasiuk	2004/0068947 A1	4/2004	Commins et al.
D553,261 S	10/2007	Antonic	2004/0107653 A1	6/2004	Collie
D553,761 S	10/2007	Antonic	2004/0163355 A1	8/2004	Collie
D554,273 S	10/2007	Antonic	2004/0227039 A1	11/2004	Real et al.
D554,773 S	11/2007	Antonic	2005/0011157 A1	1/2005	Lutz et al.
D554,774 S	11/2007	Antonic	2006/0026924 A1	2/2006	Madsen
D554,775 S	11/2007	Antonic	2006/0156660 A1	7/2006	Stateson
D555,259 S	11/2007	Antonic	2006/0207209 A1	9/2006	Metroyanis
D555,467 S	11/2007	Pecoraro	2006/0254167 A1	11/2006	Antonic
D557,429 S	12/2007	Bullock	2007/0094992 A1	5/2007	Antonic
D561,353 S	2/2008	Antonic	2007/0193143 A1	7/2007	Antonic
D561,354 S	2/2008	Antonic	2008/0236058 A1	10/2008	Antonic
D561,355 S	2/2008	Antonic			
7,334,377 B2	2/2008	Dubensky et al.			
D574,518 S	8/2008	Antonic			
D574,697 S	8/2008	Green			
D581,253 S	11/2008	Antonic			
D588,440 S	3/2009	Antonic			

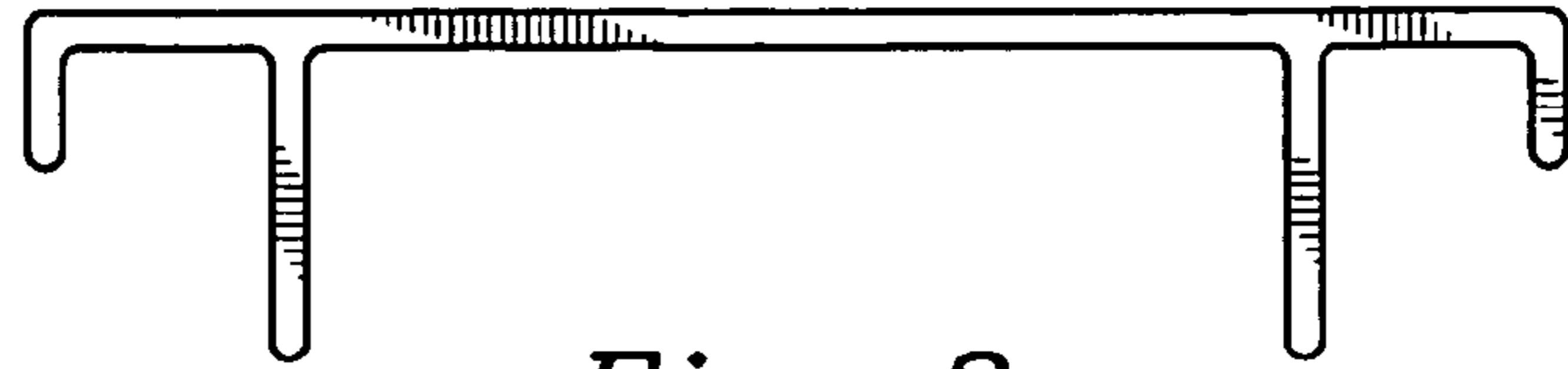
## FOREIGN PATENT DOCUMENTS

GB 507 987 A 6/1939

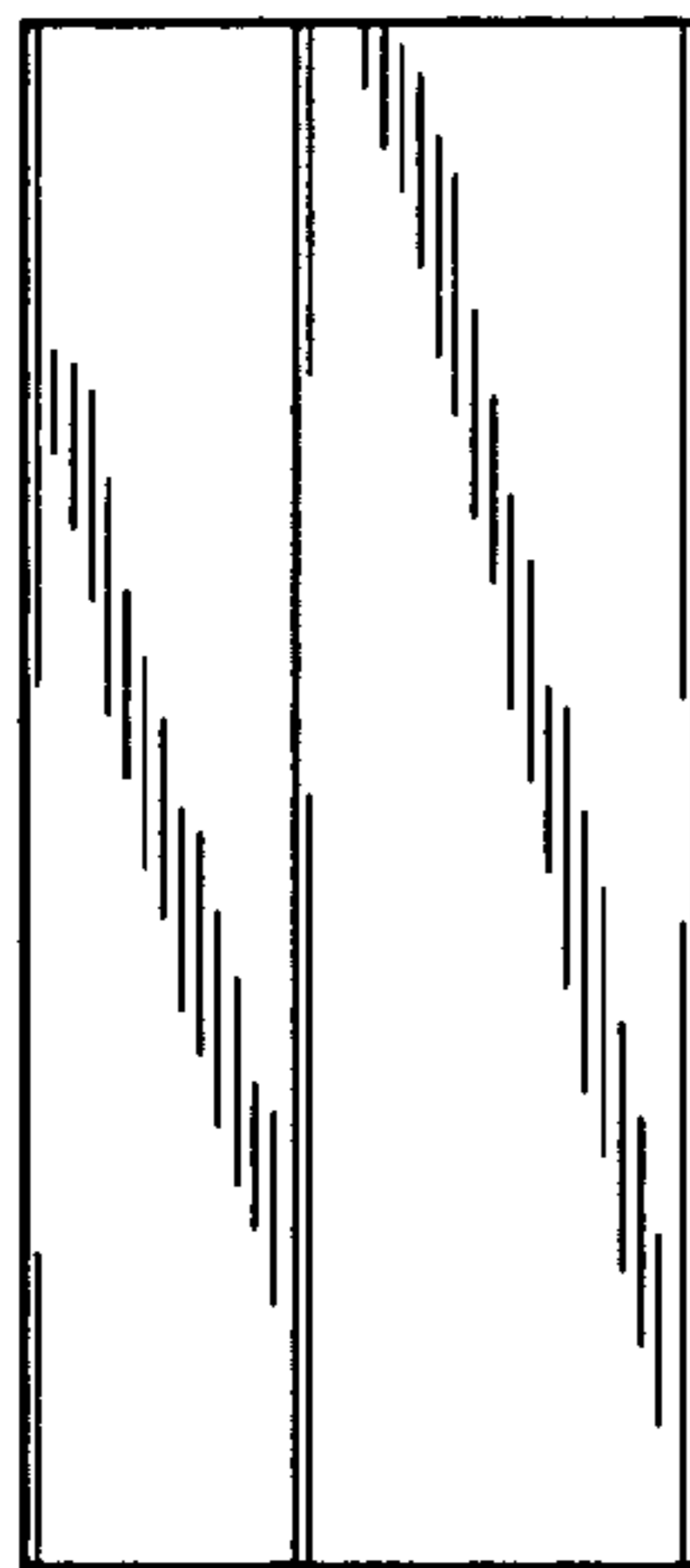
\* cited by examiner



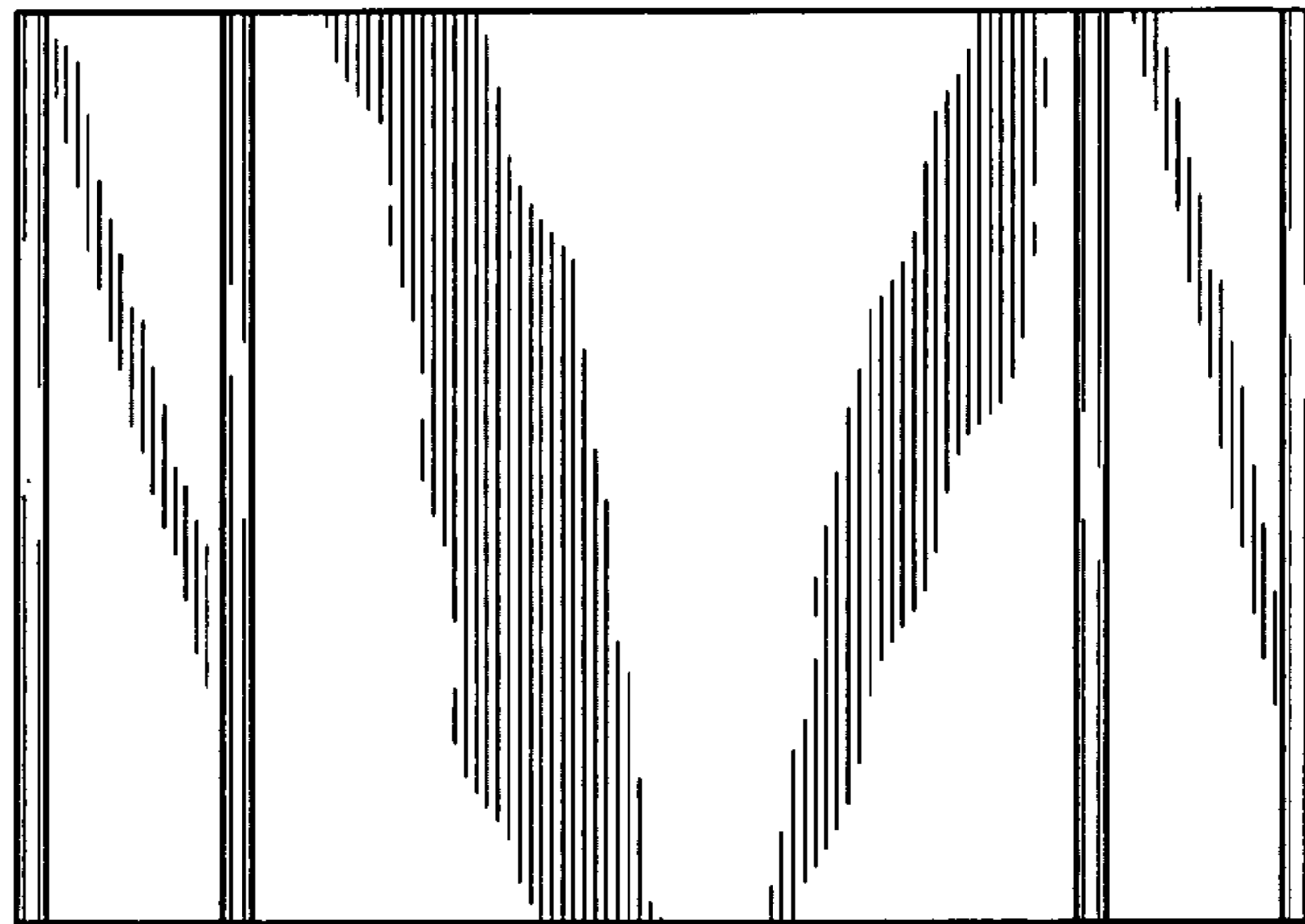
*Fig. 1*



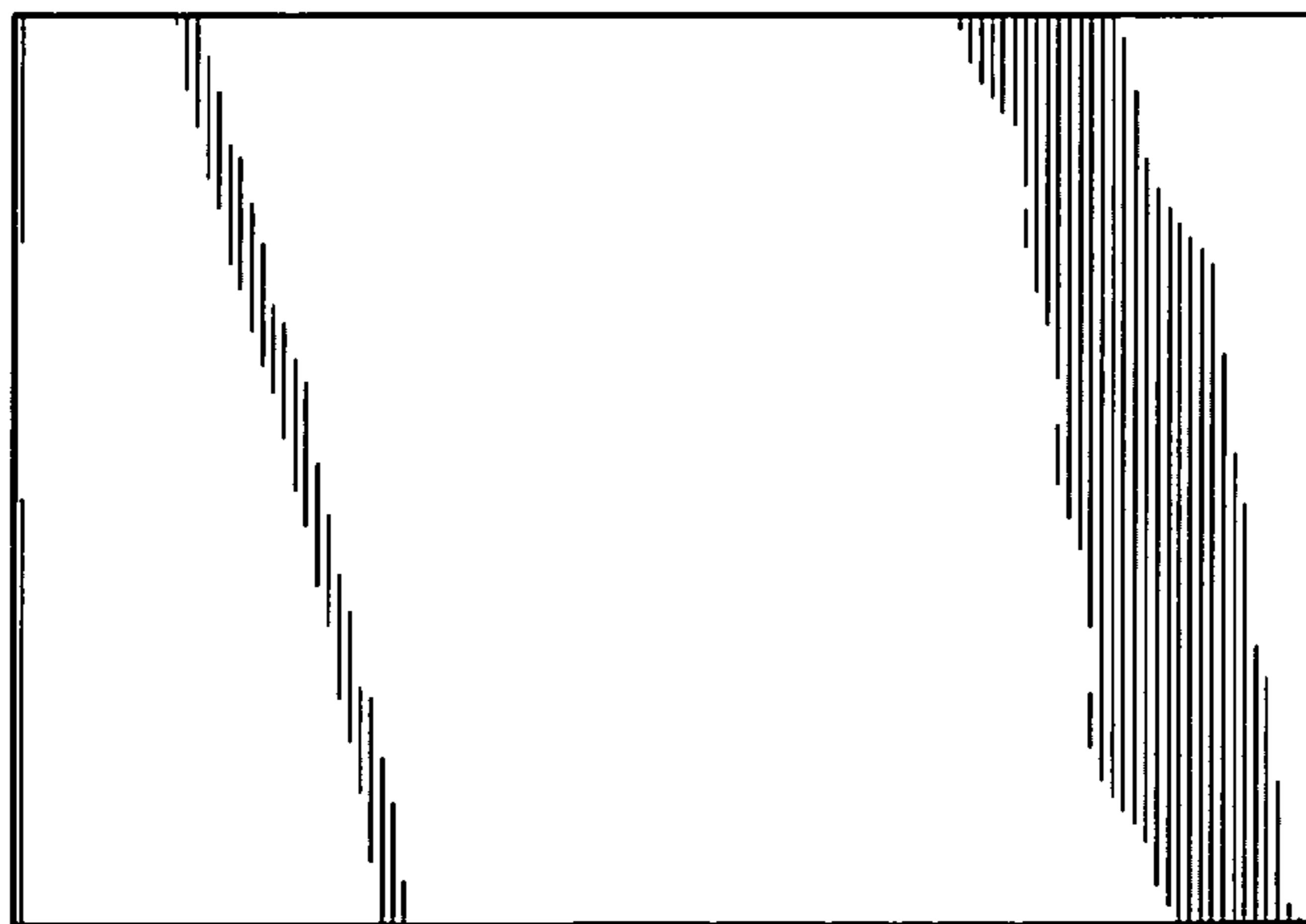
*Fig. 2*



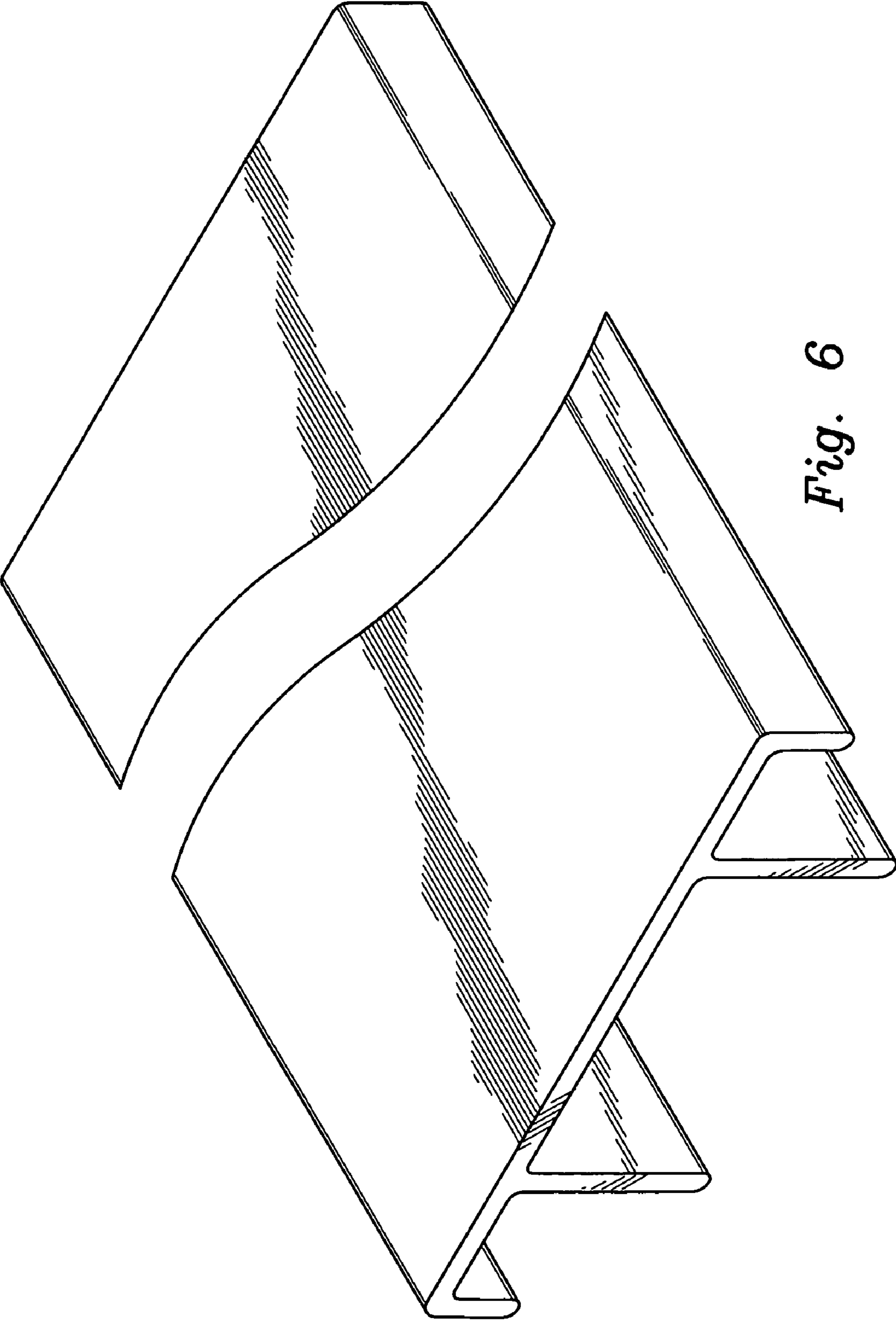
*Fig. 3*



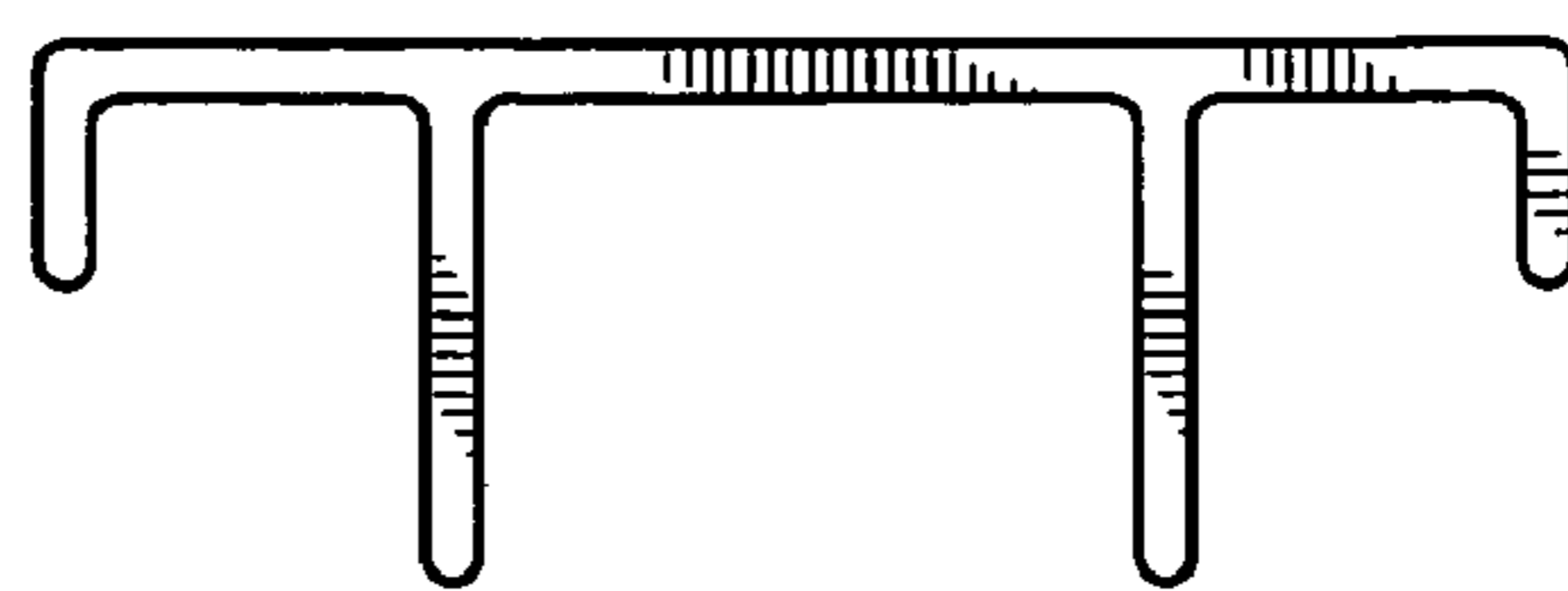
*Fig. 4*



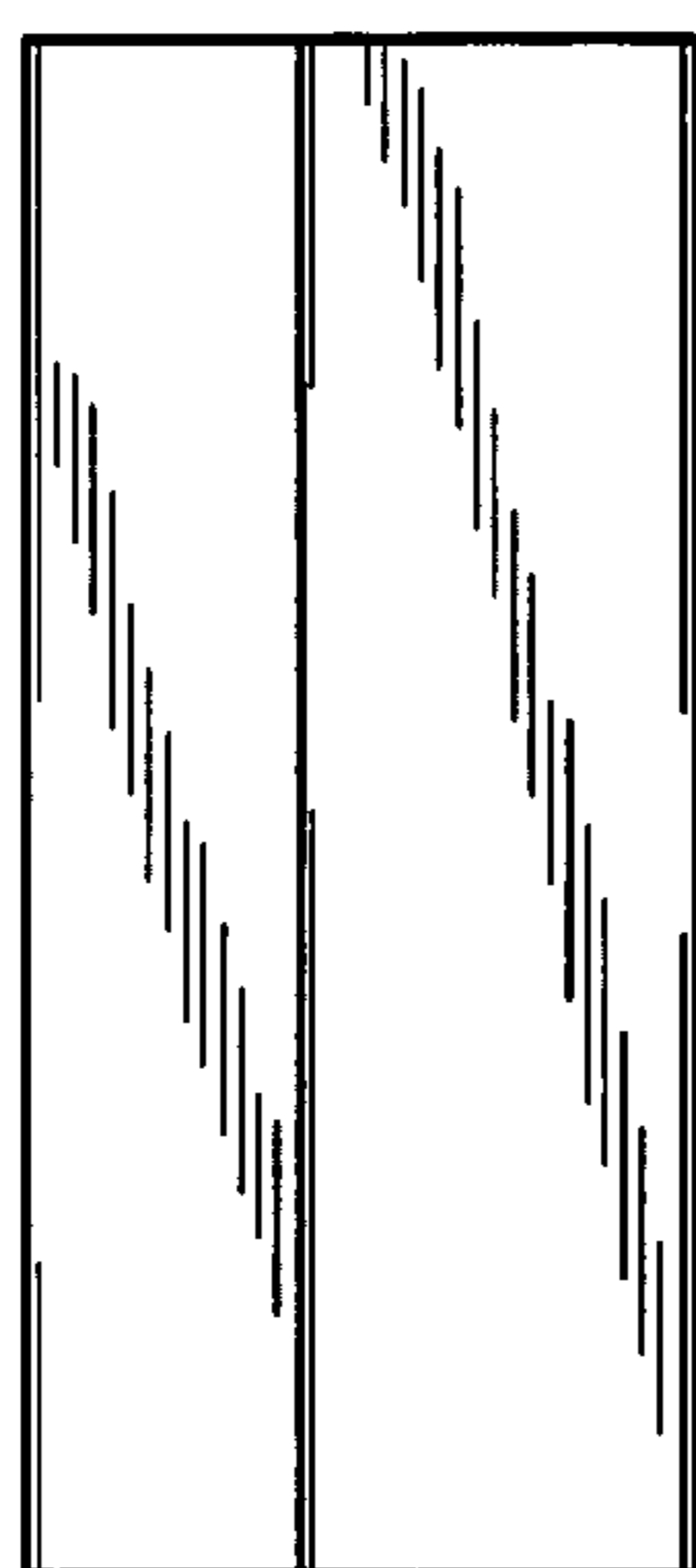
*Fig. 5*



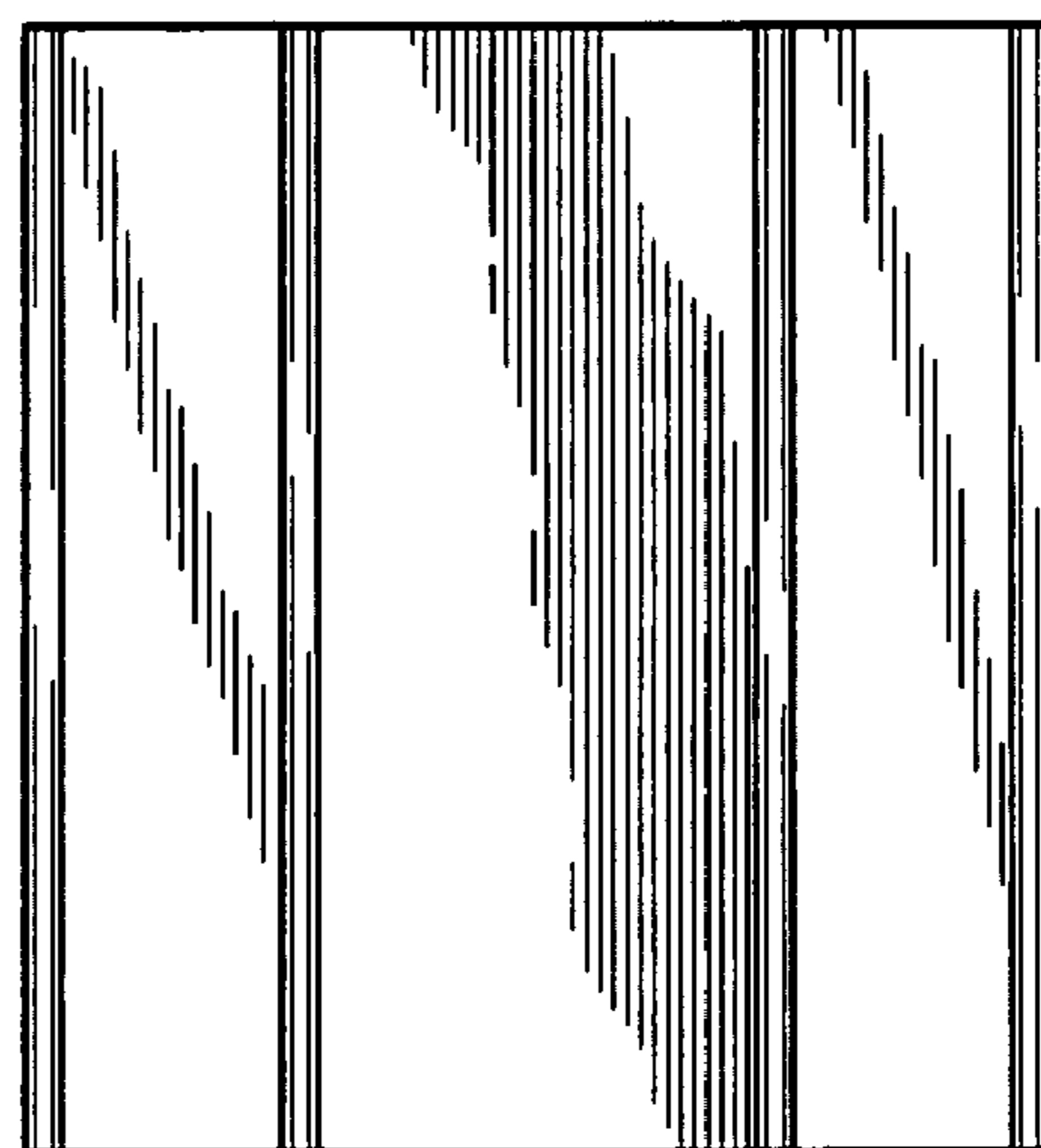
*Fig. 6*



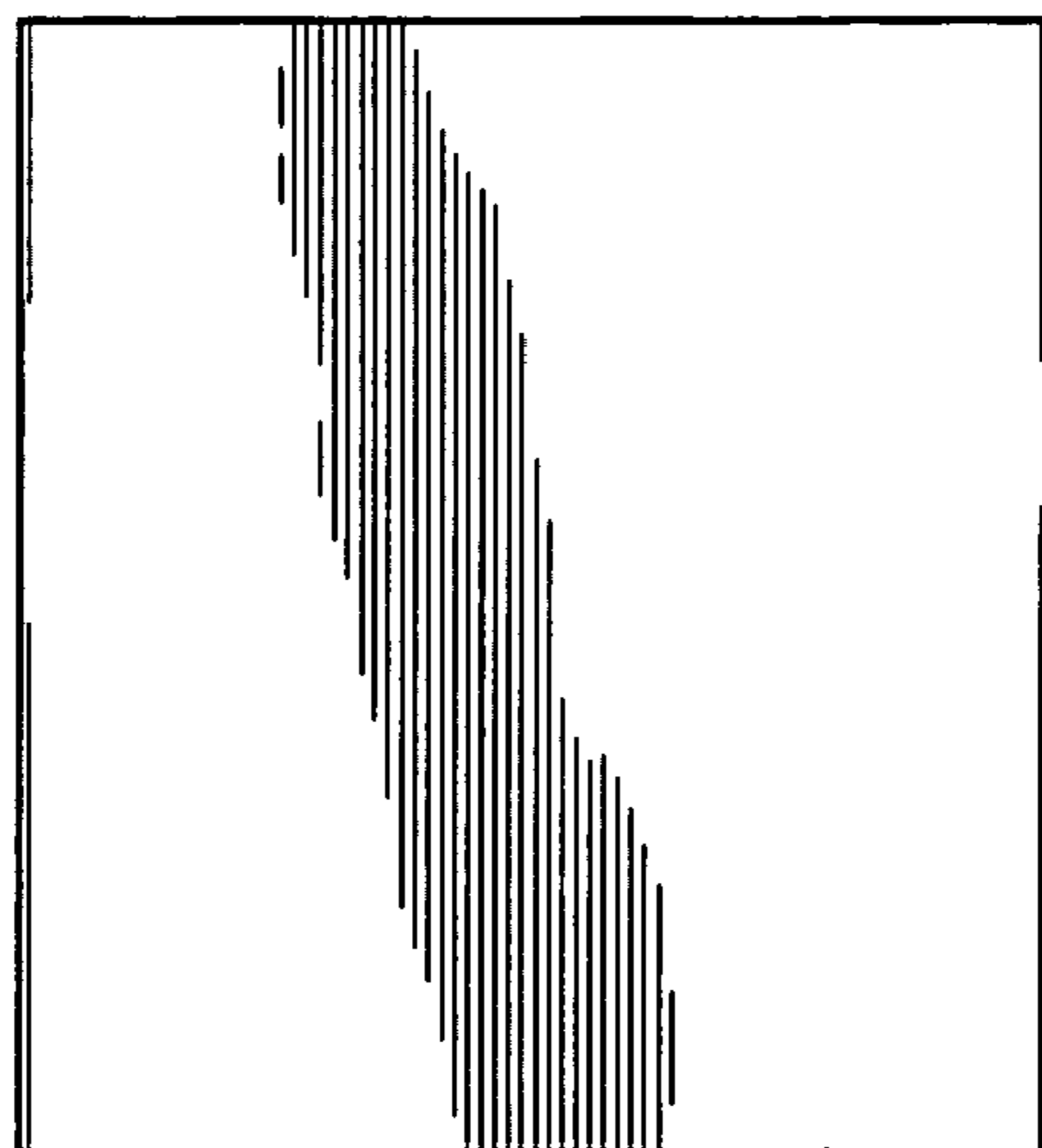
*Fig. 7*



*Fig. 8*



*Fig. 9*



*Fig. 10*