



US00D623767S

(12) **United States Design Patent**  
**Antonic**

(10) **Patent No.:** **US D623,767 S**

(45) **Date of Patent:** **\*\* Sep. 14, 2010**

(54) **SILL PLATE**

3,593,475 A \* 7/1971 LaGue ..... 52/241  
3,623,290 A 11/1971 Downing, Jr.

(76) Inventor: **James P. Antonic**, 9111 Southmont  
Cove, #406, Ft. Myers, FL (US) 33908

(Continued)

(\*\*) Term: **14 Years**

FOREIGN PATENT DOCUMENTS

(21) Appl. No.: **29/315,559**

FR 2871823 12/2005

(22) Filed: **Jul. 6, 2009**

(Continued)

OTHER PUBLICATIONS

**Related U.S. Application Data**

Antonic, J., Corner Brace design patent application (U.S. Appl. No. 29/310,862), including filing receipt, filed Sep. 15, 2009, 12 pages total.

(63) Continuation-in-part of application No. 11/356,482, filed on Feb. 17, 2006.

(Continued)

(51) **LOC (9) Cl.** ..... **25-01**

(52) **U.S. Cl.** ..... **D25/119**

(58) **Field of Classification Search** ..... D25/121,  
D25/136, 164, 119; 52/281, 282.2, 282.3,  
52/460, 461, 479, 481.1, 220.1, 716.1, 243,  
52/718.01, 718.04, 717.06, 718.05, 718.06,  
52/318, 290, 579, 311.1, 241, 311.2, 311.3,  
52/314, 236.9, 344, 465, 481.2

*Primary Examiner*—Doris Clark

(74) *Attorney, Agent, or Firm*—Laura Barrow

See application file for complete search history.

(57) **CLAIM**

I claim the ornamental design of a sill plate, as shown and described.

(56) **References Cited**

**DESCRIPTION**

U.S. PATENT DOCUMENTS

1,085,429 A *	1/1914	Kahn et al.	52/838
1,958,124 A	5/1934	Bemis	
1,959,135 A	5/1934	Miller	
2,142,523 A	1/1939	McLaughlin, Jr.	
2,256,394 A	9/1941	Lamel	
2,356,309 A	8/1944	Garbe	
2,363,164 A	11/1944	Waller	
2,380,834 A	7/1945	Goldman	
2,406,501 A	8/1946	Kratzmaier	
2,731,116 A	1/1956	Hamilton	
3,184,013 A	5/1965	Paylecka	
3,310,926 A	3/1967	Brandreth	
3,332,188 A	7/1967	Schaefer	
3,363,371 A	1/1968	Villalobos	
3,498,014 A	3/1970	Fergen	
3,533,205 A	10/1970	Pestel et al.	

FIG. 1 is a front/right perspective view of the sill plate showing my new design, shown broken in the center with a double line to indicate that no particular length is claimed.

FIG. 2 is a back side elevation view thereof.

FIG. 3 is a front side elevation views thereof.

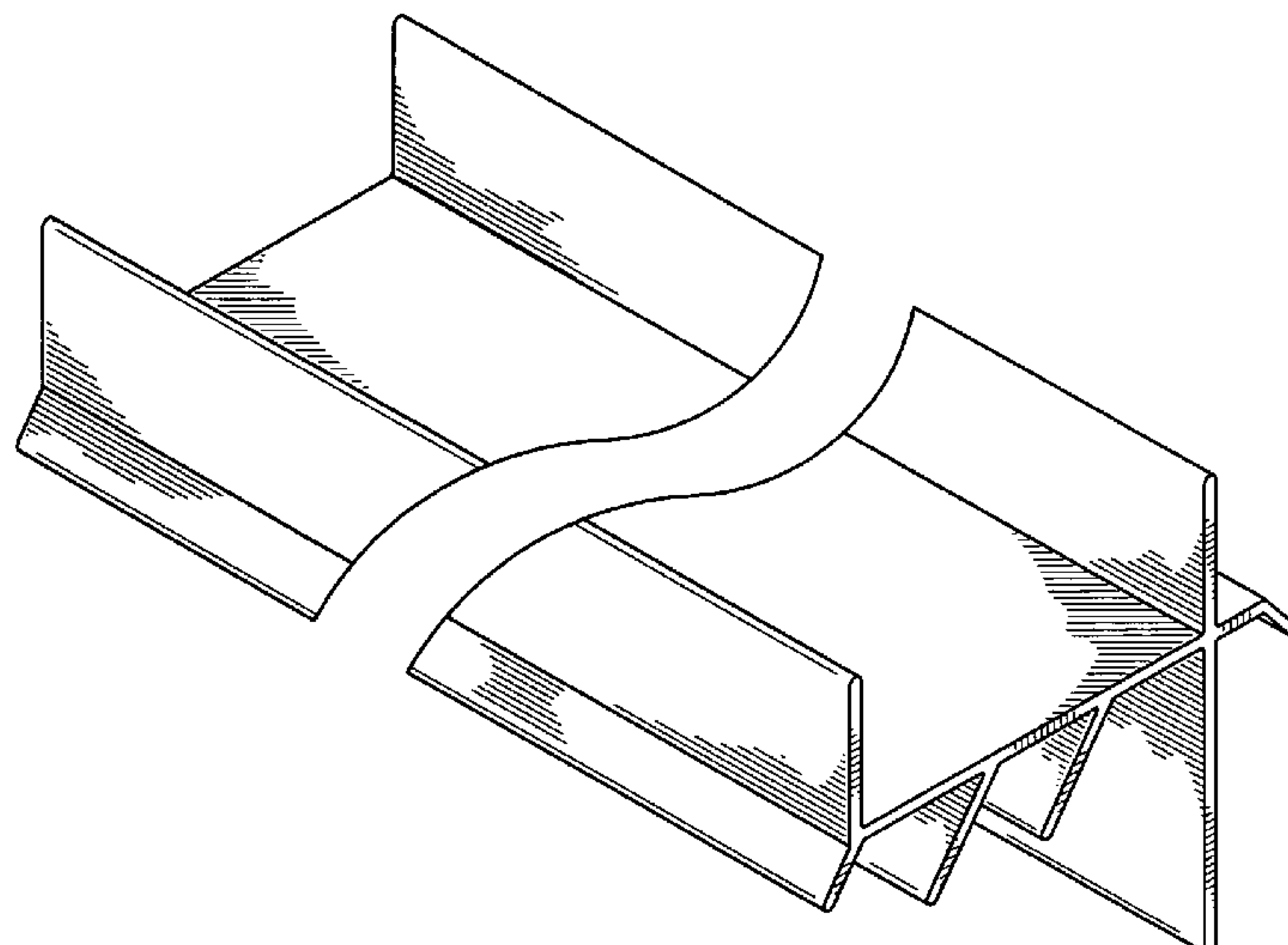
FIG. 4 is a left side elevation view thereof. The right side view is identical to the left side.

FIG. 5 is a top view thereof; and,

FIG. 6 is a bottom view thereof.

In addition, the shading lines shown in all of the drawings represent the approximate three-dimensional contour of the design, and thus are not intended to indicate surface decoration.

**1 Claim, 3 Drawing Sheets**



# US D623,767 S

Page 2

U.S. PATENT DOCUMENTS						
			5,950,385	A	9/1999	Herren
			6,003,279	A	12/1999	Schneider
			6,023,898	A	2/2000	Josey
			D423,690	S	4/2000	Grossfillex
			6,067,769	A	5/2000	Hardy
			6,092,340	A	7/2000	Simmons
			D432,671	S	10/2000	Grossfillex
			6,216,395	B1	4/2001	Kelly
			6,223,494	B1	5/2001	Bright
			D443,810	S	6/2001	Ausilio
			6,256,960	B1	7/2001	Babcock et al.
			6,260,601	B1	7/2001	Thomas
			D446,870	S	8/2001	Gardner
			6,272,796	B1	8/2001	Metzler
			6,276,094	B1	8/2001	Hays
			D447,574	S	9/2001	Fening
			6,298,612	B1	10/2001	Adams
			6,314,704	B1	11/2001	Bryant
			D452,016	S	12/2001	Hall
			6,336,298	B1	1/2002	Chou
			6,341,458	B1	1/2002	Burt
			6,415,580	B2	7/2002	Ojala
			6,427,403	B1	8/2002	Tambakis
			6,438,903	B1	8/2002	Weiss
			D465,586	S	11/2002	Krieger
			6,519,911	B1	2/2003	Sawada
			D473,123	S	4/2003	Anderson
			D473,955	S	4/2003	Gregori
			6,553,731	B2	4/2003	Hsueh
			D474,286	S	5/2003	Gregori
			D474,549	S	5/2003	Krieger
			6,581,337	B1	6/2003	Skov et al.
			6,655,096	B1	12/2003	Pryor
			6,684,573	B2	2/2004	Heath et al.
			6,739,562	B2	5/2004	Rice
			6,754,999	B1	6/2004	Urbanczk
			D492,889	S	7/2004	Craine
			6,789,358	B2	9/2004	Procton et al.
			6,802,169	B2	10/2004	Simmons
			6,834,468	B1	12/2004	Kroie
			D500,667	S	1/2005	Murphy et al.
			6,837,012	B2	1/2005	Scherrer et al.
			6,837,019	B2	1/2005	Collie
			6,931,796	B2	8/2005	Adriaansen et al.
			D511,086	S	11/2005	Craine
			D511,217	S	11/2005	Bullock et al.
			D523,565	S	6/2006	Antonic
			D523,735	S	6/2006	Craine
			7,086,204	B2	8/2006	Salzer
			D537,537	S	2/2007	Antonic
			7,178,305	B2	2/2007	Petrova
			D540,479	S	4/2007	Antonic
			7,207,148	B2	4/2007	Surowiecki
			D544,784	S	6/2007	Antonic
			D549,851	S	8/2007	Antonic
			D552,947	S	10/2007	Ewasiuk
			D553,261	S	10/2007	Antonic
			D553,761	S	10/2007	Antonic
			D554,273	S	10/2007	Antonic
			D554,773	S	11/2007	Antonic
			D554,774	S	11/2007	Antonic
			D554,775	S	11/2007	Antonic
			D555,259	S	11/2007	Antonic
			D555,467	S	11/2007	Pecoraro
			D561,353	S	2/2008	Antonic
			D561,354	S	2/2008	Antonic
			D561,355	S	2/2008	Antonic
			7,334,377	B2	2/2008	Dubensky et al.
			D574,518	S	8/2008	Antonic
			D574,697	S	8/2008	Green
			D581,253	S	11/2008	Antonic
			D588,440	S	3/2009	Antonic
			7,513,082	B2	4/2009	Johnson



# US D623,767 S

Page 3

---

2002/0066245 A1 6/2002 Pryor  
2002/0069600 A1 6/2002 Bryant  
2002/0092245 A1 7/2002 Floyd et al.  
2002/0148178 A1 10/2002 Farag  
2003/0029124 A1 2/2003 Wise  
2003/0089066 A1 5/2003 Nelson  
2003/0217521 A1 11/2003 Richardson et al.  
2004/0068947 A1 4/2004 Commins et al.  
2004/0107653 A1 6/2004 Collie  
2004/0163355 A1 8/2004 Collie  
2004/0227039 A1 11/2004 Real et al.  
2005/0011157 A1 1/2005 Lutz et al.  
2006/0026924 A1 2/2006 Madsen  
2006/0156660 A1 7/2006 Stateson  
2006/0207209 A1 9/2006 Metroyanis  
2006/0254167 A1 11/2006 Antonic  
2007/0094992 A1 5/2007 Antonic

2007/0193143 A1 8/2007 Antonic  
2008/0236058 A1 10/2008 Antonic

## FOREIGN PATENT DOCUMENTS

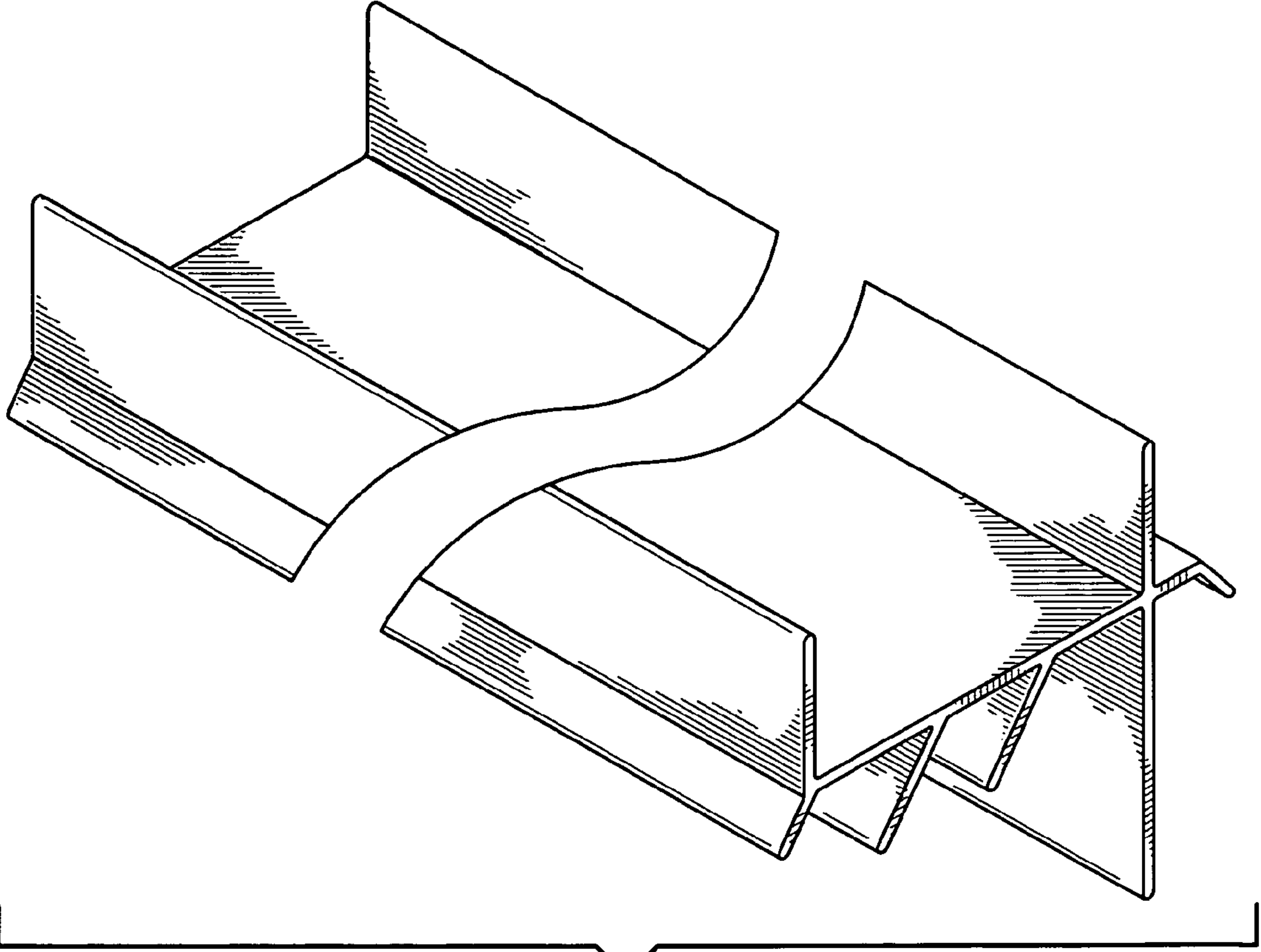
GB 507 987 A 6/1939

## OTHER PUBLICATIONS

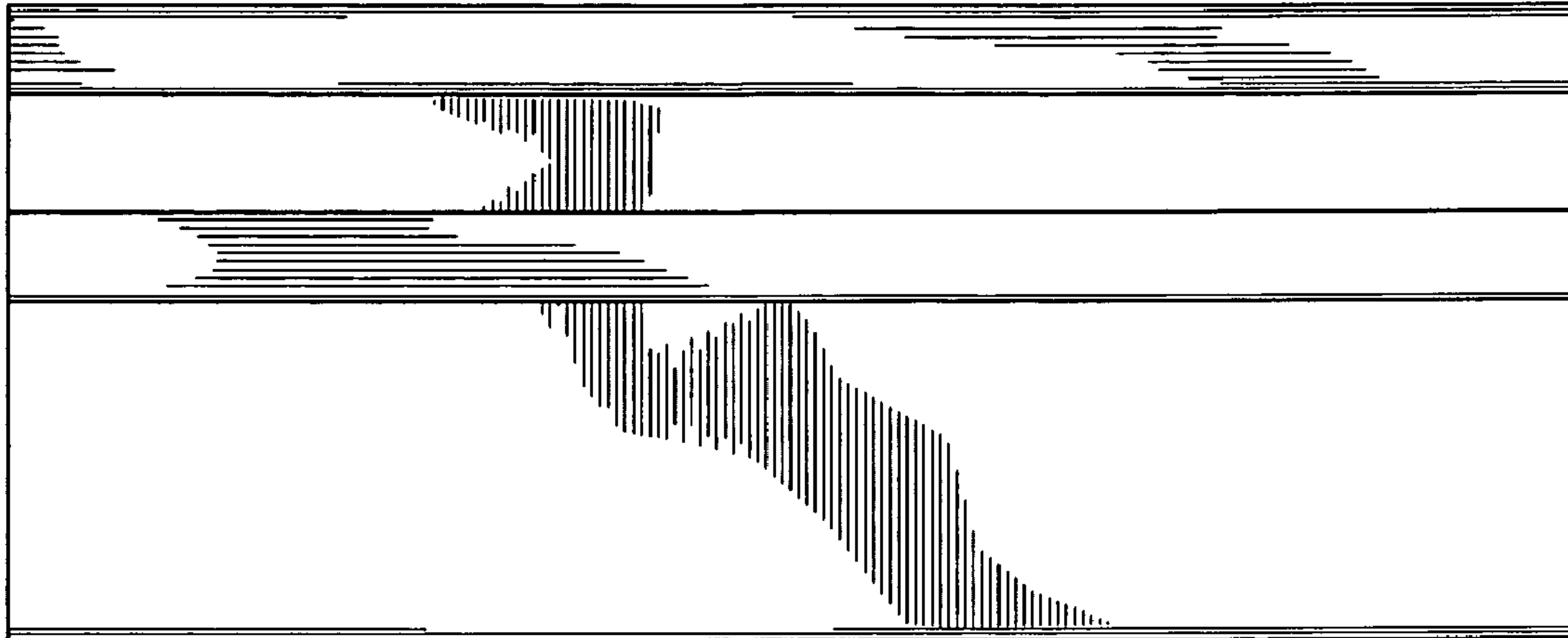
Antonic, J., Angle Brace design patent application (U.S. Appl. No. 29/310,863), including filing receipt, filed Sep. 15, 2008, 6 pages total.

Antonic, J., Stud Interlock design patent application (U.S. Appl. No. 29/315,558), including filing receipt, filed Jul. 6, 2009, 5 pages total. European Search Report for EPO Application No. 07750810.9 (Mar. 3, 2010) (8 pages).

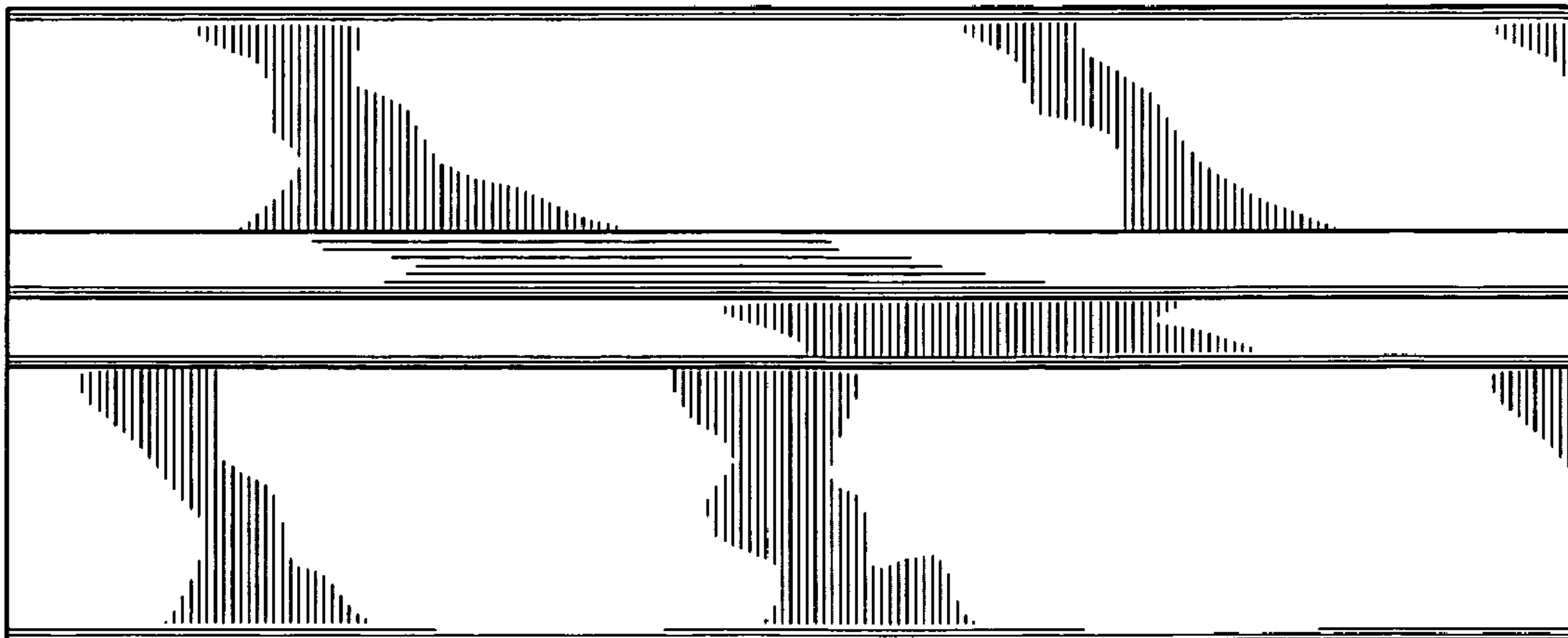
\* cited by examiner



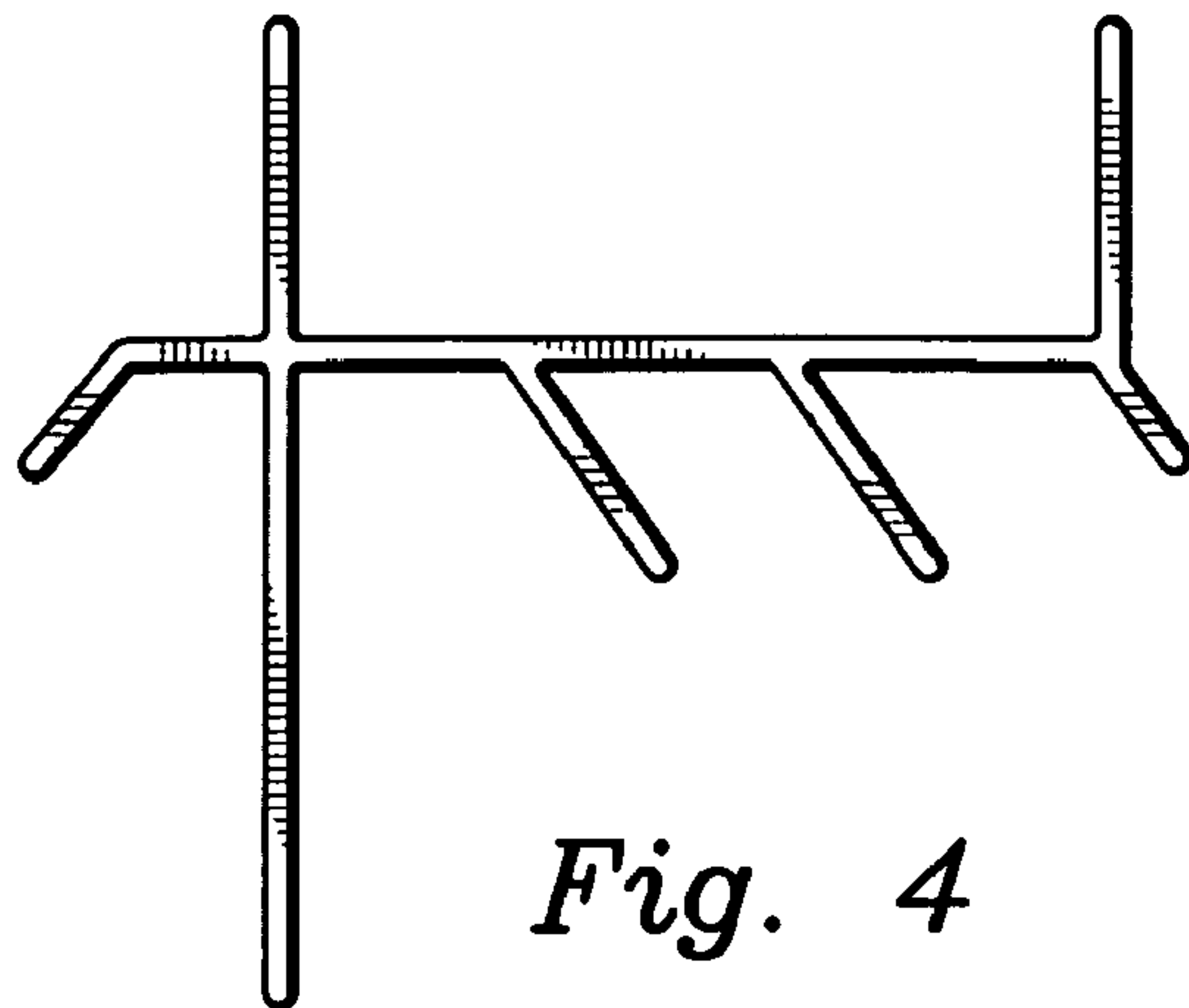
*Fig. 1*



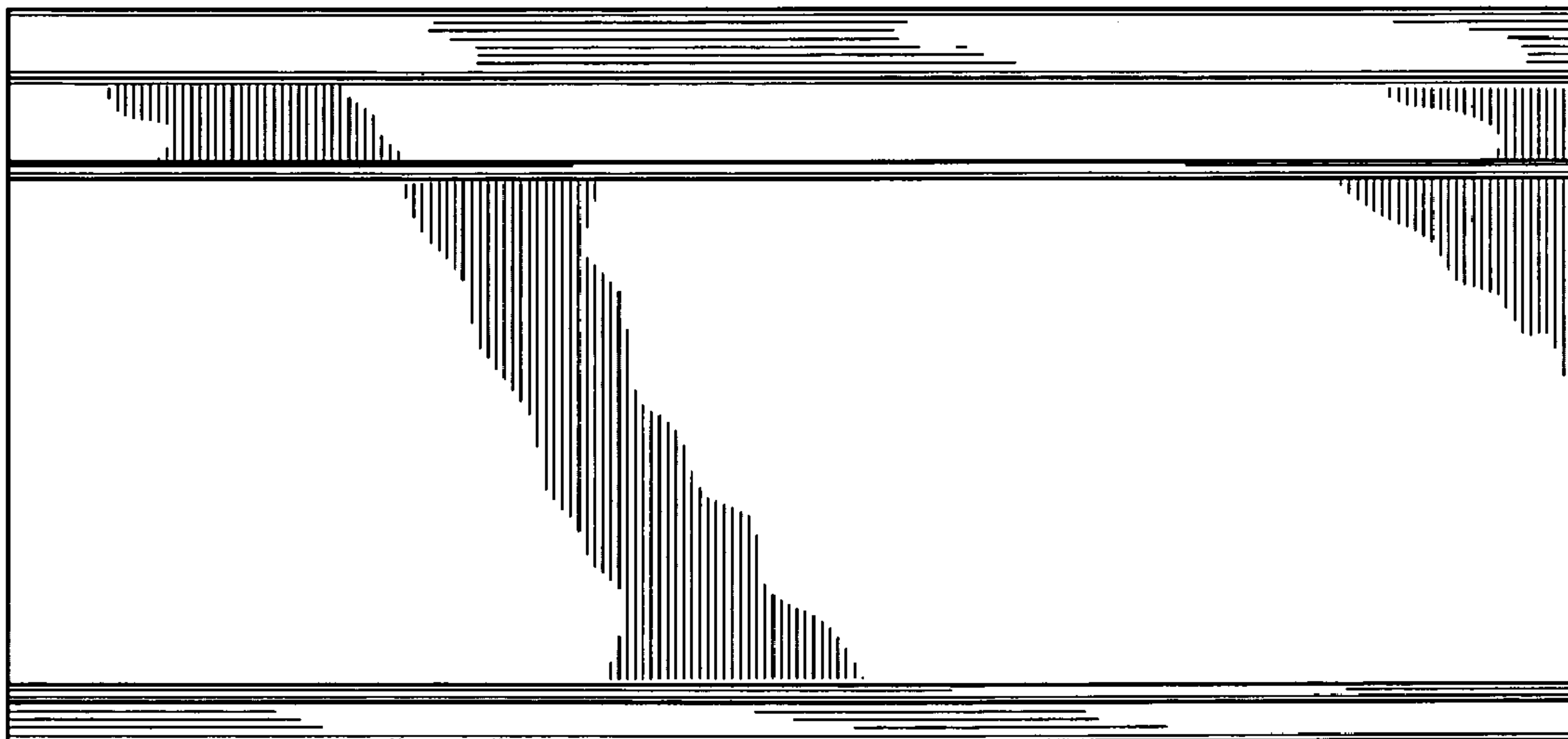
*Fig. 2*



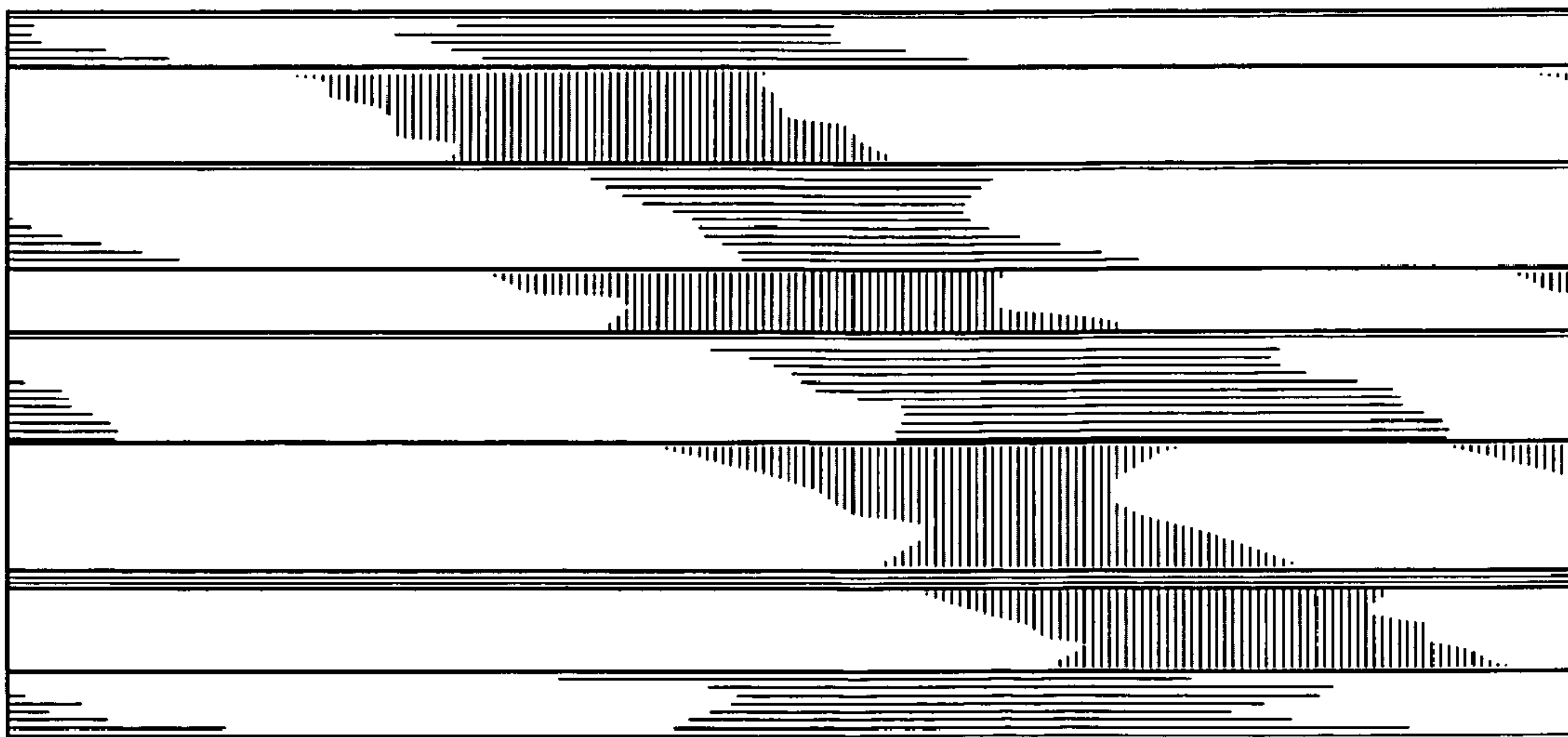
*Fig. 3*



*Fig. 4*



*Fig. 5*



*Fig. 6*