



US00D623765S

(12) **United States Design Patent**
Tomes et al.

(10) **Patent No.:** **US D623,765 S**
(45) **Date of Patent:** **** Sep. 14, 2010**

(54) **MEDICAL TRAY**

(75) Inventors: **Jennifer E. Tomes**, Mundelein, IL (US);
Deborah B. Adler, New York, NY (US);
Jack E. Maze, Long Grove, IL (US);
Alberto C. Savage, Buffalo Grove, IL
(US); **Kenneth S. Chua**, Glenview, IL
(US); **Earl D. Wilson**, Ingleside, IL
(US); **John H. Kutsch**, Harvard, IL (US)

(73) Assignee: **Medline Industries, Inc.**, Mundelein, IL
(US)

(**) Term: **14 Years**

(21) Appl. No.: **29/352,783**

(22) Filed: **Dec. 27, 2009**

Related U.S. Application Data

(63) Continuation of application No. 29/338,022, filed on
Jun. 3, 2009, now Pat. No. Des. 609,819.

(51) **LOC (9) Cl.** **24-01**

(52) **U.S. Cl.** **D24/227**

(58) **Field of Classification Search** D24/123,
D24/176, 216, 223-232; 422/99, 102, 104,
422/297, 300; 433/77; D3/304, 307, 308,
D3/314, 315; D7/500, 550.1, 543, 602, 554.3,
D7/361, 354, 587; D6/406.1, 406.2, 406.3,
D6/601; 206/557; D9/425

See application file for complete search history.

(56) **References Cited**

U.S. PATENT DOCUMENTS

D218,077 S *	7/1970	Gabriel	D24/229
D234,404 S *	2/1975	Merril	D24/230
D237,315 S *	10/1975	Nowkowski	D24/226
D237,317 S *	10/1975	Nowkowski	D24/223
D243,798 S *	3/1977	Swartz	D24/226
D248,871 S *	8/1978	Forsman et al.	D6/601
D249,362 S *	9/1978	Forsman et al.	D24/230
D262,995 S *	2/1982	Gaba et al.	D24/229
D268,130 S *	3/1983	Easton	D24/230

D275,886 S *	10/1984	Sheward et al.	D9/425
D276,462 S *	11/1984	Villarreal	D24/229
D280,663 S *	9/1985	Albon et al.	D24/226
D280,933 S *	10/1985	McLaughlin	D24/229
D283,051 S *	3/1986	Fichera	D24/123
D287,760 S *	1/1987	Discko, Jr.	D24/229
D334,973 S *	4/1993	Valentine et al.	D24/227
D337,830 S *	7/1993	Coyne et al.	D24/229
D343,687 S *	1/1994	Houghton et al.	D24/229
D351,661 S *	10/1994	Fischer	D24/176

(Continued)

Primary Examiner—T. Chase Nelson

Assistant Examiner—Mark Cavanna

(74) *Attorney, Agent, or Firm*—Philip H. Burrus, IV

(57) **CLAIM**

The ornamental design for a medical tray, as shown and described.

DESCRIPTION

A portion of the disclosure of this patent document contains material to which a claim for copyright is made. The copyright owner has no objection to the facsimile reproduction by anyone of the patent document or the patent disclosure, as it appears in the Patent and Trademark Office patent file or records, but reserves all other copyrights whatsoever.

FIG. 1 is a front, right, top perspective view of a medical tray showing our new design;

FIG. 2 is a top plan view thereof;

FIG. 3 is a front elevation view thereof;

FIG. 4 is an inverted, rear elevation view thereof;

FIG. 5 is a rotated, right elevation view thereof;

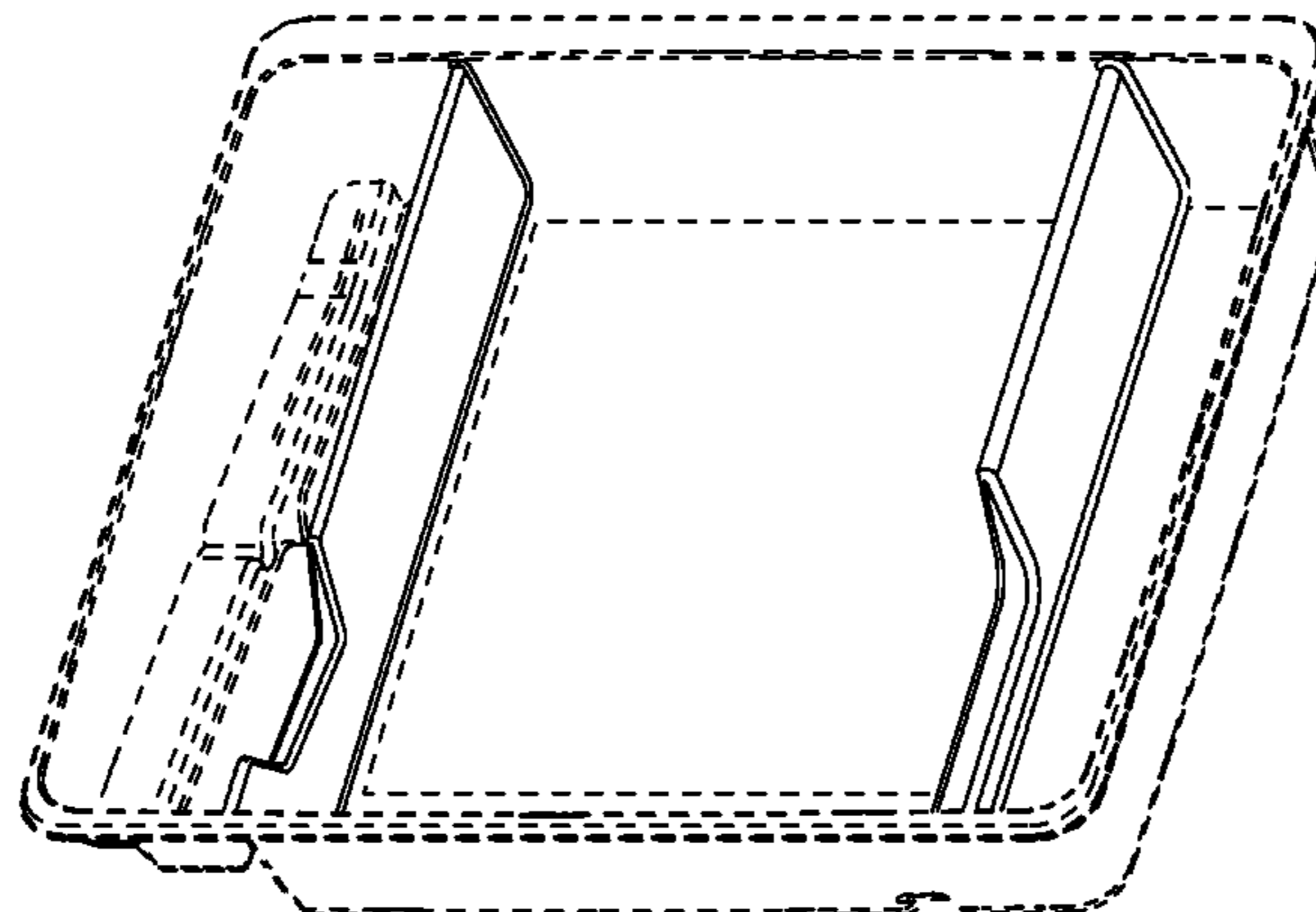
FIG. 6 is a rotated, left elevation view thereof;

FIG. 7 is a bottom plan view thereof; and,

FIG. 8 is a front, left, top perspective view thereof.

The broken lines are included for the purpose of illustrating portions of the medical tray that forms no part of the claimed design.

1 Claim, 6 Drawing Sheets



US D623,765 S

Page 2

U.S. PATENT DOCUMENTS

D387,177 S * 12/1997 Davis	D24/227	D596,311 S * 7/2009 Antons	D24/227
D450,130 S * 11/2001 Goldstein	D24/227	* cited by examiner	

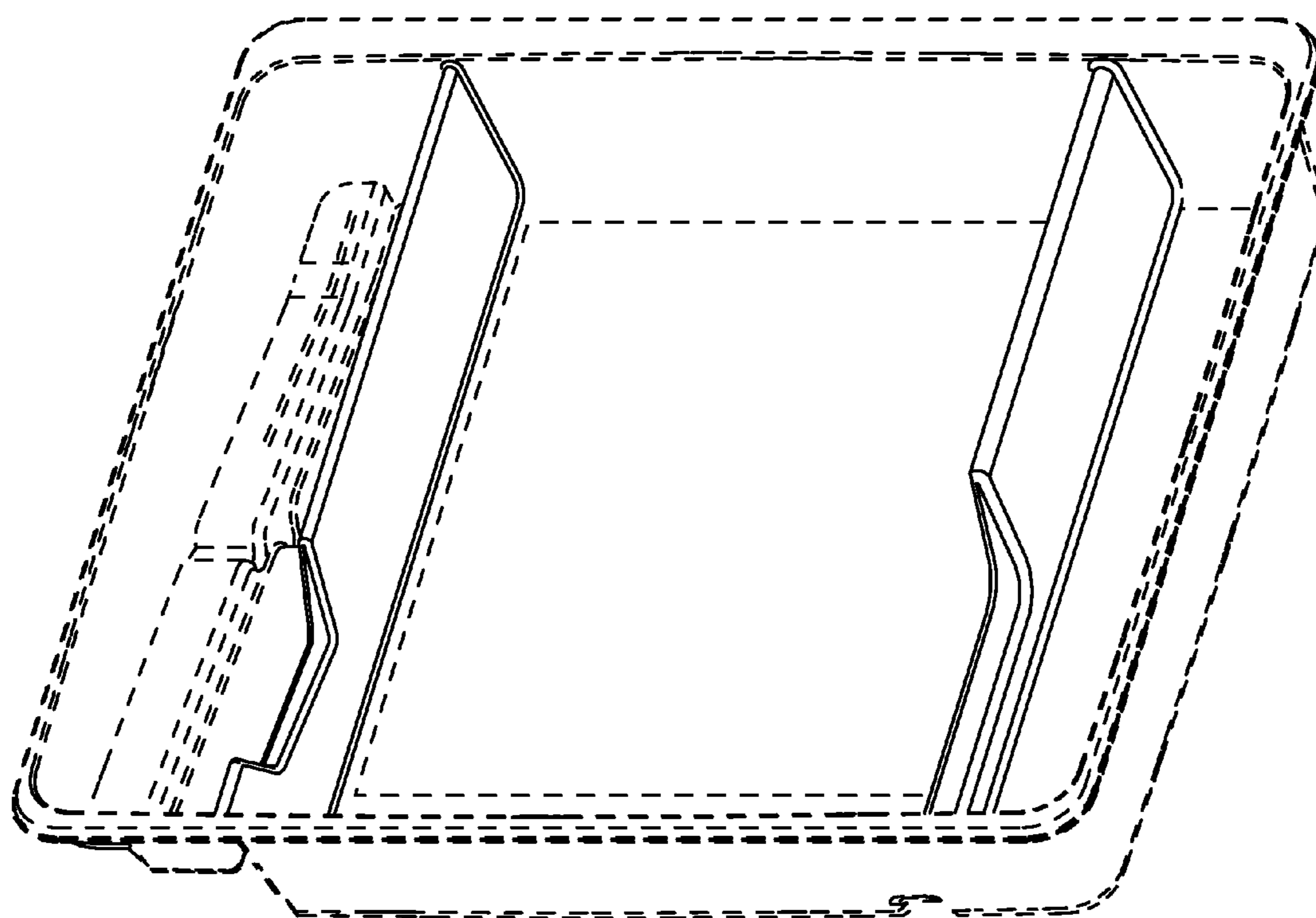


FIG. 1

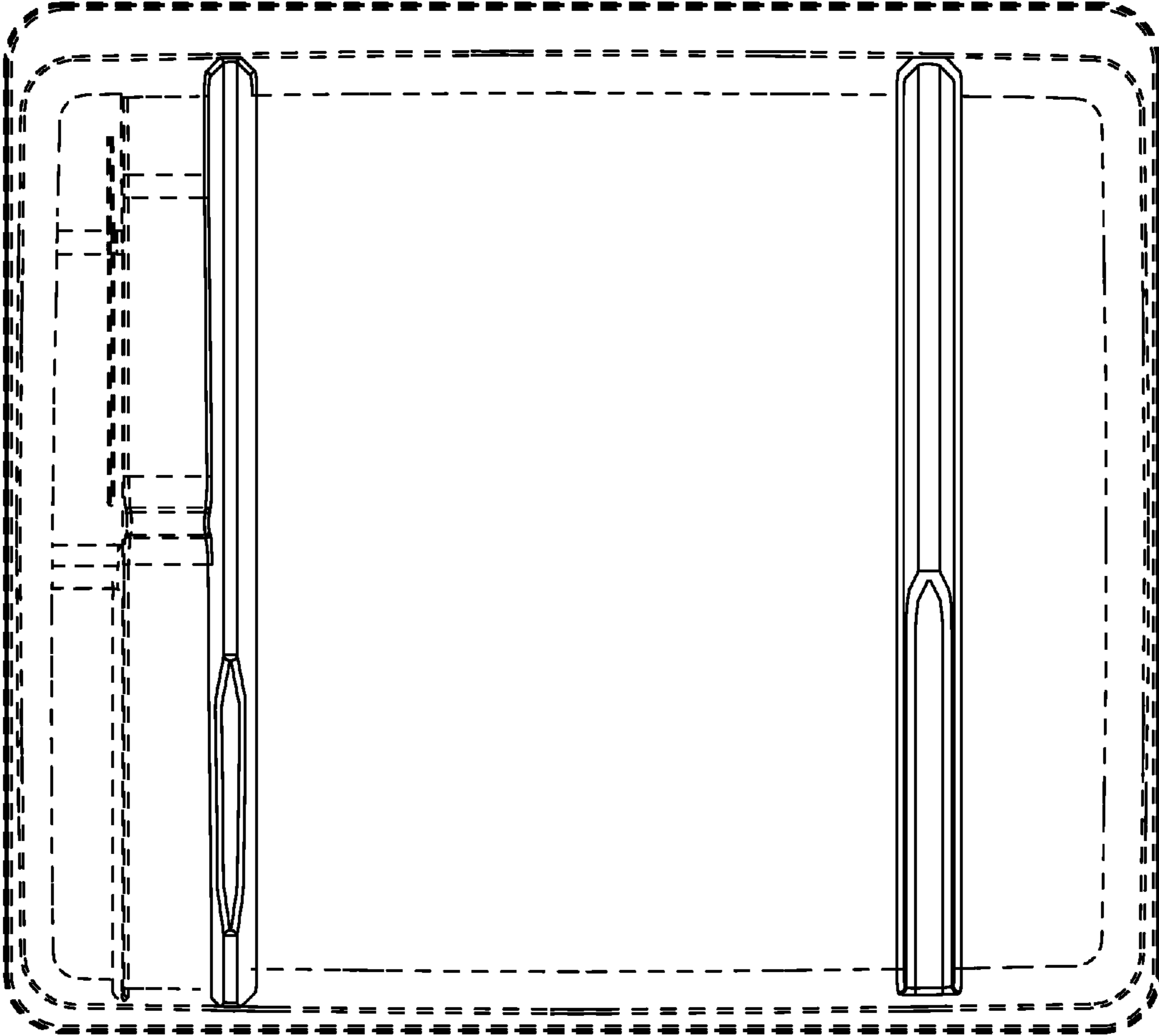


FIG. 2



FIG. 3



FIG. 4

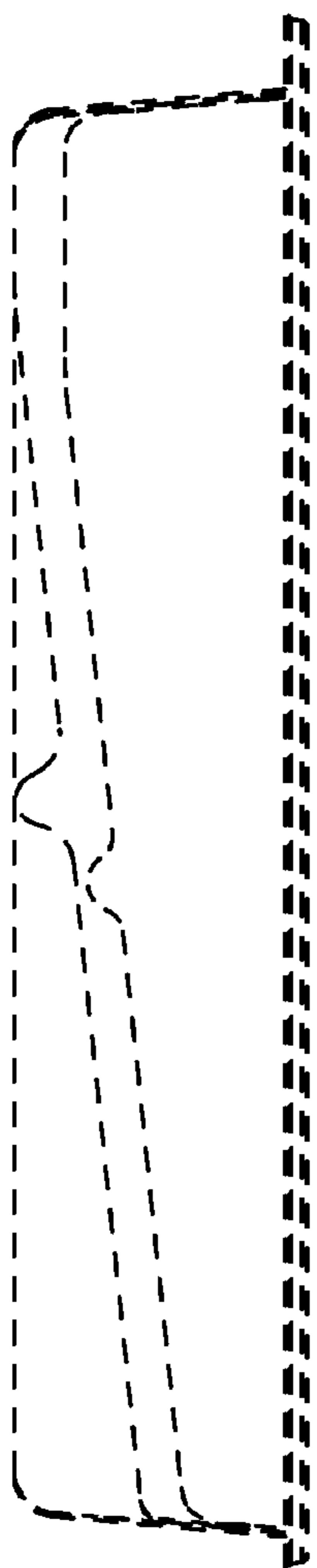


FIG. 5



FIG. 6

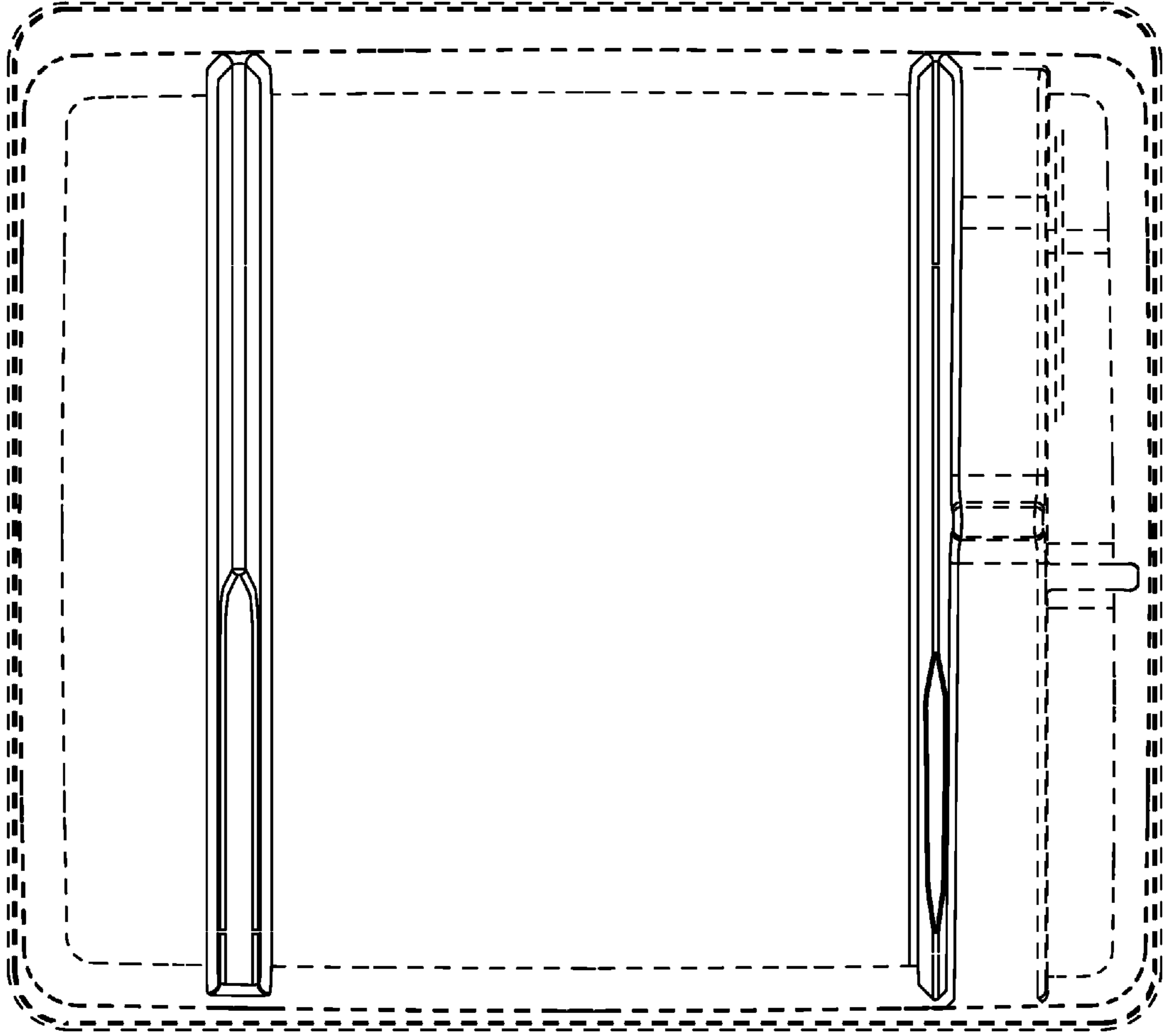


FIG. 7

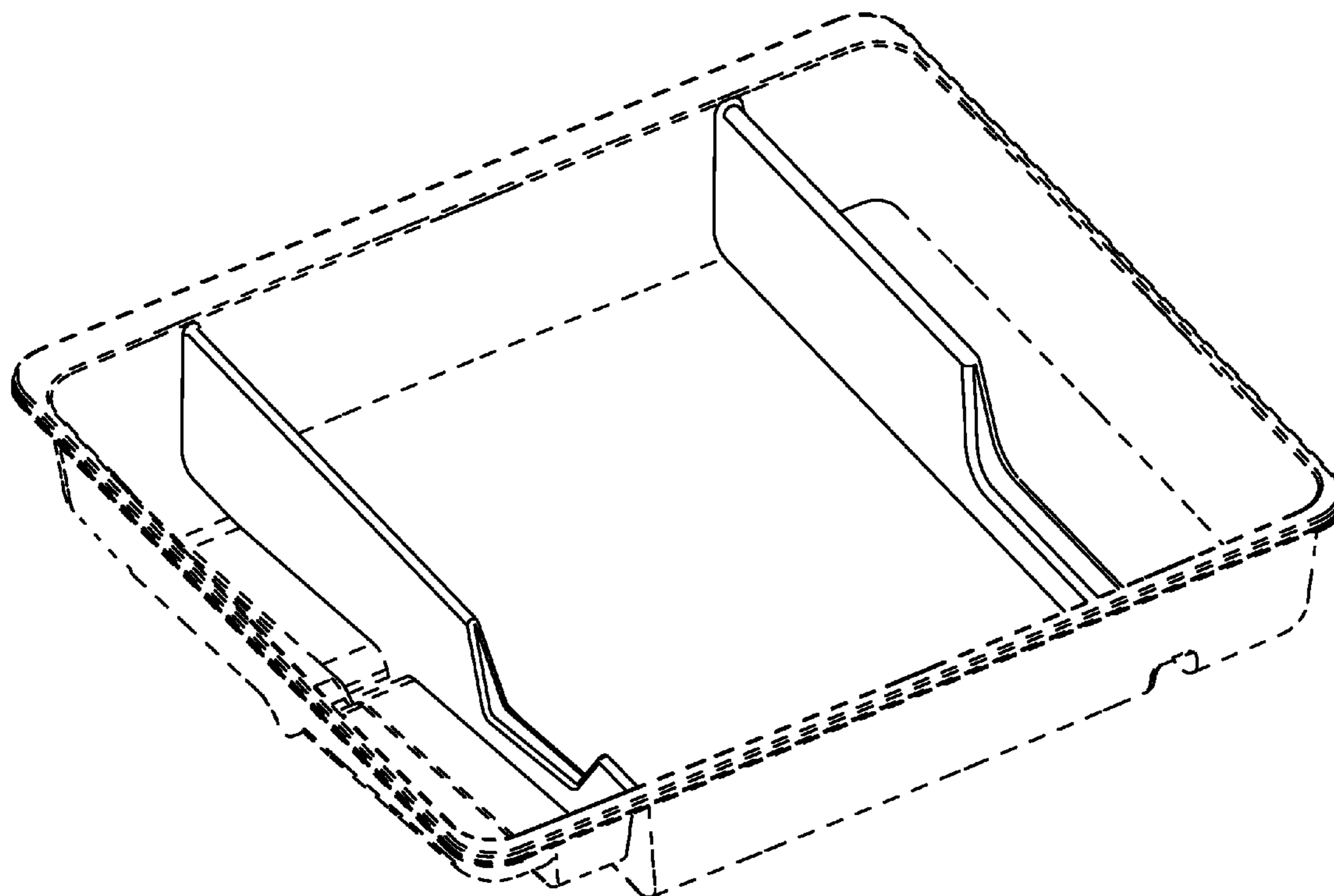


FIG. 8