



US00D623764S

(12) **United States Design Patent**  
**Py et al.**

(10) **Patent No.:** **US D623,764 S**  
(45) **Date of Patent:** **\*\* Sep. 14, 2010**

(54) **VIAL**  
(75) Inventors: **Daniel Py**, Stamford, CT (US); **Norbert M. Assion**, Shelton, CT (US); **Julian V. Chan**, Spring Valley, NY (US)  
(73) Assignee: **Medical Instill Technologies Inc.**, New Milford, CT (US)  
(\*\*) Term: **14 Years**

4,171,057 A 10/1979 Gach  
4,250,611 A 2/1981 Wong  
D263,504 S 3/1982 Fowles et al.  
4,366,812 A 1/1983 Matakura et al.  
4,390,111 A 6/1983 Robbins et al.  
D278,600 S \* 4/1985 Fortuna ..... D9/556  
D279,651 S 7/1985 Freeman  
D281,369 S \* 11/1985 Harris ..... D99/34  
4,664,275 A 5/1987 Kasai et al.

(21) Appl. No.: **29/352,911**  
(22) Filed: **Dec. 29, 2009**

**Related U.S. Application Data**

(62) Division of application No. 29/330,517, filed on Jan. 8, 2009, now Pat. No. Des. 607,118, which is a division of application No. 29/303,247, filed on Feb. 4, 2008, now Pat. No. Des. 585,561, which is a division of application No. 29/265,237, filed on Aug. 28, 2006, now Pat. No. Des. 561,907, which is a division of application No. 29/198,310, filed on Jan. 27, 2004, now Pat. No. Des. 527,463.

(51) **LOC (9) Cl.** ..... **24-04**  
(52) **U.S. Cl.** ..... **D24/224**  
(58) **Field of Classification Search** ..... D24/224-226, D24/215, 121; D9/445, 444, 434, 436, 446, D9/447, 500-505, 550, 459; 422/99-102; 604/414-415; 215/255, 281, 247, 249; 63/1 R, 63/1 A, 2; D99/324, 346, 34, 43; D3/207-212, D3/232, 250, 251

See application file for complete search history.

(56) **References Cited**

**U.S. PATENT DOCUMENTS**

1,747,983 A \* 2/1930 McCarthy ..... 343/872  
2,503,147 A 4/1950 Applezweig  
2,899,050 A \* 8/1959 Collins ..... 206/719  
3,092,278 A 6/1963 Järnhäll  
3,340,671 A 9/1967 Loo  
D220,718 S \* 5/1971 Paillet ..... D99/34  
3,685,248 A 8/1972 Godelaine

(Continued)

*Primary Examiner*—Cathron C Brooks  
*Assistant Examiner*—Melanie Levy  
(74) *Attorney, Agent, or Firm*—McCarter & English, LLP

(57) **CLAIM**

The ornamental design for a vial, as shown and described.

**DESCRIPTION**

FIG. 1 is a top perspective view of a first embodiment of a vial showing our new design;

FIG. 2 is a front elevational view of the vial of FIG. 1;

FIG. 3 is a rear elevational view thereof;

FIG. 4 is a left side elevational view thereof;

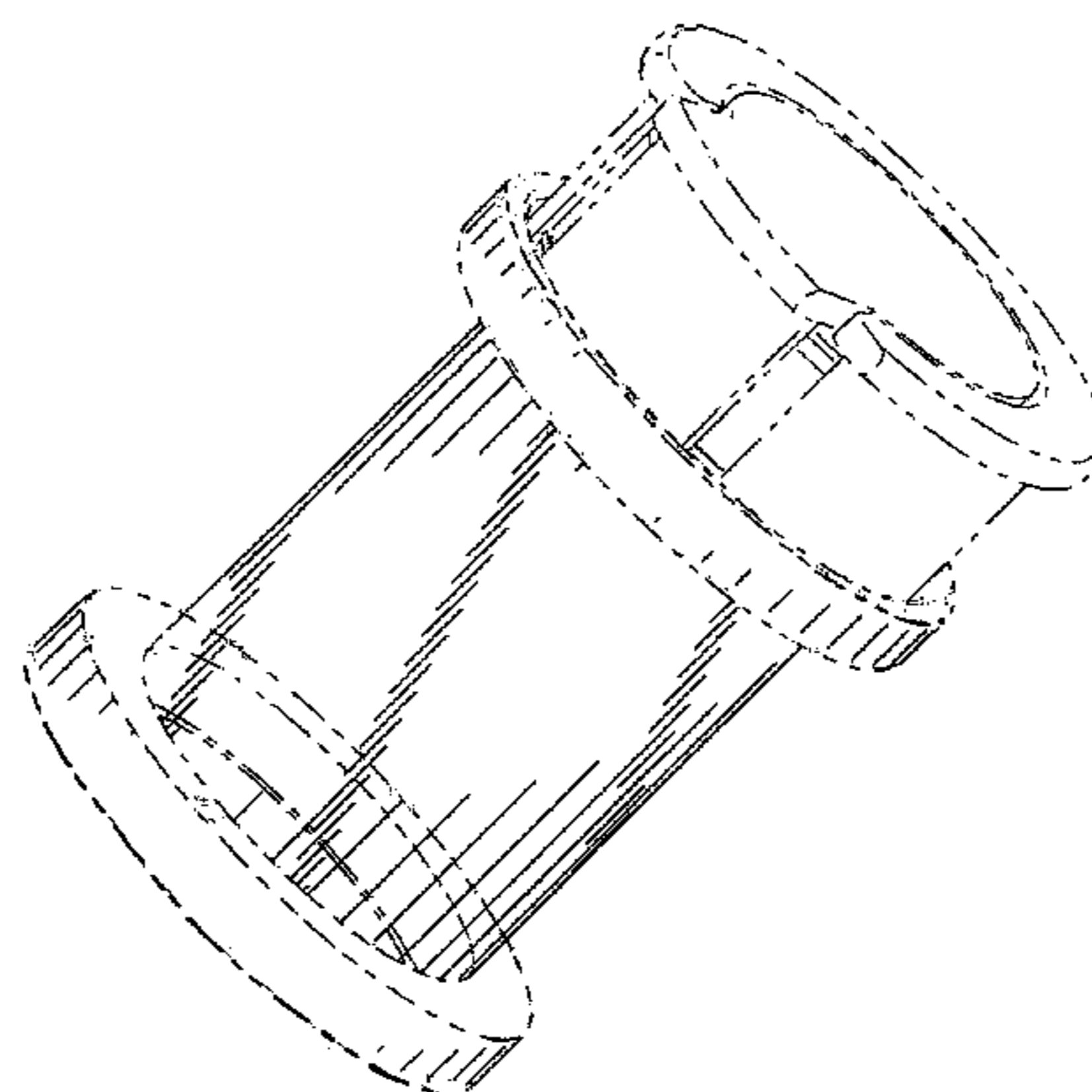
FIG. 5 is a right side elevational view thereof;

FIG. 6 is a top plan view thereof; and,

FIG. 7 is a bottom plan view thereof.

The broken lines in the figures show structure or boundaries that are not part of the claimed design, but rather show the environment in which the design is associated, or show portions of the article in which the design is embodied or applied to that are not considered part of the claimed design. The diagonal lines (or shading lines) are intended to show that the respective portion(s) of the vial are transparent or substantially transparent, whereas the claimed portion(s) of the vial that do not include such lines are opaque or substantially opaque.

**1 Claim, 7 Drawing Sheets**



# US D623,764 S

Page 2

U.S. PATENT DOCUMENTS					
4,703,781	A	11/1987 Meyer et al.	6,006,932	A	12/1999 Morin
4,842,028	A	6/1989 Kaufman et al.	D420,744	S	2/2000 Ostgaard et al.
D315,095	S *	3/1991 Wright ..... D9/503	6,068,150	A	5/2000 Mitchell et al.
5,085,332	A	2/1992 Gettig et al.	6,070,748	A	6/2000 Sotrar
5,088,612	A	2/1992 Storar et al.	6,095,355	A	8/2000 Jessen et al.
5,088,995	A	2/1992 Packard et al.	6,145,688	A	11/2000 Smith
5,129,212	A	7/1992 Duffey et al.	D434,980	S *	12/2000 Suzuki ..... D9/418
5,247,015	A	9/1993 Bayan	D439,345	S	3/2001 Herchenbach et al.
5,341,854	A	8/1994 Zezulka et al.	D443,126	S *	5/2001 Reviea et al. .... D99/34
5,344,036	A	9/1994 Stanescu et al.	6,223,918	B1	5/2001 Browne
5,379,908	A	1/1995 Rohe	6,234,335	B1	5/2001 Gee et al.
5,411,065	A	5/1995 Meador et al.	6,382,441	B1	5/2002 Carano
5,464,111	A	11/1995 Vacek et al.	D483,030	S *	12/2003 Melton ..... D14/230
5,484,566	A	1/1996 Gabbard	D485,365	S *	1/2004 Py et al. .... D24/224
5,514,339	A	5/1996 Leopardi et al.	D505,494	S *	5/2005 Py et al. .... D24/224
5,549,141	A	8/1996 Meador et al.	D522,663	S *	6/2006 Py et al. .... D24/224
5,603,401	A *	2/1997 Brunner ..... 206/204	D527,463	S *	8/2006 Py et al. .... D24/224
5,641,004	A	6/1997 Py	D533,670	S *	12/2006 Py et al. .... D24/224
D383,214	S	9/1997 Brennan	D543,411	S *	5/2007 Rittberg ..... D7/354
D389,586	S	1/1998 Brennan	D561,907	S *	2/2008 Py et al. .... D24/224
D390,000	S *	2/1998 Savas ..... D3/208	D561,908	S *	2/2008 Py et al. .... D24/224
5,718,348	A	2/1998 Manera	D568,094	S *	5/2008 Cohen et al. .... D7/361
5,744,087	A	4/1998 Williams et al.	D573,401	S *	7/2008 Cohen et al. .... D7/361
5,816,772	A	10/1998 Py	D585,561	S *	1/2009 Py et al. .... D24/224
5,823,373	A	10/1998 Sudo et al.	7,568,509	B2 *	8/2009 Py ..... 141/301
5,902,298	A	5/1999 Niedospial et al.	2001/0041872	A1	11/2001 Paul, Jr.
5,931,828	A	8/1999 Durkee	2002/0010995	A1	1/2002 Thibault et al.
5,971,181	A	10/1999 Niedospial, Jr. et al.	2002/0023893	A1	2/2002 Sudo et al.
			2002/0029022	A1	3/2002 Naritomi et al.

\* cited by examiner

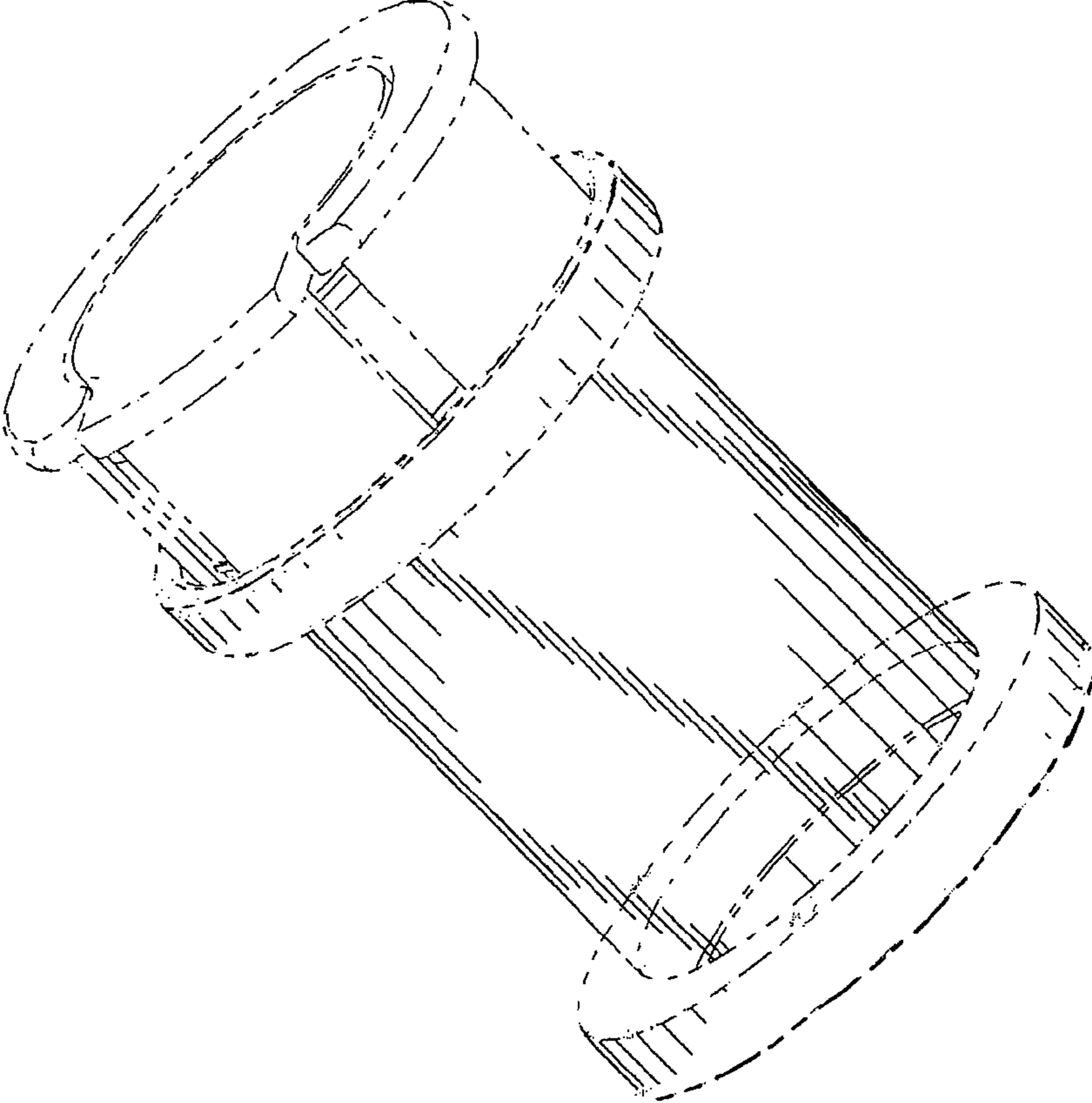


FIG. 1

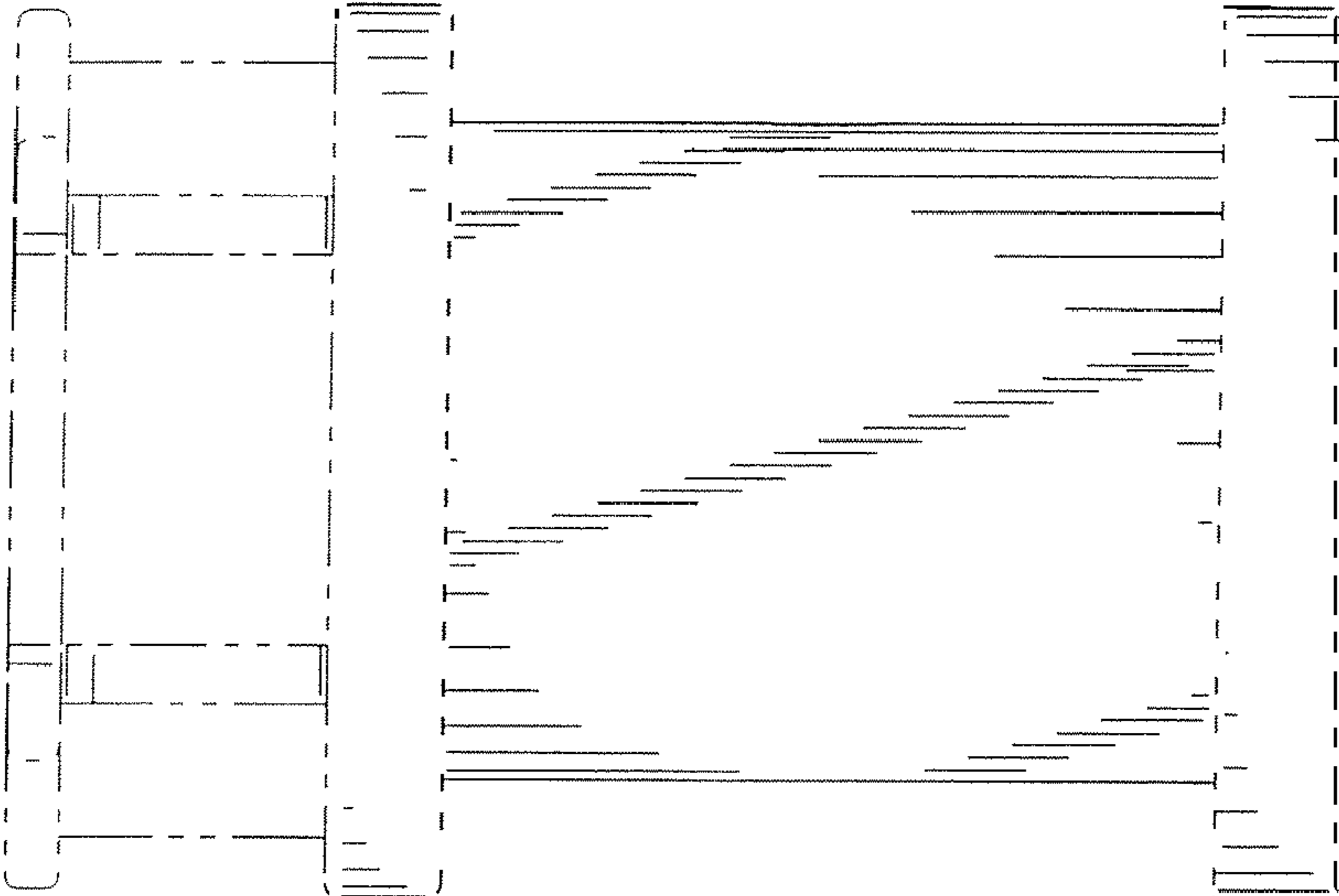


FIG. 2

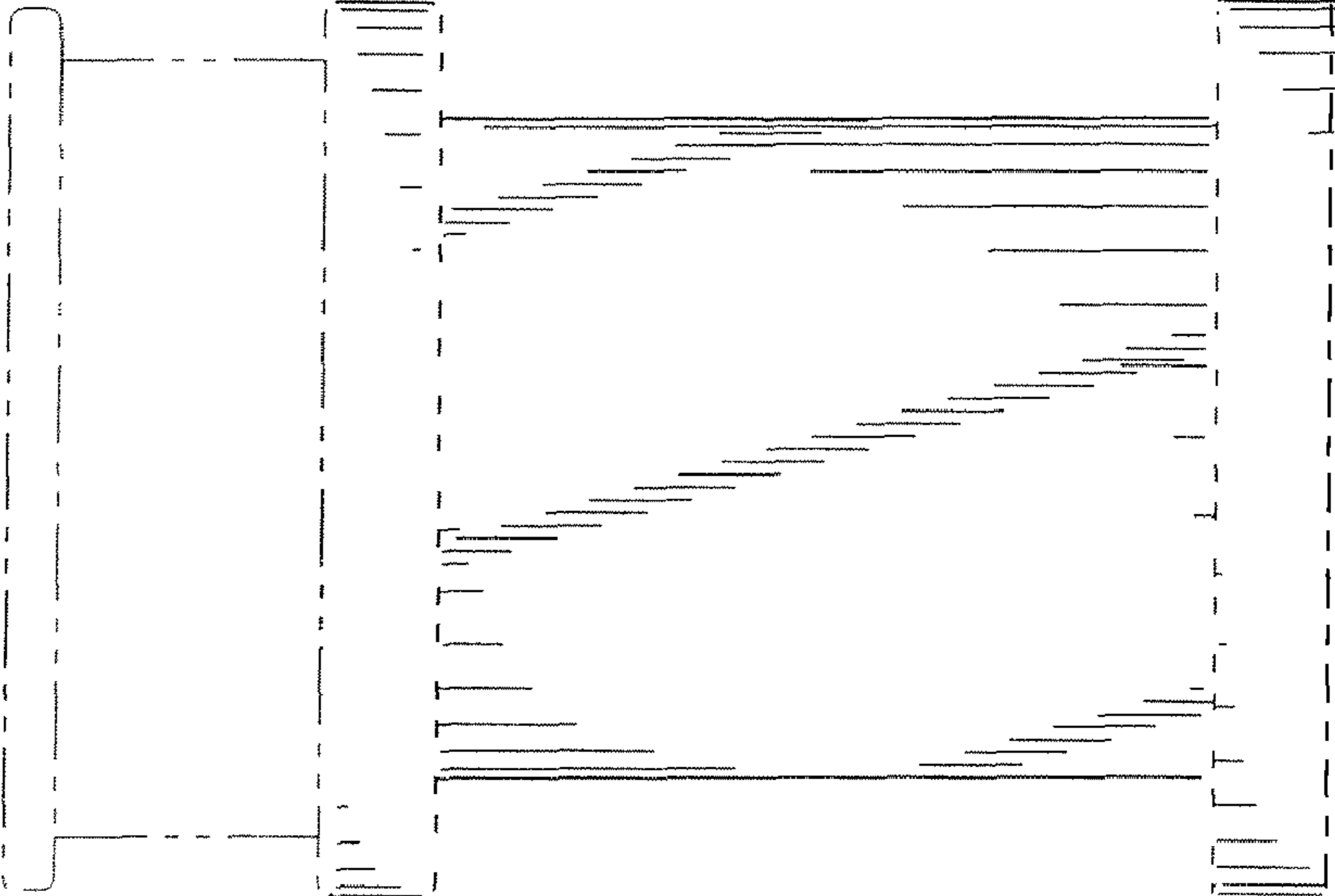


FIG. 3



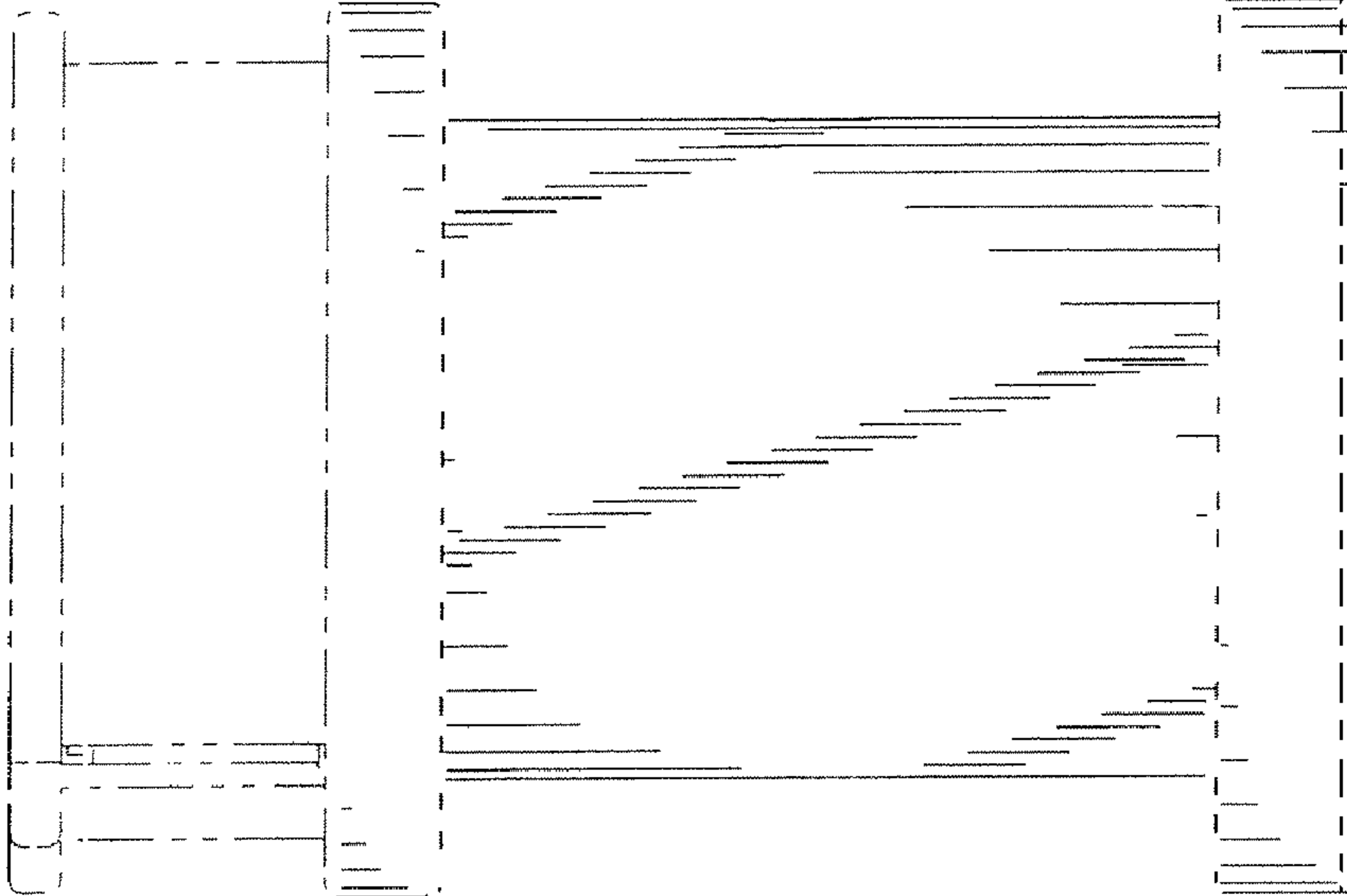


FIG. 4

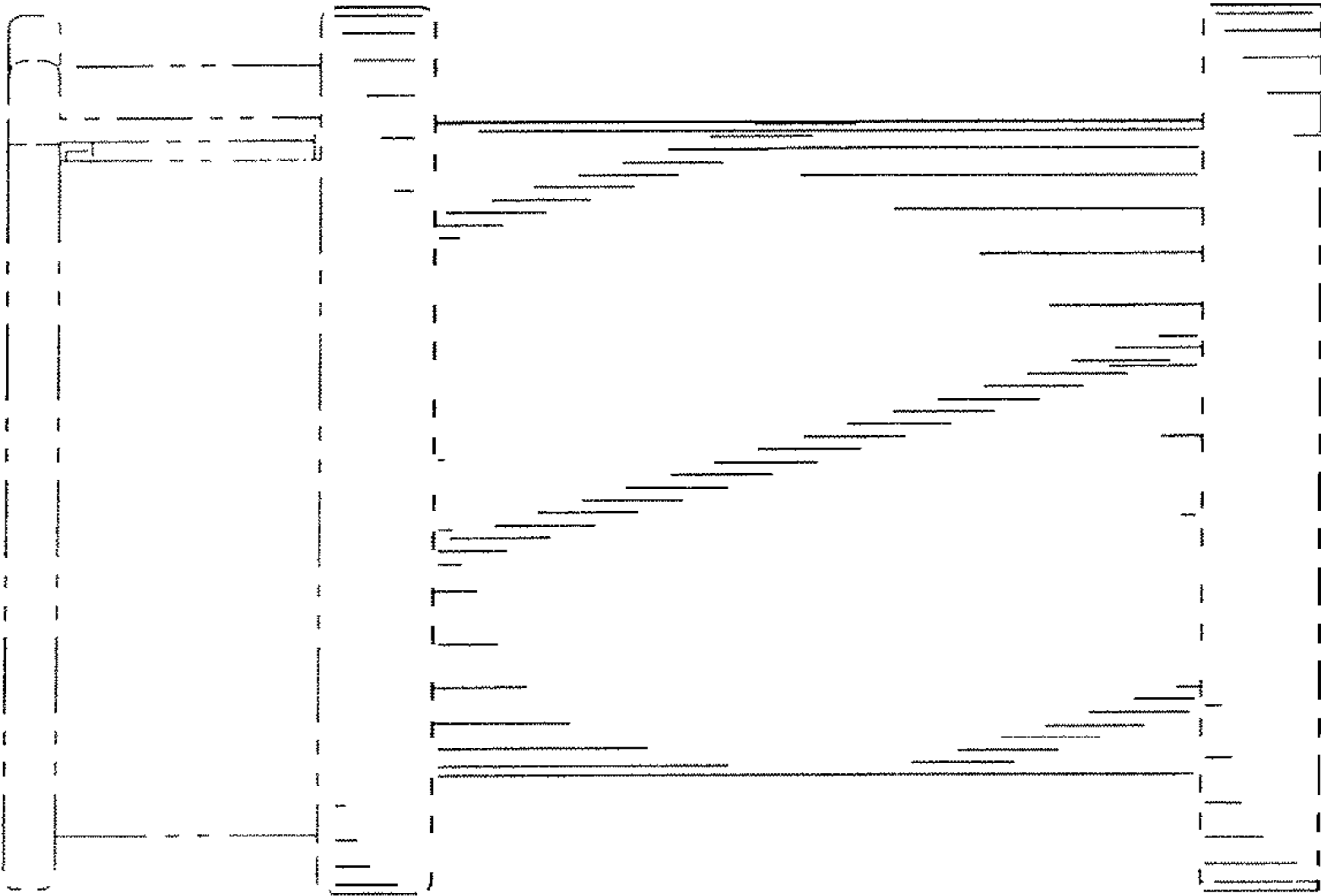


FIG. 5

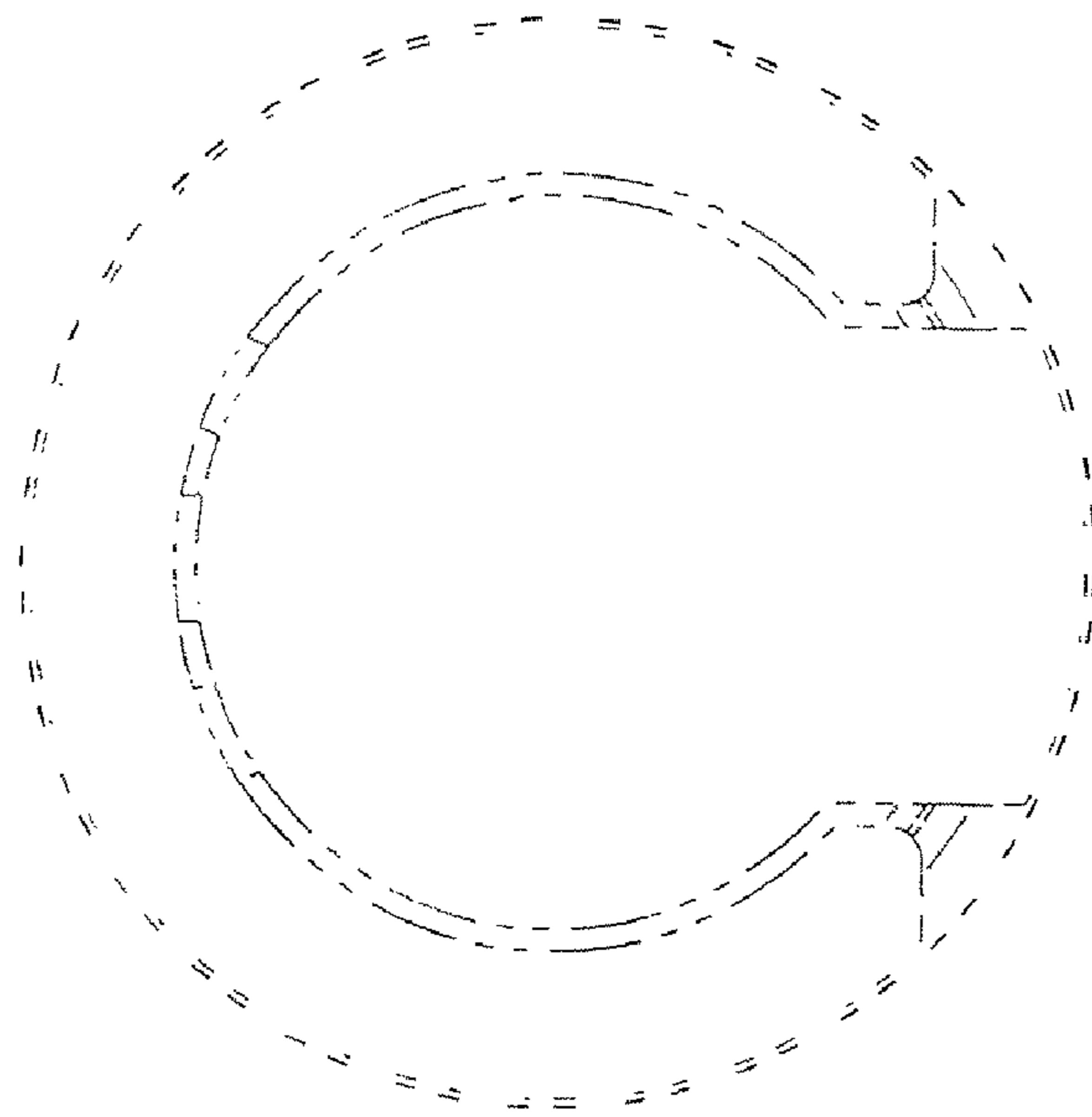


FIG. 6



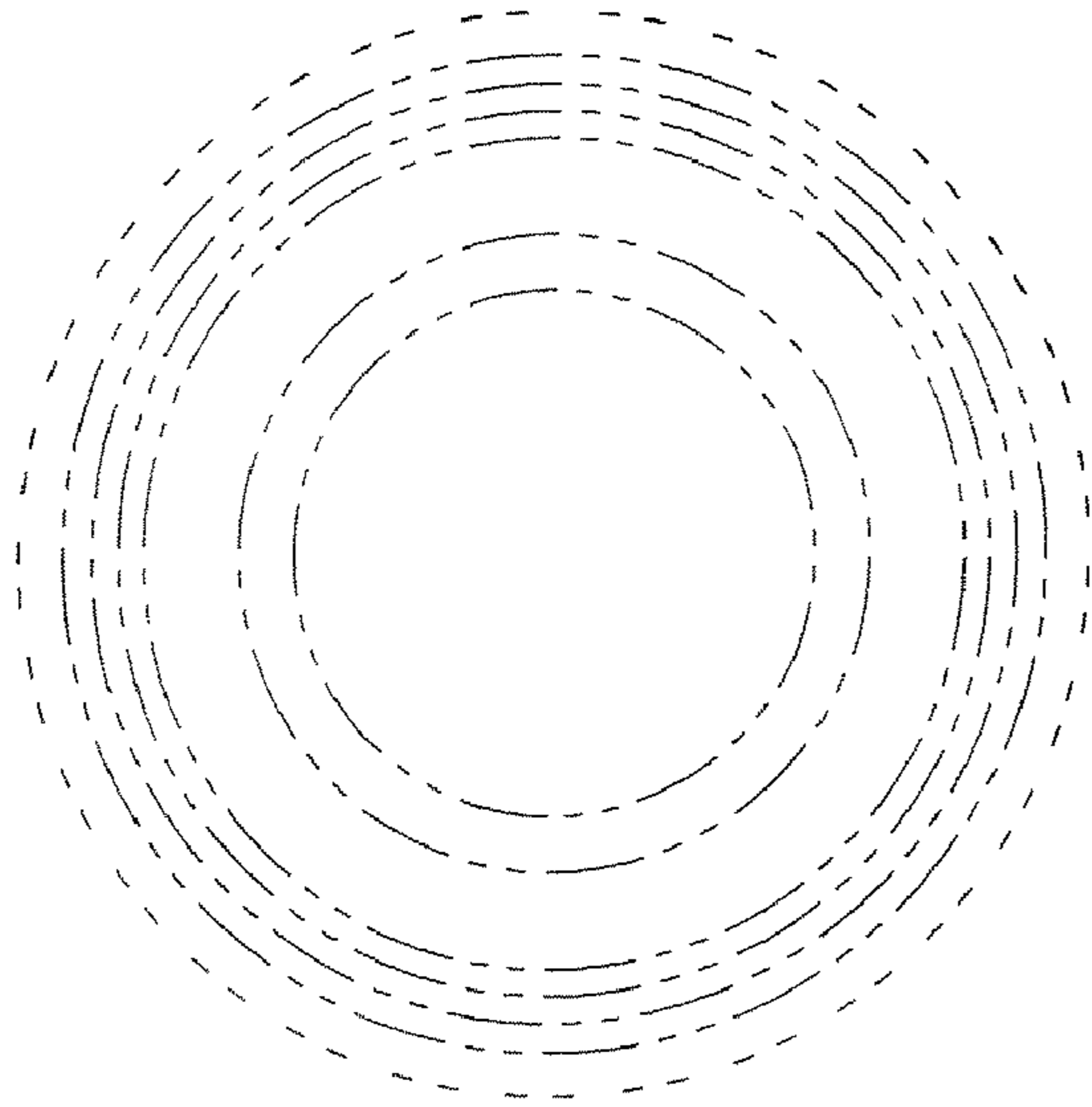


FIG. 7