

US00D623752S

(12) **United States Design Patent**  
**Ogura**

(10) **Patent No.:** **US D623,752 S**

(45) **Date of Patent:** **\*\* Sep. 14, 2010**

(54) **MEDICAL IMAGE READER**

D568,477 S \* 5/2008 Takahashi et al. .... D24/158  
D571,474 S \* 6/2008 Sjo-Gaber et al. .... D24/186  
D588,701 S \* 3/2009 Sperry et al. .... D24/158

(75) Inventor: **Ryosuke Ogura**, Kanagawa (JP)

(73) Assignee: **Fujifilm Corporation**, Tokyo (JP)

(\*\*) Term: **14 Years**

(21) Appl. No.: **29/341,102**

(22) Filed: **Jul. 30, 2009**

(30) **Foreign Application Priority Data**

Feb. 24, 2009 (JP) ..... 2009-003838

(51) **LOC (9) Cl.** ..... **24-01**

(52) **U.S. Cl.** ..... **D24/158**

(58) **Field of Classification Search** ..... D24/158-161,  
D24/186; D18/36-39, 49, 50; D16/246,  
D16/247; 378/167, 171, 172, 181-183  
See application file for complete search history.

(56) **References Cited**

**U.S. PATENT DOCUMENTS**

D492,414 S \* 6/2004 Perry et al. .... D24/158  
D494,680 S \* 8/2004 Takahashi ..... D24/158  
D549,338 S \* 8/2007 Kondo ..... D24/158

\* cited by examiner

*Primary Examiner*—T. Chase Nelson

*Assistant Examiner*—Anhdao Doan

(74) *Attorney, Agent, or Firm*—Young & Thompson

(57) **CLAIM**

The ornamental design for a medical image reader, as shown and described.

**DESCRIPTION**

FIG. 1 is a top, front and side perspective view of a medical image reader showing my new design;

FIG. 2 is a front elevational view thereof;

FIG. 3 is a rear elevational view thereof;

FIG. 4 is a top plan view thereof;

FIG. 5 is a bottom plan view thereof;

FIG. 6 is a left side elevational view thereof; and,

FIG. 7 is a right side elevational view thereof.

**1 Claim, 6 Drawing Sheets**

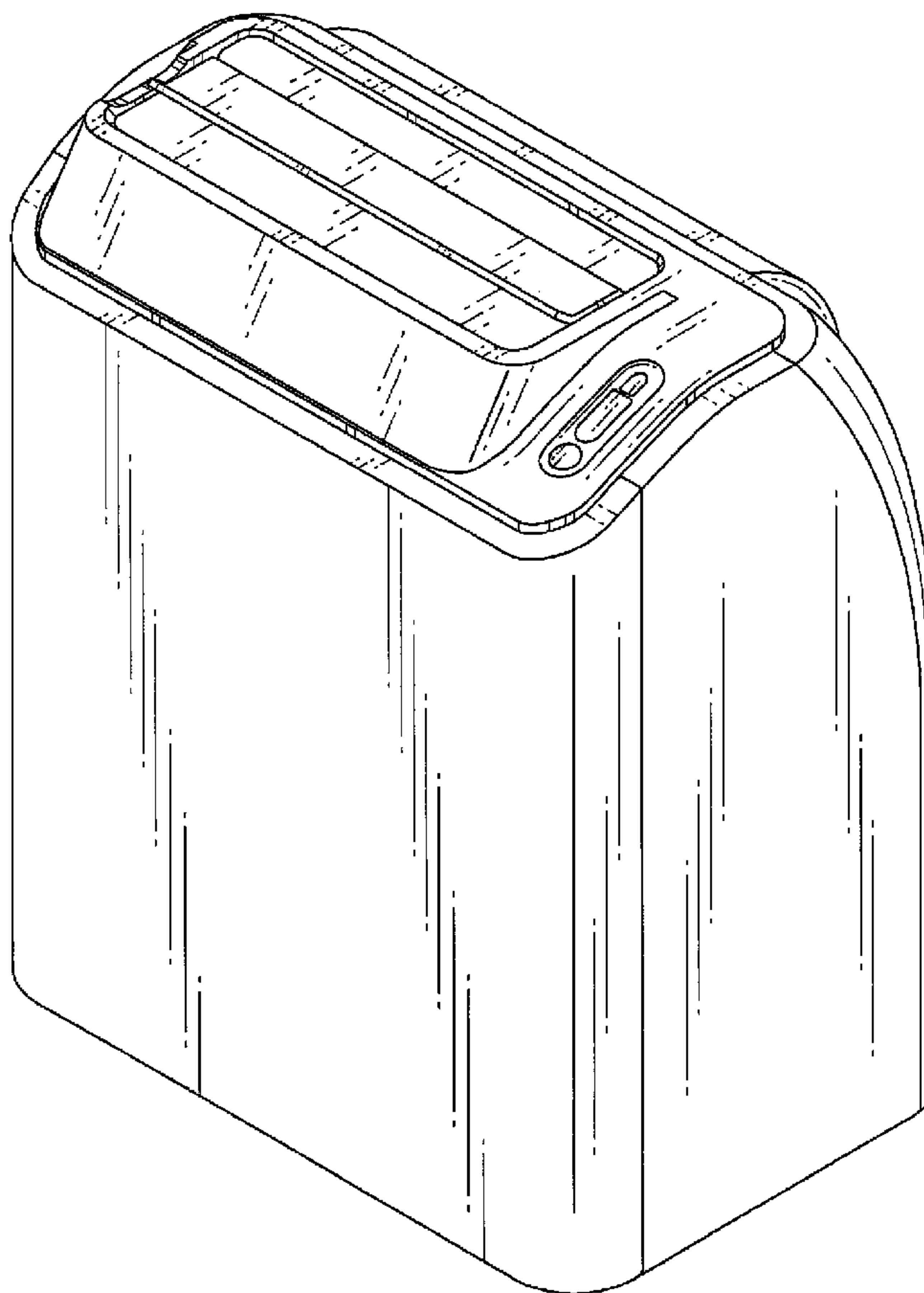


FIG. 1

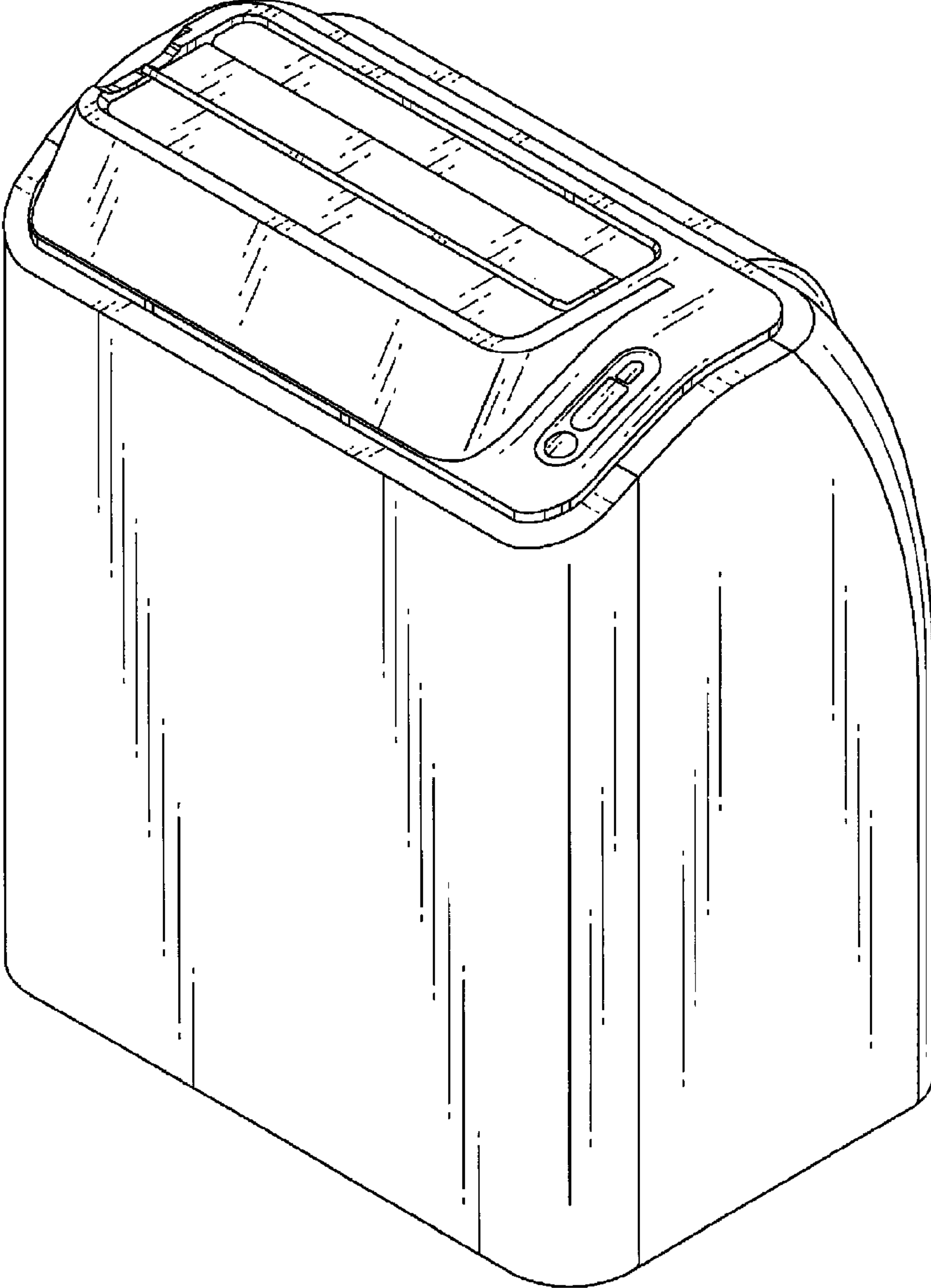


FIG.2

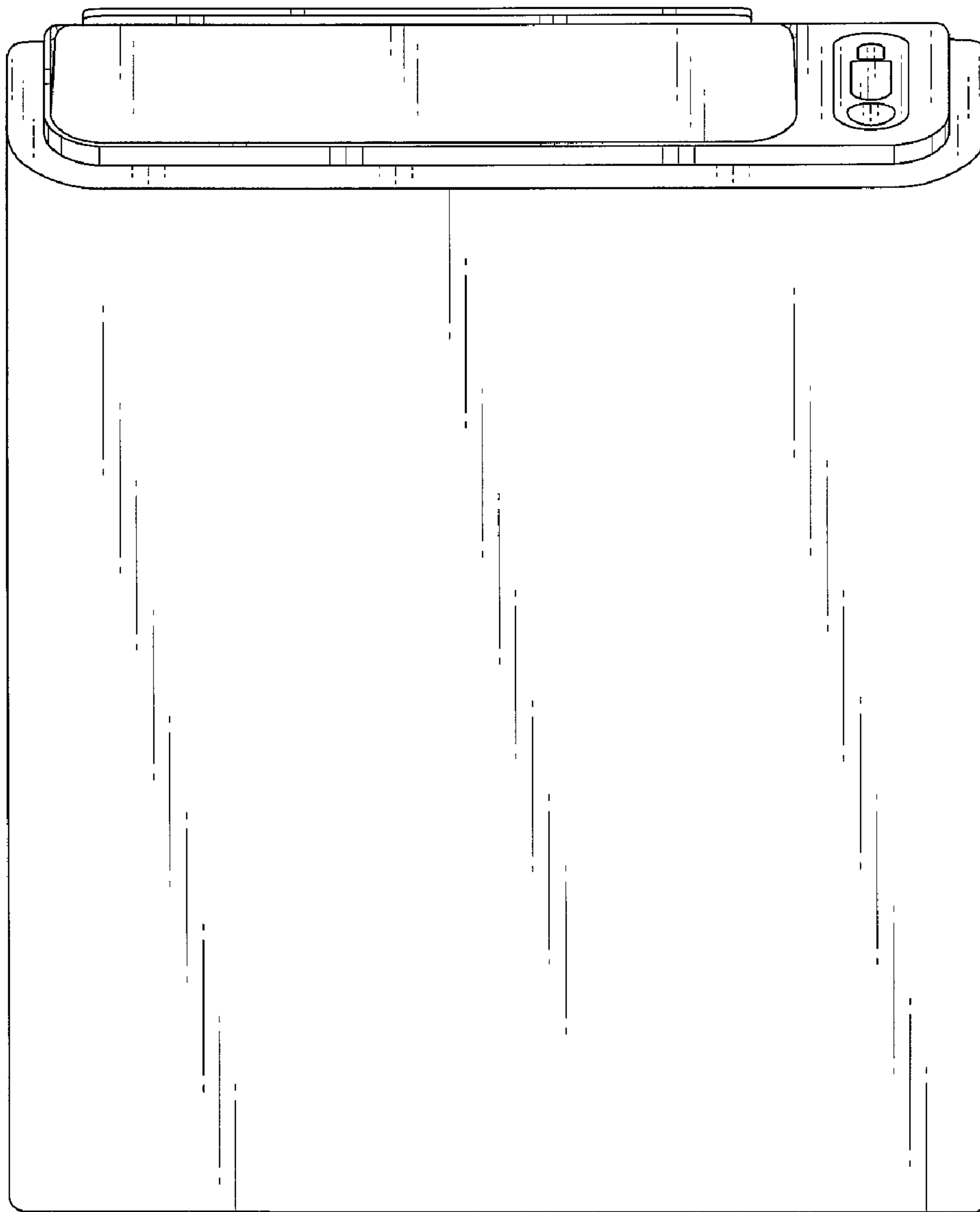


FIG.3

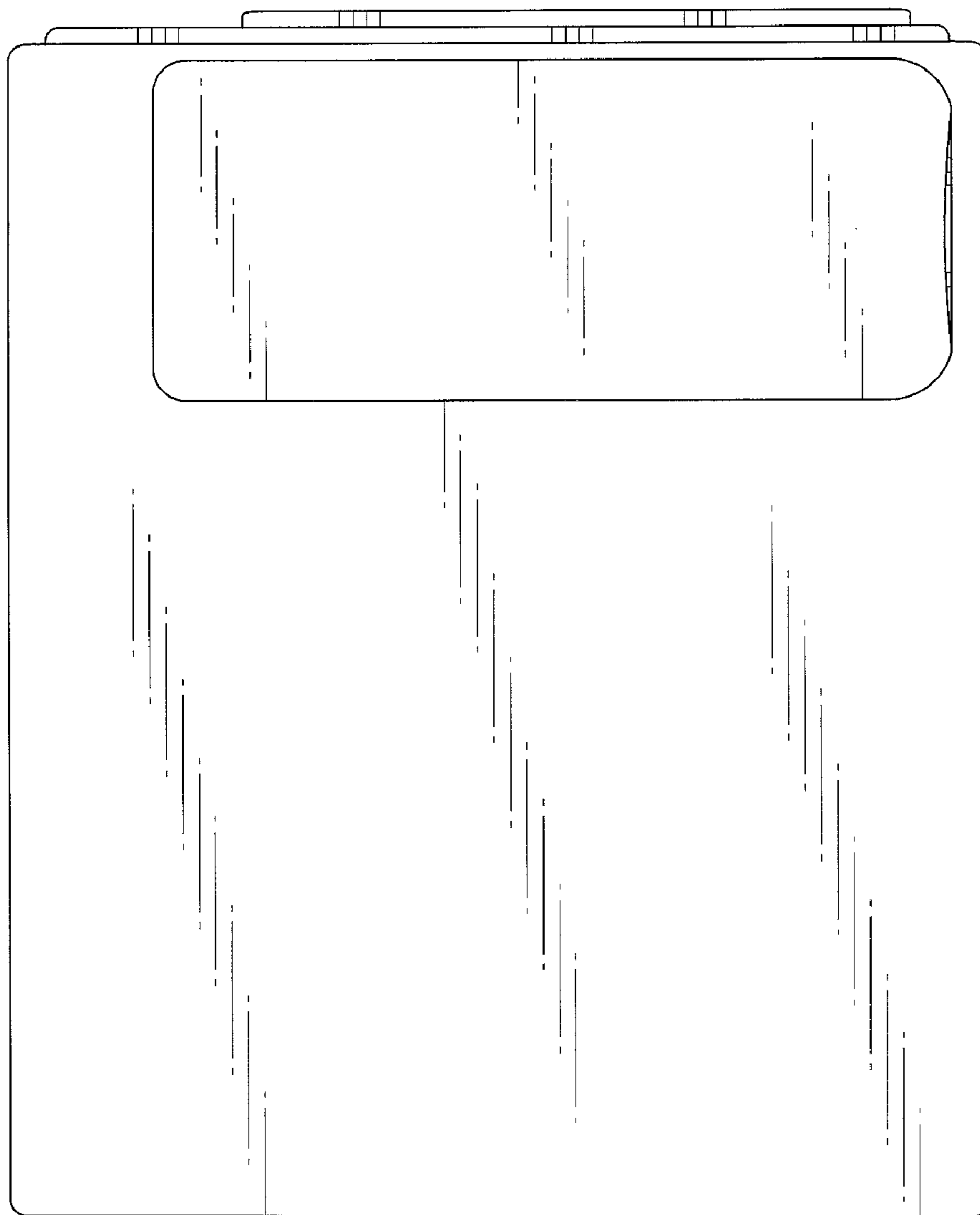


FIG.4

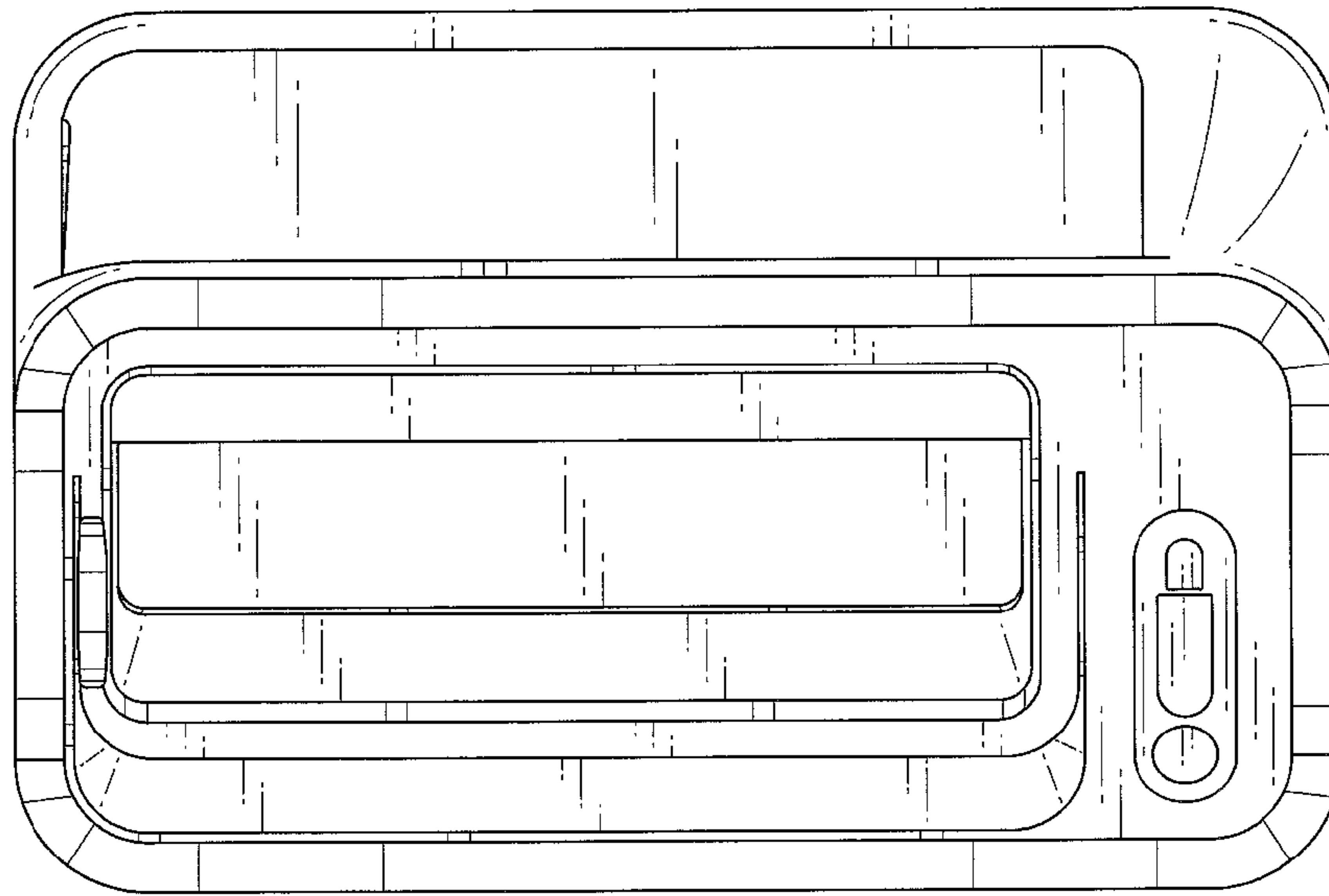


FIG.5

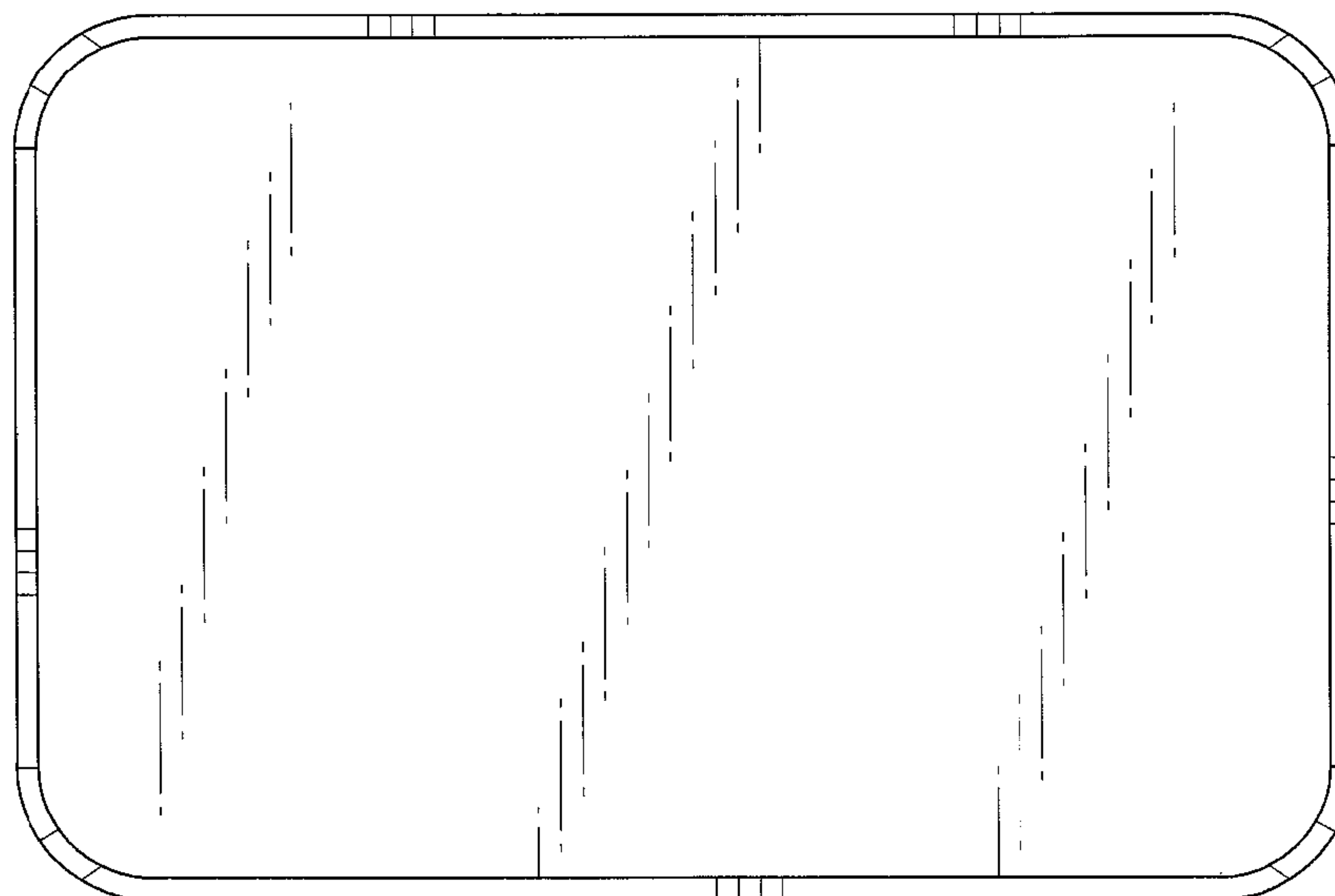


FIG.6

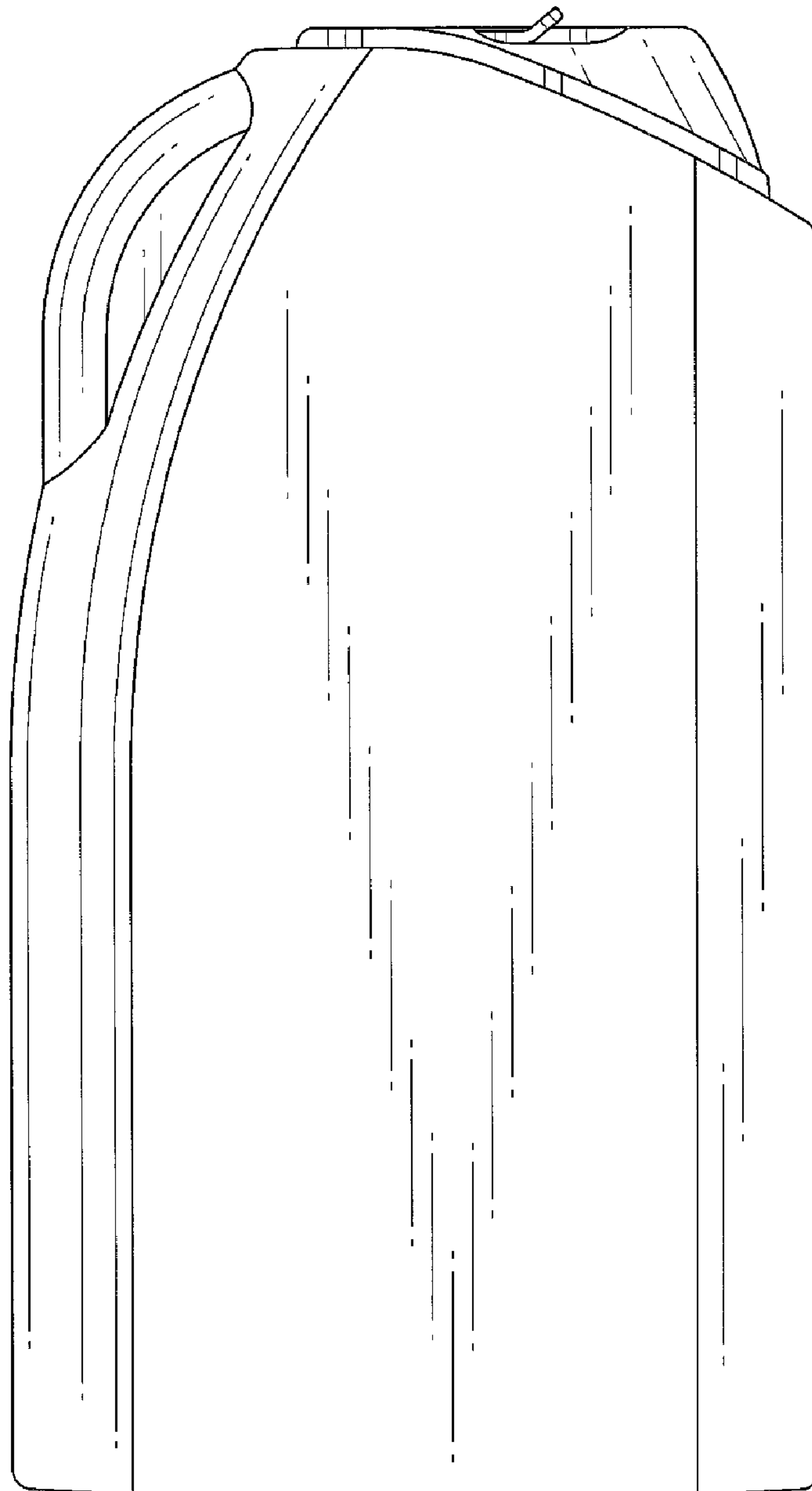


FIG. 7

