



US00D623748S

(12) **United States Design Patent**  
**Horton et al.**

(10) **Patent No.:** **US D623,748 S**

(45) **Date of Patent:** **\*\* Sep. 14, 2010**

(54) **CERVICAL SPINAL IMPLANT WITH LOCK**

6,579,319 B2 6/2003 Goble et al.  
6,743,255 B2 \* 6/2004 Ferree ..... 623/17.11

(76) Inventors: **Kenneth L. Horton**, 174 Oxmoor Rd.,  
Birmingham, AL (US) 35209; **Robert**  
**Masson**, 2706 Rew Cir., Ocoee, FL (US)  
34761

(Continued)

**FOREIGN PATENT DOCUMENTS**

WO 2000/022998 A1 4/2000

(Continued)

**OTHER PUBLICATIONS**

Mathews, "Percutaneous Interbody Fusions", Orthopedic Clinics of  
North America, Oct. 1, 1998, pp. 647-653, vol. 29, Issue 4, published  
by Elsevier, Inc.

(Continued)

*Primary Examiner*—Charles A Rademaker  
(74) *Attorney, Agent, or Firm*—Kenneth M. Bush; Gerald M.  
Walsh; Bush Intellectual Property Law

(\*\*) **Term:** **14 Years**

(21) **Appl. No.:** **29/344,141**

(22) **Filed:** **Sep. 24, 2009**

(51) **LOC (9) Cl.** ..... **24-03**

(52) **U.S. Cl.** ..... **D24/155**

(58) **Field of Classification Search** ..... D24/155-157;  
606/60, 61, 73, 95, 213, 246, 248, 249; 623/17.11-17.16,  
623/23.61, 23.56, 247, 213, 11.11, 16.14,  
623/20.23, 20.33, 33, 41

See application file for complete search history.

(56) **References Cited**

**U.S. PATENT DOCUMENTS**

4,501,269 A	2/1985	Bagby	
4,581,962 A	4/1986	Marbourg	
5,015,247 A	5/1991	Michelson	
5,306,307 A	4/1994	Senter et al.	
5,484,437 A	1/1996	Michelson	
5,489,307 A	2/1996	Kuslich et al.	
5,593,409 A	1/1997	Michelson	
5,741,253 A	4/1998	Michelson	
5,741,261 A	4/1998	Moskovitz et al.	
5,860,973 A	1/1999	Michelson	
5,954,635 A	9/1999	Foley et al.	
6,042,582 A	3/2000	Ray	
6,080,155 A	6/2000	Michelson	
6,210,412 B1	4/2001	Michelson	
6,371,988 B1	4/2002	Pafford et al.	
6,432,140 B1 *	8/2002	Lin ..... 623/17.16	
6,485,518 B1	11/2002	Cornwall et al.	
6,520,907 B1	2/2003	Foley et al.	
6,540,747 B1	4/2003	Marino	
6,562,046 B2	5/2003	Sasso	

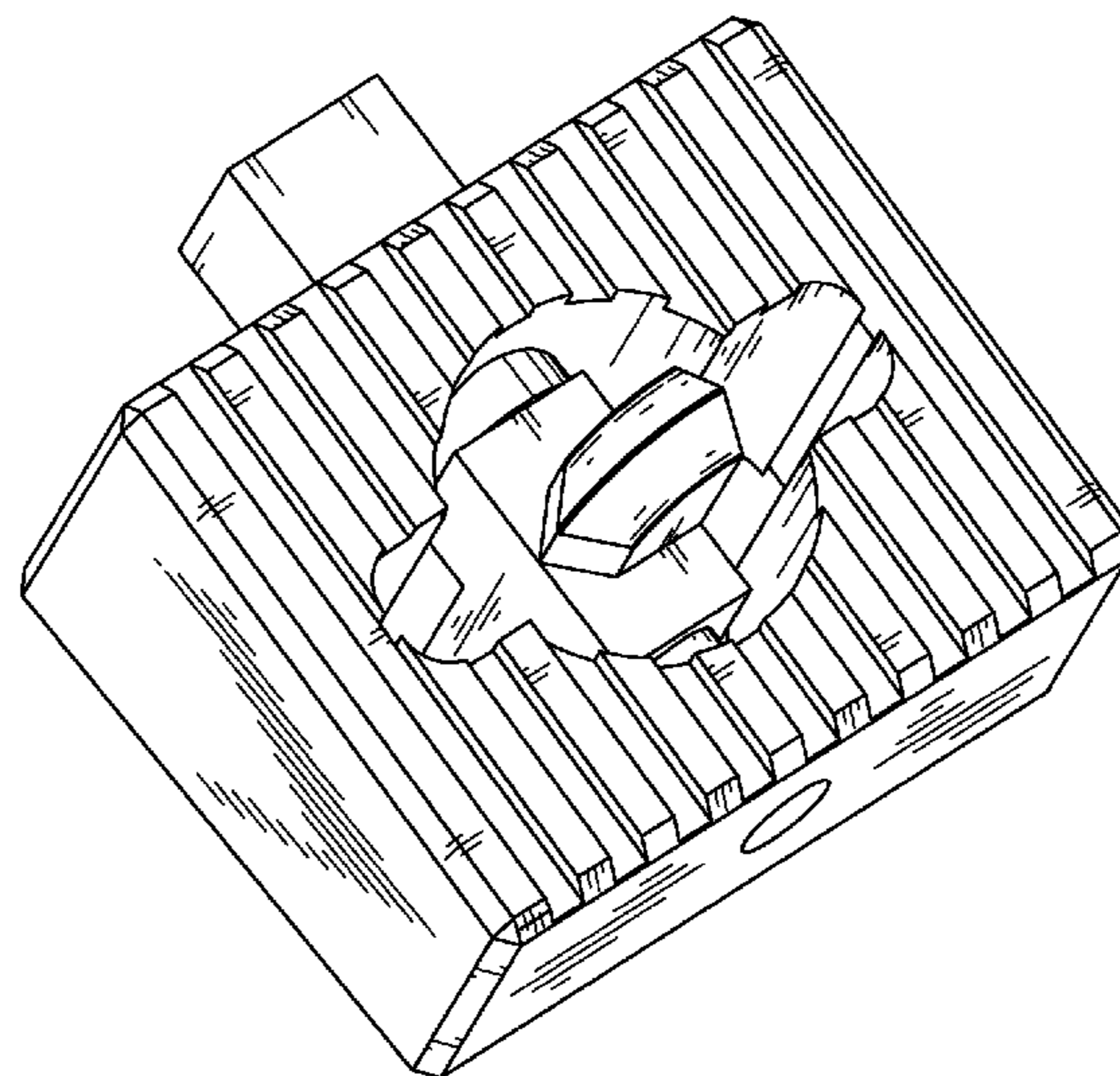
(57) **CLAIM**

We claim the ornamental design for a cervical spinal implant  
with lock, as shown and described.

**DESCRIPTION**

FIG. 1 is a top, front, right perspective view of a cervical  
spinal implant with lock showing our new design;  
FIG. 2 is a bottom, front, left perspective view thereof;  
FIG. 3 is a front elevation view thereof;  
FIG. 4 is a rear elevation view thereof;  
FIG. 5 is a top plan view thereof;  
FIG. 6 is a bottom plan view thereof;  
FIG. 7 is a left side elevation view thereof;  
FIG. 8 is a right side elevation view thereof; and,  
FIG. 9 is a top, rear, right perspective view thereof.

**1 Claim, 5 Drawing Sheets**



# US D623,748 S

Page 2

## U.S. PATENT DOCUMENTS

6,773,460 B2 \* 8/2004 Jackson ..... 623/17.15  
6,837,905 B1 \* 1/2005 Lieberman ..... 623/17.16  
6,902,578 B1 6/2005 Anderson et al.  
6,911,045 B2 \* 6/2005 Shimp ..... 623/17.13  
6,923,810 B1 8/2005 Michelson  
6,923,811 B1 8/2005 Carl et al.  
6,942,698 B1 9/2005 Jackson  
7,066,961 B2 \* 6/2006 Michelson ..... 623/17.16  
7,223,269 B2 5/2007 Chappuis  
D567,377 S \* 4/2008 Blouin et al. .... D24/155  
D574,495 S 8/2008 Petersen  
D574,957 S 8/2008 Petersen  
D581,537 S \* 11/2008 Blouin et al. .... D24/155  
D581,538 S 11/2008 Horton  
7,452,369 B2 11/2008 Barry  
7,655,043 B2 \* 2/2010 Peterman et al. .... 623/17.11  
D611,147 S \* 3/2010 Hanson et al. .... D24/155  
D615,653 S \* 5/2010 Horton ..... D24/155  
2004/0087948 A1 5/2004 Suddaby  
2004/0143268 A1 7/2004 Falahee  
2004/0215344 A1 10/2004 Hochschuler et al.  
2005/0015150 A1 1/2005 Lee  
2005/0065516 A1 3/2005 Jahng  
2005/0149030 A1 7/2005 Serhan et al.

2006/0036264 A1 2/2006 Selover et al.  
2006/0064099 A1 3/2006 Pavlov et al.  
2006/0111779 A1 5/2006 Petersen  
2006/0111782 A1 5/2006 Petersen  
2007/0250166 A1 10/2007 McKay  
2008/0255667 A1 10/2008 Horton  
2009/0131986 A1 5/2009 Lee et al.

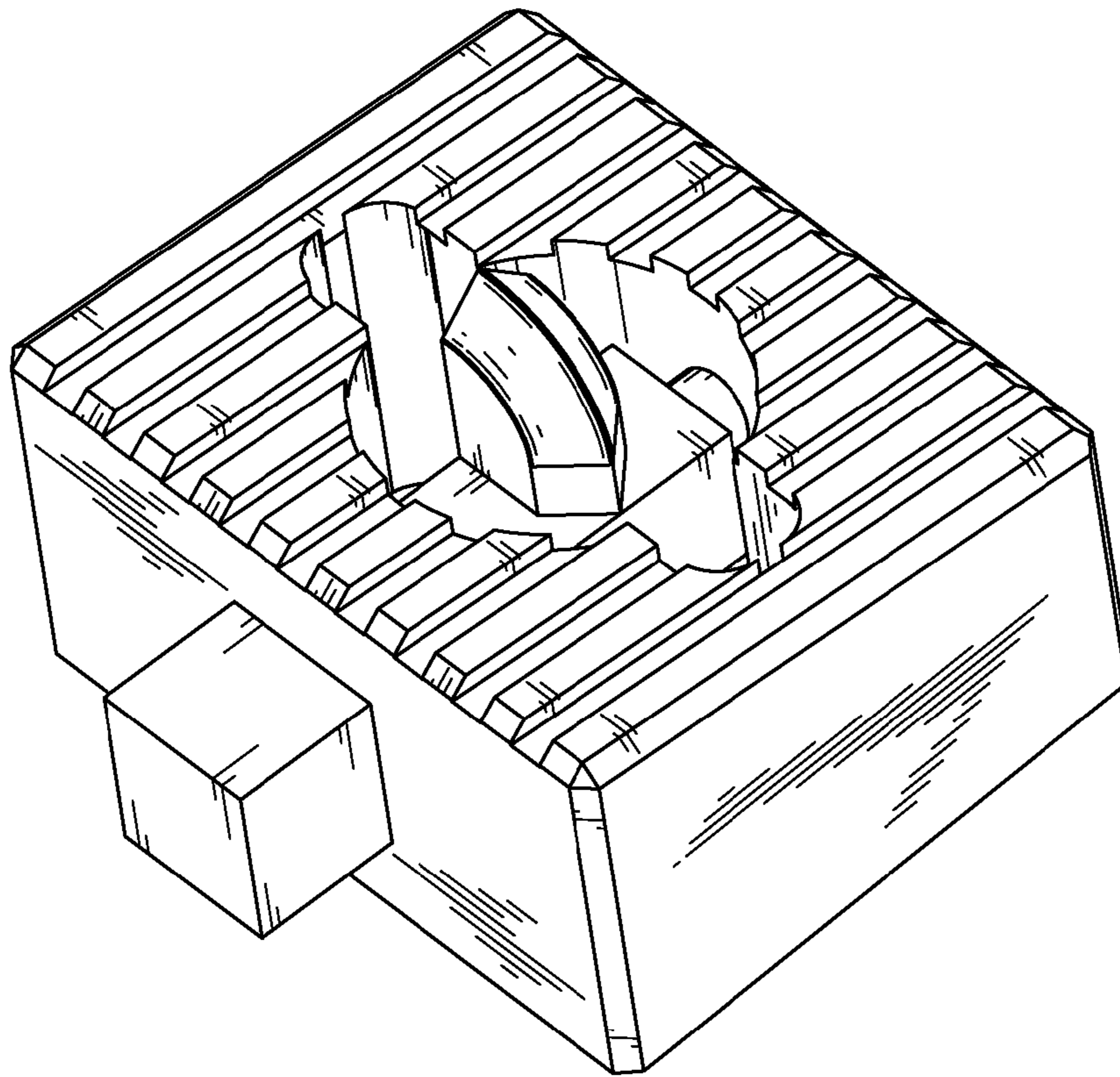
## FOREIGN PATENT DOCUMENTS

WO 2007/120903 A2 10/2007

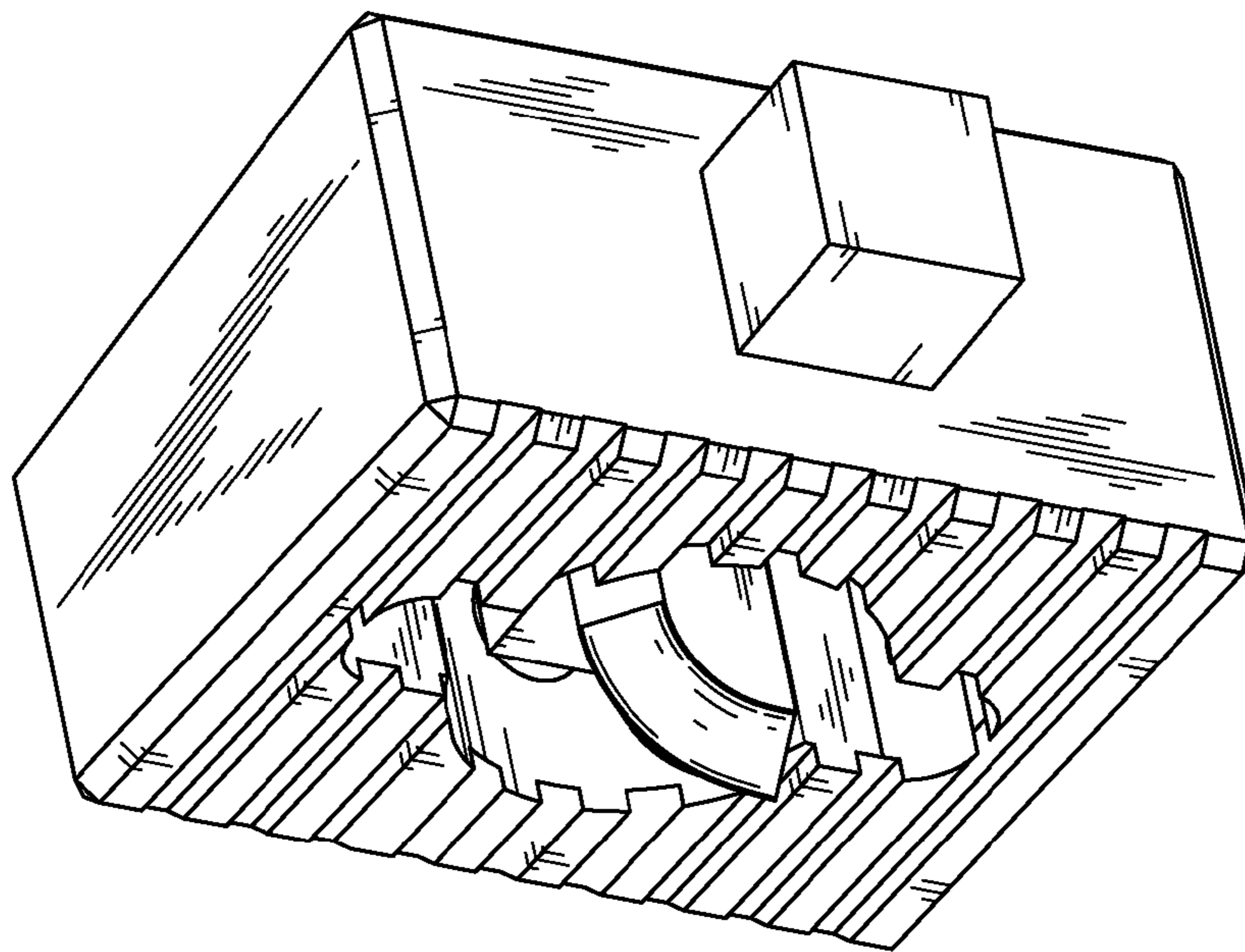
## OTHER PUBLICATIONS

Polly, Jr. et al., "Surgical Treatment for the Painful Motion Segment", SPINE, 2005, pp. S44-S51, vol. 30, No. 16S, published by Lippincott Williams & Wilkins, Inc.  
Powers, et al., "Minimally Invasive Fusion and Fixation Techniques", Neurosurgery Clinics of North America, Oct. 2006, pp. 447-489, vol. 17, Issue 4, published by Elsevier, Inc.  
Seldomridge, et al., "Minimally Invasive Spine Surgery", The American Journal of Orthopedics, May 2005, pp. 224-232.  
Stein, et al., "Percutaneous Facet Joint Fusion: Preliminary Experience", Journal of Vascular and Interventional Radiology, Jan.-Feb. 1993, pp. 69-74, vol. 4, No. 1.

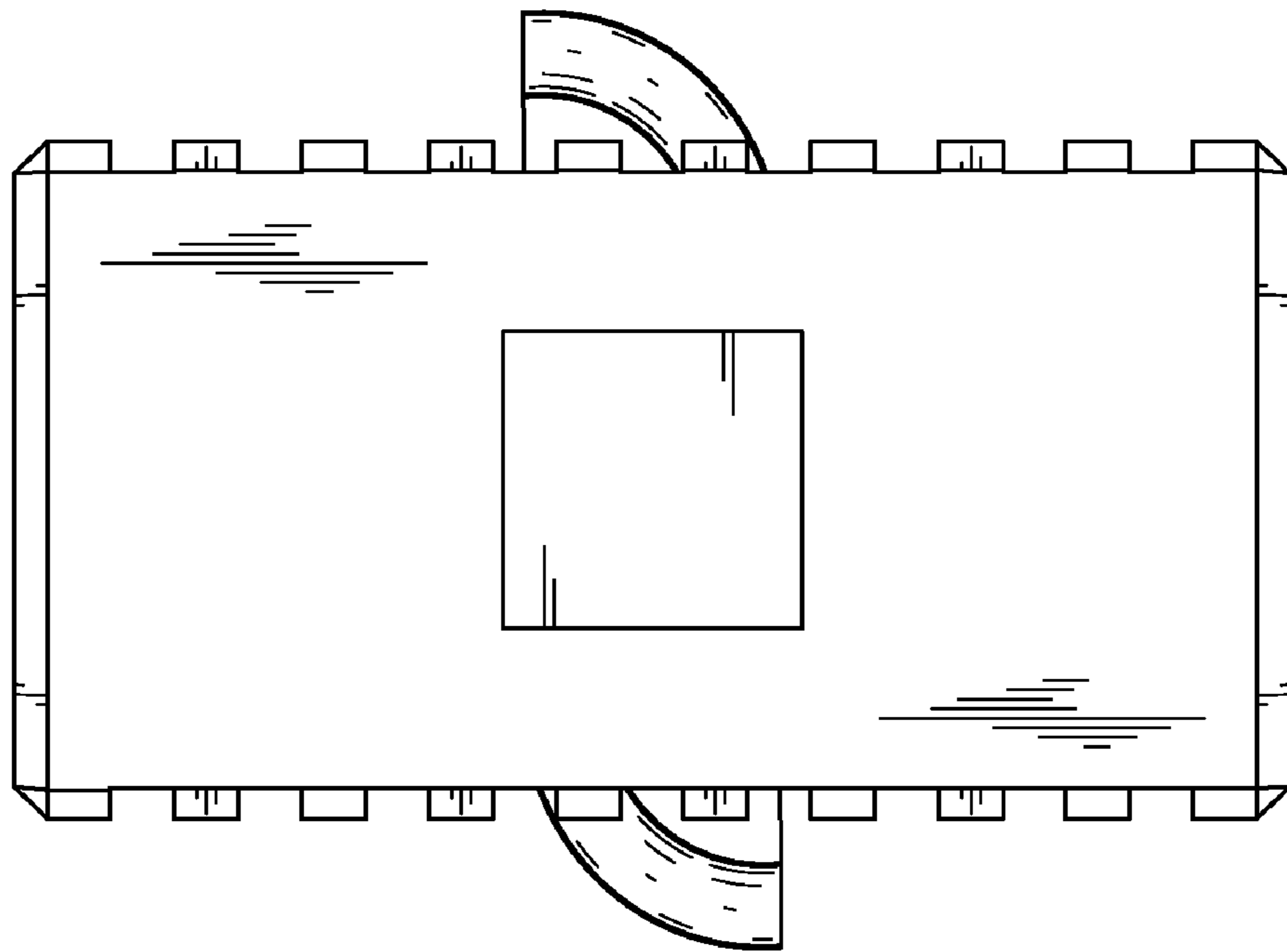
\* cited by examiner



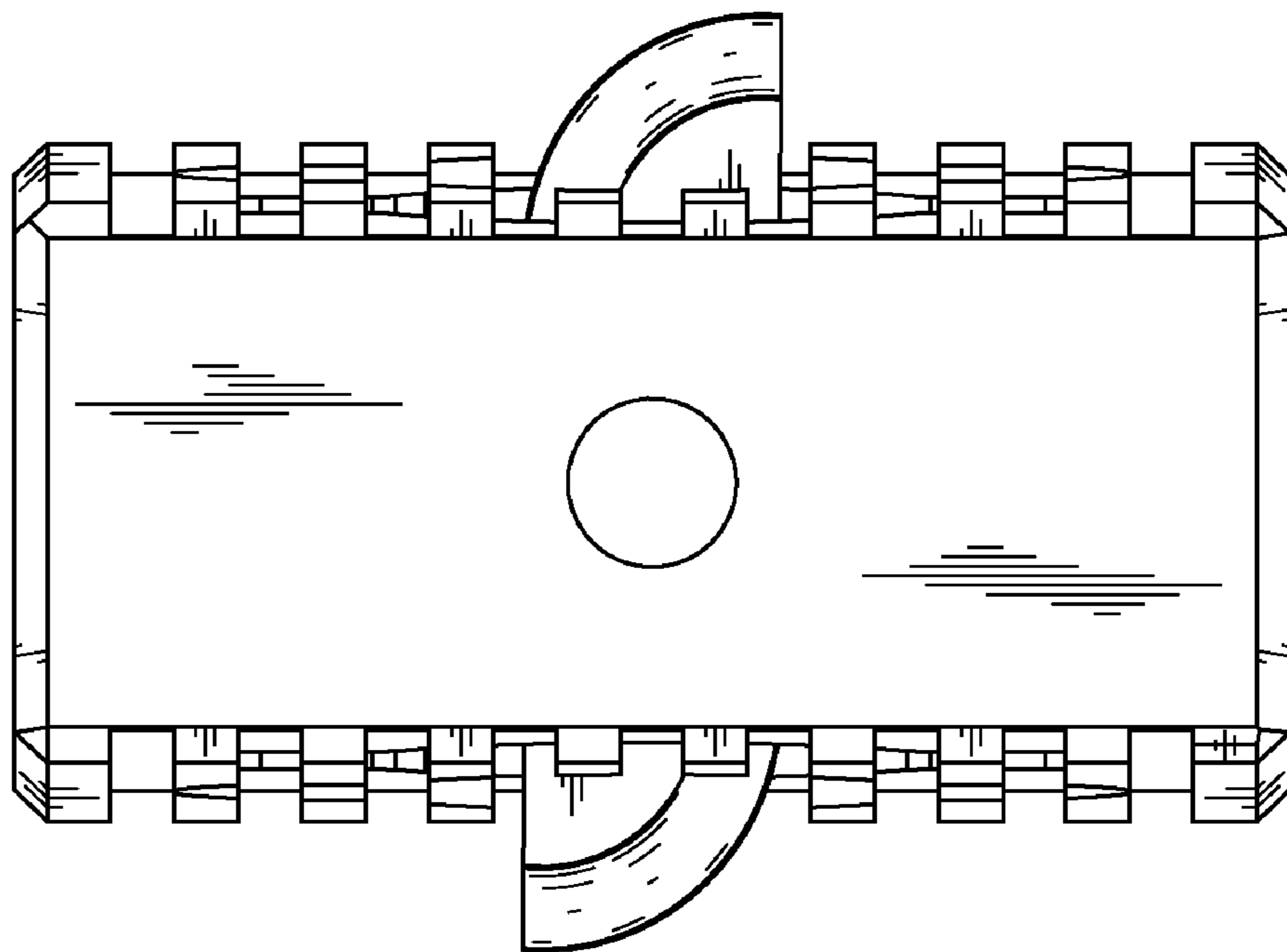
*FIG. 1*



*FIG. 2*



*FIG. 3*



*FIG. 4*

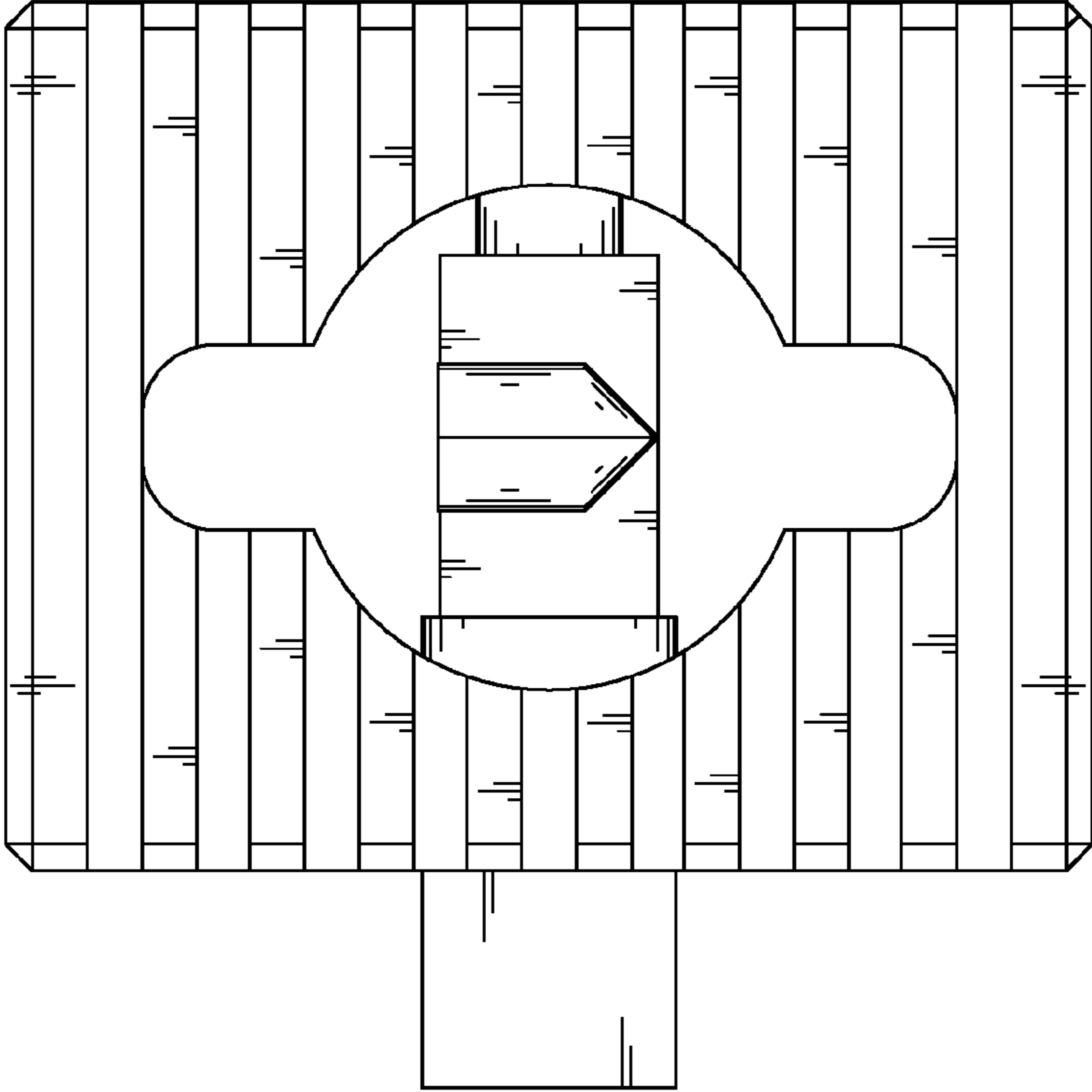


FIG. 5

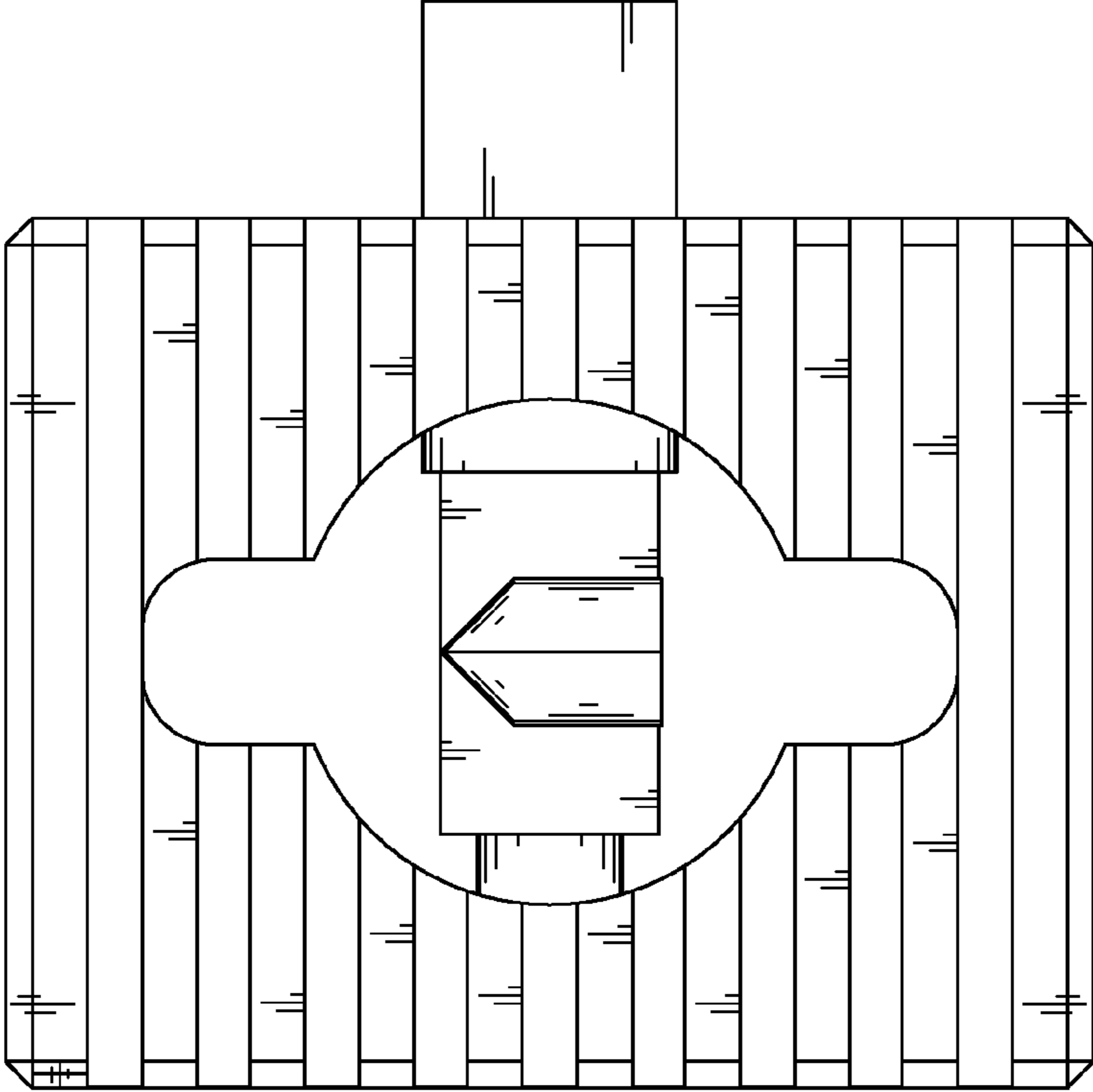
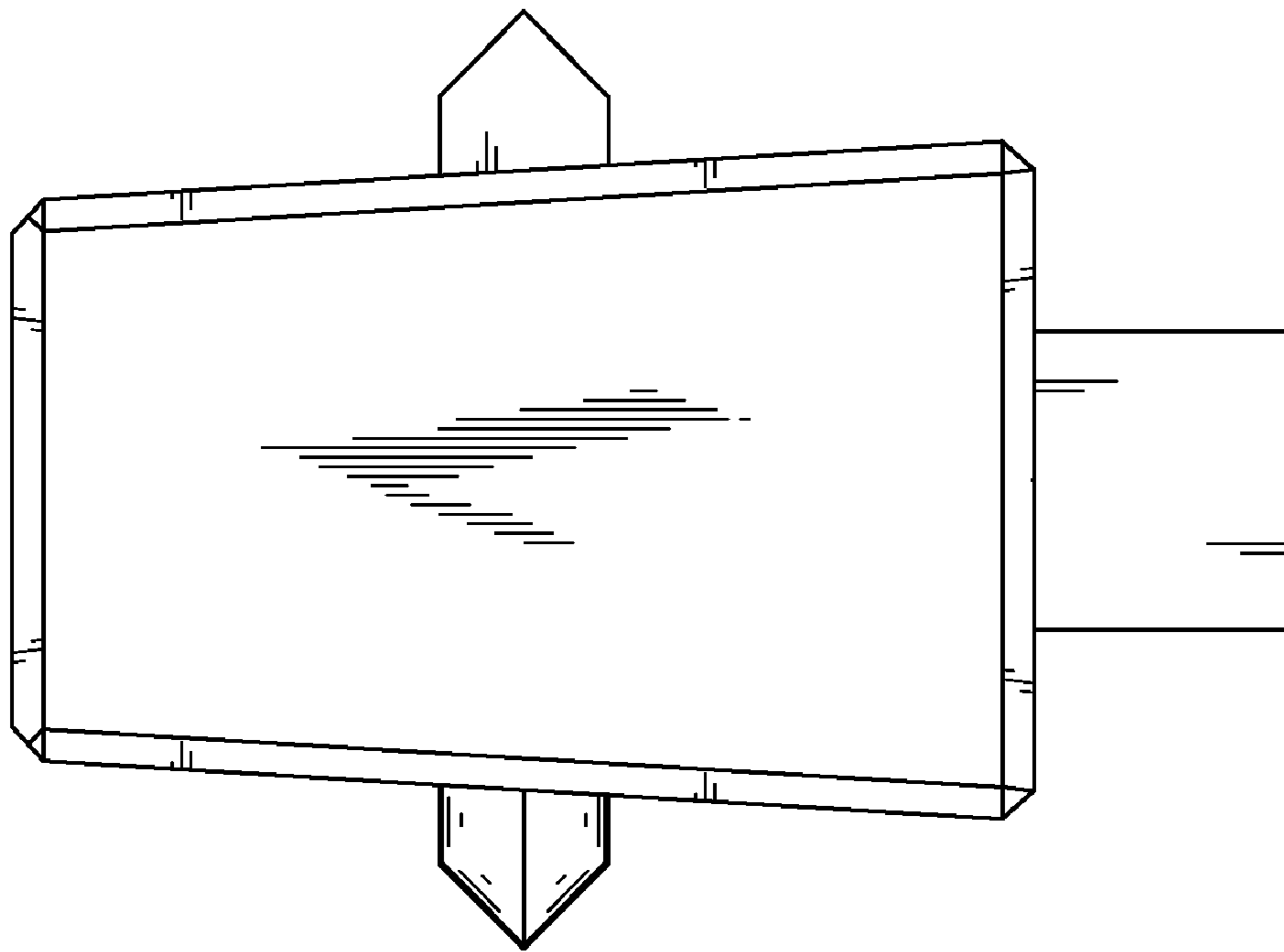
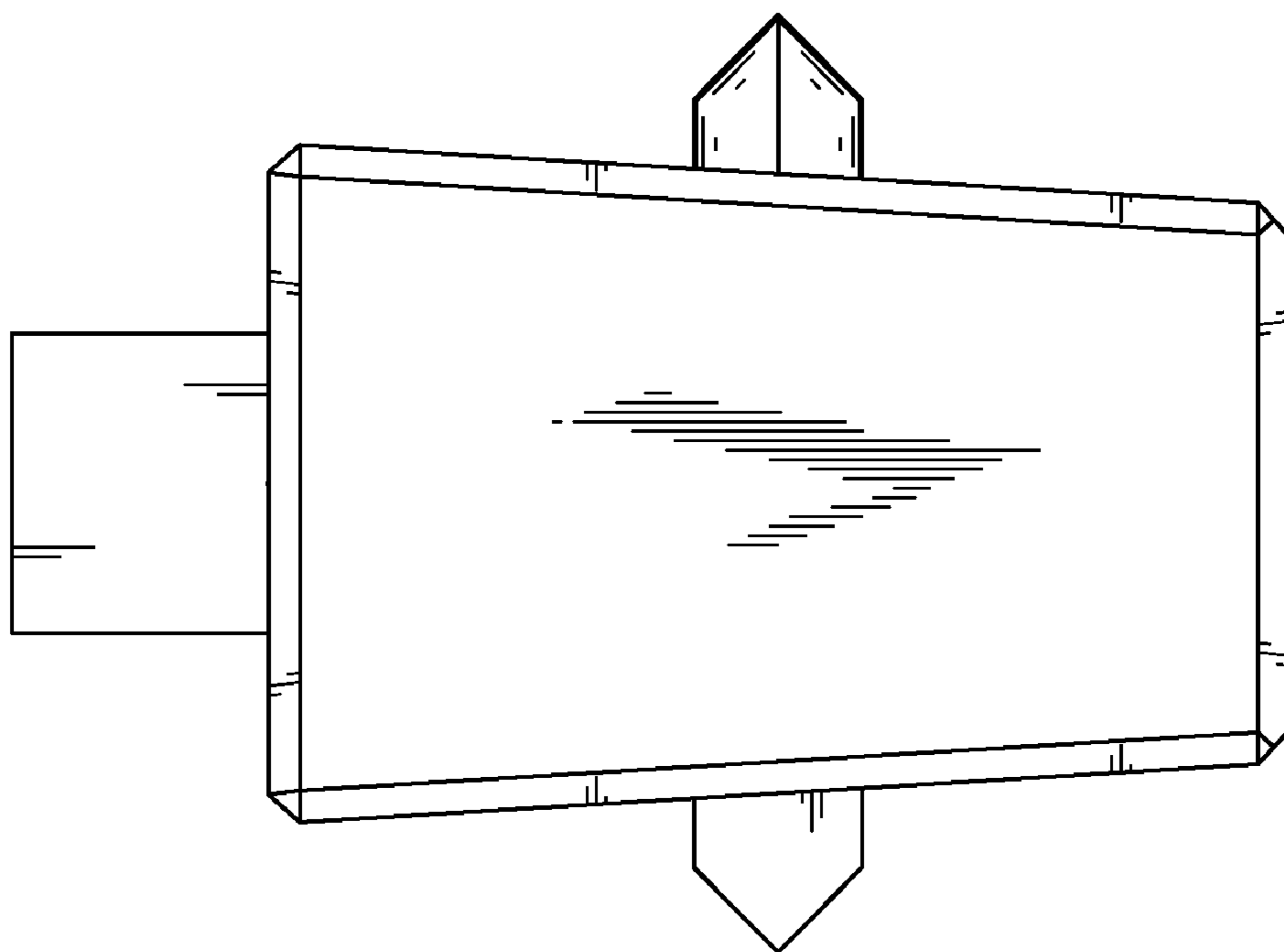


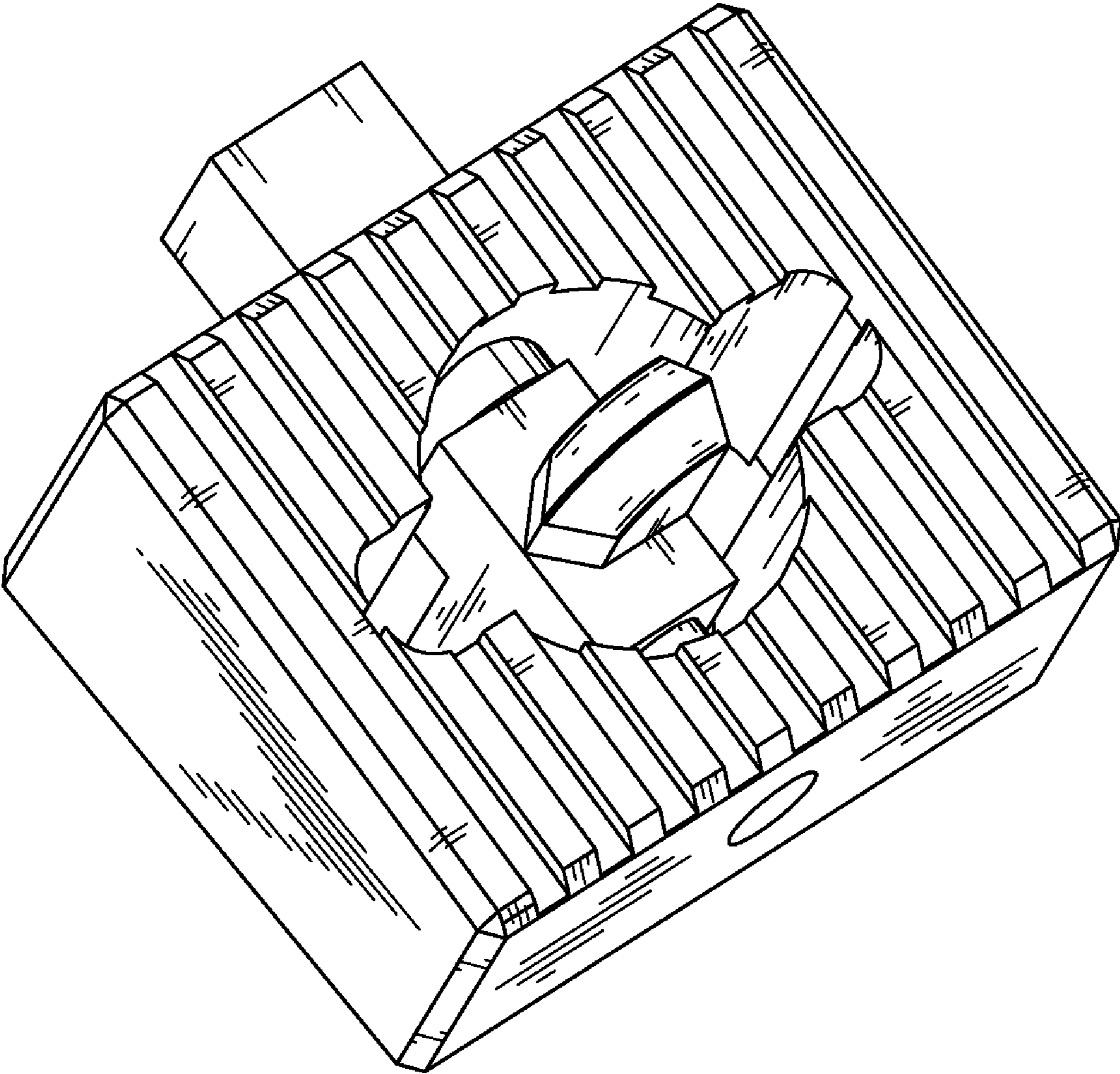
FIG. 6



*FIG. 7*



*FIG. 8*



*FIG. 9*