



US00D623746S

(12) **United States Design Patent**  
**Laskowitz et al.**

(10) **Patent No.:** **US D623,746 S**

(45) **Date of Patent:** **\*\* Sep. 14, 2010**

(54) **SPINAL IMPLANT**

(75) Inventors: **Daniel Laskowitz**, Philadelphia, PA (US); **Michael L. Boyer, II**, Phoenixville, PA (US); **Adam Friedrich**, Cinnaminson, NJ (US); **Andrew Iott**, Villanova, PA (US); **Edward Karpowicz**, Swedesboro, NJ (US)

(73) Assignee: **Globus Medical, Inc.**, Audubon, PA (US)

(\*\*) Term: **14 Years**

(21) Appl. No.: **29/320,352**

(22) Filed: **Jun. 25, 2008**

(51) **LOC (9) Cl.** ..... **24-03**

(52) **U.S. Cl.** ..... **D24/155**

(58) **Field of Classification Search** ..... D24/155-157; 623/11.11, 16, 14, 20.23, 20.33, 33, 41, 17.11-17.16  
See application file for complete search history.

(56) **References Cited**

**U.S. PATENT DOCUMENTS**

4,025,964	A *	5/1977	Owens	.....	623/11.11
6,123,705	A *	9/2000	Michelson	.....	623/17.16
6,387,130	B1 *	5/2002	Stone et al.	.....	623/17.16
6,626,944	B1 *	9/2003	Taylor	.....	623/17.16
6,719,798	B2 *	4/2004	Metz-Stavenhagen	....	623/17.16
6,926,737	B2 *	8/2005	Jackson	.....	623/17.16
6,960,232	B2 *	11/2005	Lyons et al.	.....	623/17.16

7,351,262	B2 *	4/2008	Bindseil et al.	.....	623/17.16
7,537,613	B2 *	5/2009	Arnin et al.	.....	623/17.13
7,615,078	B2 *	11/2009	White et al.	.....	623/17.16
7,621,951	B2 *	11/2009	Glenn et al.	.....	623/17.11
7,632,313	B2 *	12/2009	Bhatnagar et al.	.....	623/17.16

\* cited by examiner

*Primary Examiner*—Charles A Rademaker

(57) **CLAIM**

The ornamental design for a spinal implant, as shown and described herein.

**DESCRIPTION**

This application claims priority to a co-pending U.S. application Ser. No. 12/130,388, filed on May 30, 2008, herein incorporated by reference in its entirety for all purposes.

FIG. 1 is a perspective view of a spinal implant showing our new design;

FIG. 2 is a back view thereof;

FIG. 3 is a front view thereof;

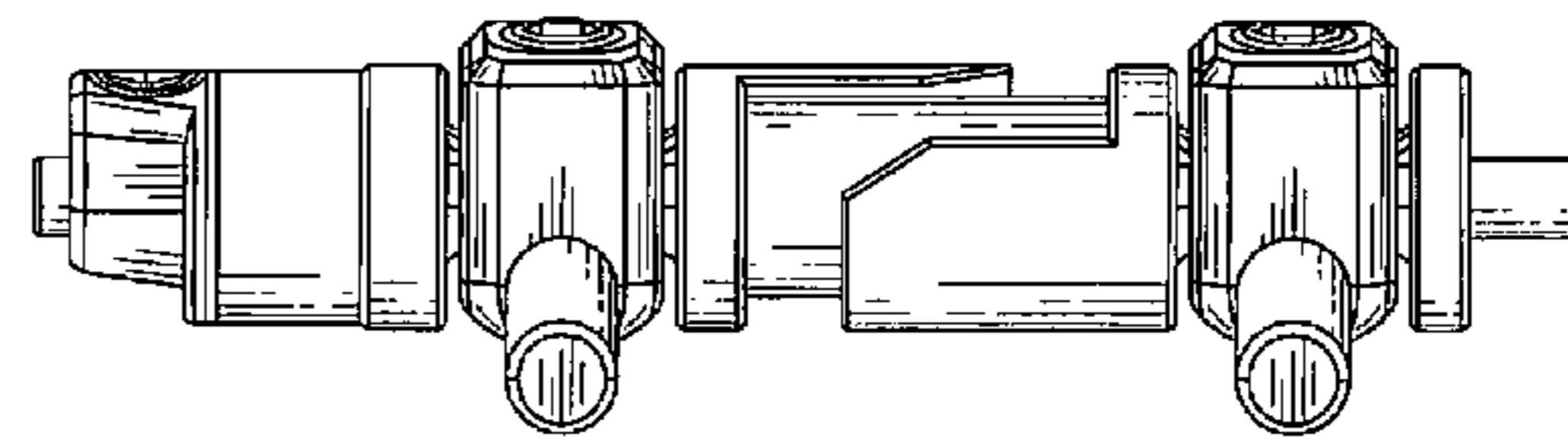
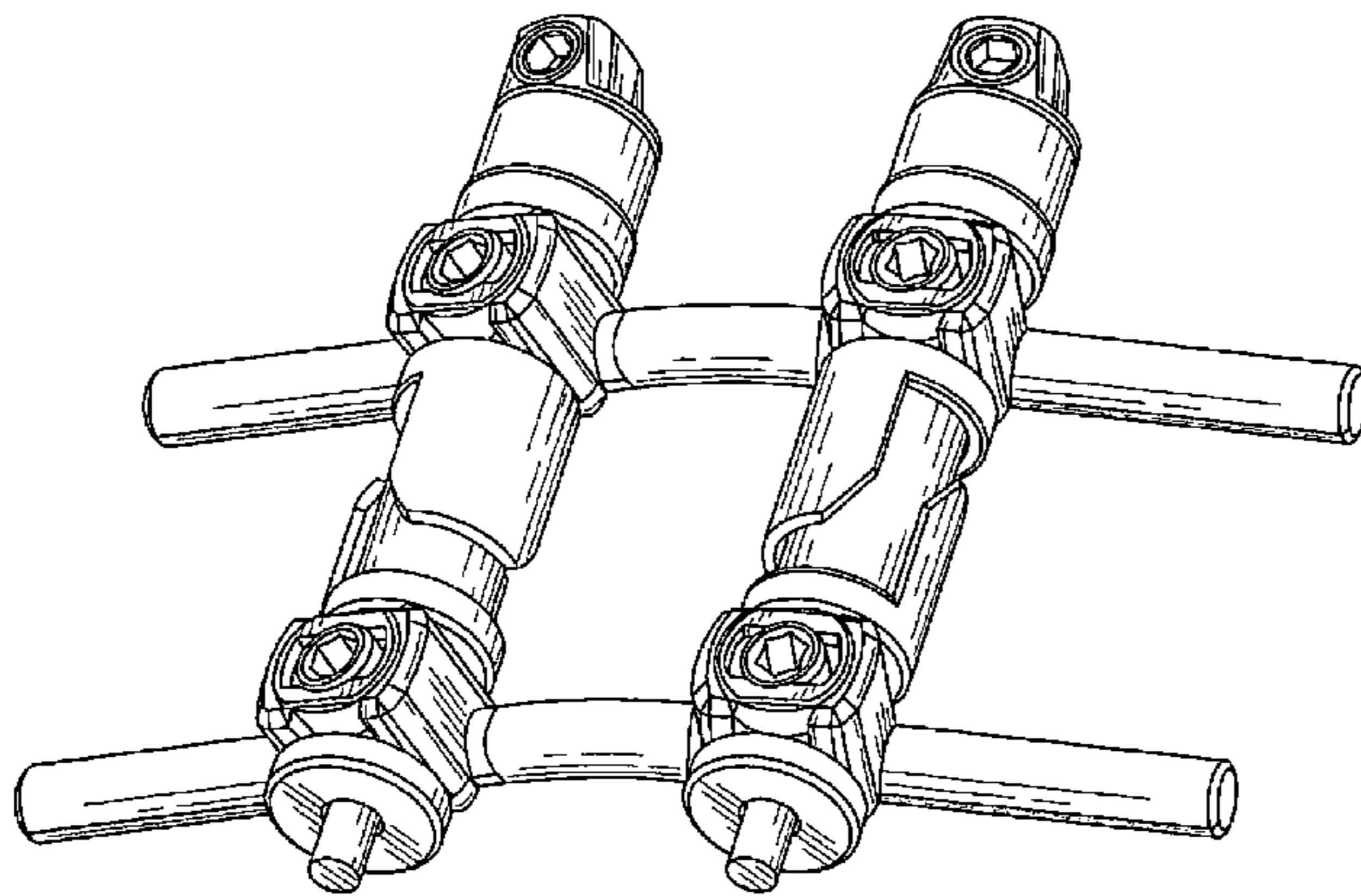
FIG. 4 is a top plan view thereof wherein broken lines are used to illustrate structure forming no part of the claim;

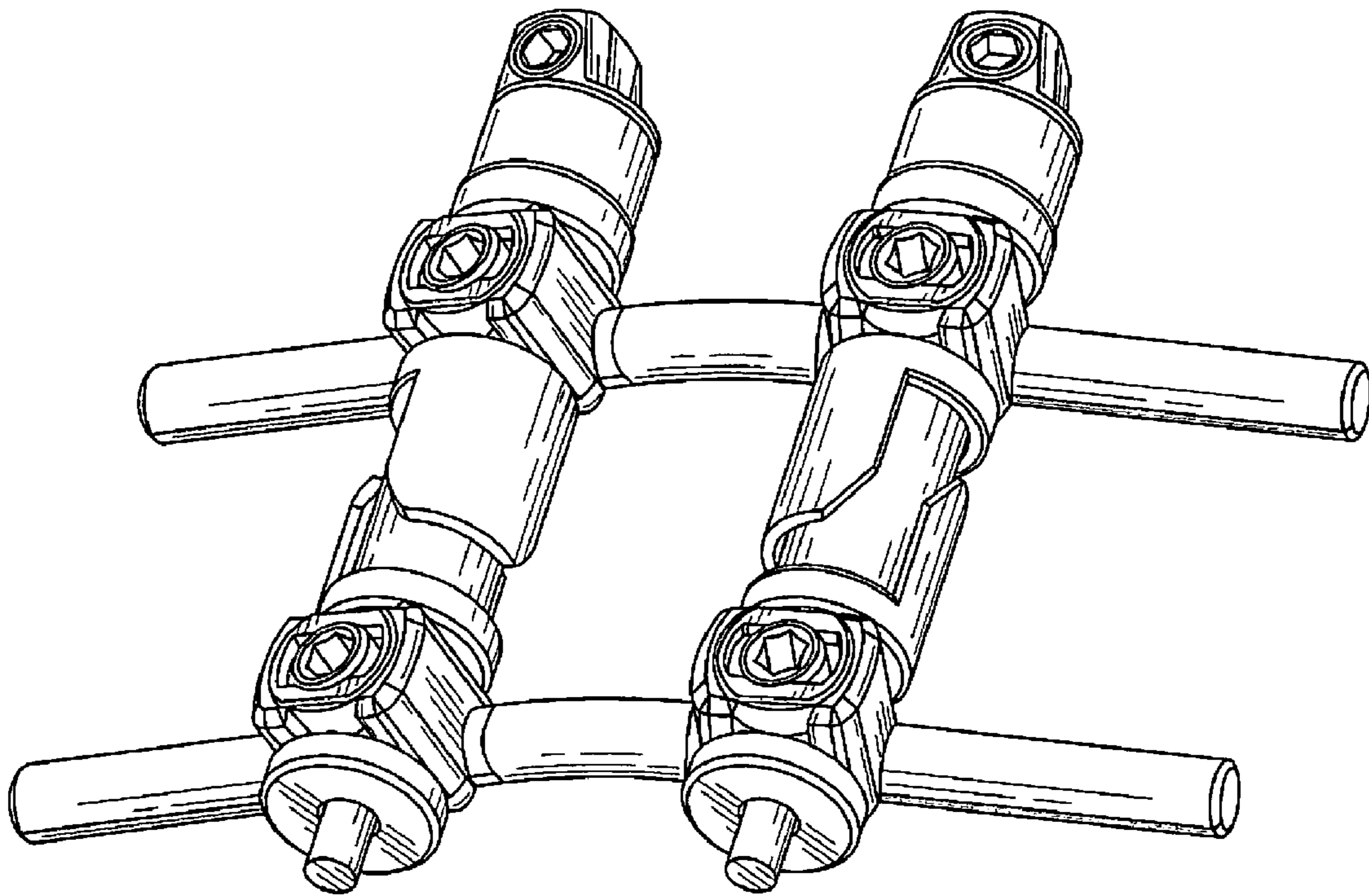
FIG. 5 is a bottom plan view thereof;

FIG. 6 is a side view thereof; and,

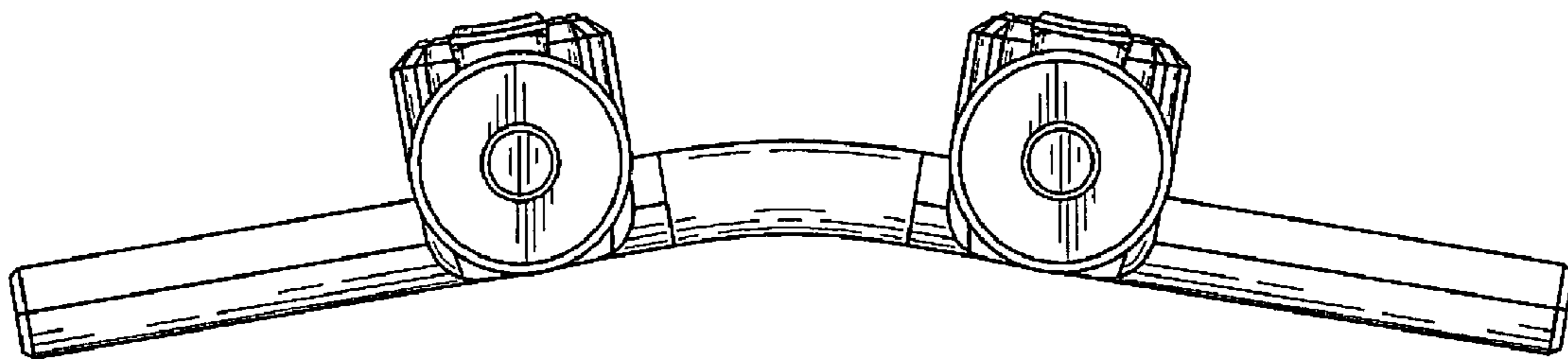
FIG. 7 is a side view of the side opposite that shown in FIG. 6.

**1 Claim, 3 Drawing Sheets**

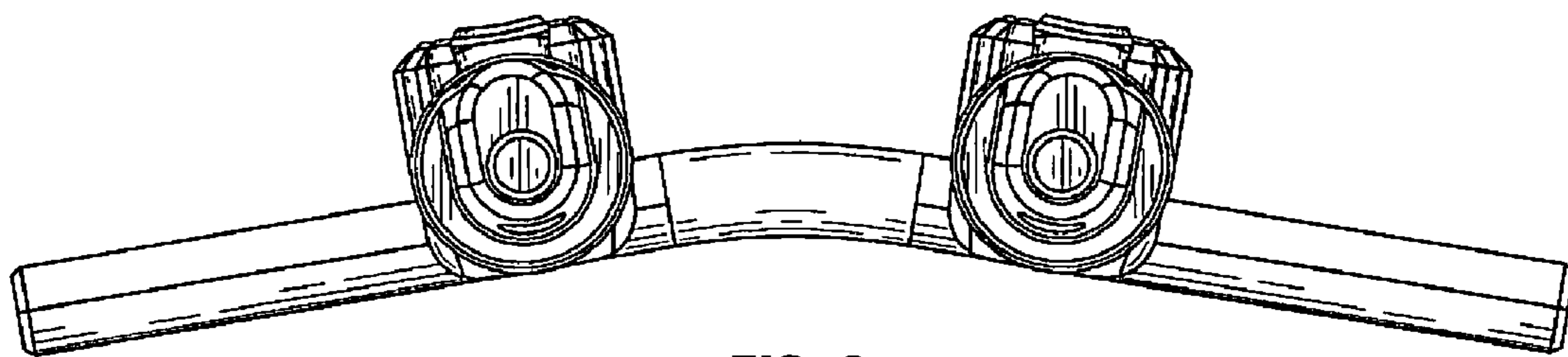




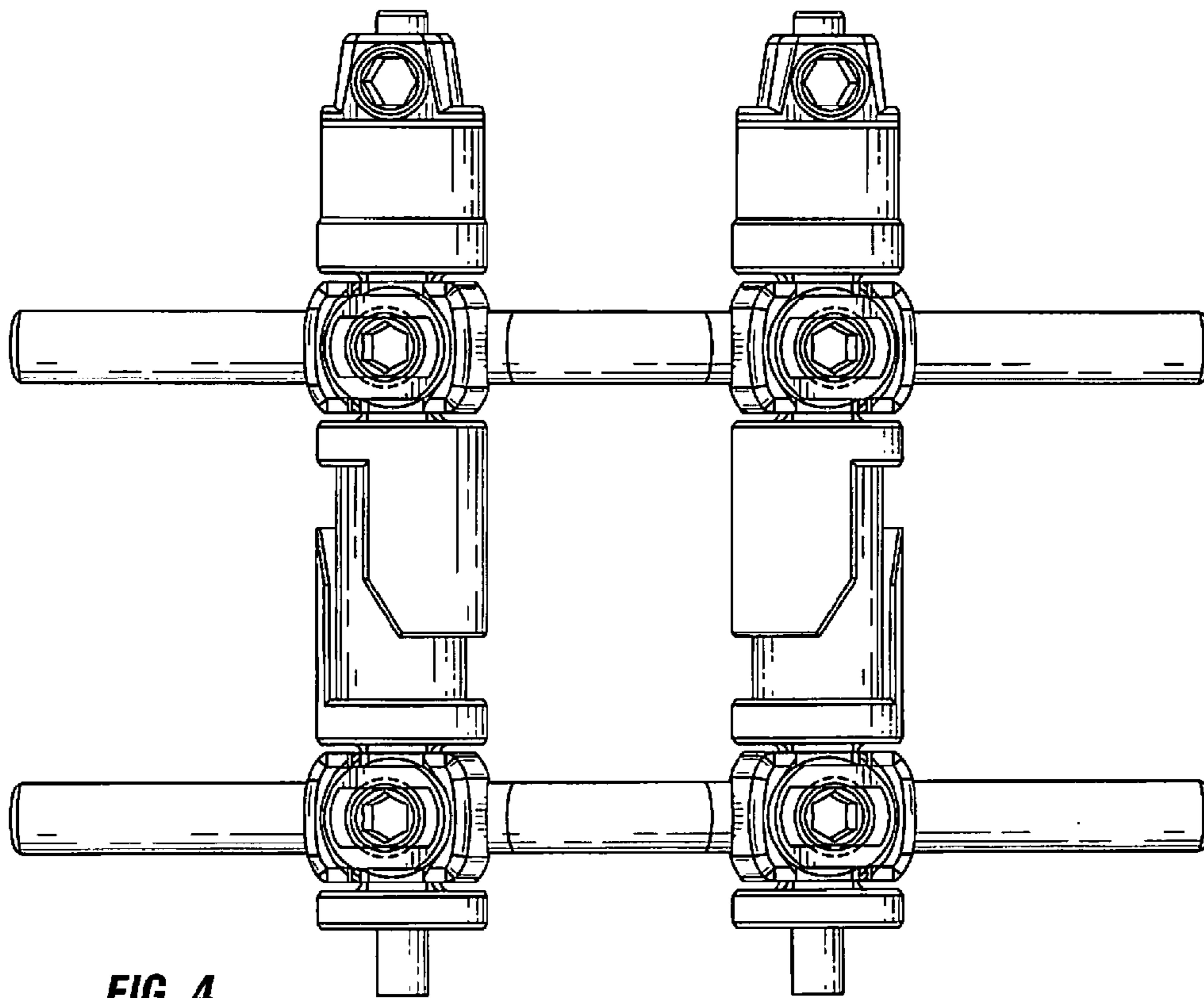
**FIG. 1**



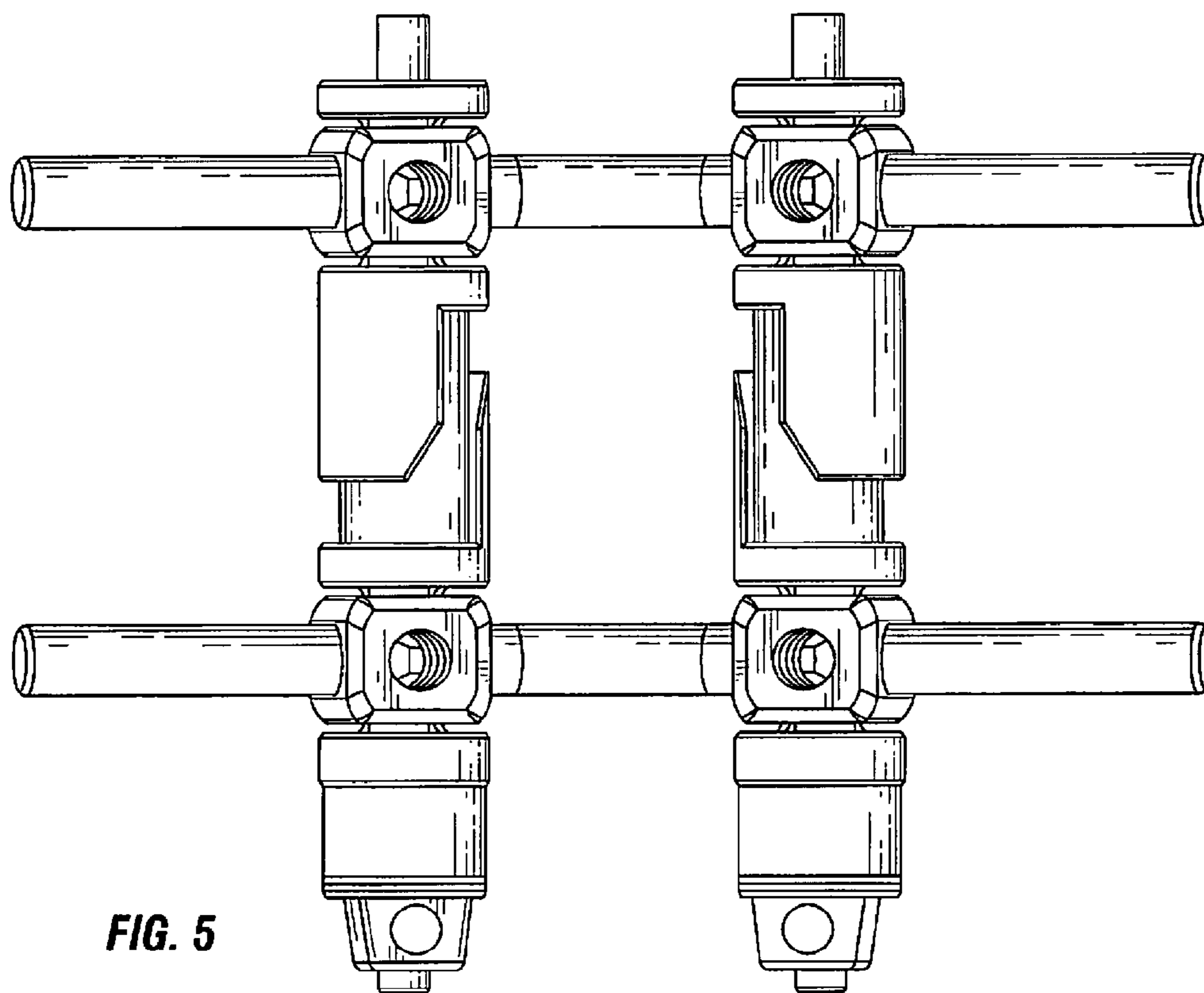
**FIG. 2**



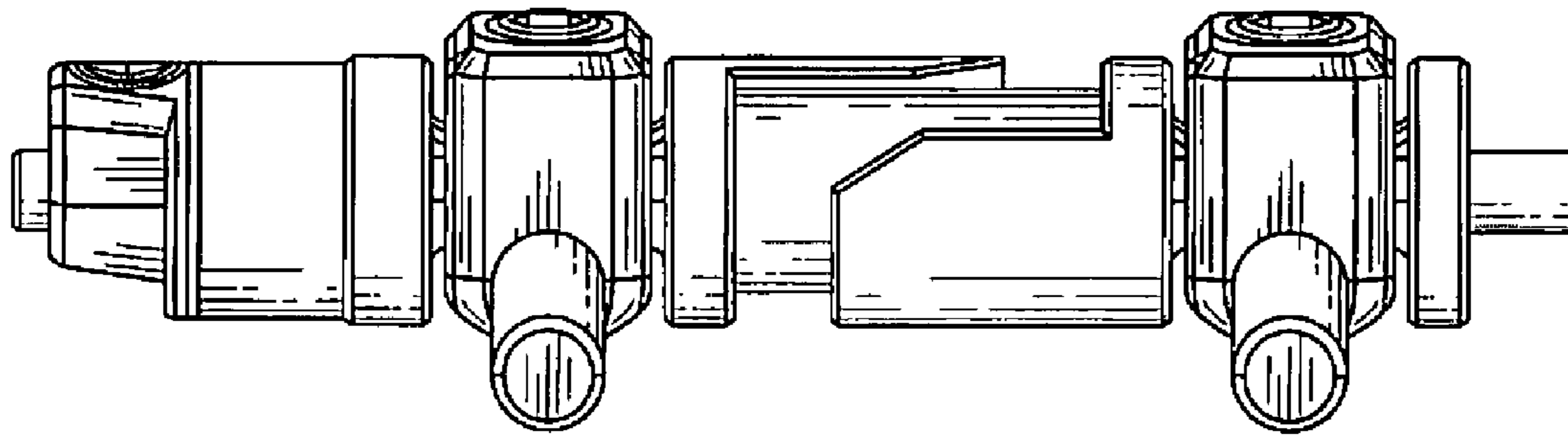
**FIG. 3**



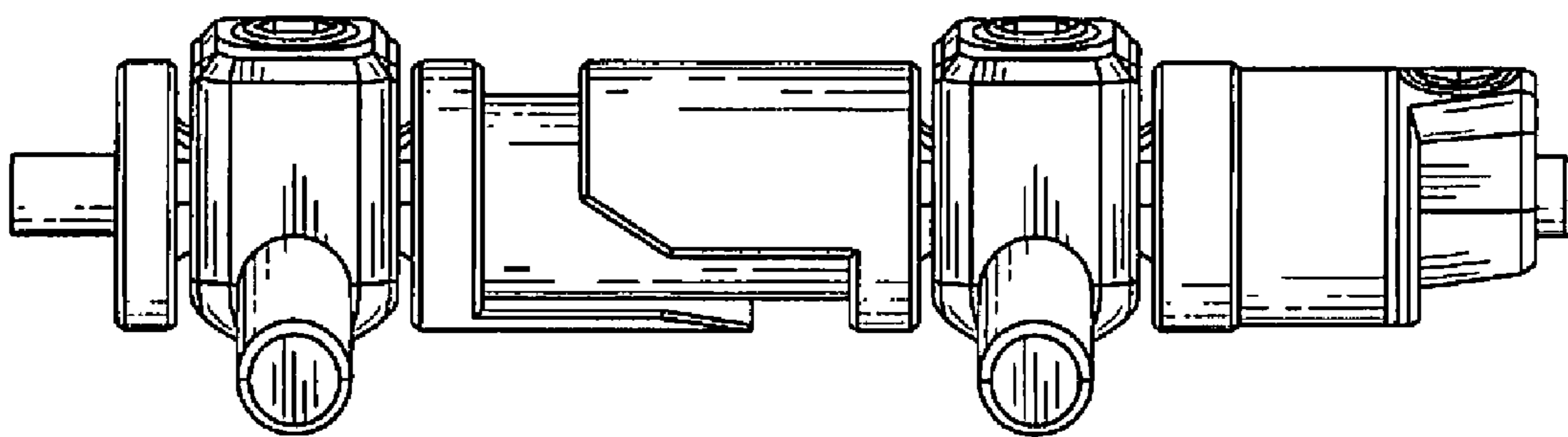
**FIG. 4**



**FIG. 5**



**FIG. 6**



**FIG. 7**