



US00D623742S

(12) **United States Design Patent**
Ruf

(10) **Patent No.:** **US D623,742 S**

(45) **Date of Patent:** **** Sep. 14, 2010**

(54) **LANCING DEVICE**

6,010,519 A 1/2000 Mawhirt et al.

6,042,595 A 3/2000 Morita

(75) Inventor: **Christopher J. Ruf**, Marietta, GA (US)

(73) Assignee: **Facet Technologies, LLC**, Kennesaw, GA (US)

(Continued)

(**) Term: **14 Years**

FOREIGN PATENT DOCUMENTS

(21) Appl. No.: **29/351,796**

JP 2000245715 9/2000

(22) Filed: **Dec. 11, 2009**

(51) **LOC (9) Cl.** **24-02**

(52) **U.S. Cl.** **D24/146**

(58) **Field of Classification Search** D24/113,
D24/114, 130, 133, 146-147; 600/385, 573,
600/583; 606/167, 172, 181-185; 210/453

See application file for complete search history.

Primary Examiner—Freda S Nunn

(74) *Attorney, Agent, or Firm*—Gardner Groff Greenwald & Villanueva, P.C.

(57) **CLAIM**

The ornamental design for a lancing device, substantially as shown and described.

(56) **References Cited**

U.S. PATENT DOCUMENTS

3,760,809 A	9/1973	Campbell, Jr.	
D228,815 S	10/1973	Campbell	
D245,040 S	7/1977	Thomas	
4,064,871 A	12/1977	Reno	
D248,046 S *	5/1978	Tada	D24/113
4,539,988 A	9/1985	Shirley et al.	
4,628,929 A	12/1986	Intengan et al.	
4,643,189 A	2/1987	Mintz	
4,715,374 A	12/1987	Maggio	
4,735,203 A	4/1988	Ryder et al.	
D297,978 S	10/1988	White	
4,892,097 A	1/1990	Ranalletta et al.	
5,133,730 A	7/1992	Biro et al.	
5,314,441 A	5/1994	Cusack et al.	
5,397,334 A	3/1995	Schenk et al.	
5,476,474 A	12/1995	Davis et al.	
5,518,006 A	5/1996	Mawhirt et al.	
5,527,334 A	6/1996	Kanner et al.	
D374,719 S *	10/1996	Py	D24/120
5,628,765 A	5/1997	Morita	
5,645,555 A	7/1997	Davis et al.	
5,772,677 A	6/1998	Mawhirt et al.	
5,797,940 A	8/1998	Mawhirt et al.	
5,951,582 A	9/1999	Thorne et al.	

DESCRIPTION

FIG. 1 is a perspective view of a lancing device according to an embodiment of the design.

FIG. 2 is a first end view of the lancing device design of FIG. 1.

FIG. 3 is a second end view of the lancing device design of FIG. 1.

FIG. 4 is a first side view of the lancing device design of FIG. 1.

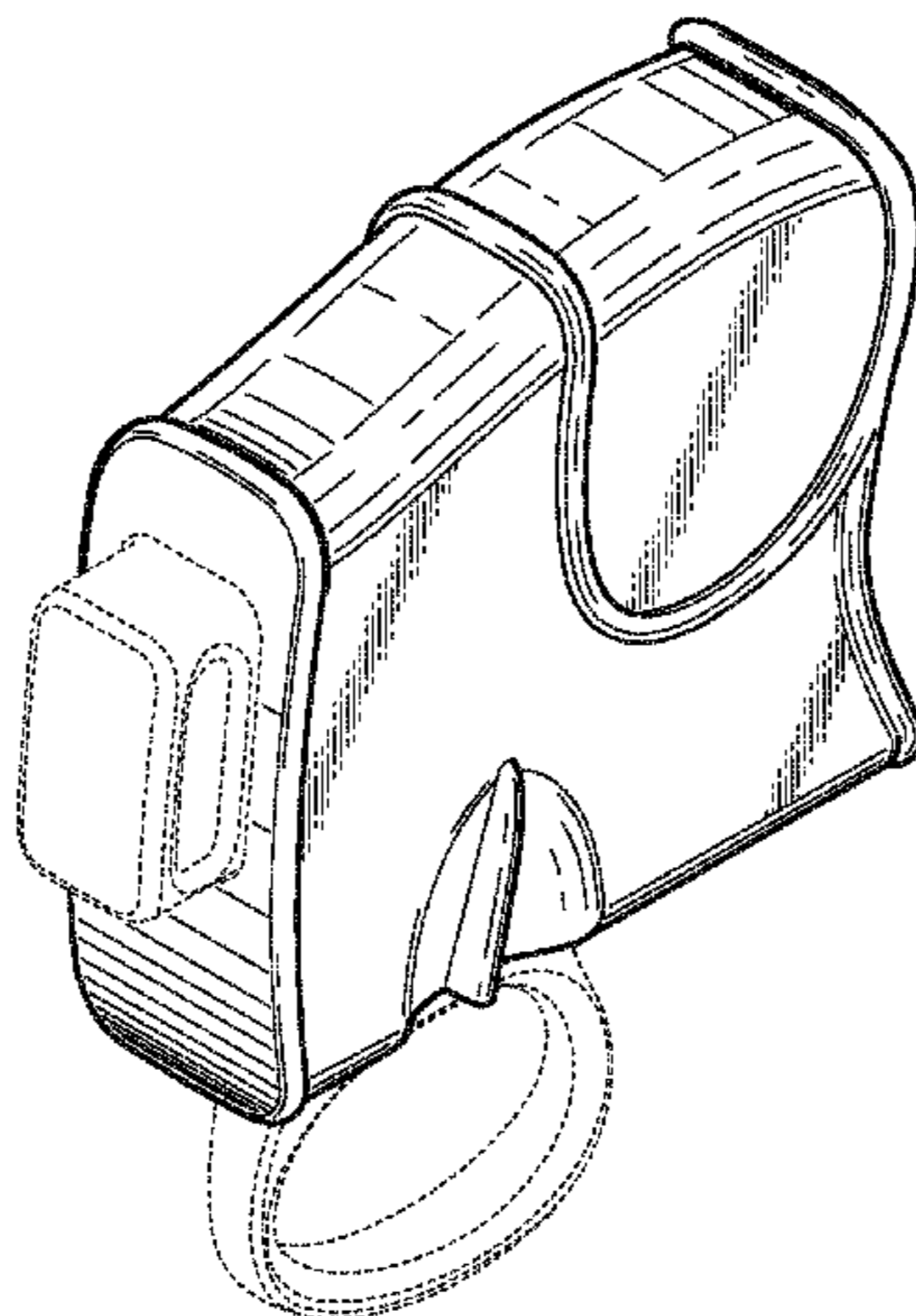
FIG. 5 is a second side view of the lancing device design of FIG. 1.

FIG. 6 is a top view of the lancing device design of FIG. 1; and,

FIG. 7 is a bottom view of the lancing device design of FIG. 1.

Broken lines shown in the drawings illustrate portions of the lancing device, and form no part of the claimed design.

1 Claim, 3 Drawing Sheets



US D623,742 S

Page 2

U.S. PATENT DOCUMENTS

D422,697 S	*	4/2000	Bellhouse et al.	D24/112	D581,533 S		11/2008	Ruf et al.	
D450,614 S	*	11/2001	Wilkinson	D11/3	2005/0154410 A1		7/2005	Conway et al.	
D557,807 S		12/2007	McCarty		2005/0256534 A1*		11/2005	Alden et al.	606/182
D566,273 S	*	4/2008	Gutmann et al.	D24/146	2007/0032813 A1*		2/2007	Flynn et al.	606/181

* cited by examiner

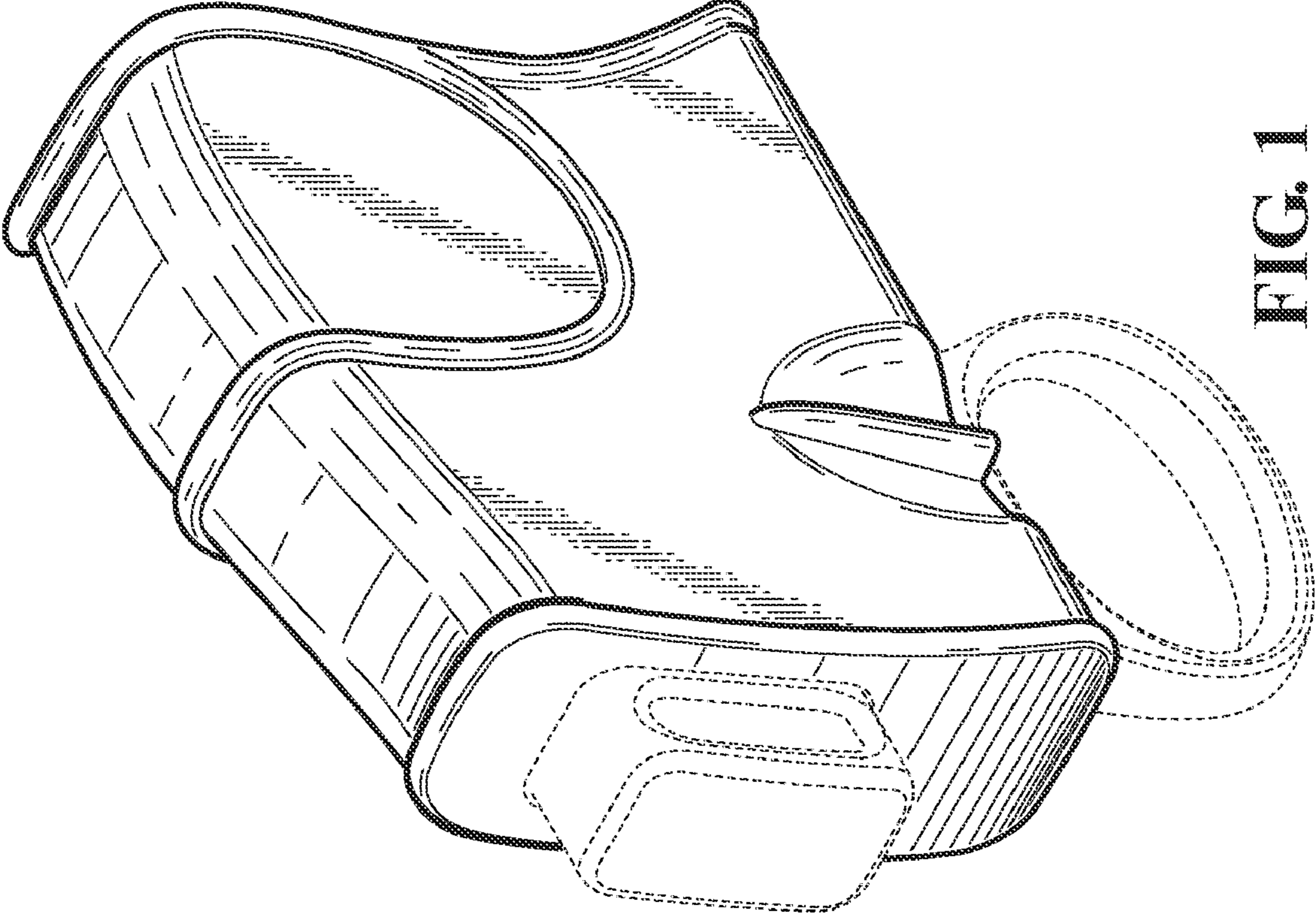


FIG. 1

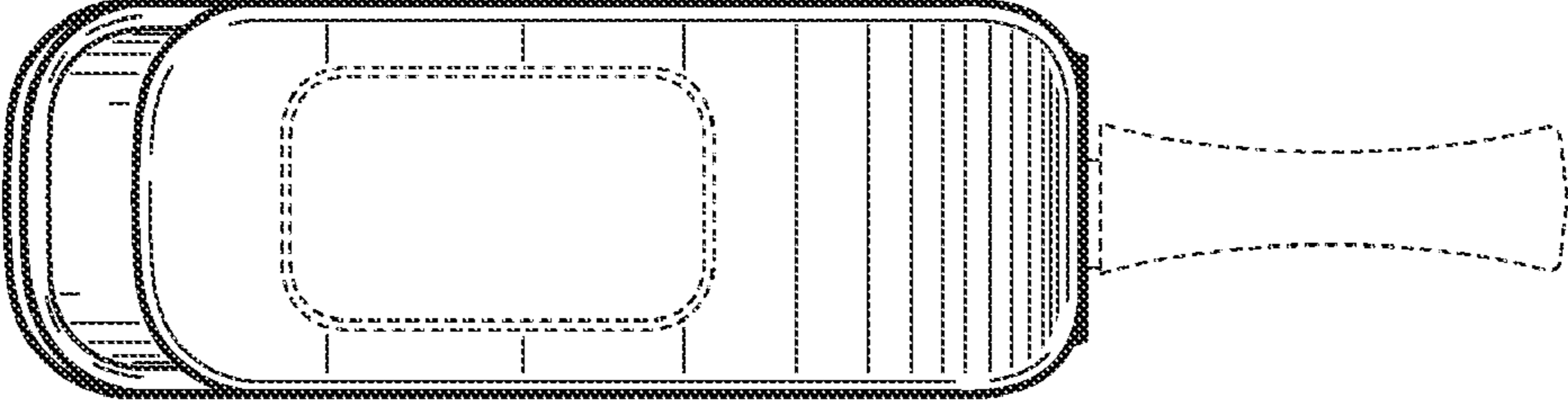


FIG. 2

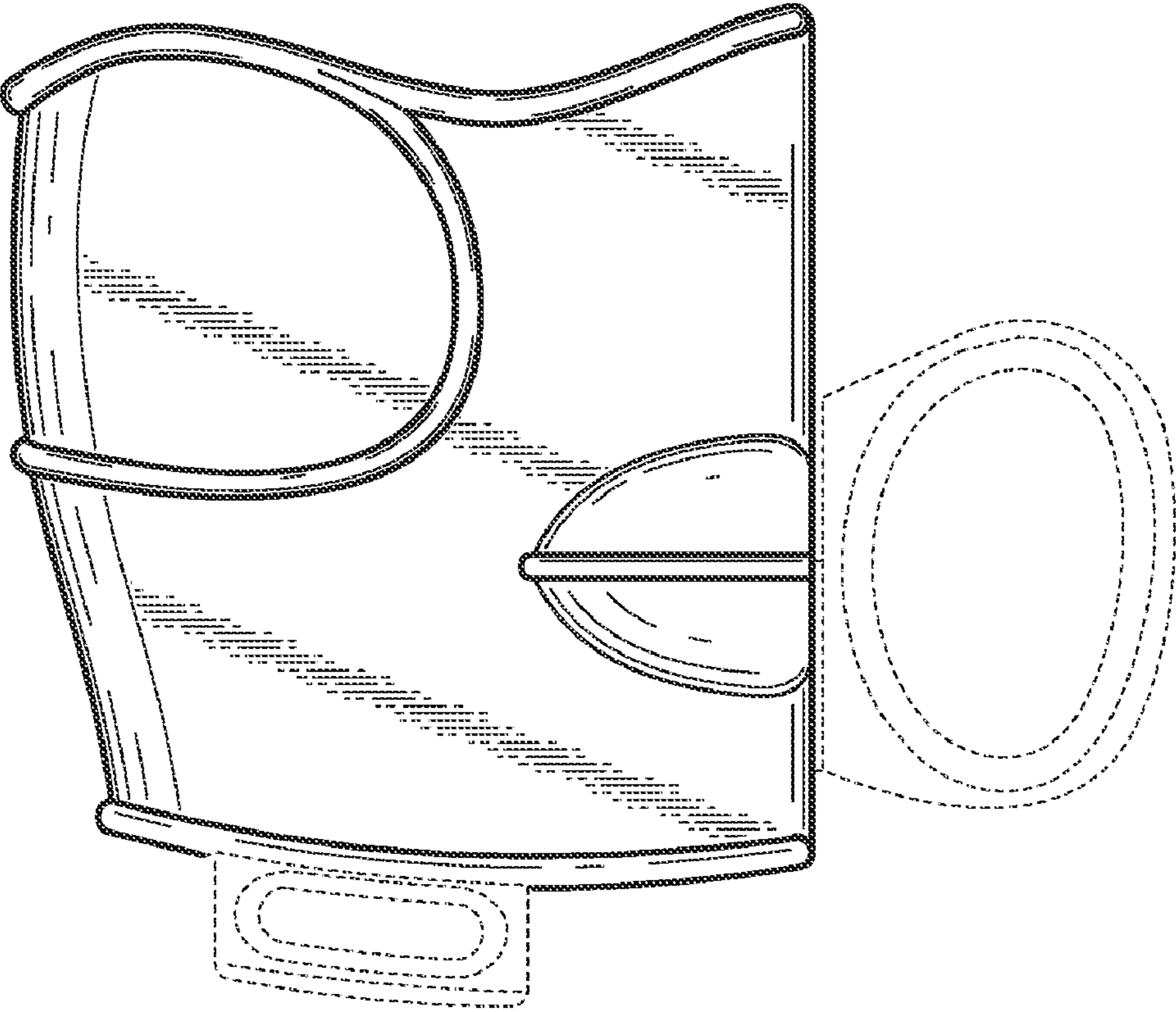


FIG. 4

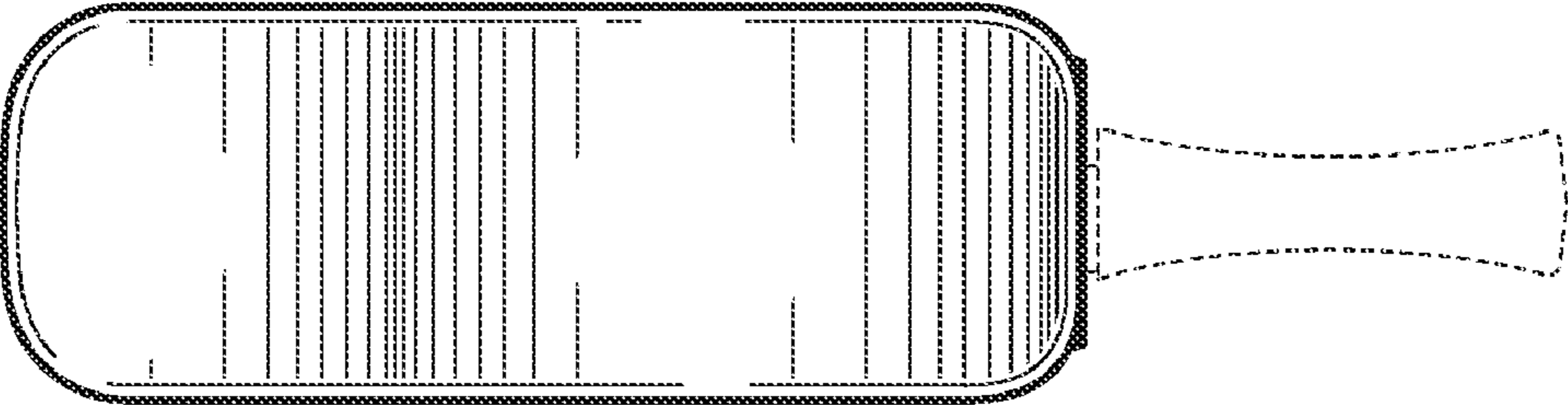


FIG. 3

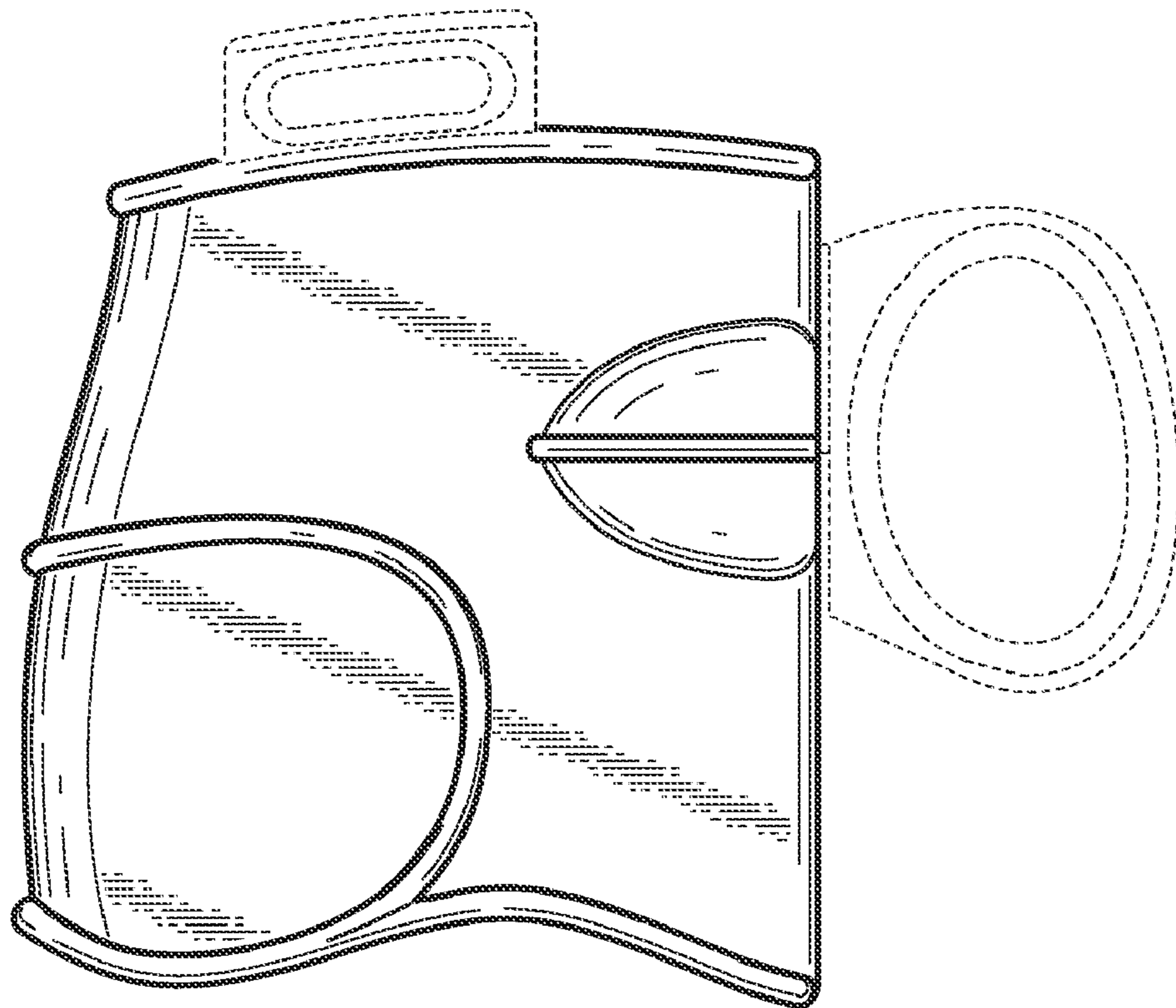


FIG. 5

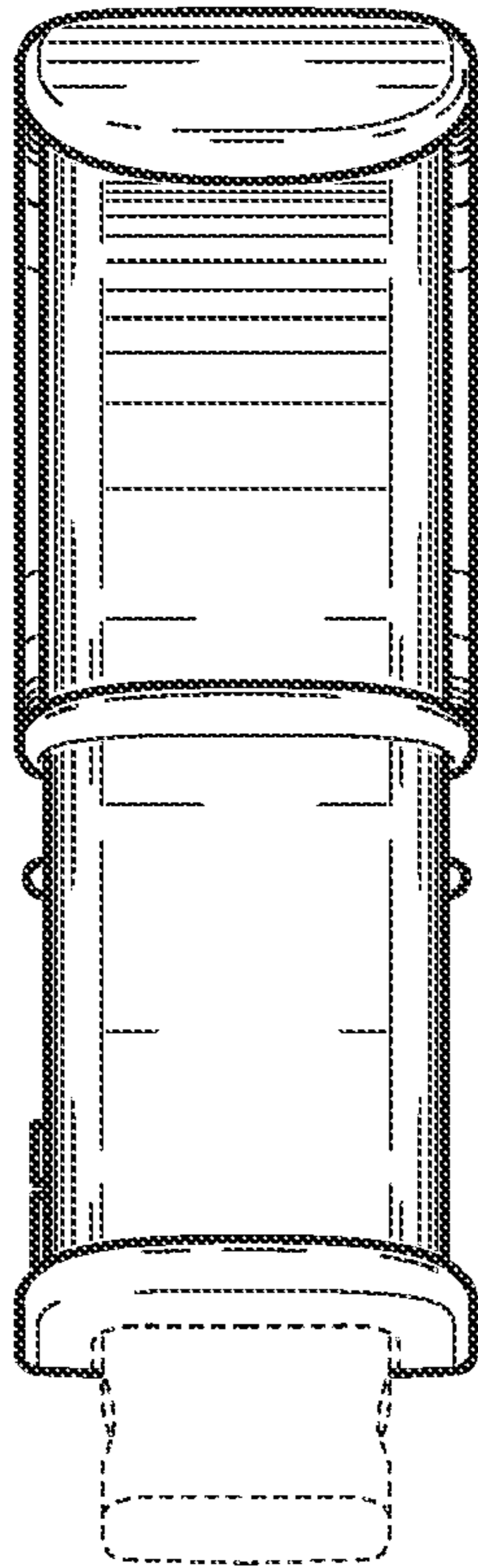


FIG. 6

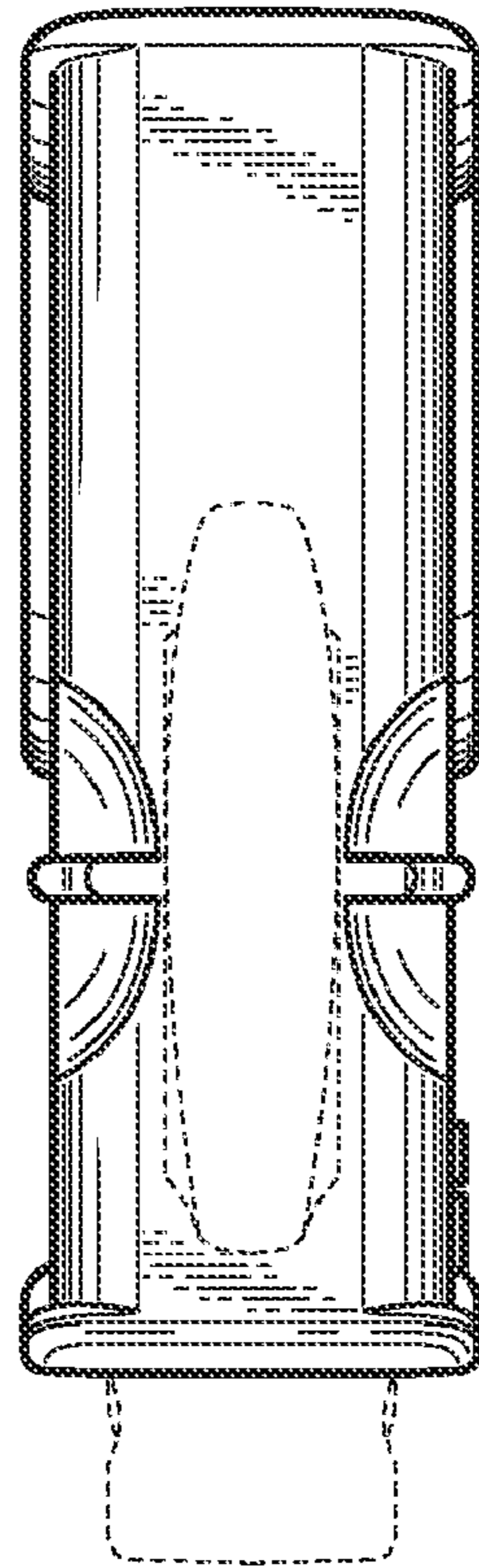


FIG. 7