



US00D623740S

(12) **United States Design Patent**  
**Harris et al.**

(10) **Patent No.:** **US D623,740 S**

(45) **Date of Patent:** **\*\* Sep. 14, 2010**

(54) **WOUND DRESSING APPLICATOR**

(75) Inventors: **Christopher Harris**, Oakham (GB); **Ian Dera**, Kingston-upon-Thames (GB); **Dimitrios Scoutas**, Kingston-upon-Thames (GB); **Matthew Hannant**, Kingston-upon-Thames (GB); **Graeme Maisey**, Kingston-upon-Thames (GB); **Philip Dunn**, Kingston-upon-Thames (GB); **Barry Sandbank**, Wythenshawe (GB); **Sushma Jassal**, Wythenshawe (GB)

(73) Assignee: **DFB Technology Holdings, LLC**, San Antonio, TX (US)

(\*\*) Term: **14 Years**

(21) Appl. No.: **29/320,067**

(22) Filed: **Jun. 19, 2008**

(30) **Foreign Application Priority Data**

Dec. 21, 2007 (EP) ..... 000851878  
Dec. 21, 2007 (GB) ..... 0725087

(51) **LOC (9) Cl.** ..... **24-02**

(52) **U.S. Cl.** ..... **D24/133; D24/145**

(58) **Field of Classification Search** ..... D24/108,  
D24/133, 145-147, 190, 189; 604/307, 313,  
604/317, 327, 543, 540, 174, 288.01, 306;  
602/41-43, 52, 57, 54, 56, 79; 128/888-889;  
424/445

See application file for complete search history.

(56) **References Cited**

U.S. PATENT DOCUMENTS

4,126,130 A \* 11/1978 Cowden et al. .... D24/189  
D264,755 S \* 6/1982 Olson ..... D24/189  
D267,510 S \* 1/1983 Golub ..... D24/189  
4,564,010 A \* 1/1986 Coughlan et al. .... 604/307  
5,000,741 A \* 3/1991 Kalt ..... 604/307  
5,160,315 A \* 11/1992 Heinecke et al. .... 602/57

D352,782 S \* 11/1994 Kirk et al. .... D24/189  
5,447,492 A \* 9/1995 Cartmell et al. .... 602/41  
5,501,661 A \* 3/1996 Cartmell et al. .... 602/42  
D377,529 S \* 1/1997 Nyqvist-Mayer ..... D24/189  
D384,745 S \* 10/1997 Lattin et al. .... D24/189  
5,713,842 A \* 2/1998 Kay ..... 602/57  
6,149,614 A \* 11/2000 Dunshee et al. .... 602/57  
6,293,917 B1 \* 9/2001 Augustine et al. .... 602/41  
6,841,715 B2 \* 1/2005 Roberts ..... 602/54  
7,118,545 B2 \* 10/2006 Boyde ..... 602/79  
7,220,889 B2 \* 5/2007 Sigurjonsson et al. .... 602/41  
D544,092 S \* 6/2007 Lewis ..... D24/108  
D544,607 S \* 6/2007 Henry et al. .... D24/189  
7,601,129 B2 \* 10/2009 Aali ..... 602/2  
2007/0282271 A1 \* 12/2007 Kaplan et al. .... 604/174  
2009/0187130 A1 \* 7/2009 Asmus et al. .... 602/57

\* cited by examiner

*Primary Examiner*—Ian Simmons

*Assistant Examiner*—Wan Laymon

(74) *Attorney, Agent, or Firm*—Fulbright & Jaworski L.L.P.

(57) **CLAIM**

The ornamental design for a wound dressing applicator, as shown and described.

**DESCRIPTION**

FIG. 1 is a top and side perspective view of a wound dressing applicator showing our invention.

FIG. 2 is a bottom and side perspective view thereof.

FIG. 3 is a top and side perspective view thereof, showing the body of the wound dressing application and the removable lid in an open condition.

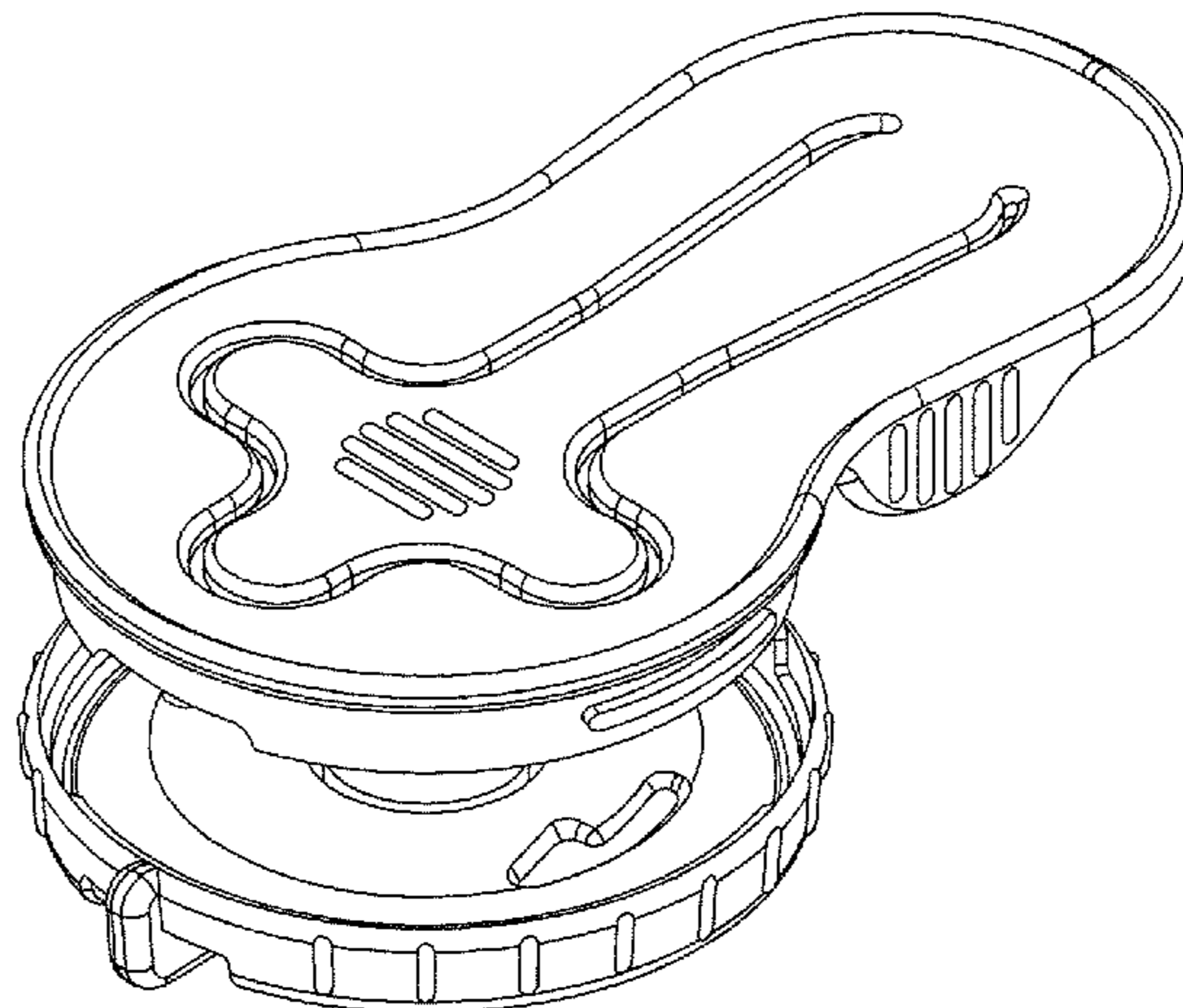
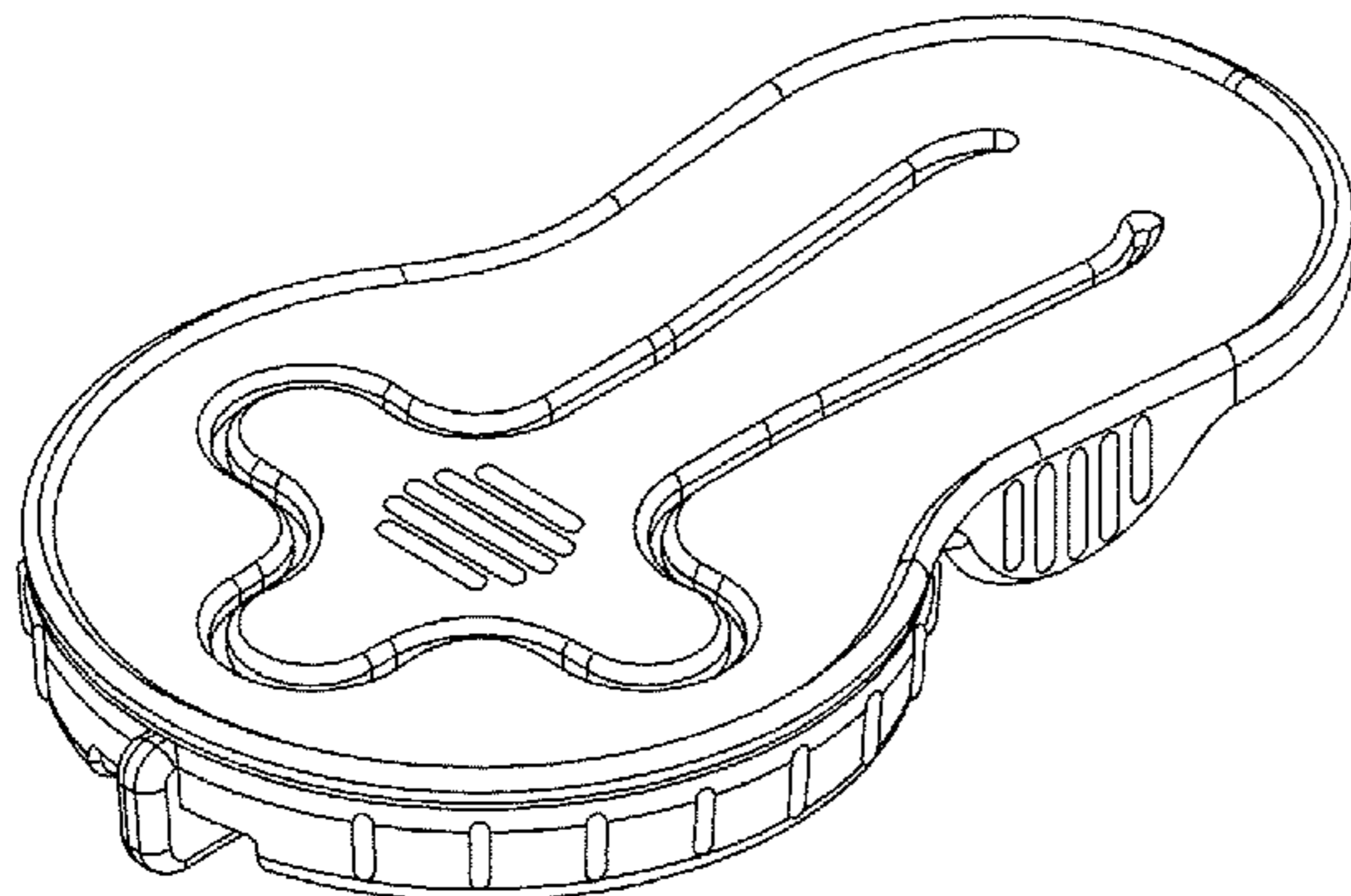
FIG. 4 is a bottom and side perspective view thereof, showing the body of the wound dressing application and the removable lid in an open condition.

FIG. 5 is a top plan view thereof.

FIG. 6 is a bottom plan view thereof; and,

FIG. 7 is a side elevation view thereof.

**1 Claim, 3 Drawing Sheets**



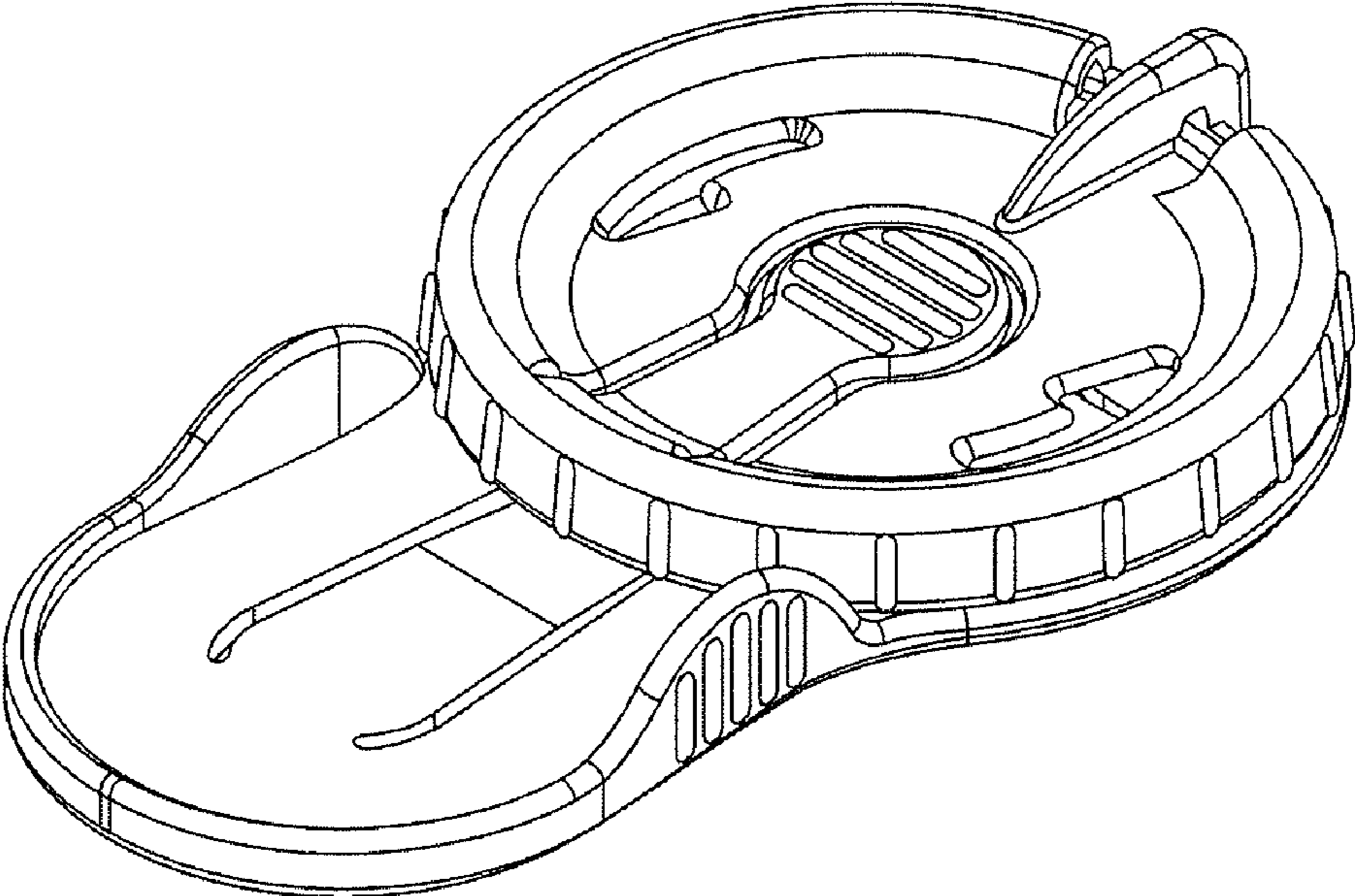


FIG. 1

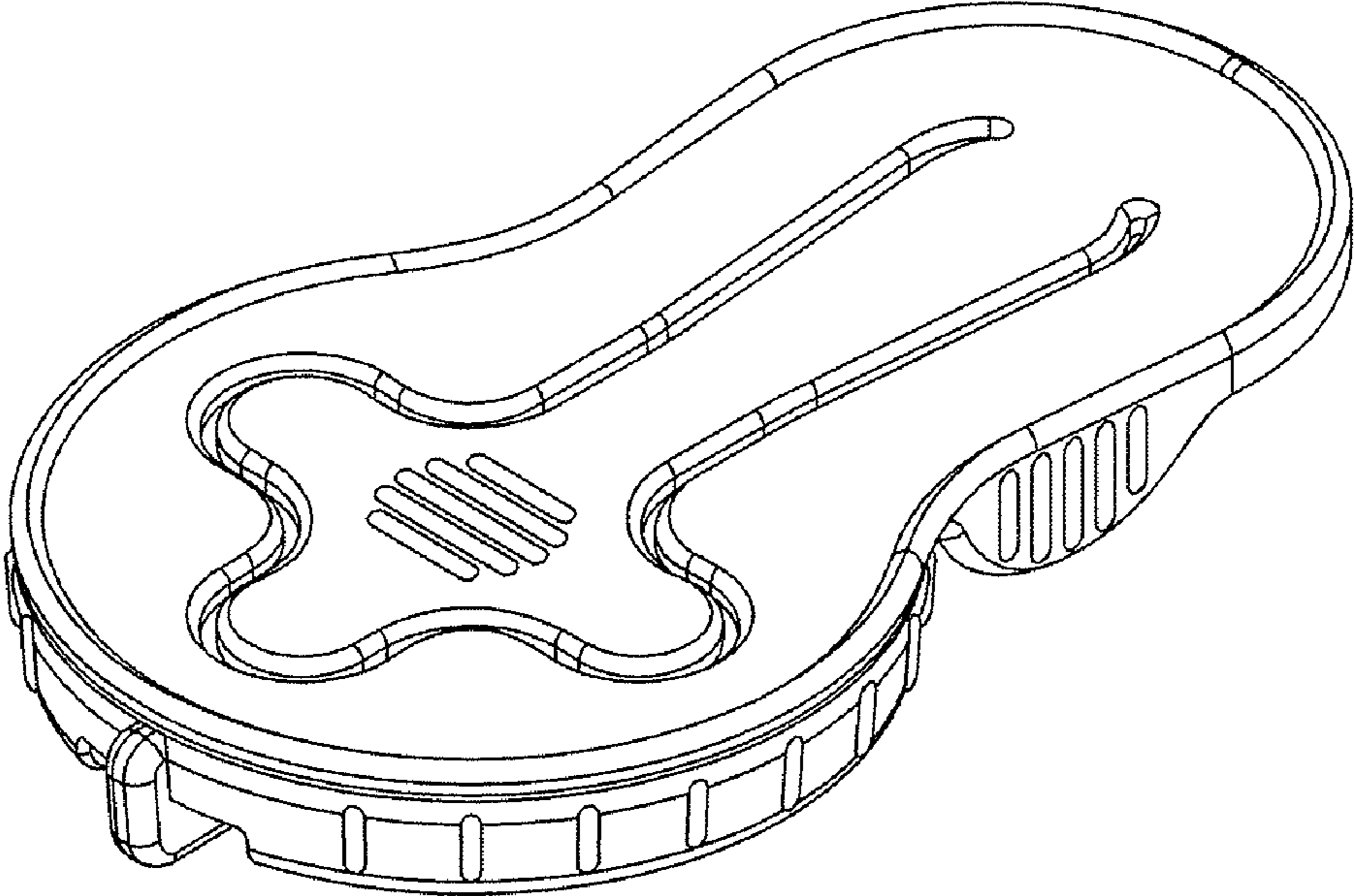


FIG. 2

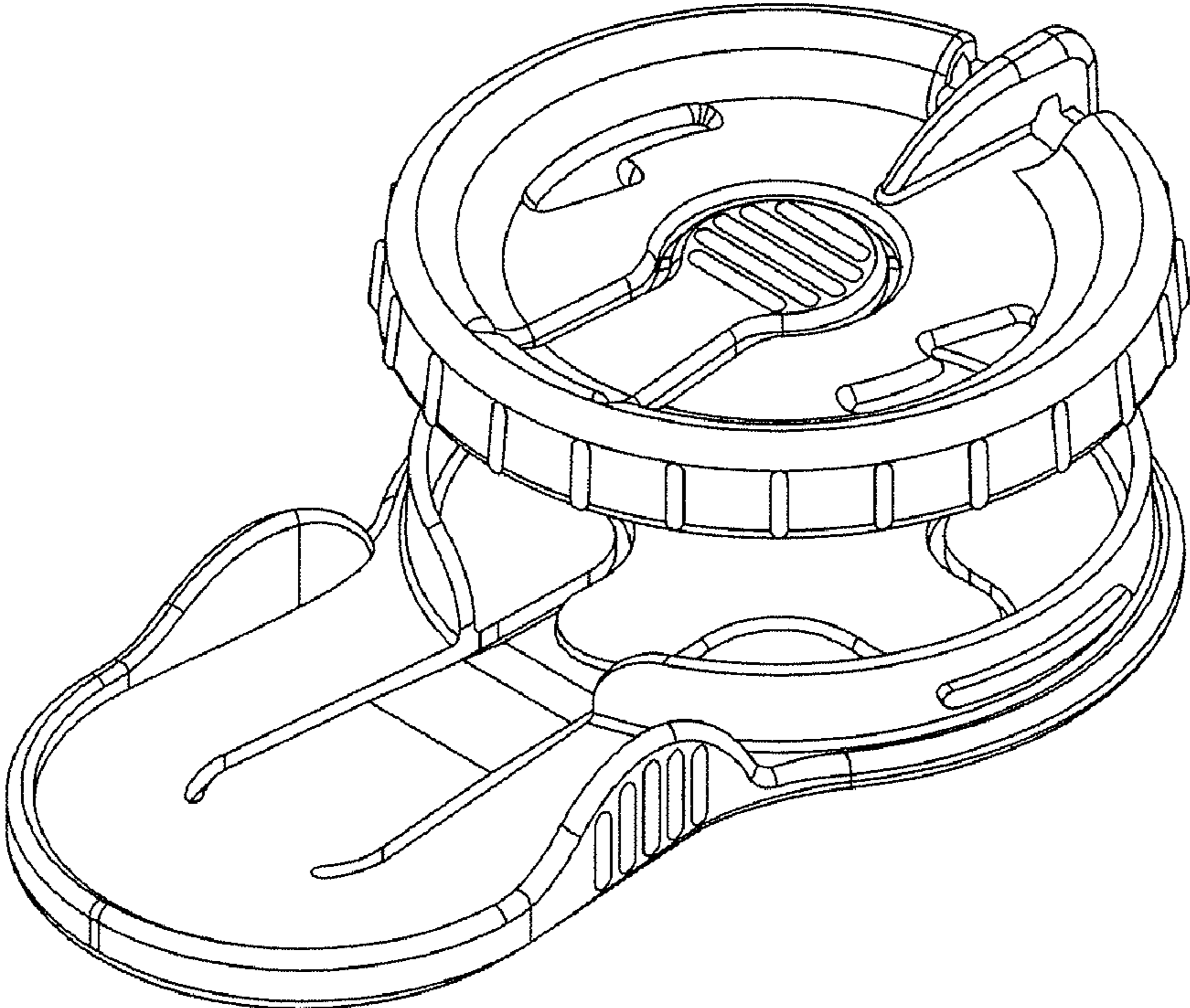


FIG. 3

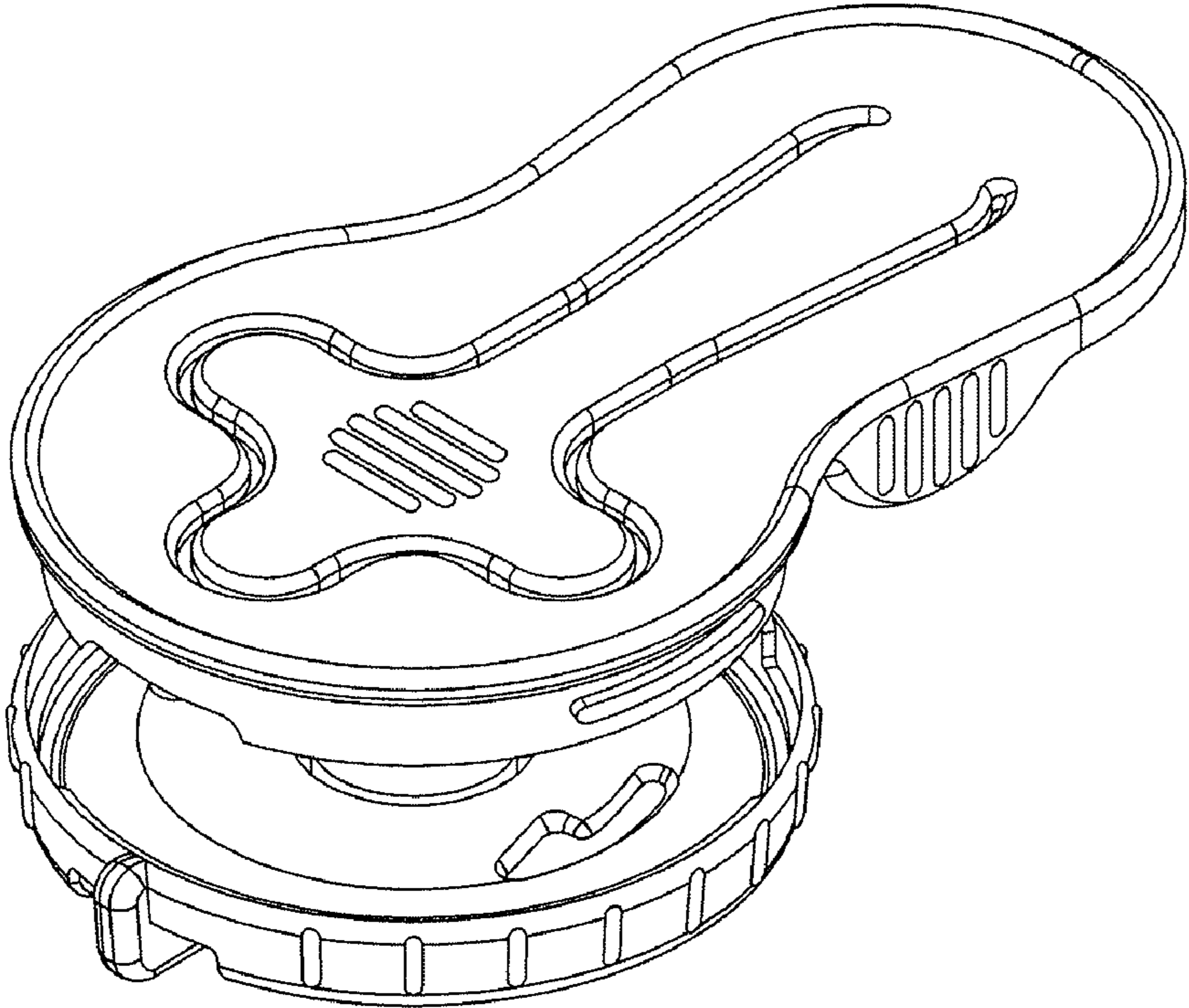


FIG. 4

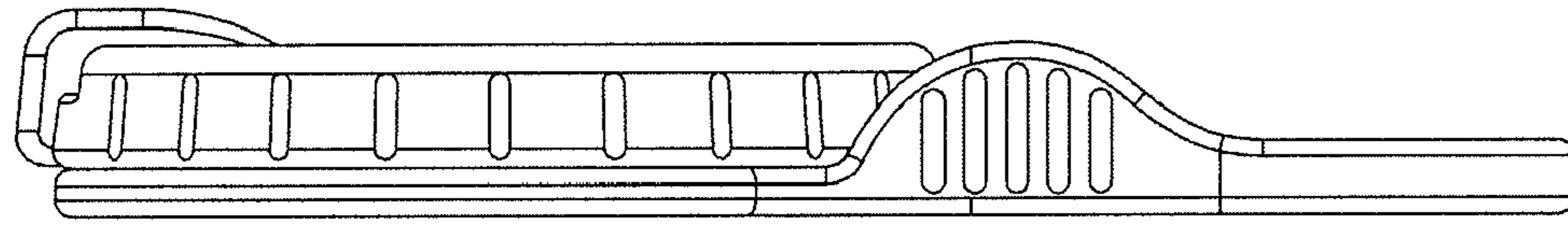


FIG. 7

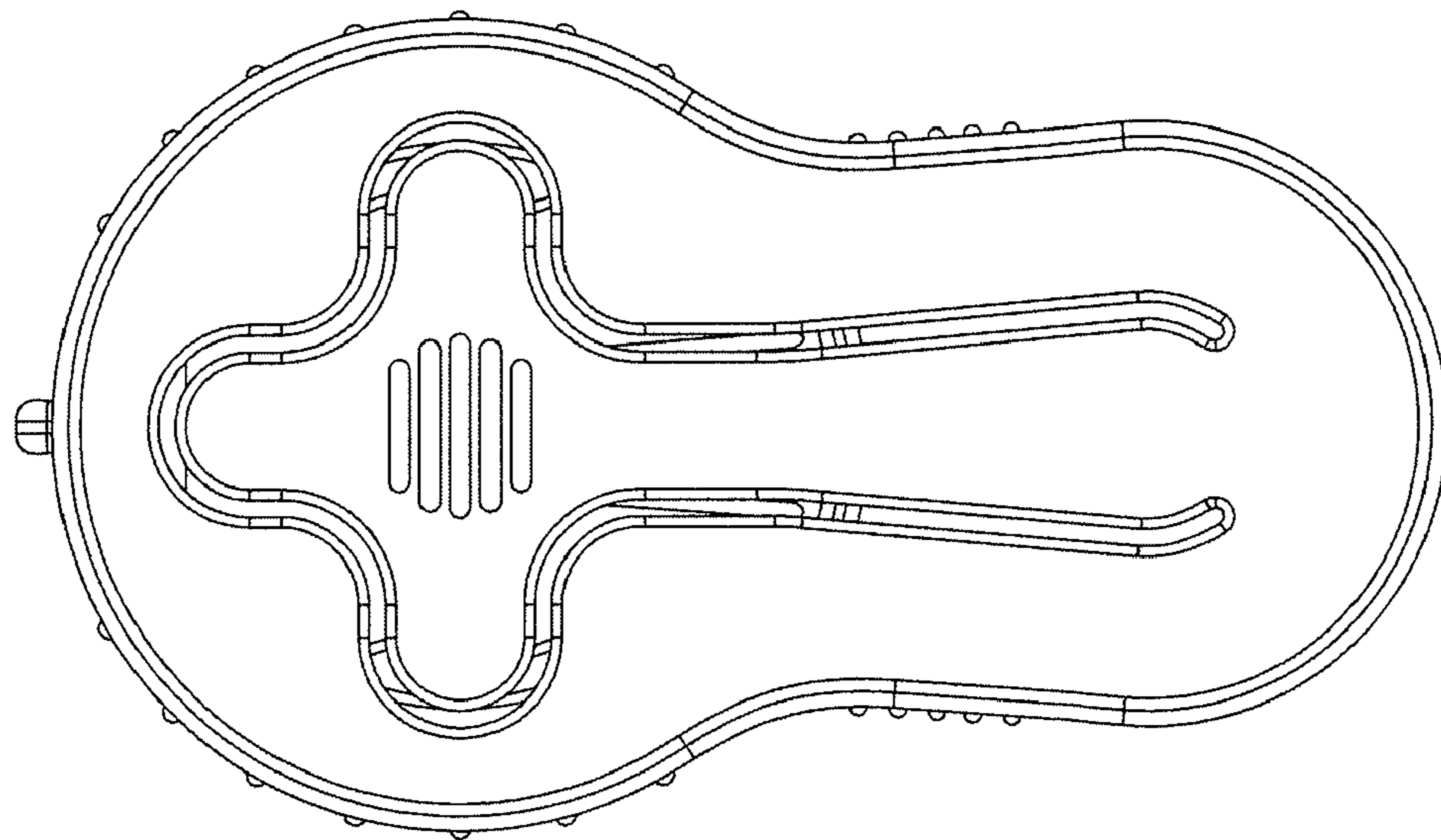


FIG. 6

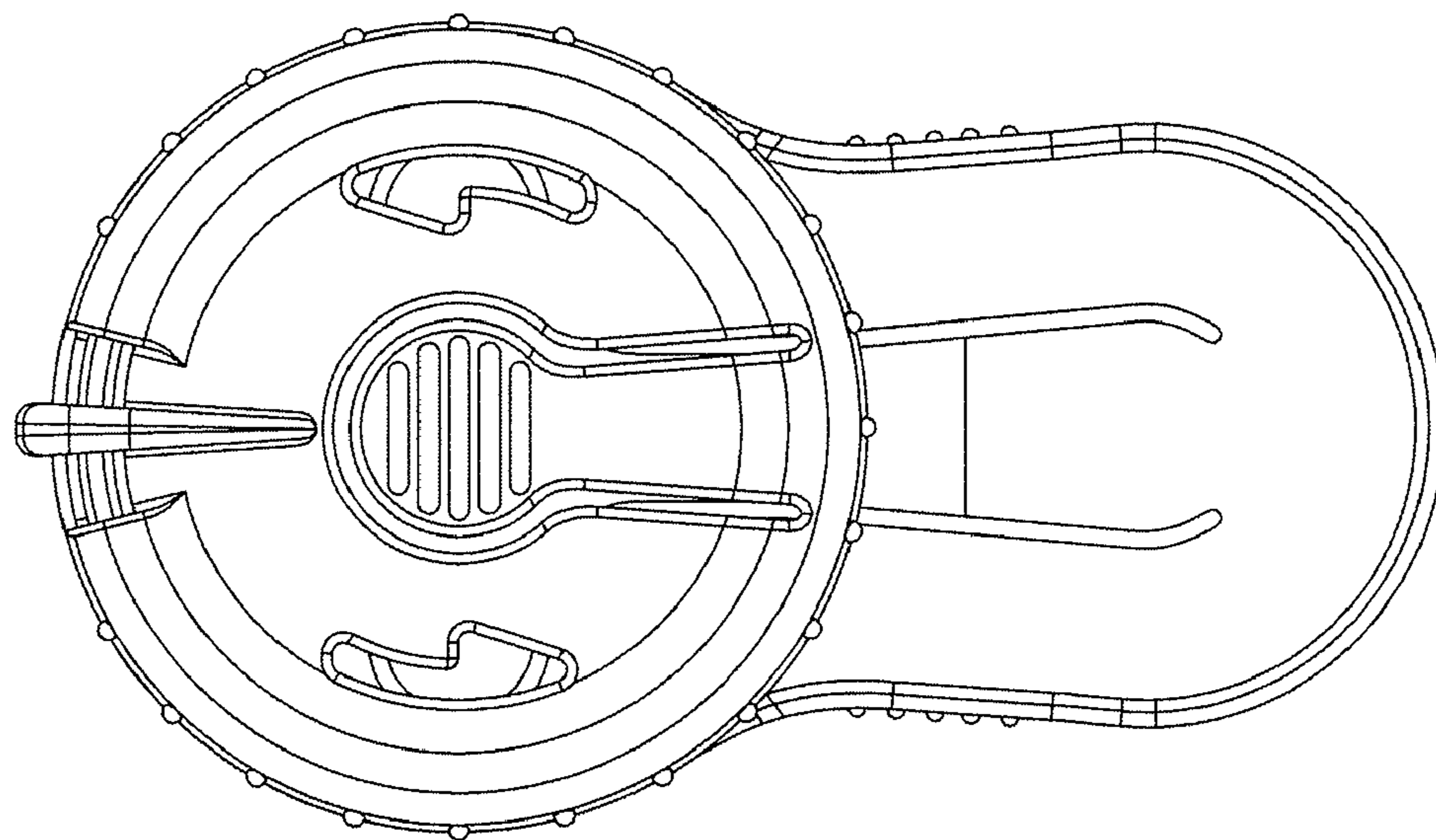


FIG. 5