



US00D623739S

(12) **United States Design Patent**
Vernooij et al.

(10) **Patent No.:** **US D623,739 S**

(45) **Date of Patent:** **** *Sep. 14, 2010**

(54) **SURGICAL INSTRUMENT HANDLE**

FOREIGN PATENT DOCUMENTS

(75) Inventors: **Alex Vernooij**, Sassenheim (NL);
Warren Schroder, Kenmore (AU)

GB 0502772.7 10/2005

(73) Assignee: **Medical Device Innovations Limited**,
Cheshire (GB)

(Continued)

(**) Term: **14 Years**

(21) Appl. No.: **29/265,815**

(22) Filed: **Sep. 8, 2006**

(30) **Foreign Application Priority Data**

Mar. 10, 2006 (EM) 000495866-0003

(51) **LOC (9) Cl.** **24-02**

(52) **U.S. Cl.** **D24/133**

(58) **Field of Classification Search** D24/133,
D24/146, 147, 138; 606/139, 190-192; 600/29
See application file for complete search history.

(56) **References Cited**

U.S. PATENT DOCUMENTS

866,180	A	9/1907	Ball	
1,813,902	A *	7/1931	Bovie	606/42
1,908,201	A *	5/1933	Welch et al.	606/29
D97,617	S *	11/1935	Rubens	D24/144
D216,234	S *	12/1969	Hotchkiss	D24/138
D344,334	S *	2/1994	Dulebohn et al.	D24/133
D354,283	S	1/1995	Rhen	
D358,887	S *	5/1995	Feinberg	D24/143
5,520,702	A *	5/1996	Sauer et al.	606/144
5,658,300	A *	8/1997	Bito et al.	606/143
D384,412	S	9/1997	Mainiero	
5,722,934	A	3/1998	Knight	
D405,176	S	2/1999	Michelson	
5,902,315	A *	5/1999	DuBois	606/190
5,928,135	A *	7/1999	Knight et al.	600/104

(Continued)

OTHER PUBLICATIONS

Office Action for U.S. Appl. No. 29/265,762 mailed Feb. 22, 2008, 9 pp.

(Continued)

Primary Examiner—Ian Simmons
Assistant Examiner—Carissa C Fitts

(74) *Attorney, Agent, or Firm*—Gardere Wynne Sewell, LLP

(57) **CLAIM**

The ornamental design for a surgical instrument handle, as shown and described.

DESCRIPTION

FIG. 1 is a perspective view of a surgical instrument handle in accordance with our invention;

FIG. 2 is a left side view of the surgical instrument handle shown in FIG. 1;

FIG. 3 is a right side view of the surgical instrument handle shown in FIG. 1;

FIG. 4 is an end view of the surgical instrument handle shown in FIG. 1;

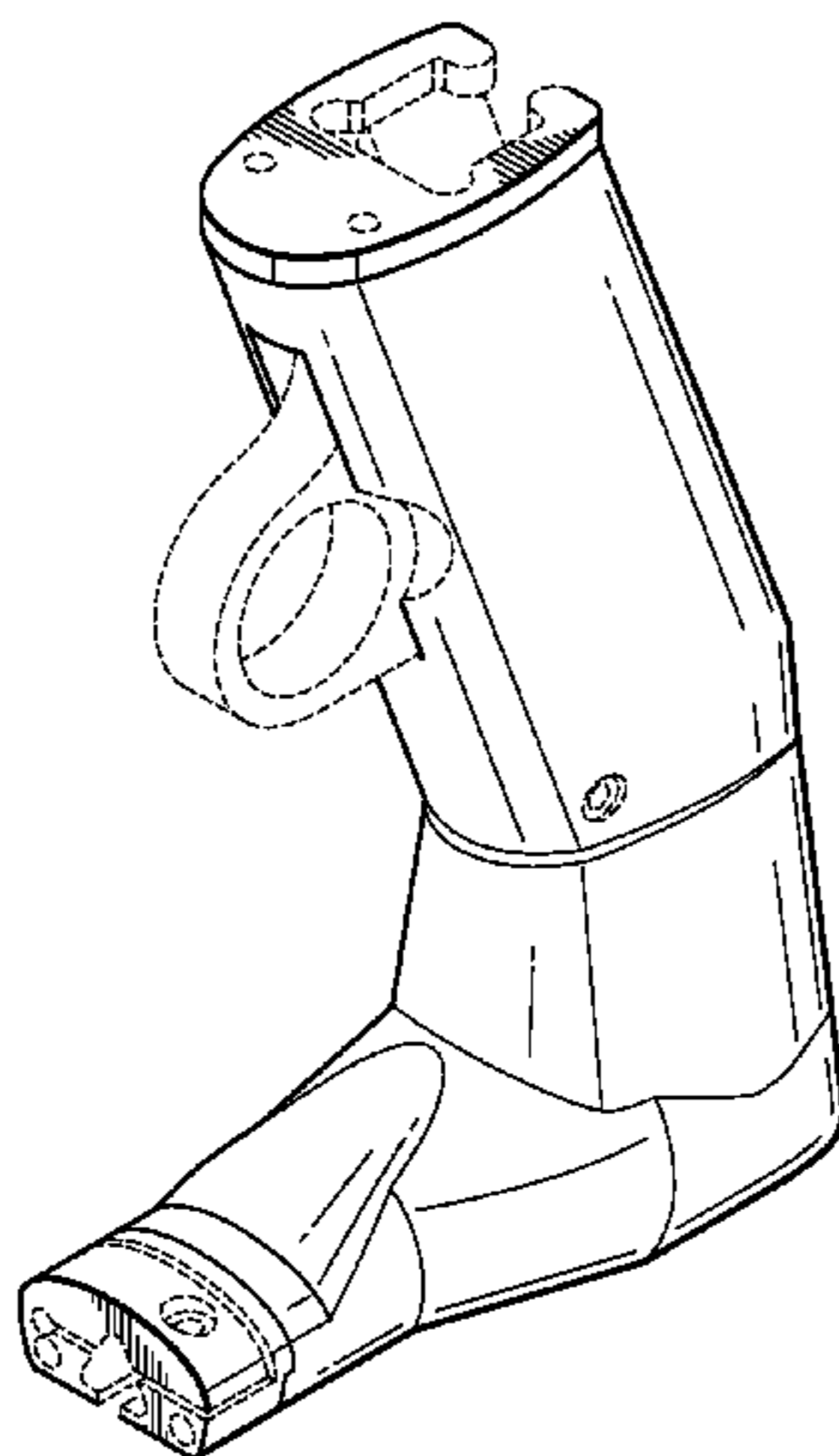
FIG. 5 is an opposite end view of the surgical instrument handle shown in FIG. 1;

FIG. 6 is a top plan view of the surgical instrument handle shown in FIG. 1; and,

FIG. 7 is a bottom plan view of the surgical instrument handle shown in FIG. 1.

The broken line showing is for environmental purposes only and forms no part of the claimed design.

1 Claim, 7 Drawing Sheets



US D623,739 S

Page 2

U.S. PATENT DOCUMENTS

6,030,406 A 2/2000 Davis
6,183,444 B1 * 2/2001 Glines et al. 604/187
6,206,823 B1 * 3/2001 Kolata et al. 600/129
D446,209 S * 8/2001 Hickford et al. D14/357
D453,829 S 2/2002 McMahon
6,592,604 B2 7/2003 Hess
D495,413 S * 8/2004 Perry et al. D24/108
D496,997 S * 10/2004 Dycus et al. D24/144
6,817,978 B2 * 11/2004 Holland et al. 600/212
D547,869 S 7/2007 Eckman
D560,804 S * 1/2008 Pease et al. D24/138
7,314,479 B2 * 1/2008 Wellman et al. 606/205
D571,466 S * 6/2008 Amano et al. D24/133

D582,038 S * 12/2008 Swoyer et al. D24/144
D601,699 S * 10/2009 Urushihata D24/138
2003/0065349 A1 * 4/2003 Hess et al. 606/159
2004/0138700 A1 7/2004 Cooper
2006/0235418 A1 10/2006 Gil
2008/0255600 A1 * 10/2008 Braam et al. 606/190

FOREIGN PATENT DOCUMENTS

WO WO 2006/085090 10/2006

OTHER PUBLICATIONS

Notice of Allowance for U.S. Appl. No. 29/265,762 mailed Jul. 30, 2008, 5 pp.

* cited by examiner

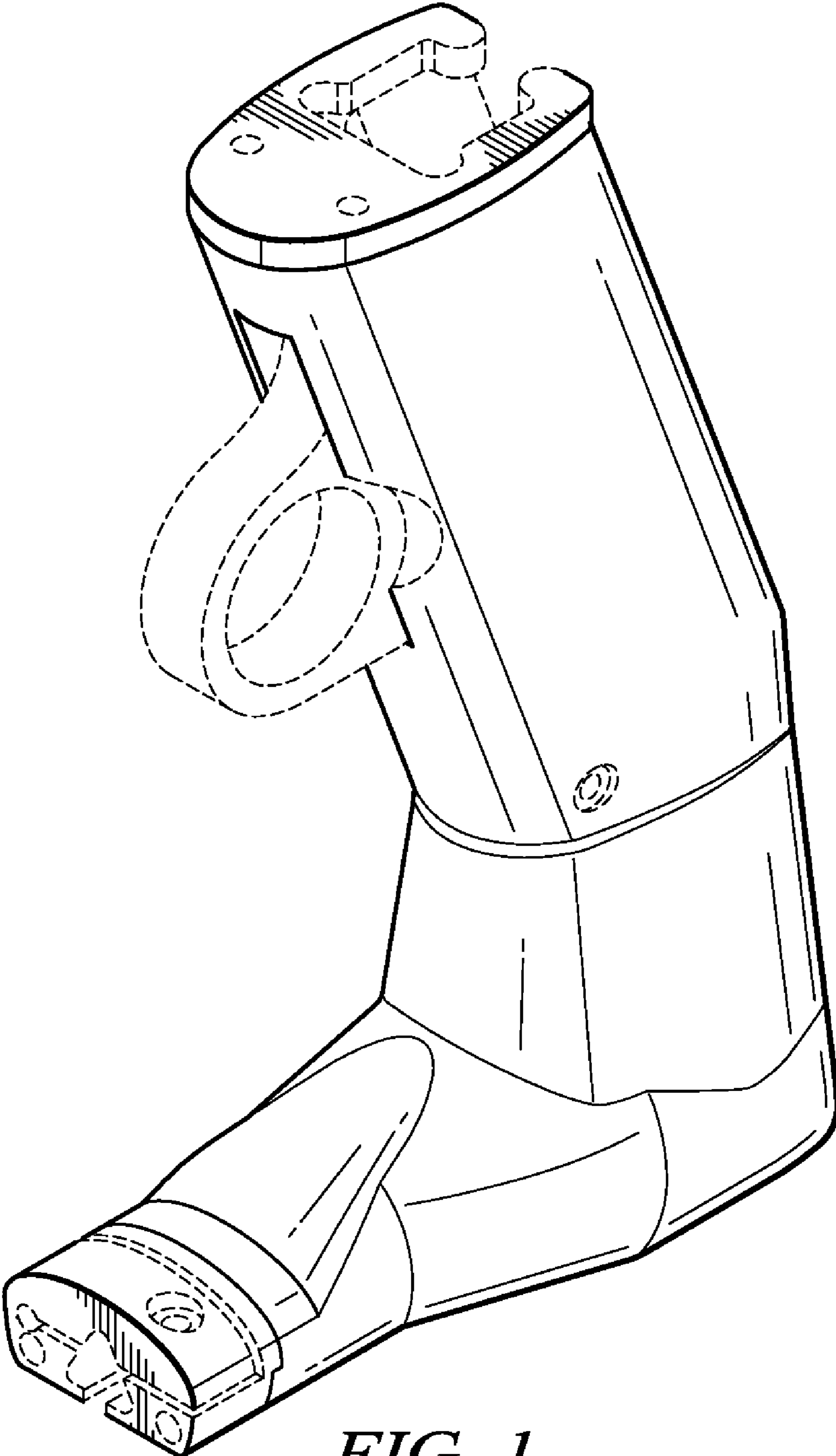


FIG. 1

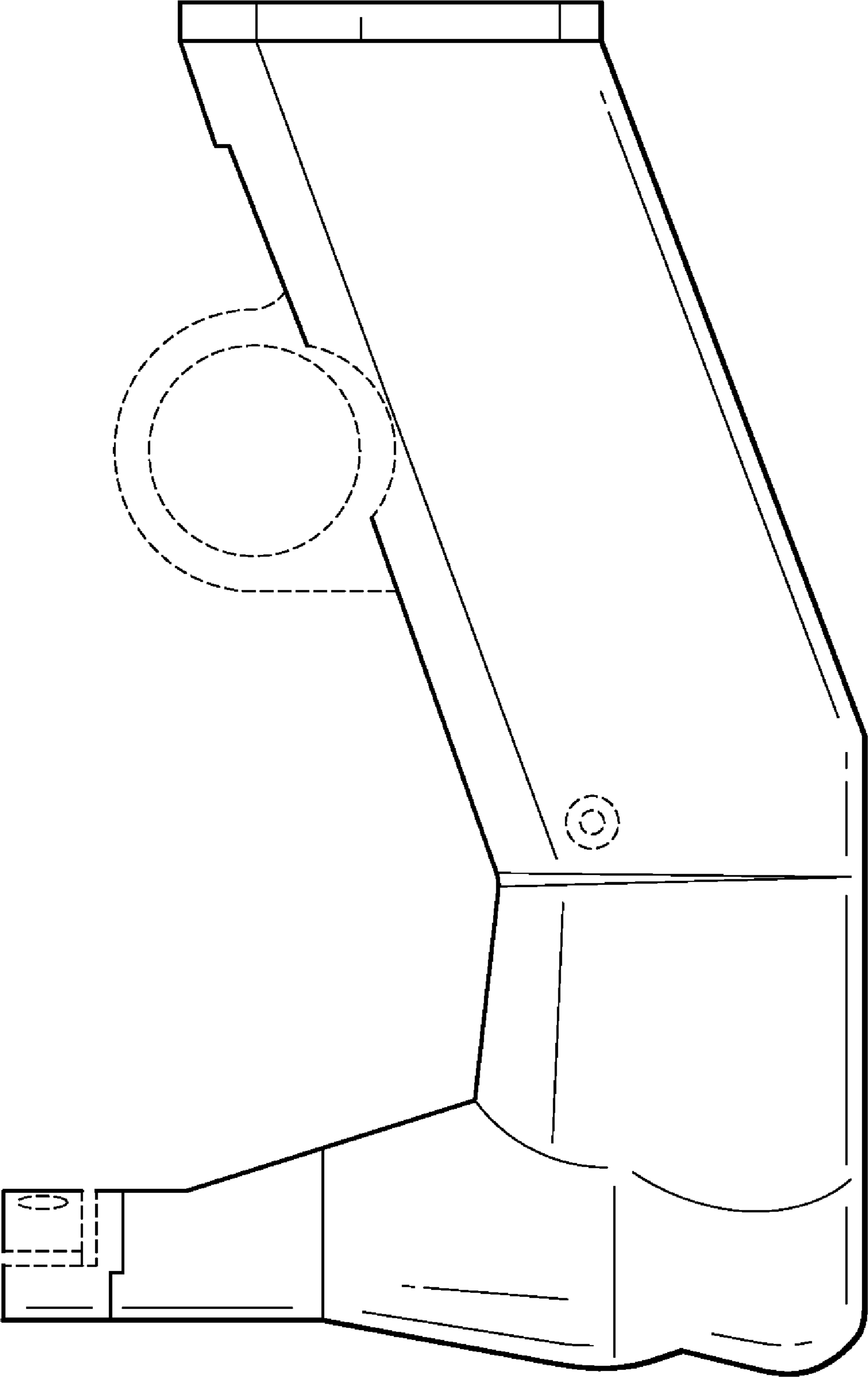


FIG. 2

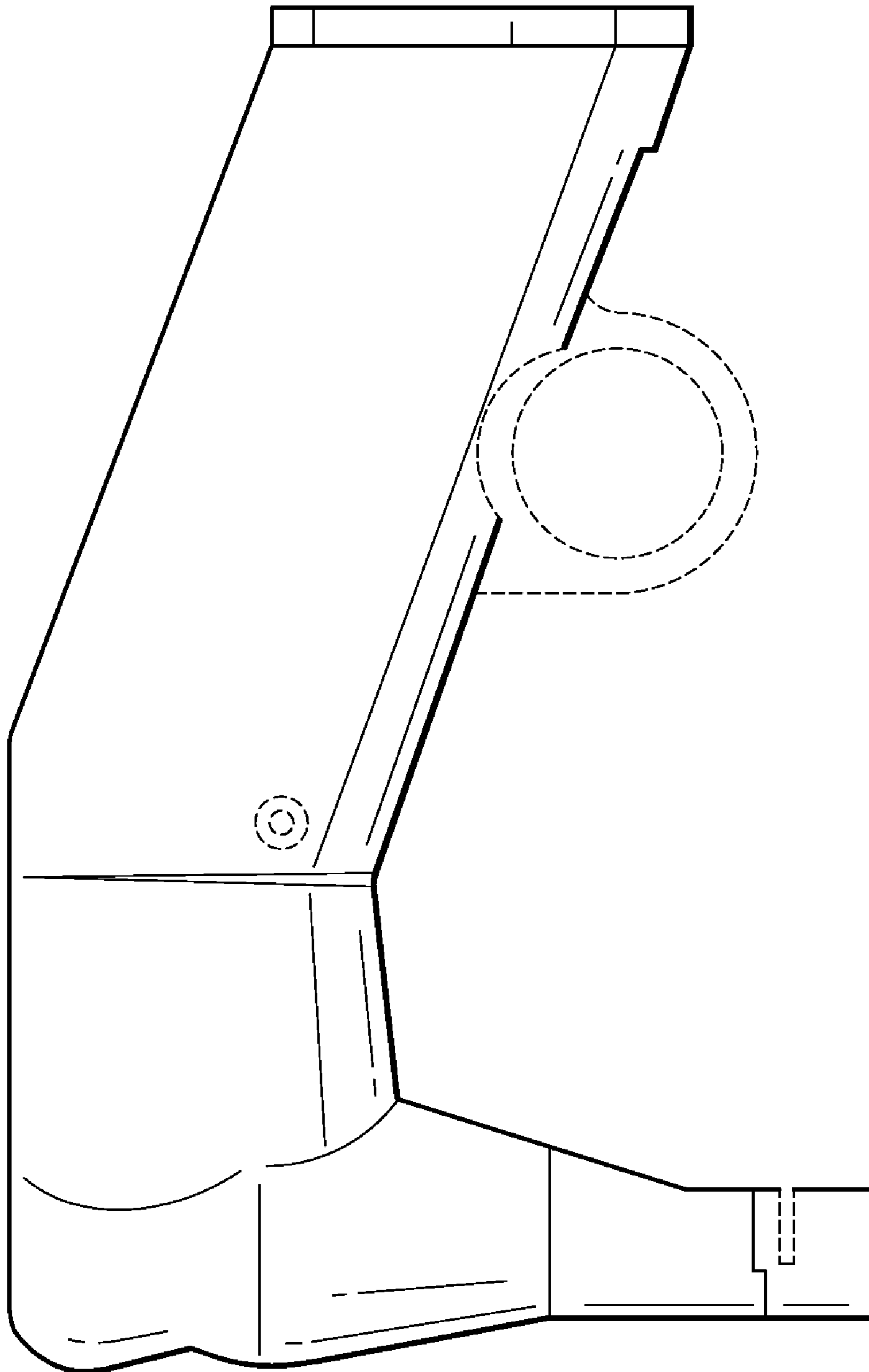


FIG. 3

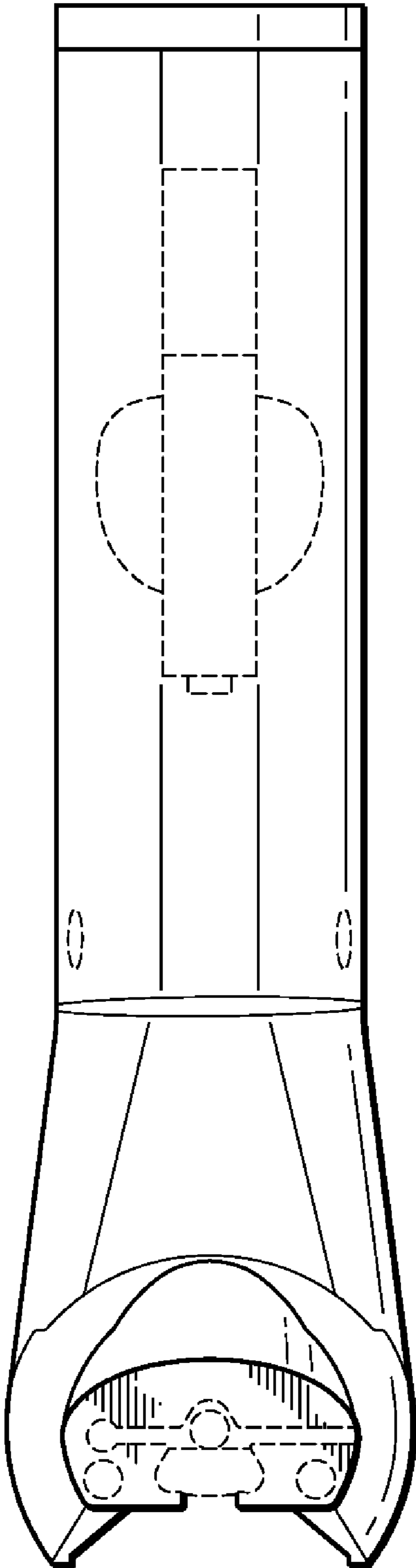


FIG. 4

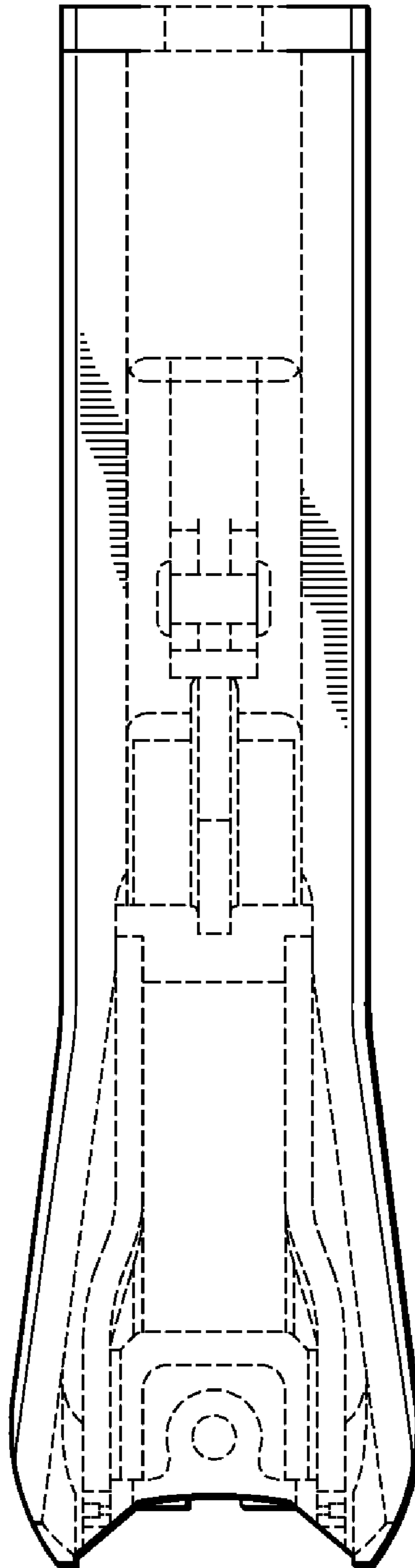


FIG. 5

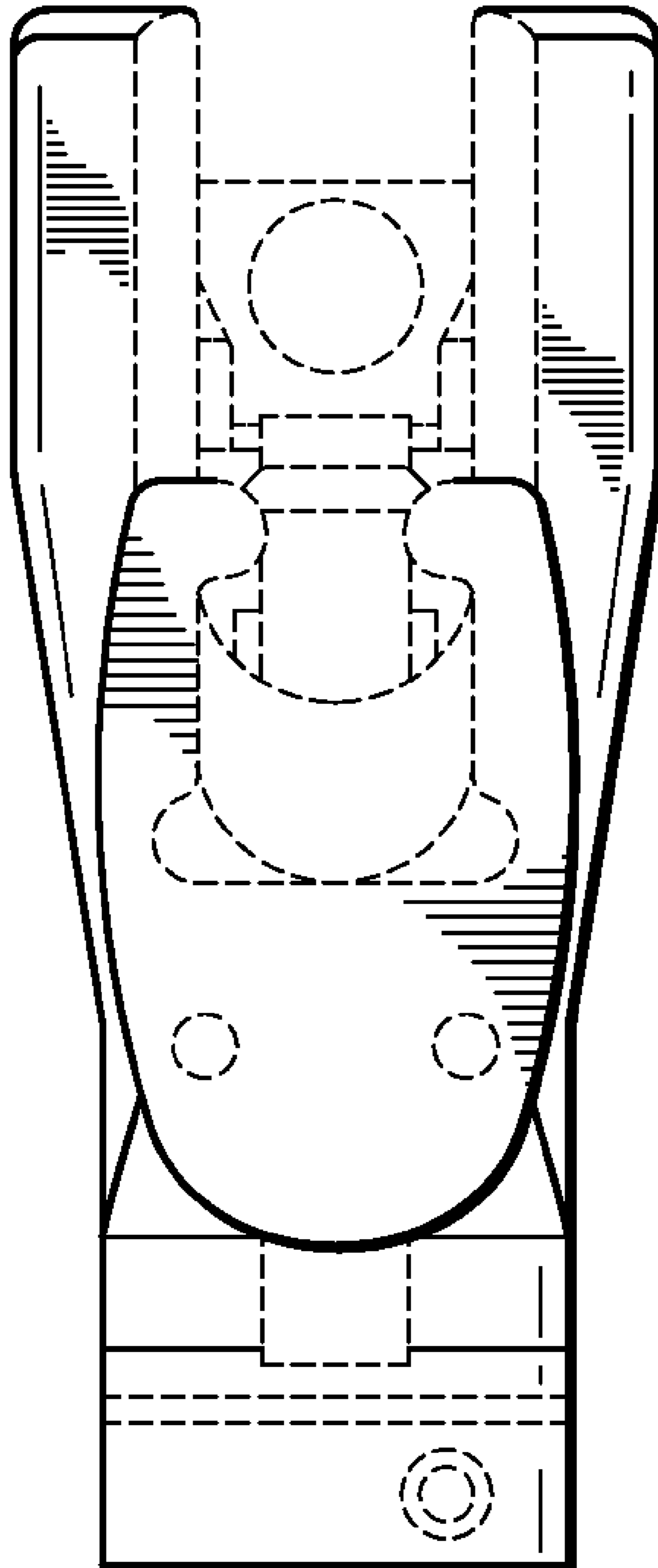


FIG. 6

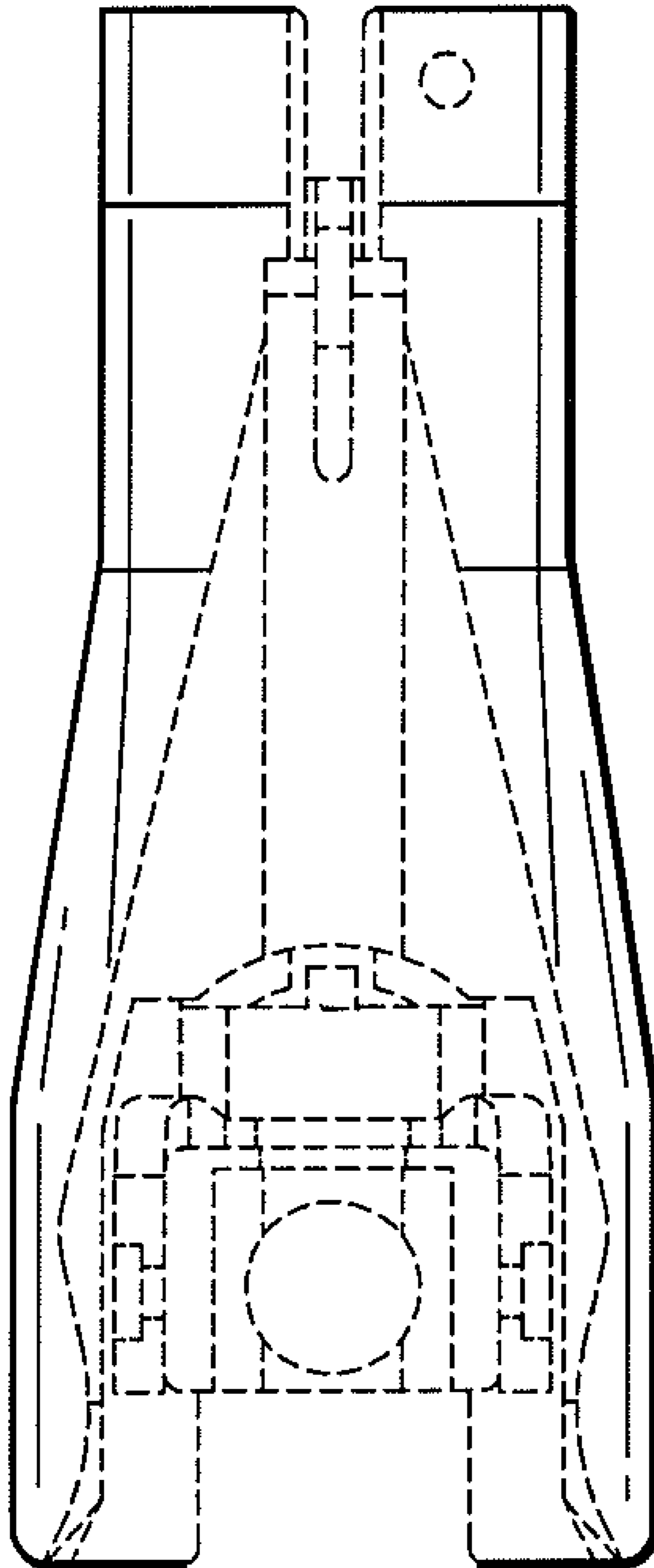


FIG. 7