



US00D623736S

(12) **United States Design Patent**
Tsurukawa et al.

(10) **Patent No.:** **US D623,736 S**

(45) **Date of Patent:** **** Sep. 14, 2010**

(54) **ORAL CLEANING TOOL**

(75) Inventors: **Naoki Tsurukawa**, Takatsuki (JP);
Yojiro Ota, Shizuoka (JP)

(73) Assignees: **Sunstar Inc.**, Takatsuki-shi (JP);
Shizuoka Prefectural Government,
Shizuoka (JP)

(**) Term: **14 Years**

(21) Appl. No.: **29/350,896**

(22) Filed: **Nov. 25, 2009**

(30) **Foreign Application Priority Data**

May 28, 2009 (JP) 2009-011916

(51) **LOC (9) Cl.** **24-02**

(52) **U.S. Cl.** **D24/119**

(58) **Field of Classification Search** D24/119,
D24/133, 141, 152, 176, 180; 606/162, 180;
D28/7, 8, 63; 604/1, 2, 19, 3, 309, 73, 540;
132/317; 600/572; 401/196; D22/108, 199;
D4/27, 128, 102, 137; 15/104.03, 104.05,
15/104.96, 211, 213, 106, 114, 164; D32/51
See application file for complete search history.

(56) **References Cited**

U.S. PATENT DOCUMENTS

D123,585 S * 11/1940 Bennet D24/119
D269,917 S * 7/1983 Spann D32/51
4,913,175 A * 4/1990 Yokosuka et al. 132/317

D319,508 S * 8/1991 Peiler D24/141
D332,658 S * 1/1993 Thompson D24/119
5,336,330 A * 8/1994 Shumway et al. 15/211
D435,101 S * 12/2000 Graneto, III D24/119
D437,972 S * 2/2001 Harty et al. D28/7
6,283,952 B1 * 9/2001 Child et al. 604/540
6,312,395 B1 * 11/2001 Tripp et al. 600/572
D483,862 S * 12/2003 Rawlings et al. D24/119
D547,907 S * 7/2007 Lawson et al. D28/63
D562,935 S * 2/2008 Morgan D22/199

* cited by examiner

Primary Examiner—T. Chase Nelson

Assistant Examiner—David G Muller

(74) *Attorney, Agent, or Firm*—Kratz, Quintos & Hanson,
LLP

(57) **CLAIM**

The ornamental design for an oral cleaning tool, as shown and described.

DESCRIPTION

FIG. 1 is a perspective view of the oral cleaning tool of the present invention;

FIG. 2 is a front view thereof;

FIG. 3 is a back view thereof;

FIG. 4 is a left side view thereof;

FIG. 5 is a right side view thereof;

FIG. 6 is a top view thereof; and,

FIG. 7 is a bottom view thereof.

1 Claim, 2 Drawing Sheets

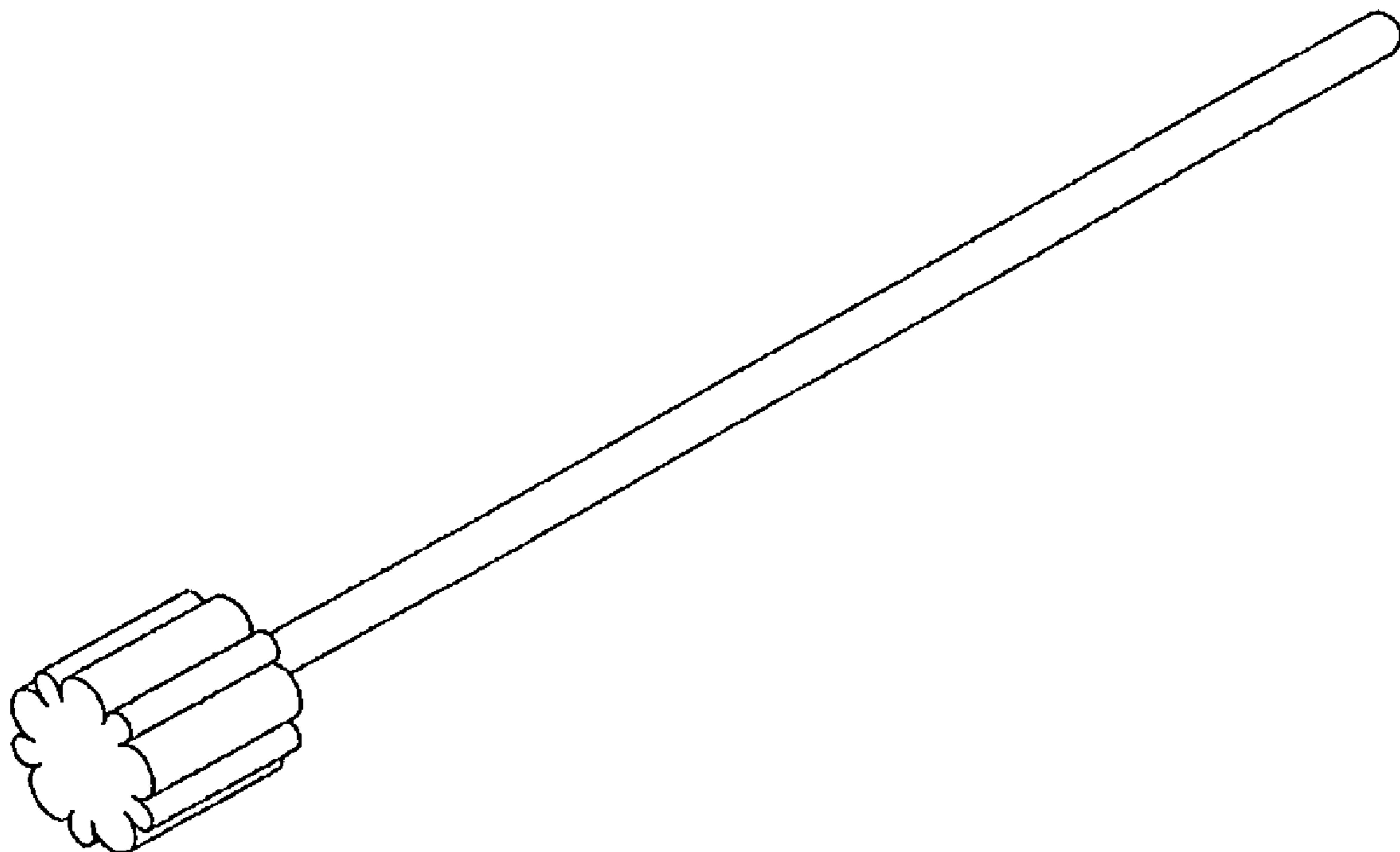


FIG. 1

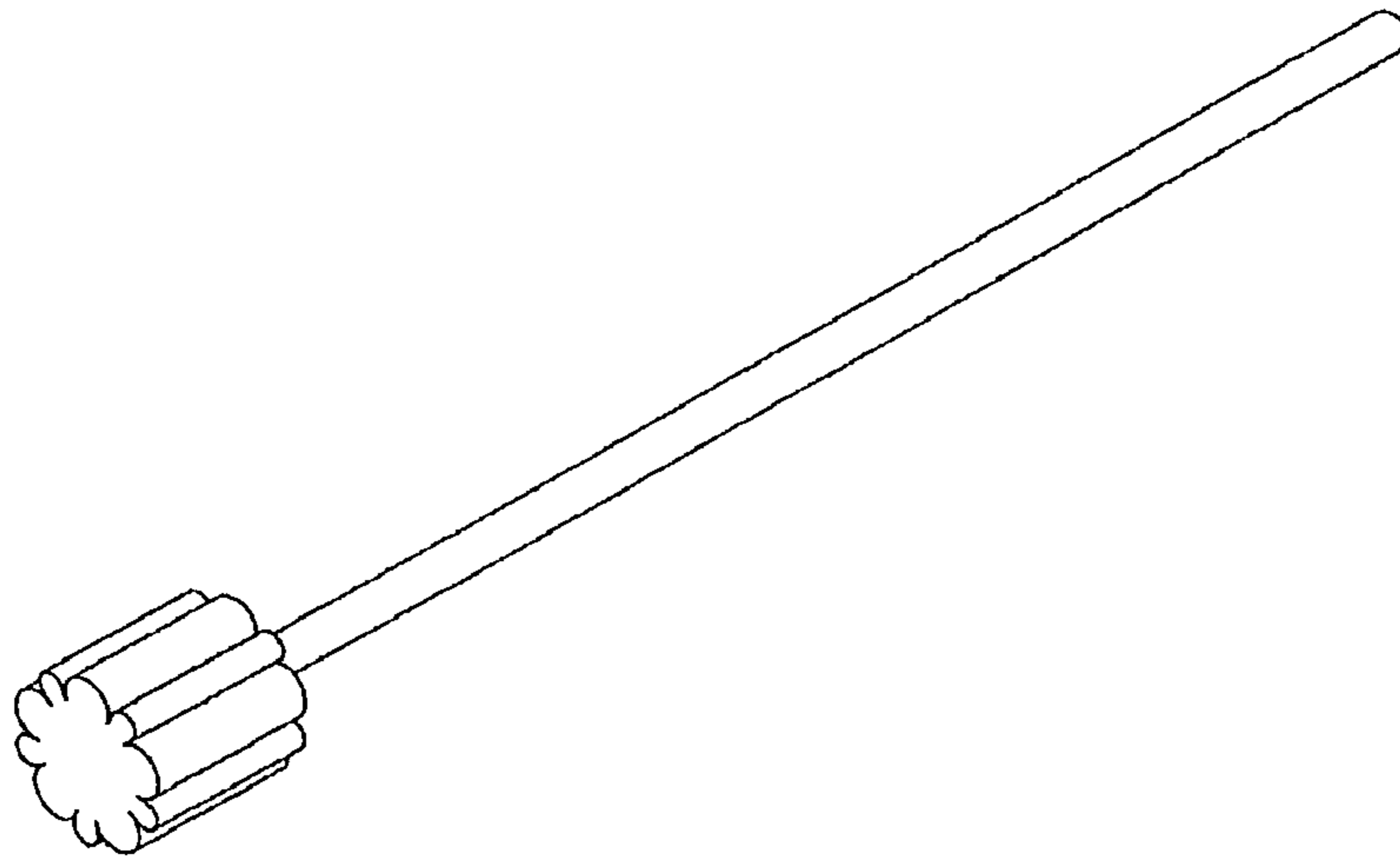


FIG. 2

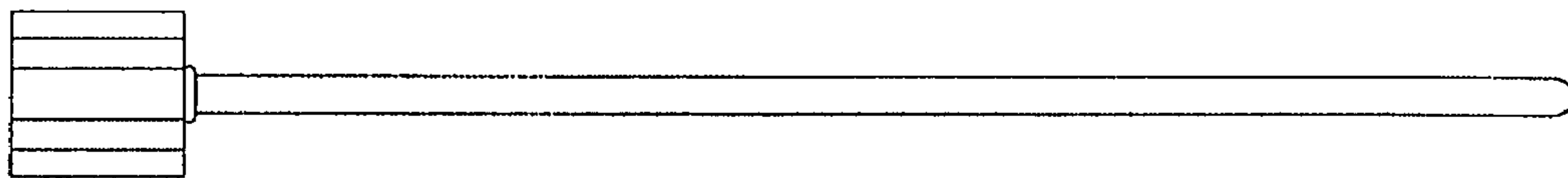


FIG. 3

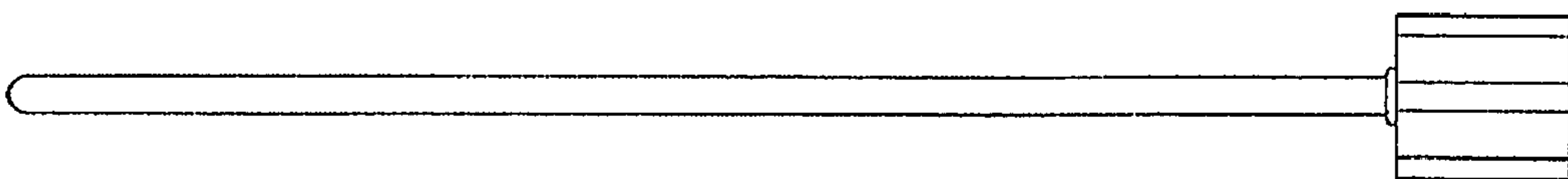


FIG.4

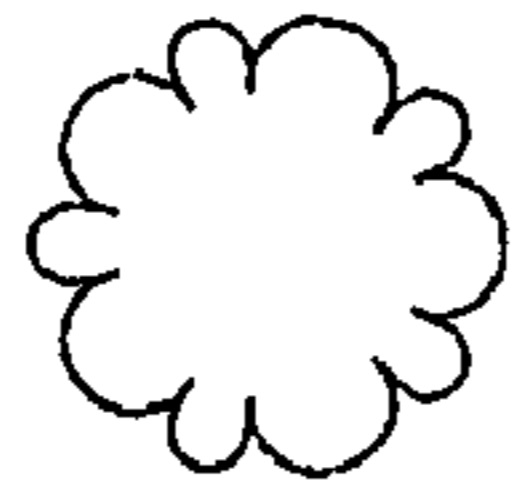


FIG.5

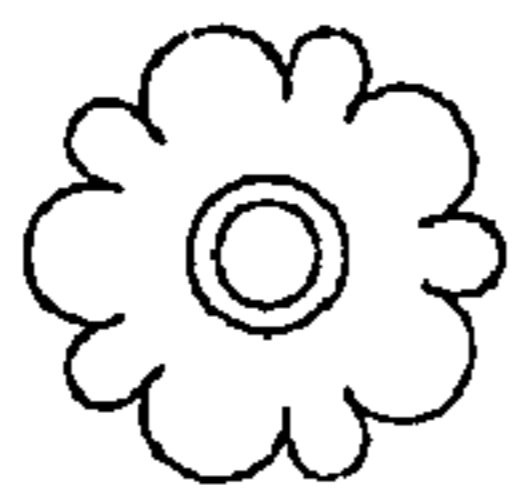


FIG.6

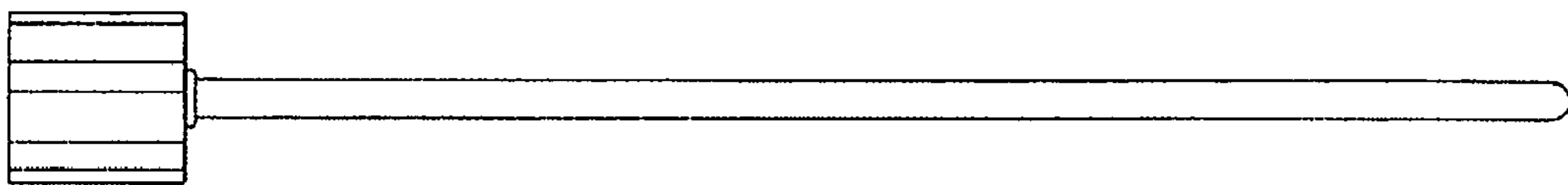


FIG.7

