



US00D623735S

(12) **United States Design Patent**
Tsuruoka et al.

(10) **Patent No.:** **US D623,735 S**
(45) **Date of Patent:** **** Sep. 14, 2010**

(54) **PORTION OF AN INFUSION SOLUTION BAG**

(75) Inventors: **Tatsuro Tsuruoka**, Naruto (JP);
Yasuhiro Ishikawa, Naruto (JP)

(73) Assignee: **Otsuka Pharmaceutical Factory, Inc.**,
Tokushima (JP)

(**) Term: **14 Years**

(21) Appl. No.: **29/302,583**

(22) Filed: **Jan. 18, 2008**

(30) **Foreign Application Priority Data**

Jul. 19, 2007 (JP) 2007-188635

(51) **LOC (9) Cl.** **24-02**

(52) **U.S. Cl.** **D24/118**

(58) **Field of Classification Search** D8/373,
D8/380, 396; D9/696, 702, 703, 704, 705,
D9/706, 708, 709, 710; D24/108, 111, 117,
D24/118, 121, 122, 127, 128; D21/486;
D25/153, 155; D30/120; 128/DIG. 24; 206/219;
224/224; 248/74.3; 383/22, 23; 424/663;
434/195; 446/75, 76, 107; 604/262, 317,
604/327, 345, 331, 332, 403, 408, 410
See application file for complete search history.

(56) **References Cited**

U.S. PATENT DOCUMENTS

1,332,985	A *	3/1920	Jarrett	206/222
1,607,544	A *	11/1926	McCready	116/240
1,969,603	A *	8/1934	Gibson	451/445
D130,744	S *	12/1941	Krasemann, Sr.	D8/380
3,039,575	A *	6/1962	Graham	52/578
3,199,823	A *	8/1965	Stall	248/265
3,254,866	A *	6/1966	Hamrick	248/74.3
3,315,386	A *	4/1967	Kest et al.	40/638

(Continued)

FOREIGN PATENT DOCUMENTS

TW D121042 1/2008

OTHER PUBLICATIONS

Notice of Allowance dated Sep. 17, 2008 issued in Taiwanese Application No. 097300312, 2 pages.

(Continued)

Primary Examiner—Elizabeth A Albert

Assistant Examiner—Karen E Eldridge Powers

(74) *Attorney, Agent, or Firm*—Osha • Liang LLP

(57) **CLAIM**

The ornamental design for a portion of an infusion solution bag, as shown and described.

DESCRIPTION

FIG. 1 shows a perspective view of a portion of an infusion solution bag according to the invention.

FIG. 2 shows a front view of the design according to the invention.

FIG. 3 shows a rear view of the design according to the invention.

FIG. 4 shows a top plan view of the design according to the invention.

FIG. 5 shows a bottom plan view of the design according to the invention.

FIG. 6 shows a right side view of the design according to the invention.

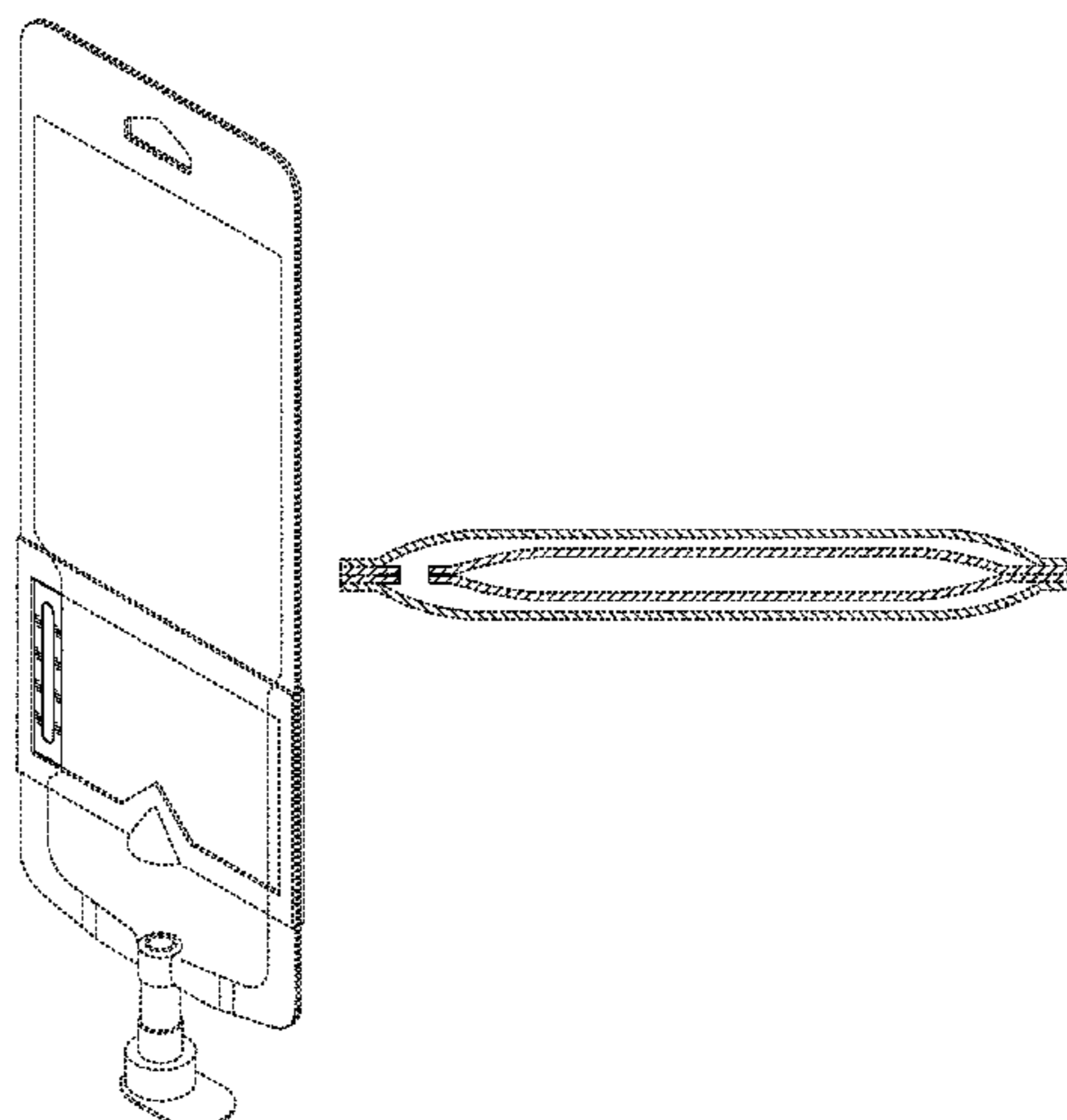
FIG. 7 shows an enlarged detail view of the design according to the invention.

FIG. 8 shows a section view of 8—8 from FIG. 7 of the design according to the invention; and,

FIG. 9 shows a section view of 9—9 from FIG. 7 of the design according to the invention.

The dash-dot-dash broken lines in the drawings represent the bounds of the claimed design while all other broken lines are directed to environment and are for illustrative purposes only; the broken lines form no part of the claimed invention.

1 Claim, 6 Drawing Sheets



US D623,735 S

Page 2

U.S. PATENT DOCUMENTS

3,419,719	A *	12/1968	Goffe et al.	378/184	6,371,521	B1 *	4/2002	Petkovsek	283/67
3,567,165	A *	3/1971	White	248/68.1	6,413,604	B1 *	7/2002	Matthews et al.	428/40.1
3,705,646	A *	12/1972	Jankowski et al.	206/219	6,415,560	B1 *	7/2002	Rinderer	52/167.1
3,915,212	A *	10/1975	Bujan et al.	604/408	D469,121	S *	1/2003	Manzo	D19/34
D242,408	S *	11/1976	Enckler	D8/373	D469,172	S *	1/2003	Warren et al.	D23/341
4,032,096	A *	6/1977	Perrault et al.	248/73	6,685,153	B2 *	2/2004	Foreman	248/313
D253,968	S *	1/1980	Bogan	D25/155	D490,113	S *	5/2004	Nykoluk	D20/27
4,198,795	A *	4/1980	Barnidge	52/180	D495,435	S *	8/2004	Hauck	D25/155
4,272,006	A *	6/1981	Kao	228/183	D501,261	S *	1/2005	Hauck et al.	D25/156
4,342,395	A *	8/1982	Brown	206/530	6,863,311	B2 *	3/2005	Riley	283/109
D266,609	S *	10/1982	Bartscher	D30/120	6,962,371	B1 *	11/2005	Petkovsek	283/81
4,367,142	A *	1/1983	Blecher	210/163	6,976,786	B1 *	12/2005	Stanley, Jr.	383/25
4,387,804	A *	6/1983	Austin	206/218	D531,490	S *	11/2006	Walker	D8/380
D270,517	S *	9/1983	Raskin	D24/143	D539,904	S *	4/2007	Inoue et al.	D24/118
D277,115	S *	1/1985	Liebman	D20/27	D552,235	S *	10/2007	Inoue et al.	D24/118
4,515,498	A *	5/1985	Thomann et al.	404/4	D555,787	S *	11/2007	Inoue et al.	D24/118
D289,274	S *	4/1987	Troup	D12/133	D560,799	S *	1/2008	Inoue et al.	D24/118
D297,573	S *	9/1988	Greco	D25/50	D567,940	S *	4/2008	Inoue et al.	D24/118
4,836,378	A *	6/1989	Lephardt	206/459.5	7,350,820	B1 *	4/2008	Petkovsek	283/61
5,100,090	A *	3/1992	Drower	248/248	D586,206	S *	2/2009	Robbins et al.	D8/380
5,176,634	A *	1/1993	Smith et al.	604/87	D603,957	S *	11/2009	Sato et al.	D24/118
5,411,295	A *	5/1995	Bates et al.	283/81	2006/0257608	A1 *	11/2006	Severn et al.	428/40.1
5,507,526	A *	4/1996	Petkovsek	283/67	2007/0147712	A1 *	6/2007	Ozdeger Donovan et al. .	383/22
5,597,256	A *	1/1997	Burton et al.	402/4					
5,632,457	A *	5/1997	Neely, Jr.	248/69					
5,900,307	A *	5/1999	Barcikowski	428/203					
6,149,204	A *	11/2000	Casper	283/81					
6,299,213	B1 *	10/2001	Souparis	283/81					

OTHER PUBLICATIONS

Search Report dated Sep. 2, 2008 issued in Taiwanese Application No. 097300312, 1 page.

* cited by examiner

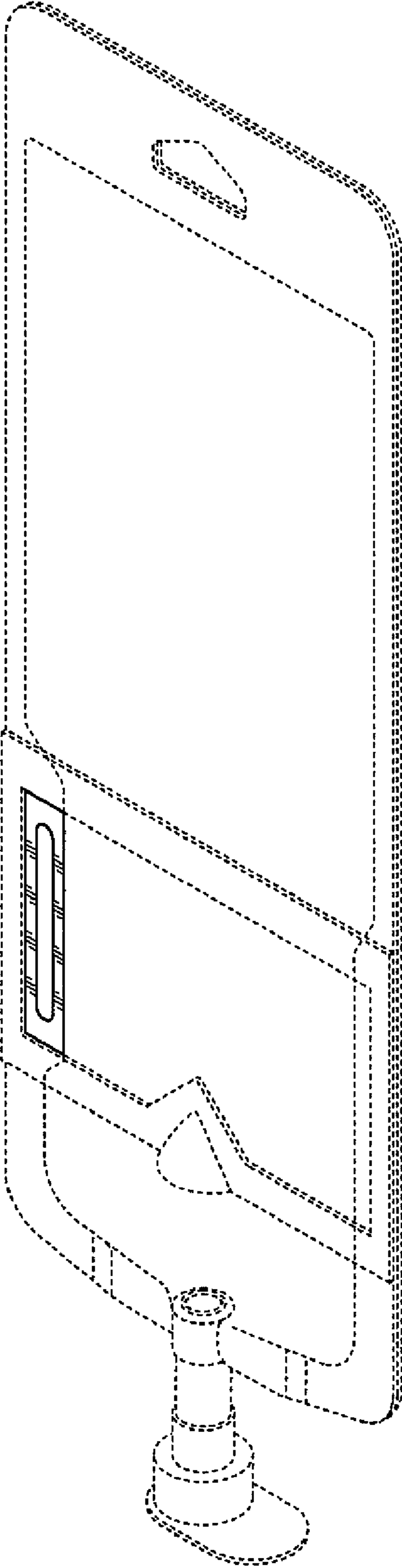


FIG. 1

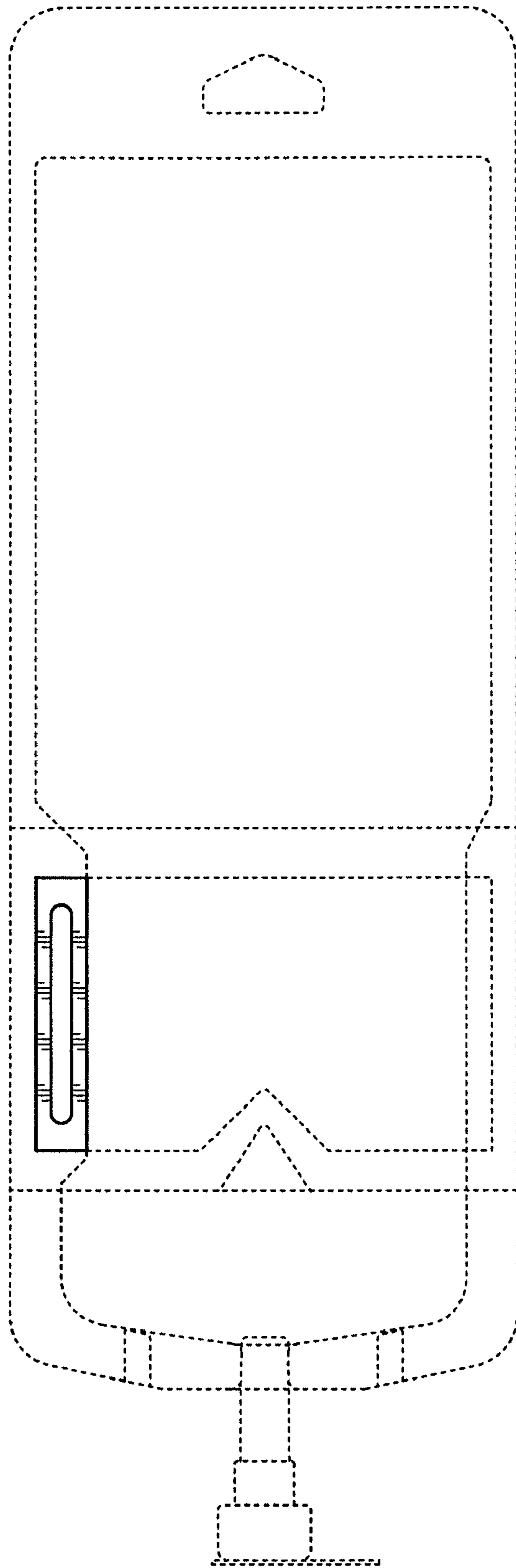


FIG. 2

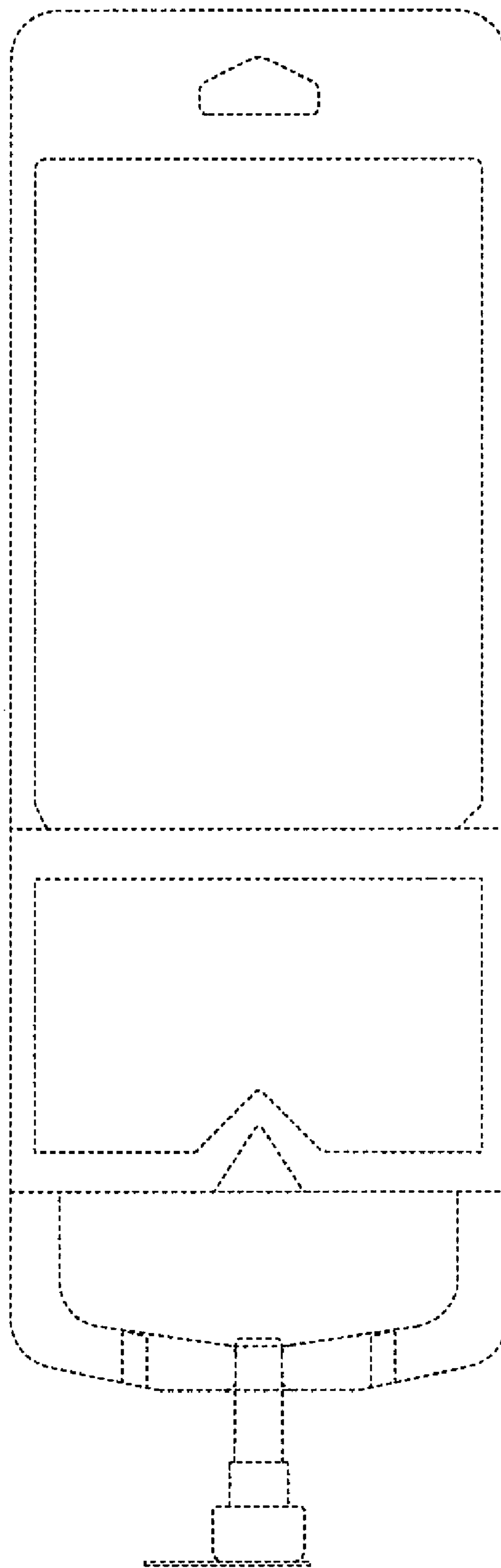


FIG. 3

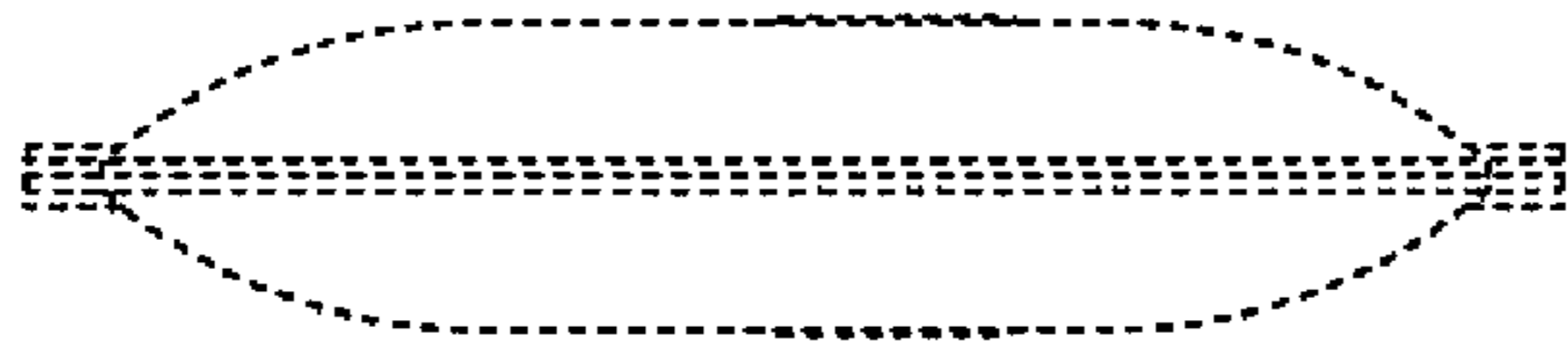


FIG. 4

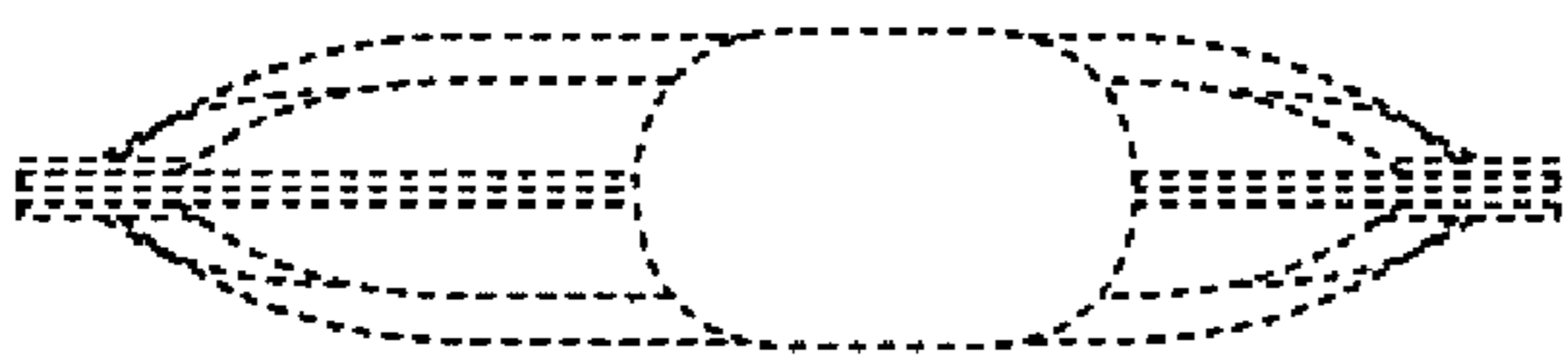


FIG. 5

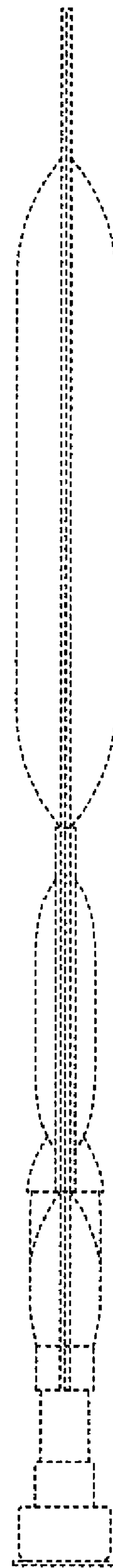


FIG. 6

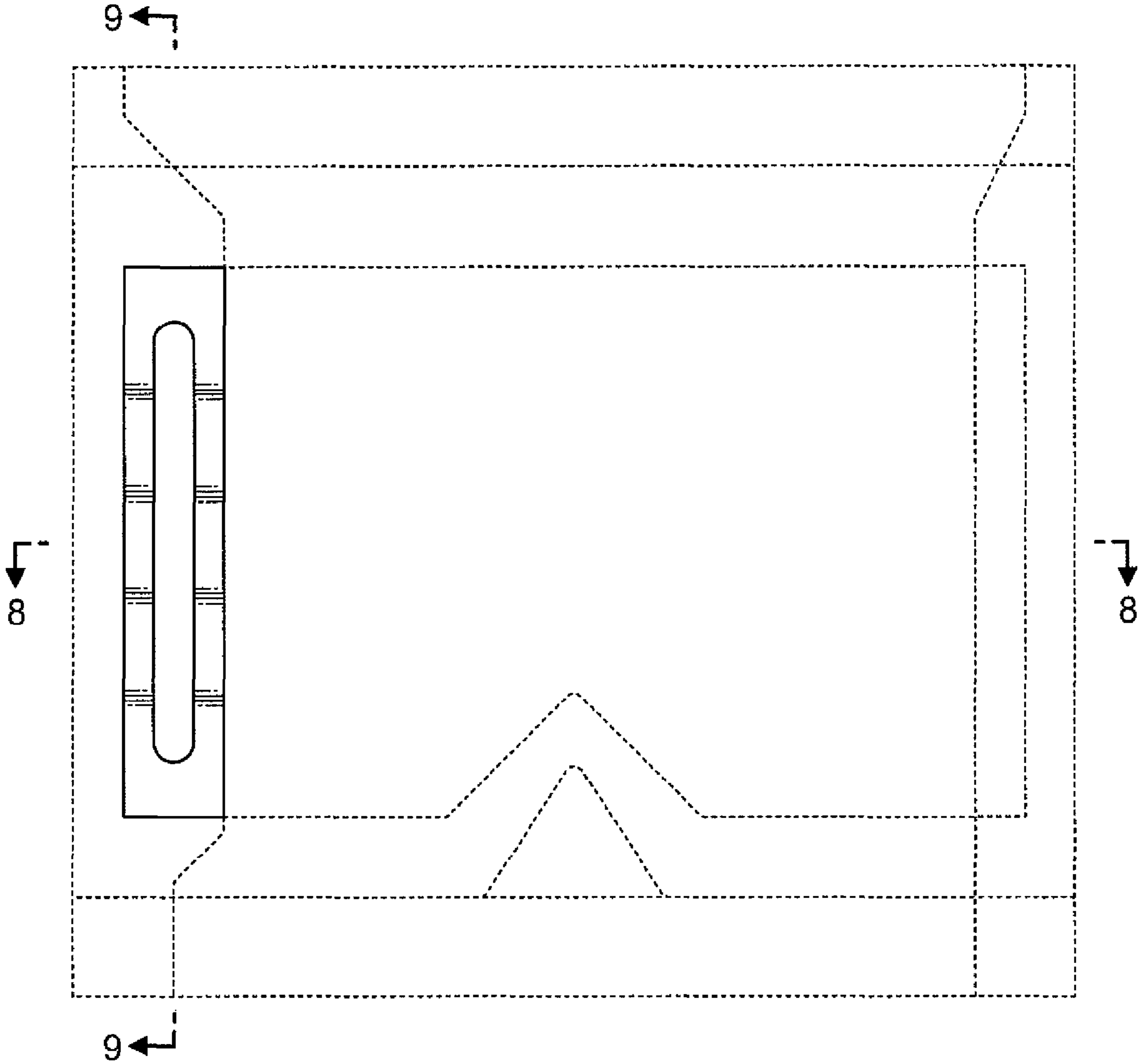


FIG. 7

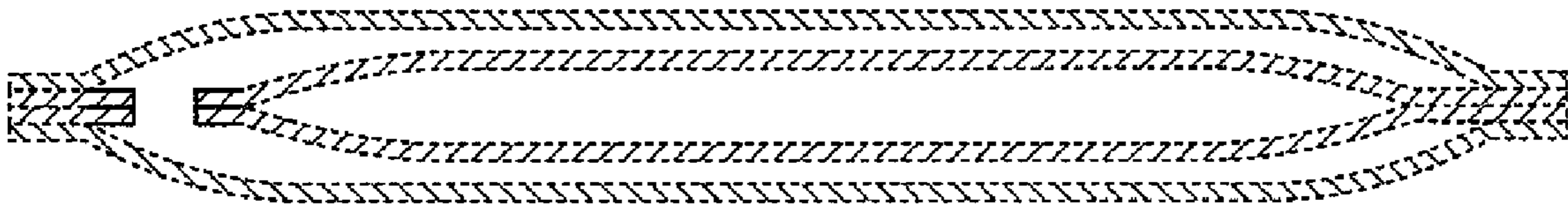


FIG. 8

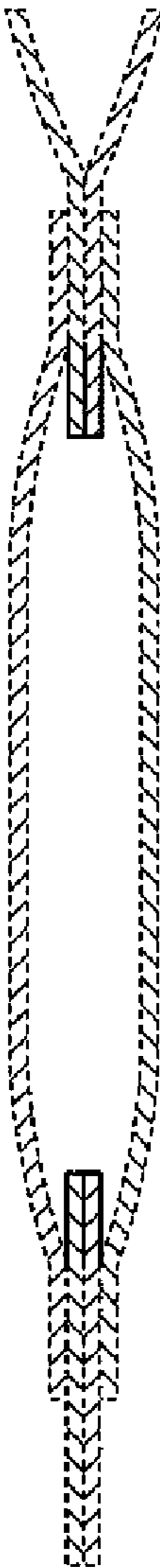


FIG. 9