



US00D623734S

(12) **United States Design Patent**
Tsuruoka et al.

(10) **Patent No.:** **US D623,734 S**
(45) **Date of Patent:** **** Sep. 14, 2010**

(54) **PORTION OF AN INFUSION SOLUTION BAG**

(75) Inventors: **Tatsuro Tsuruoka**, Naruto (JP);
Yasuhiro Ishikawa, Naruto (JP)

(73) Assignee: **Otsuka Pharmaceutical Factory, Inc.**,
Tokushima (JP)

(**) Term: **14 Years**

(21) Appl. No.: **29/302,580**

(22) Filed: **Jan. 18, 2008**

(30) **Foreign Application Priority Data**

Jul. 19, 2007 (JP) 2007-019612

(51) **LOC (9) Cl.** **24-02**

(52) **U.S. Cl.** **D24/118**

(58) **Field of Classification Search** D8/373,
D8/380, 396; D9/696, 702, 703, 704, 705,
D9/706, 708, 709, 710; D24/108, 111, 117,
D24/118, 121, 122, 127, 128; D21/486;
D25/153, 155; D30/120; 128/DIG. 24; 206/219;
224/224; 248/74.3; 383/22, 23; 424/663;
434/195; 446/75, 76, 107; 604/262, 317,
604/327, 345, 331, 332, 403, 408, 410
See application file for complete search history.

(56) **References Cited**

U.S. PATENT DOCUMENTS

2,546,012 A * 3/1951 Owen 40/662
2,811,702 A * 10/1957 Narozny 439/741
2,950,028 A * 8/1960 Gewecke 222/95

(Continued)

FOREIGN PATENT DOCUMENTS

TW D121042 1/2008

OTHER PUBLICATIONS

Notice of Allowance dated Sep. 11, 2008 issued in corresponding
Taiwanese Application No. 097300311, 2 pages.

Search Report dated Aug. 7, 2008 issued in corresponding Taiwanese
Application No. 097300311, 1 page.

Primary Examiner—Elizabeth A Albert

Assistant Examiner—Karen E Eldridge Powers

(74) *Attorney, Agent, or Firm*—Osha • Liang LLP

(57) **CLAIM**

The ornamental design for a portion of an infusion solution
bag, as shown and described.

DESCRIPTION

FIG. 1 is a perspective view of a portion of an infusion
solution bag design according to the invention.

FIG. 2 is a front view of the design according to the invention.

FIG. 3 is a rear view of the design according to the invention.

FIG. 4 is a top plan view of the design according to the
invention.

FIG. 5 is a bottom plan view of the design according to the
invention.

FIG. 6 is a right side view of the design according to the
invention.

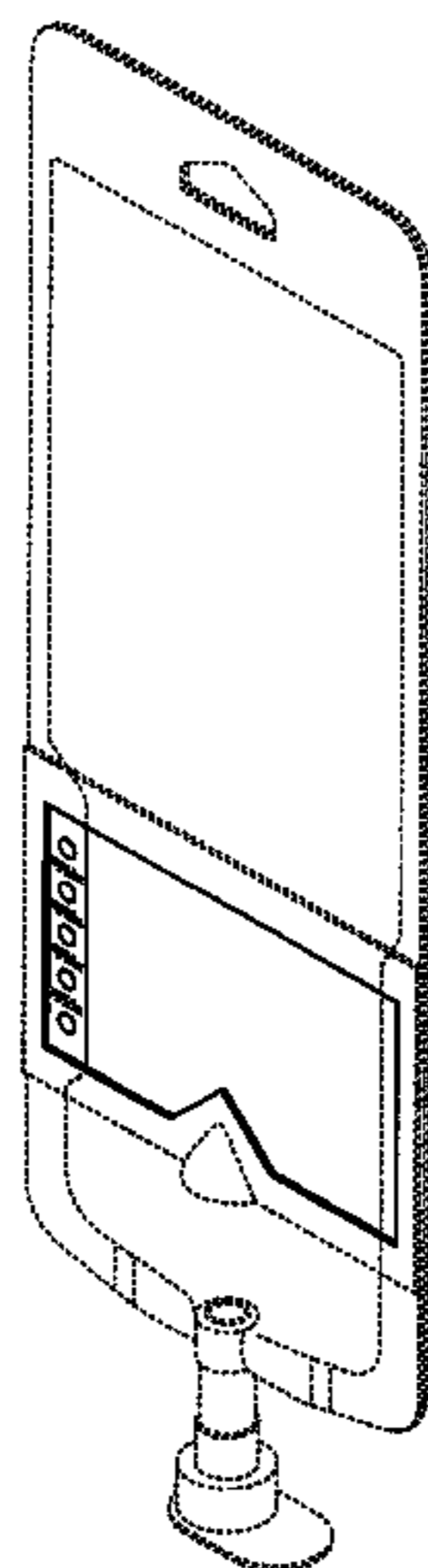
FIG. 7 is an enlarged detail view of the design according to the
invention.

FIG. 8 is a section view of 8—8 from FIG. 7 of the design
according to the invention; and,

FIG. 9 is a section view of 9—9 from FIG. 7 of the design
according to the invention.

The dash-dot-dash broken lines in the drawings represent the
bounds of the claimed design while all other broken lines are
directed to environment and are for illustrative purposes only;
the broken lines form no part of the claimed invention.

1 Claim, 6 Drawing Sheets



US D623,734 S

Page 2

U.S. PATENT DOCUMENTS

3,331,421	A *	7/1967	Lambert	383/47	5,244,233	A *	9/1993	McCraney	283/70
3,496,517	A *	2/1970	Walter	439/49	D345,584	S *	3/1994	Gollon	D20/22
3,591,922	A *	7/1971	Pardee et al.	29/843	5,788,284	A *	8/1998	Hirst	283/81
3,726,276	A *	4/1973	Schumann et al.	604/92	D400,245	S *	10/1998	Niedospial et al.	D24/118
3,780,433	A *	12/1973	Lynch	29/843	D400,253	S *	10/1998	Niedospial et al.	D24/118
D233,336	S *	10/1974	Channing	D20/22	D408,533	S *	4/1999	Niedospial et al.	D24/118
4,044,888	A *	8/1977	Schachter	206/717	D416,477	S *	11/1999	Flint	D9/696
RE29,725	E *	8/1978	Johnson et al.	435/12	D439,328	S *	3/2001	Nielsen	D24/118
4,342,167	A *	8/1982	Stanard	40/121	6,517,921	B2 *	2/2003	Ulrich et al.	428/40.1
4,386,795	A *	6/1983	Charles et al.	283/75	D496,405	S *	9/2004	Stewart et al.	D20/27
4,454,180	A *	6/1984	La Mers	428/42.3	6,838,138	B1 *	1/2005	Akiyama et al.	428/35.7
4,525,399	A *	6/1985	Fields	428/43	6,945,735	B1 *	9/2005	Doverspike	405/184.4
4,537,303	A *	8/1985	Muhlbauer	206/219	D521,047	S *	5/2006	Meadors	D17/20
4,541,034	A *	9/1985	Fanning	361/773	D539,904	S *	4/2007	Inoue et al.	D24/118
4,567,068	A *	1/1986	Weinberg et al.	428/31	D552,235	S *	10/2007	Inoue et al.	D24/118
4,622,034	A *	11/1986	Shattuck	604/179	D555,787	S *	11/2007	Inoue et al.	D24/118
4,634,149	A *	1/1987	Donovan	283/102	D560,799	S *	1/2008	Inoue et al.	D24/118
4,959,254	A *	9/1990	Coburn, Jr.	428/131	D567,940	S *	4/2008	Inoue et al.	D24/118
4,961,666	A *	10/1990	Pitts et al.	402/79	7,473,452	B2 *	1/2009	McKillip	428/40.1
4,990,018	A *	2/1991	Best et al.	402/79	7,559,512	B1 *	7/2009	diGirolamo et al.	248/74.3
D319,669	S *	9/1991	Kronberg	D20/22	D607,559	S *	1/2010	Schena	D24/118
5,050,824	A *	9/1991	Hubbard	248/57	2004/0163862	A1 *	8/2004	Yamaguchi	180/65.2
					2008/0262651	A1 *	10/2008	Luechinger et al.	700/240

* cited by examiner

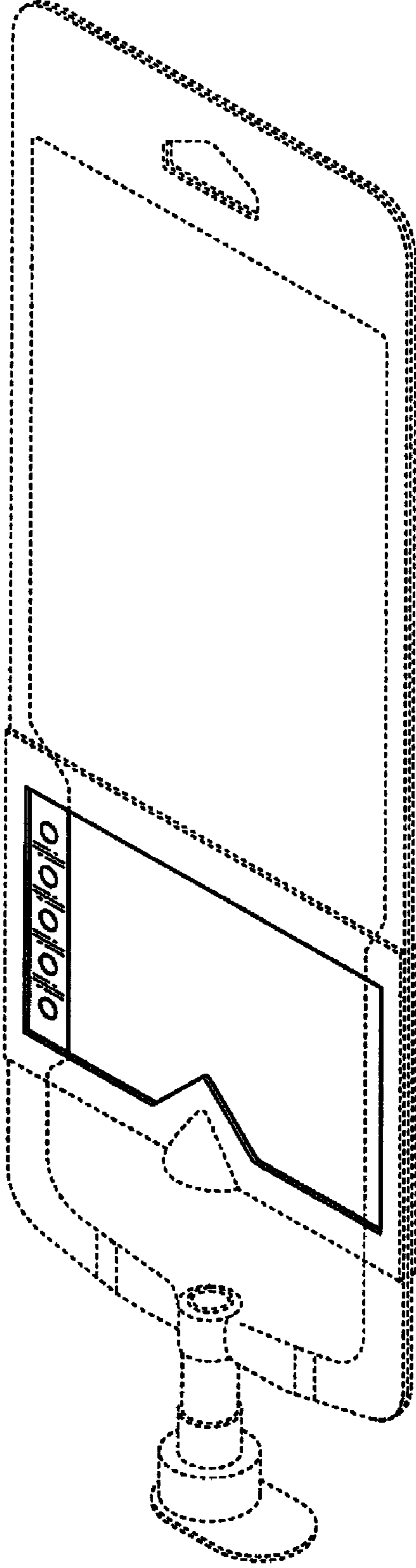


FIG. 1

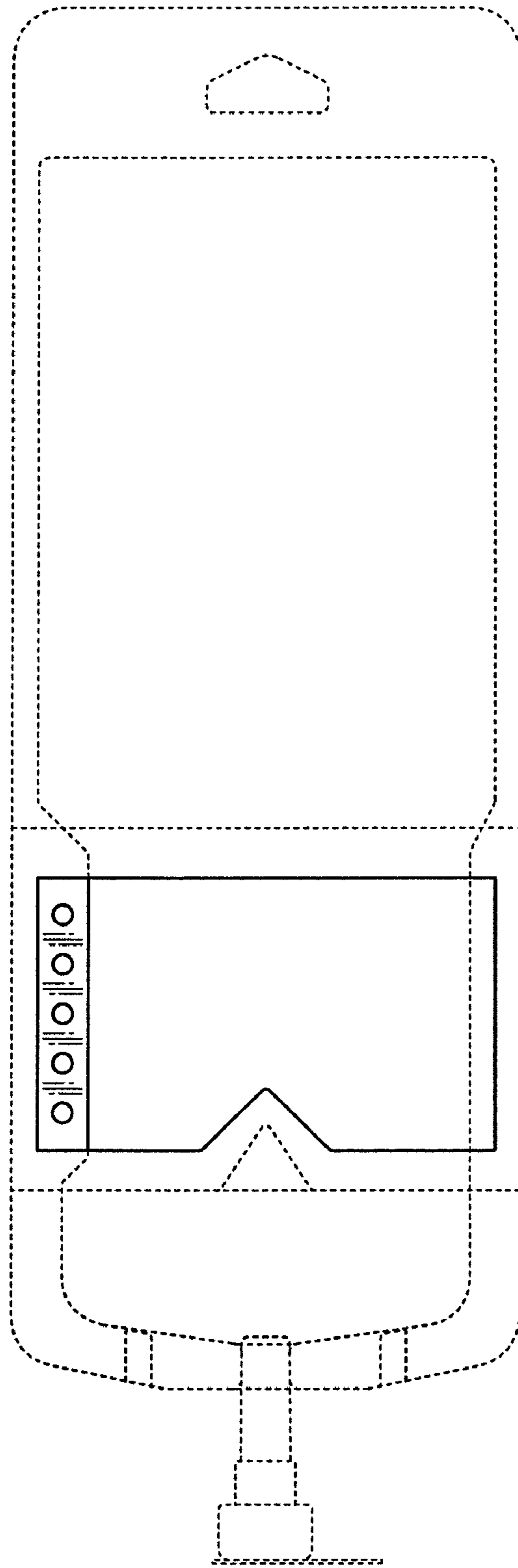


FIG. 2

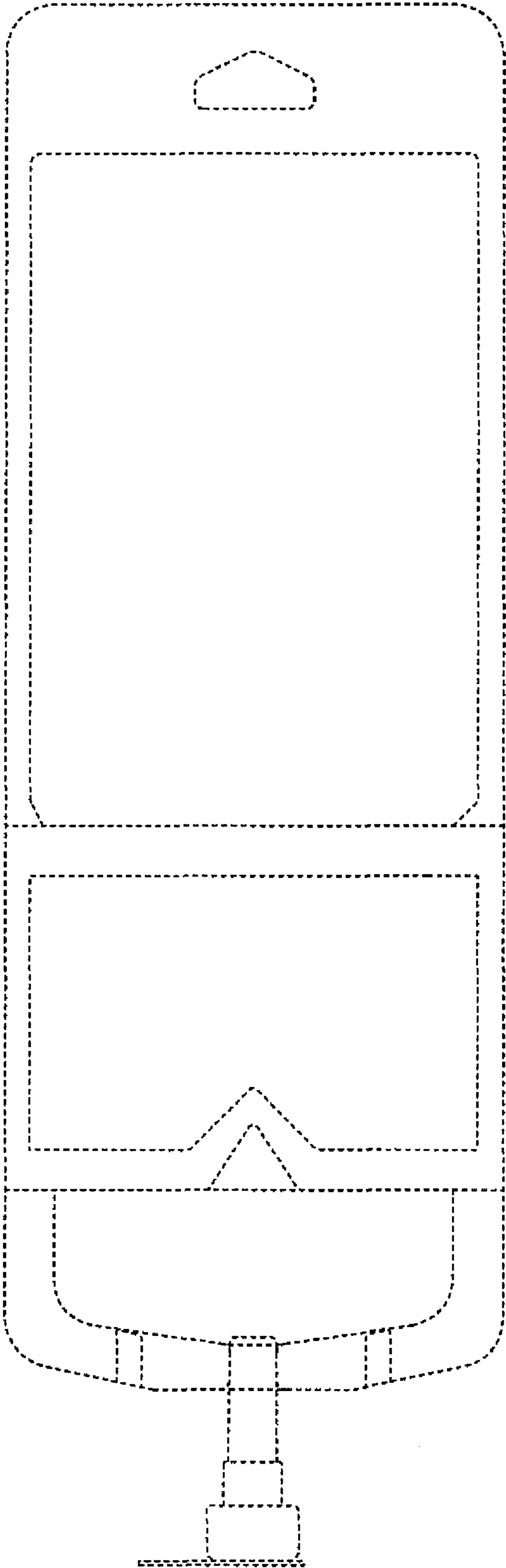


FIG. 3

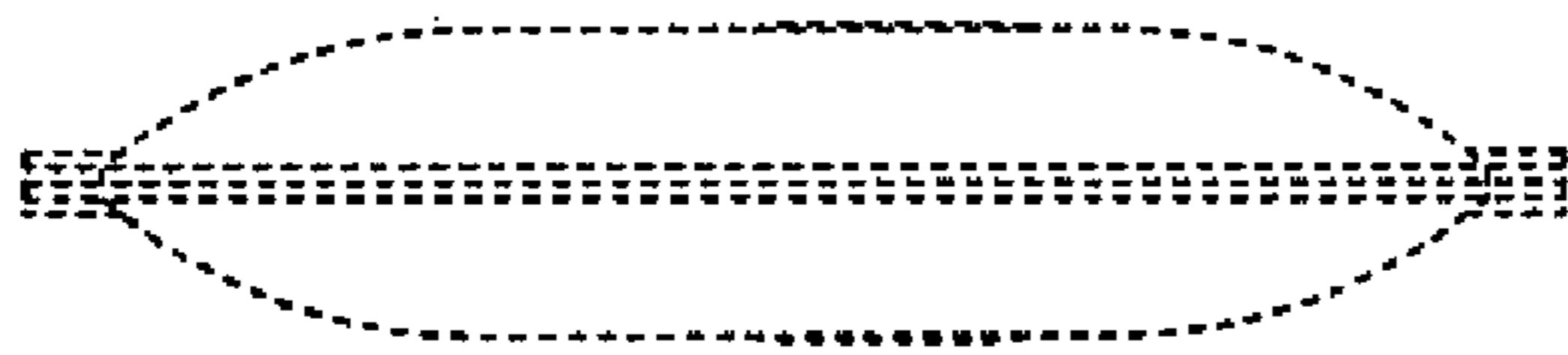


FIG. 4

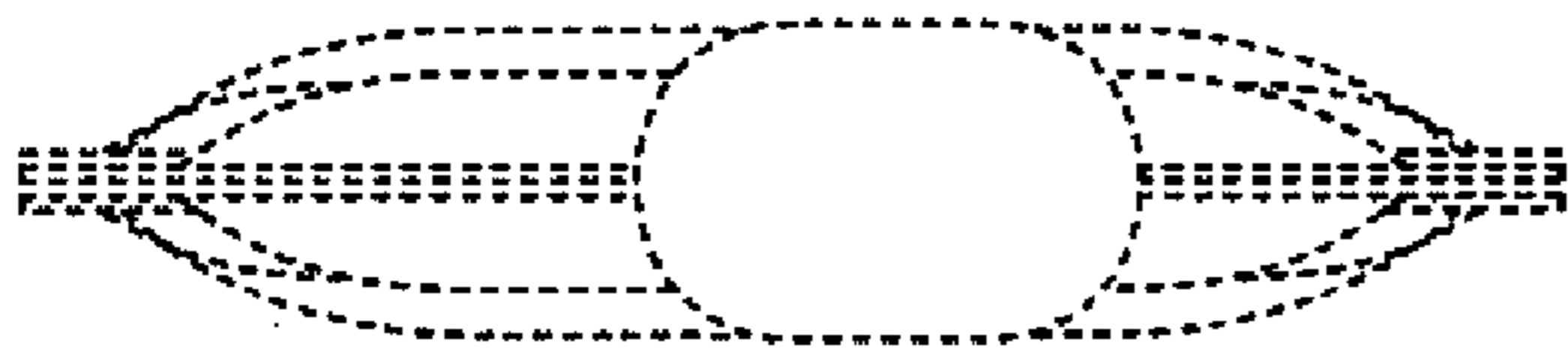


FIG. 5

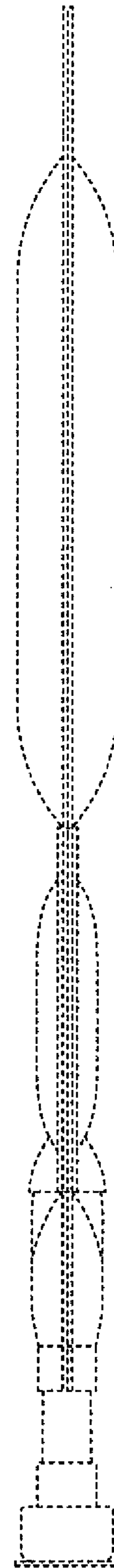


FIG. 6

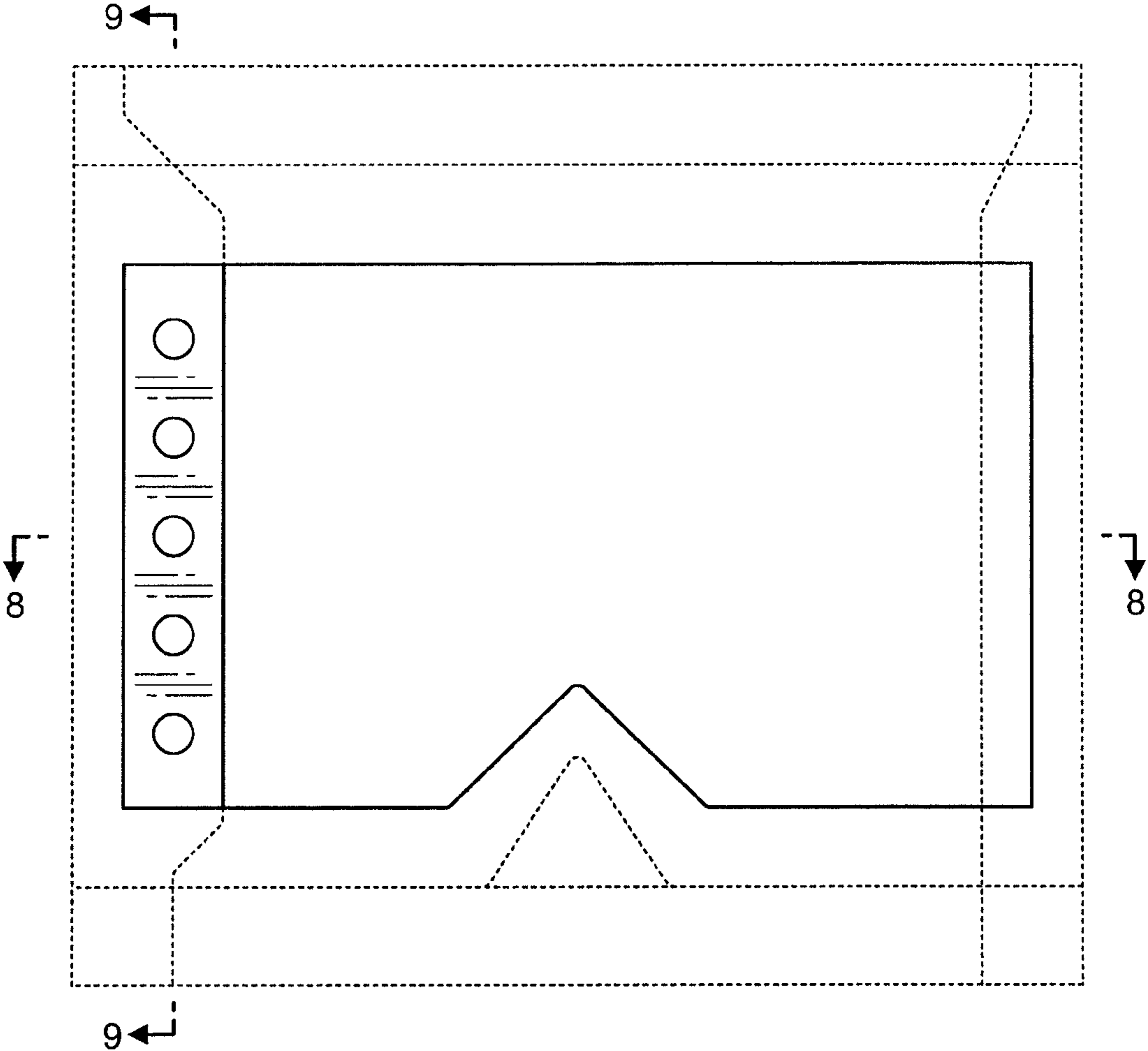


FIG. 7

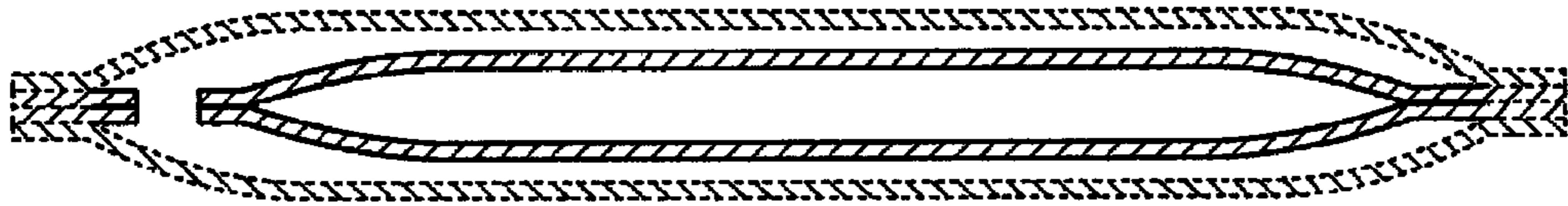


FIG. 8



FIG. 9