



US00D623731S

(12) **United States Design Patent**
Snyder

(10) **Patent No.:** **US D623,731 S**

(45) **Date of Patent:** **** Sep. 14, 2010**

(54) **POKE THROUGH**

(75) Inventor: **Darryl L. Snyder**, Sarasota, FL (US)

(73) Assignee: **SGC Technologies, L.L.C.**, Canton, OH (US)

(**) Term: **14 Years**

(21) Appl. No.: **29/354,379**

(22) Filed: **Jan. 22, 2010**

(51) **LOC (9) Cl.** **23-04**

(52) **U.S. Cl.** **D23/393**

(58) **Field of Classification Search** D23/385–395,
D23/262, 266, 244, 397, 370–373, 365, 351,
D23/354, 399–403; 454/309, 275–277, 284,
454/287–291; 174/360, 135, 483, 484, DIG. 8;
52/220.5, 220.8; 285/363, 298, 302, 330;
405/119

See application file for complete search history.

(56) **References Cited**

U.S. PATENT DOCUMENTS

343,025 A	6/1886	Gordon et al.
403,564 A	5/1889	Sullivan
641,580 A	1/1900	Cummins
1,776,656 A	9/1930	Frederickson
1,992,574 A	2/1935	Jenkins
2,397,655 A *	4/1946	Francis D23/266
3,312,919 A *	4/1967	Ross 174/360
3,460,322 A	8/1969	Rivers et al.
3,740,934 A	6/1973	Shuler
3,745,500 A *	7/1973	Simon 174/DIG. 8
4,020,875 A	5/1977	Akiba
4,174,126 A	11/1979	Hauff
4,429,497 A	2/1984	Dibernardi
4,467,914 A	8/1984	Trammel et al.
4,607,469 A	8/1986	Harrison
4,711,160 A	12/1987	Witten et al.
4,712,342 A	12/1987	Legerius et al.
4,765,375 A	8/1988	Nakajima
4,773,197 A	9/1988	Sullivan
4,817,348 A	4/1989	Wydra

4,853,667 A *	8/1989	Freimuth et al.	174/135
4,858,520 A	8/1989	Prochnow et al.	
4,967,524 A	11/1990	Hull et al.	
5,393,930 A	2/1995	Wuertz	
5,421,775 A	6/1995	Honda	
D380,813 S *	7/1997	Motz et al.	D23/265
5,729,938 A	3/1998	Tobias	

(Continued)

FOREIGN PATENT DOCUMENTS

IT 295401 10/1936

Primary Examiner—T. Chase Nelson
Assistant Examiner—David G Muller
(74) *Attorney, Agent, or Firm*—Zollinger & Burleson Ltd.

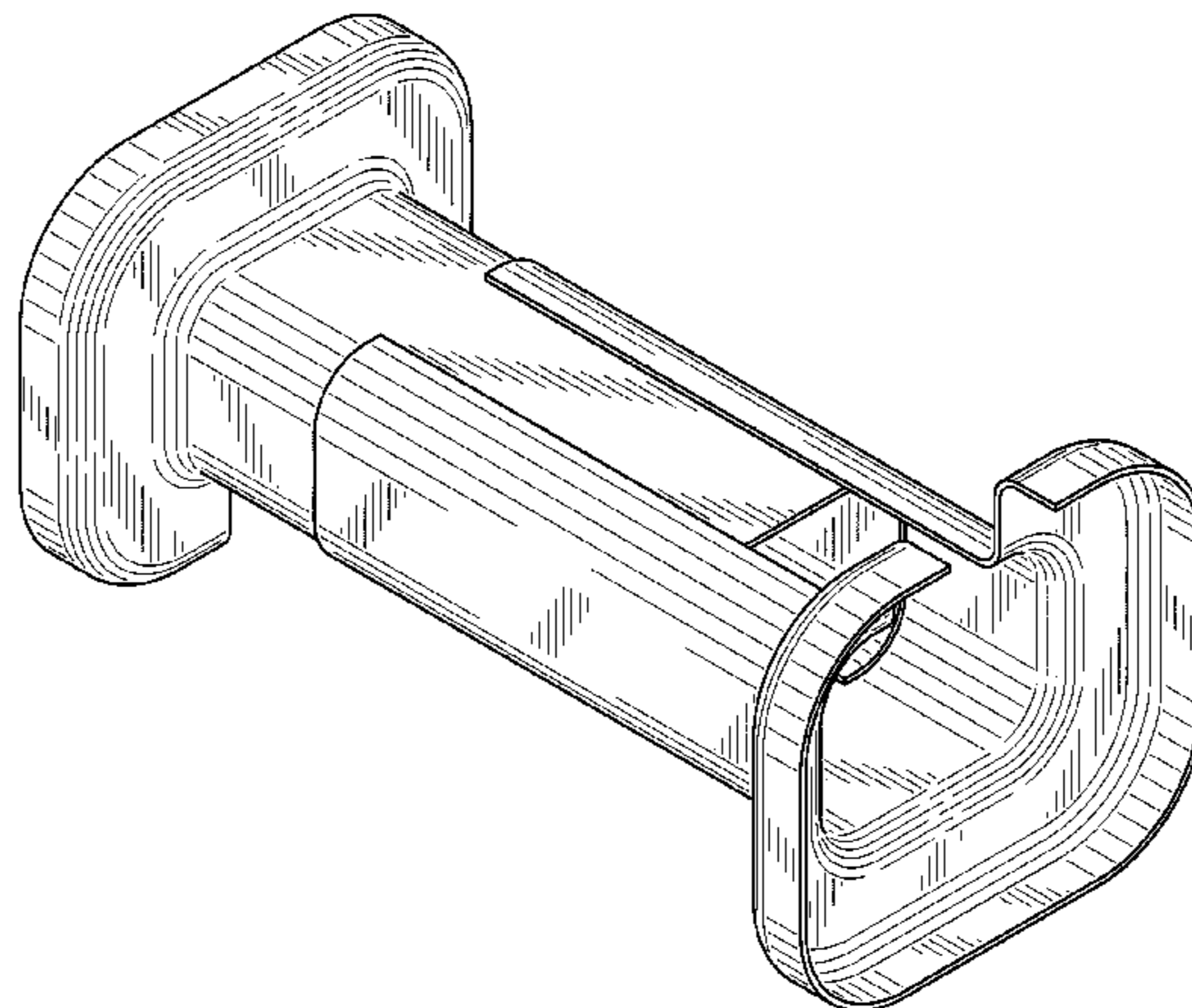
(57) **CLAIM**

The ornamental design for the poke through, as shown and described.

DESCRIPTION

FIG. 1 is a perspective view of a poke through showing my new design;
FIG. 2 is a front elevation view of FIG. 1;
FIG. 3 is a rear elevation view of FIG. 1;
FIG. 4 is a top plan view of FIG. 1;
FIG. 5 is a bottom plan view of FIG. 1; and,
FIG. 6 is a left side elevation view of FIG. 1; the right side elevation view being a mirror image thereof.

1 Claim, 5 Drawing Sheets



US D623,731 S

Page 2

U.S. PATENT DOCUMENTS

D394,901 S	6/1998	Governale et al.		D494,266 S	8/2004	Snyder	
5,768,839 A *	6/1998	McCabe	52/220.8	D495,048 S	8/2004	Snyder	
5,813,706 A	9/1998	Travis		D495,404 S *	8/2004	Wilk et al.	D23/262
5,950,369 A *	9/1999	Amatsutsu et al.	52/220.8	D503,791 S	4/2005	Snyder	
6,024,127 A	2/2000	Johnson		D503,792 S	4/2005	Snyder	
6,125,593 A	10/2000	Randolph et al.		D503,793 S	4/2005	Snyder	
6,280,117 B1 *	8/2001	Obermeyer et al.	405/119	6,969,799 B2	11/2005	Snyder	
6,353,180 B1	3/2002	DeBartolo et al.		D513,072 S	12/2005	Berg	
6,470,635 B2	10/2002	Cornwall		6,998,530 B2	2/2006	Snyder	
6,495,753 B1	12/2002	Goodsell et al.		7,055,863 B1 *	6/2006	Commeville et al.	52/220.8
6,518,498 B1	2/2003	Bonilla et al.		D524,427 S *	7/2006	Wilk et al.	D23/262
6,583,357 B2	6/2003	Rubenstein		D541,405 S	4/2007	Snyder	
6,766,832 B2 *	7/2004	DiMarco	285/302	D612,925 S *	3/2010	Kameyama et al.	D23/393
				2003/0009961 A1	1/2003	Radke et al.	

* cited by examiner

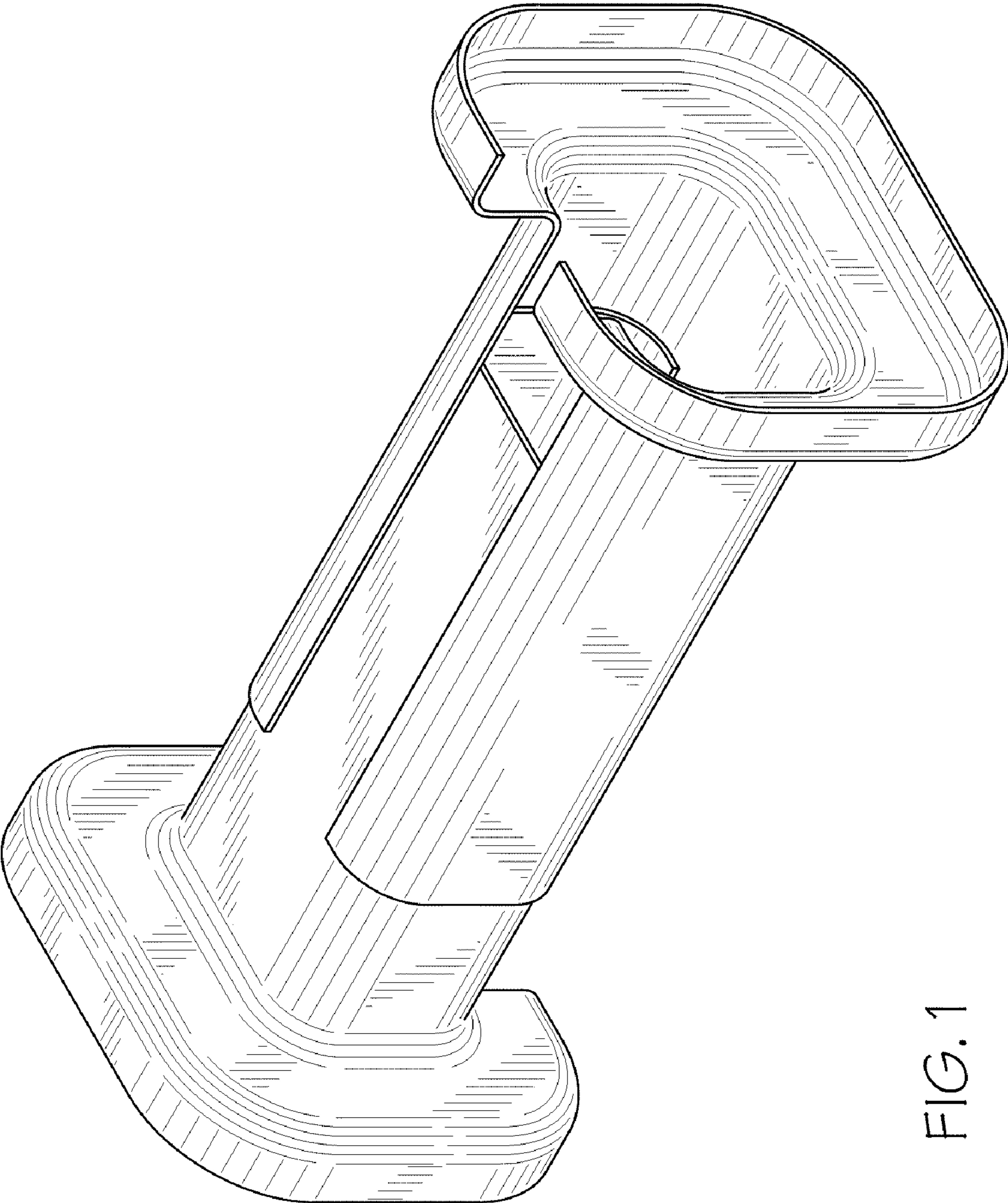


FIG. 1

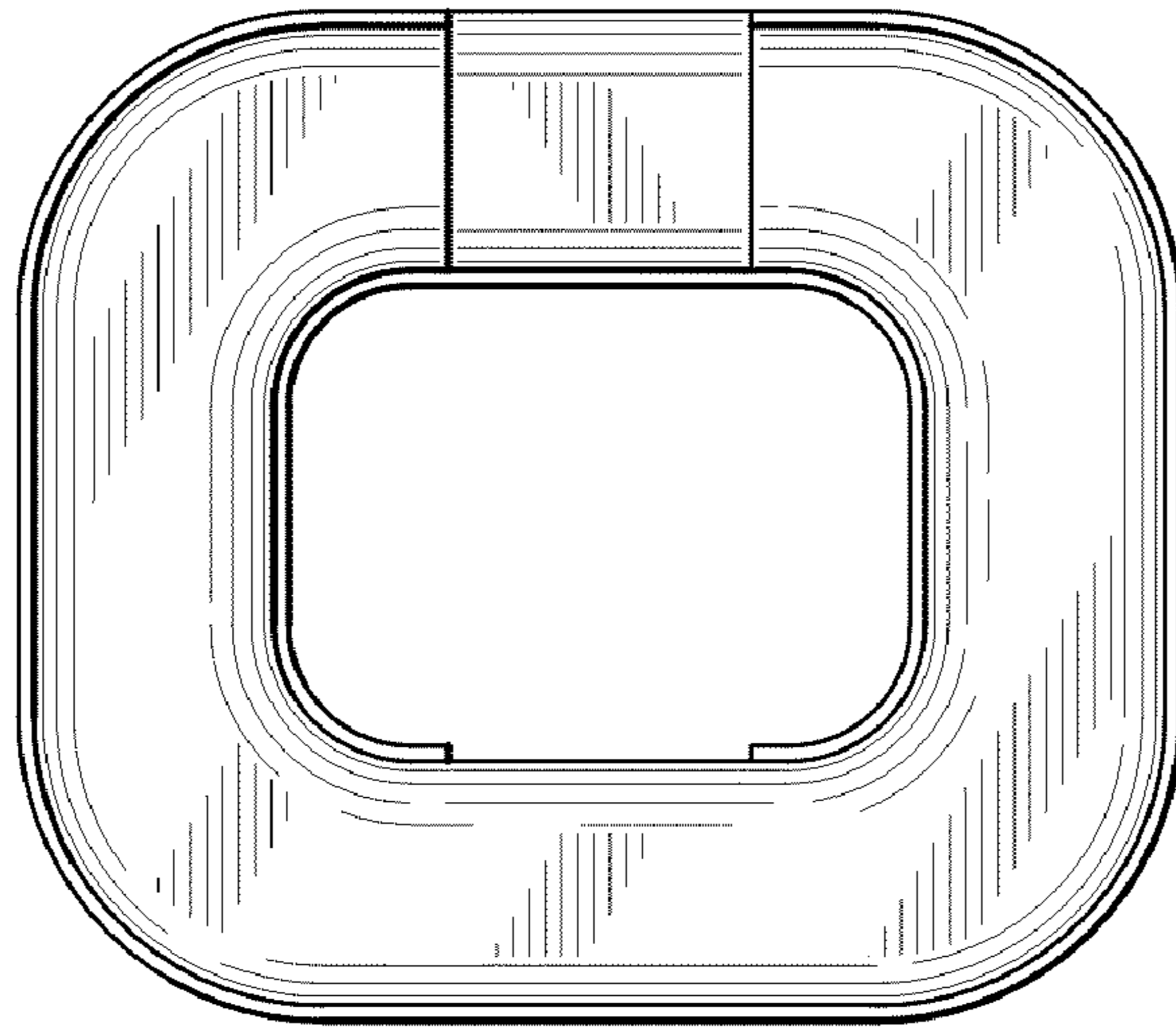


FIG. 2

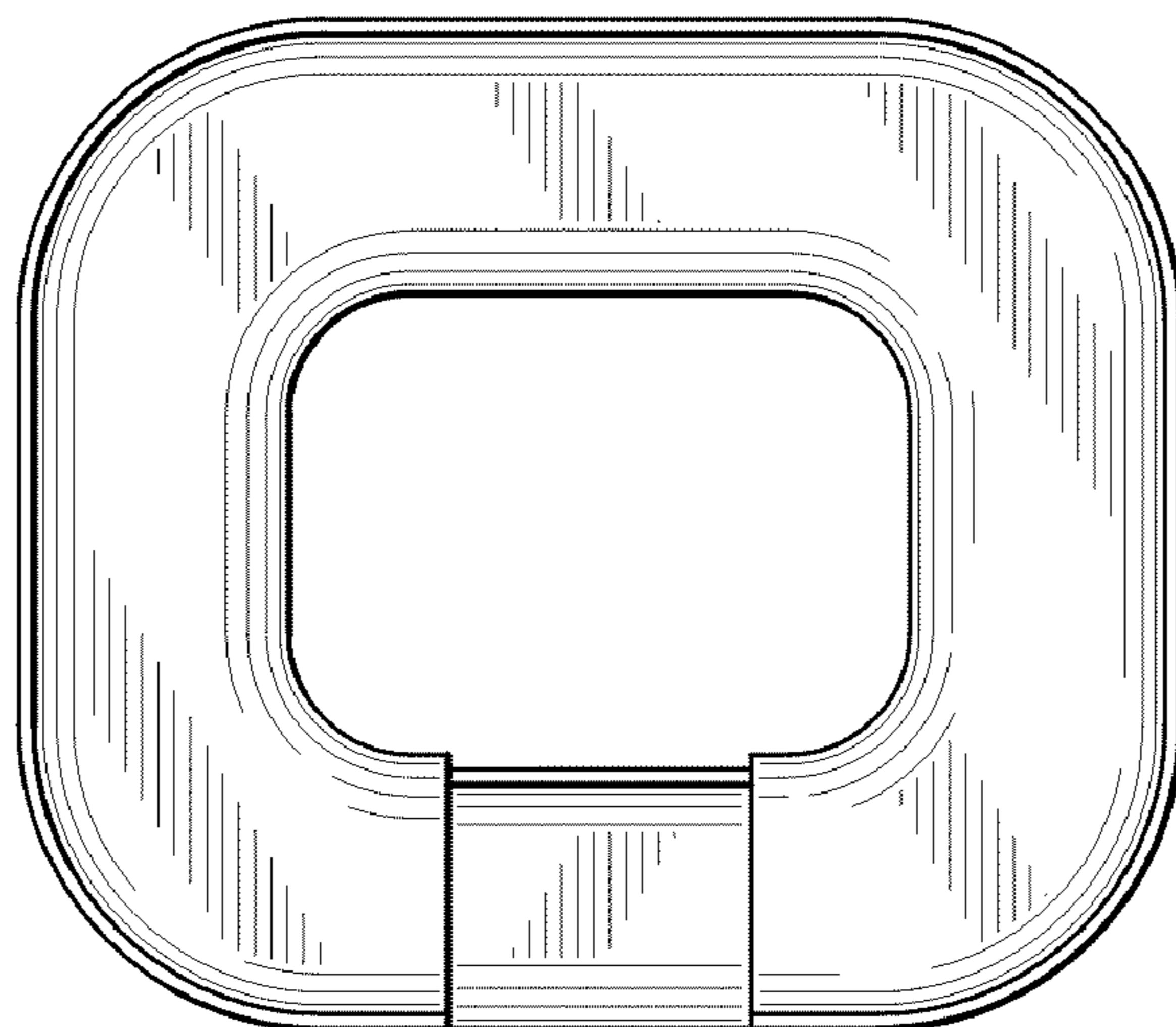


FIG. 3

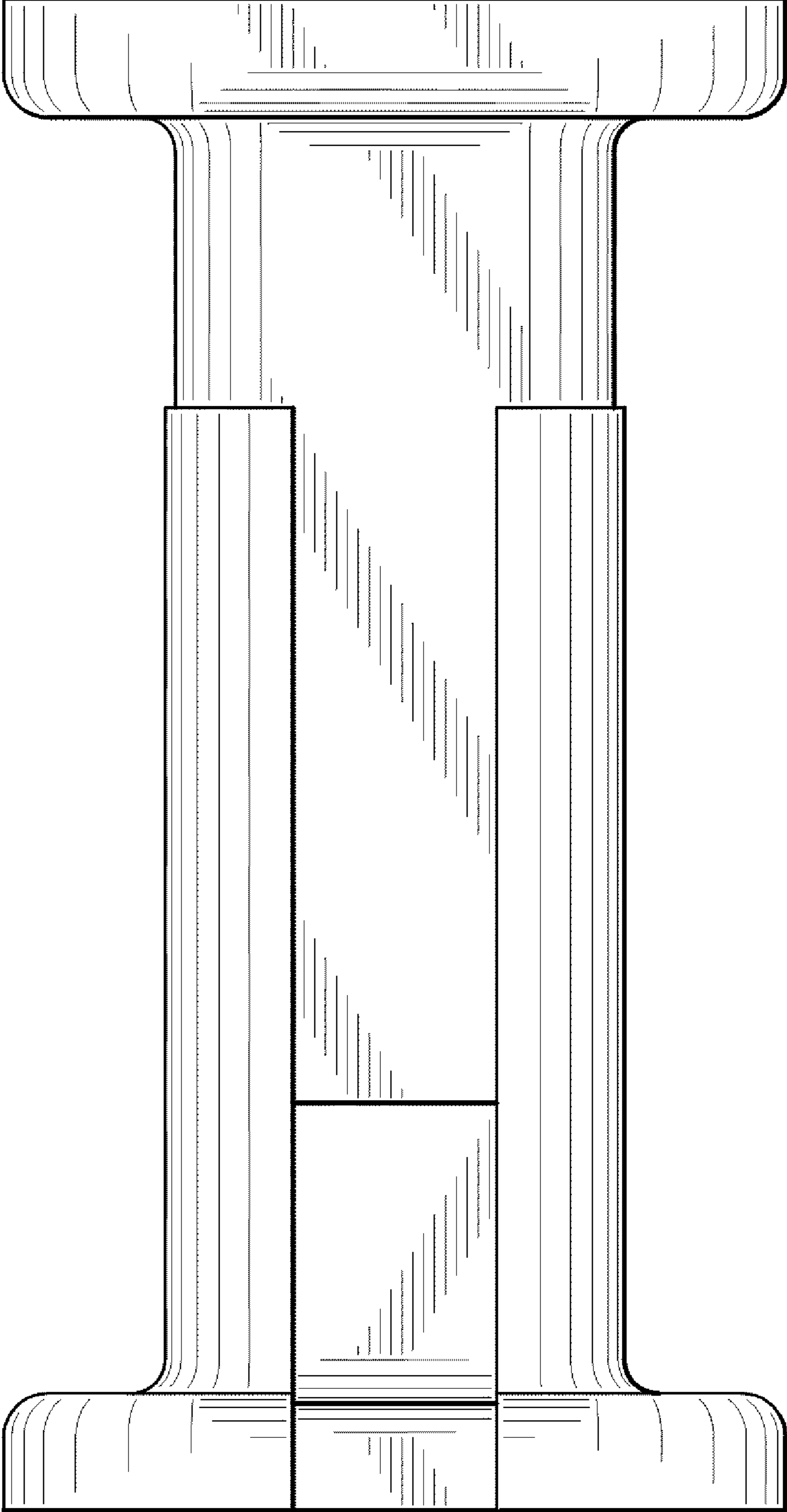


FIG. 4

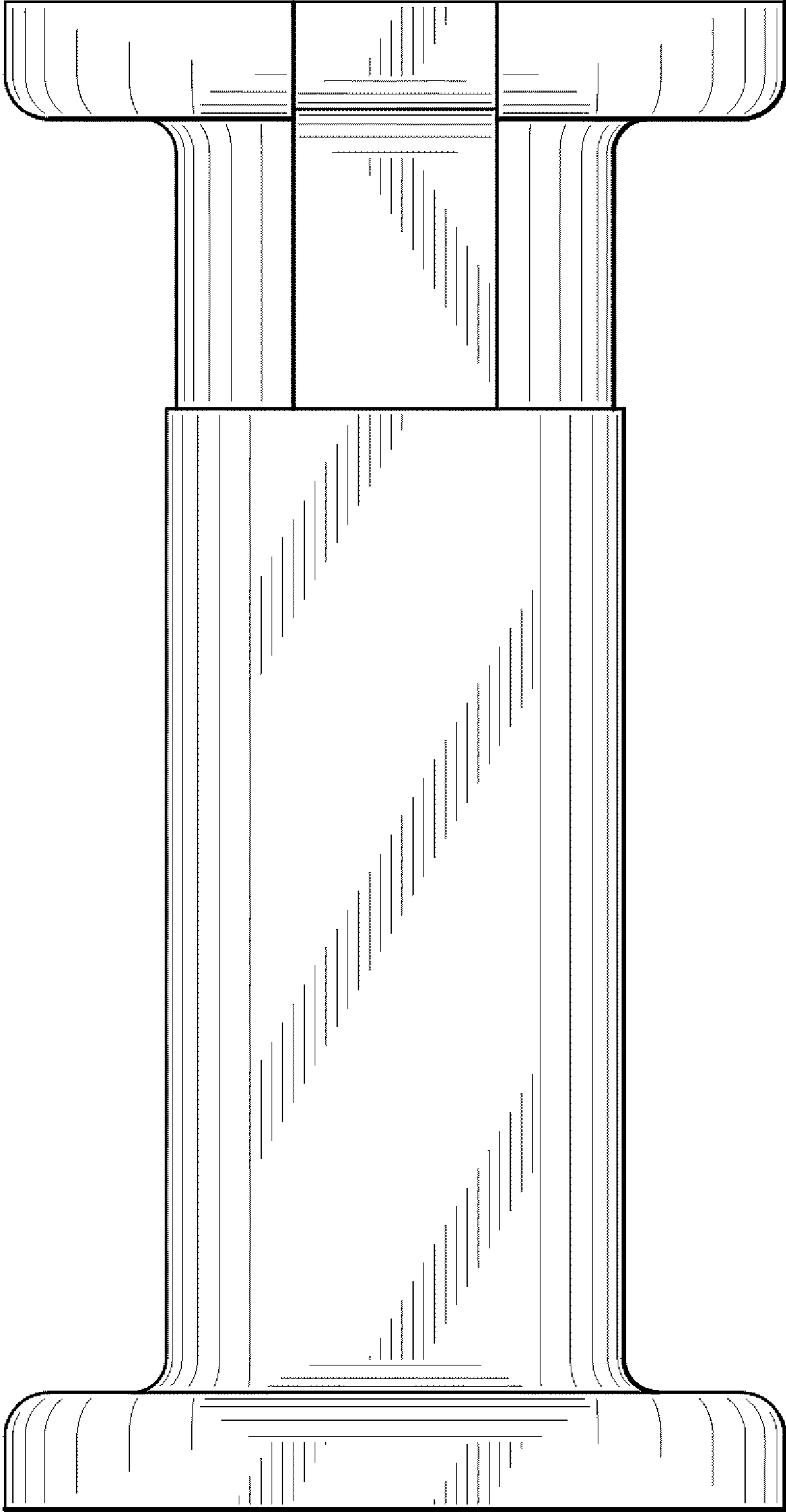


FIG. 5

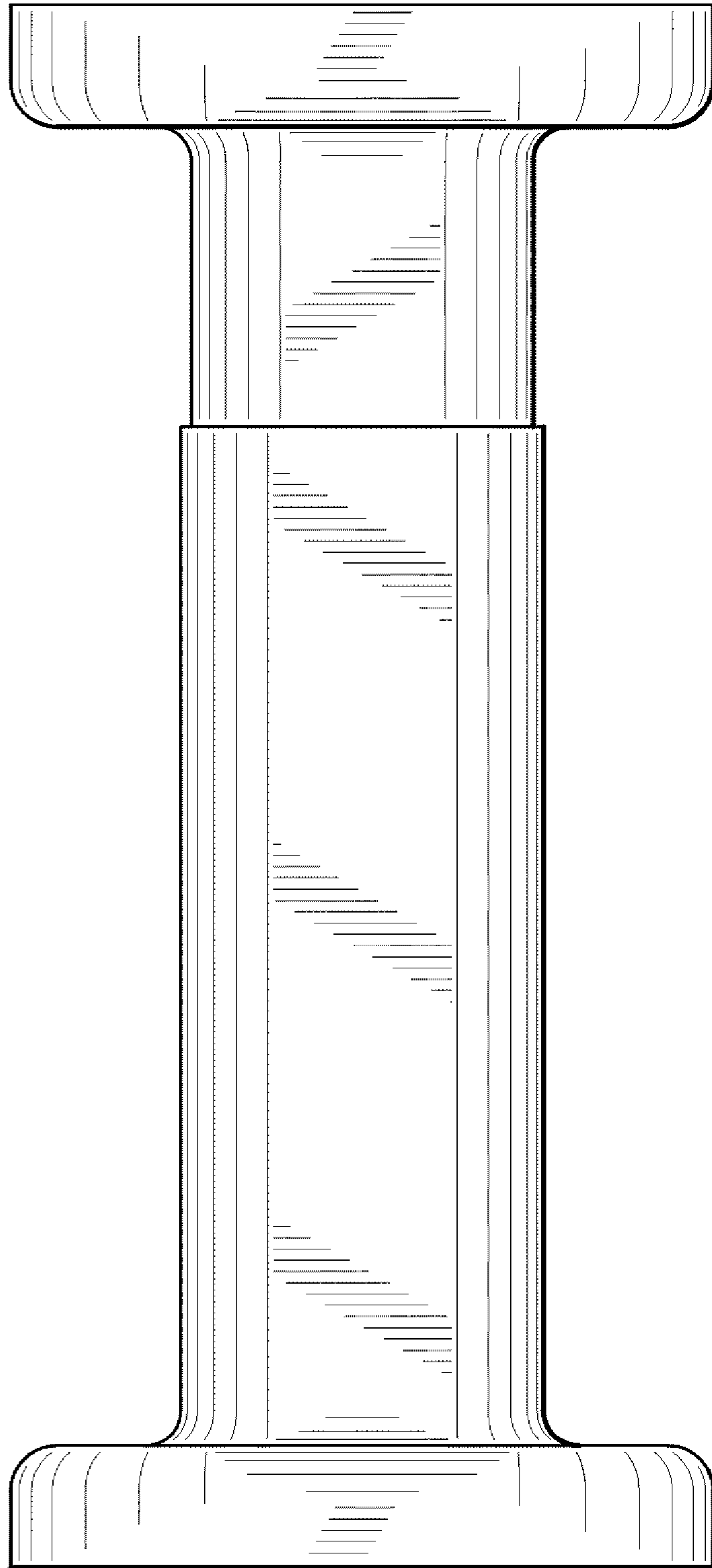


FIG. 6