



US00D623730S

(12) **United States Design Patent**
Snyder

(10) **Patent No.:** **US D623,730 S**
(45) **Date of Patent:** **** Sep. 14, 2010**

(54) **POKE THROUGH**

(75) Inventor: **Darryl L. Snyder**, Sarasota, FL (US)

(73) Assignee: **SGC Technologies, L.L.C.**, Canton, OH (US)

(**) Term: **14 Years**

(21) Appl. No.: **29/354,369**

(22) Filed: **Jan. 22, 2010**

(51) **LOC (9) Cl.** **23-04**

(52) **U.S. Cl.** **D23/393**

(58) **Field of Classification Search** D23/385-395,
D23/262, 266, 244, 397, 370-373, 365, 351,
D23/354, 399-403; 454/309, 275-277, 284,
454/287-291; 174/360, 135, 483, 484, DIG. 8;
52/220.5, 220.8; 285/363, 298, 302, 330;
405/119

See application file for complete search history.

(56) **References Cited**

U.S. PATENT DOCUMENTS

- 343,025 A 6/1886 Gordon et al.
- 403,564 A 5/1889 Sullivan
- 641,580 A 1/1900 Cummins
- 1,776,656 A 9/1930 Frederickson
- 1,992,574 A 2/1935 Jenkins
- 2,321,415 A * 6/1943 Peltz et al. 52/220.8
- D214,501 S * 6/1969 Ecklund D23/393
- 3,460,322 A 8/1969 Rivers et al.
- 3,740,934 A 6/1973 Shuler
- 4,020,875 A 5/1977 Akiba
- 4,174,126 A 11/1979 Hauff
- D264,116 S * 4/1982 Soderstrom D23/266
- 4,429,497 A 2/1984 Dibernardi
- 4,467,914 A 8/1984 Trammel et al.
- 4,607,469 A 8/1986 Harrison
- 4,711,160 A 12/1987 Witten et al.
- 4,712,342 A 12/1987 Legerius et al.
- 4,765,375 A 8/1988 Nakajima
- 4,773,197 A 9/1988 Sullivan
- 4,817,348 A 4/1989 Wydra

- 4,858,520 A 8/1989 Prochnow et al.
- 4,967,524 A 11/1990 Hull et al.
- 5,393,930 A 2/1995 Wuertz
- 5,421,775 A 6/1995 Honda
- D380,813 S * 7/1997 Motz et al. D23/262
- 5,729,938 A 3/1998 Tobias
- D394,901 S 6/1998 Governale et al.

(Continued)

FOREIGN PATENT DOCUMENTS

IT 295401 10/1936

Primary Examiner—T. Chase Nelson
Assistant Examiner—David G Muller
(74) *Attorney, Agent, or Firm*—Zollinger & Burleson Ltd.

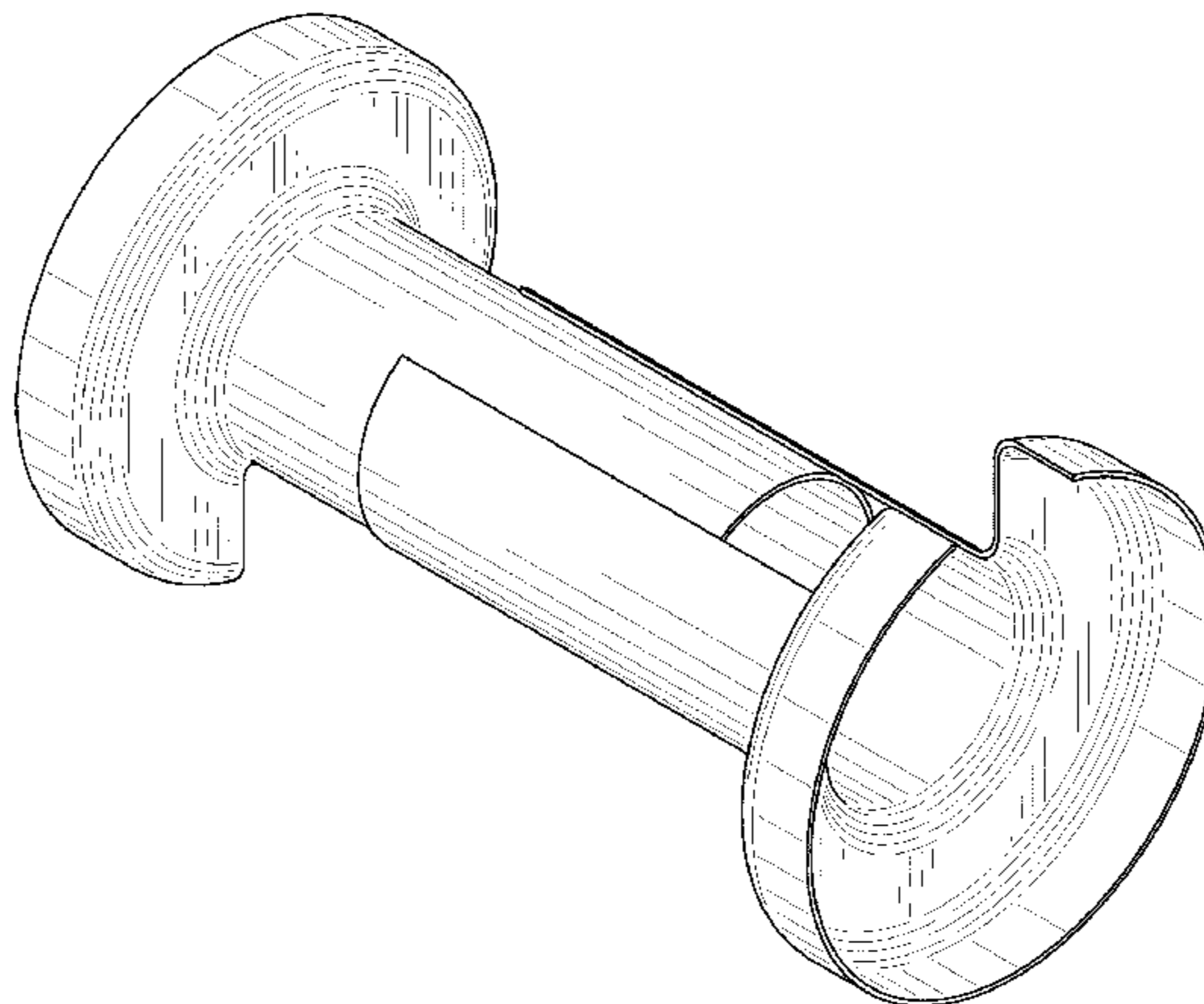
(57) **CLAIM**

The ornamental design for the poke through, as shown and described.

DESCRIPTION

FIG. 1 is a perspective view of a poke through showing my new design;
FIG. 2 is a front elevation view of FIG. 1;
FIG. 3 is a rear elevation view of FIG. 1;
FIG. 4 is a top plan view of FIG. 1;
FIG. 5 is a bottom plan view of FIG. 1; and,
FIG. 6 is a left side elevation view of FIG. 1; the right side elevation view being a mirror image thereof.

1 Claim, 5 Drawing Sheets



US D623,730 S

Page 2

U.S. PATENT DOCUMENTS

5,813,706 A	9/1998	Travis	D495,048 S	8/2004	Snyder
6,024,127 A	2/2000	Johnson	D503,791 S	4/2005	Snyder
6,125,593 A	10/2000	Randolph et al.	D503,792 S	4/2005	Snyder
6,280,117 B1 *	8/2001	Obermeyer et al. 405/119	D503,793 S	4/2005	Snyder
6,353,180 B1	3/2002	DeBartolo et al.	6,969,799 B2	11/2005	Snyder
6,470,635 B2	10/2002	Cornwall	D513,072 S	12/2005	Berg
D467,648 S *	12/2002	Delva D23/268	6,998,530 B2	2/2006	Snyder
6,495,753 B1	12/2002	Goodsell et al.	D524,427 S *	7/2006	Wilk et al. D23/262
6,502,364 B2 *	1/2003	Richardson 52/220.8	D541,405 S	4/2007	Snyder
6,518,498 B1	2/2003	Bonilla et al.	D565,707 S *	4/2008	Brockington et al. D23/262
6,583,357 B2	6/2003	Rubenstein	D601,180 S *	9/2009	Takeda D23/371
D483,095 S *	12/2003	Snyder et al. D23/262	D604,828 S *	11/2009	Krohmer et al. D23/393
D494,266 S	8/2004	Snyder	D612,925 S *	3/2010	Kameyama et al. D23/393
			2003/0009961 A1	1/2003	Radke et al.

* cited by examiner

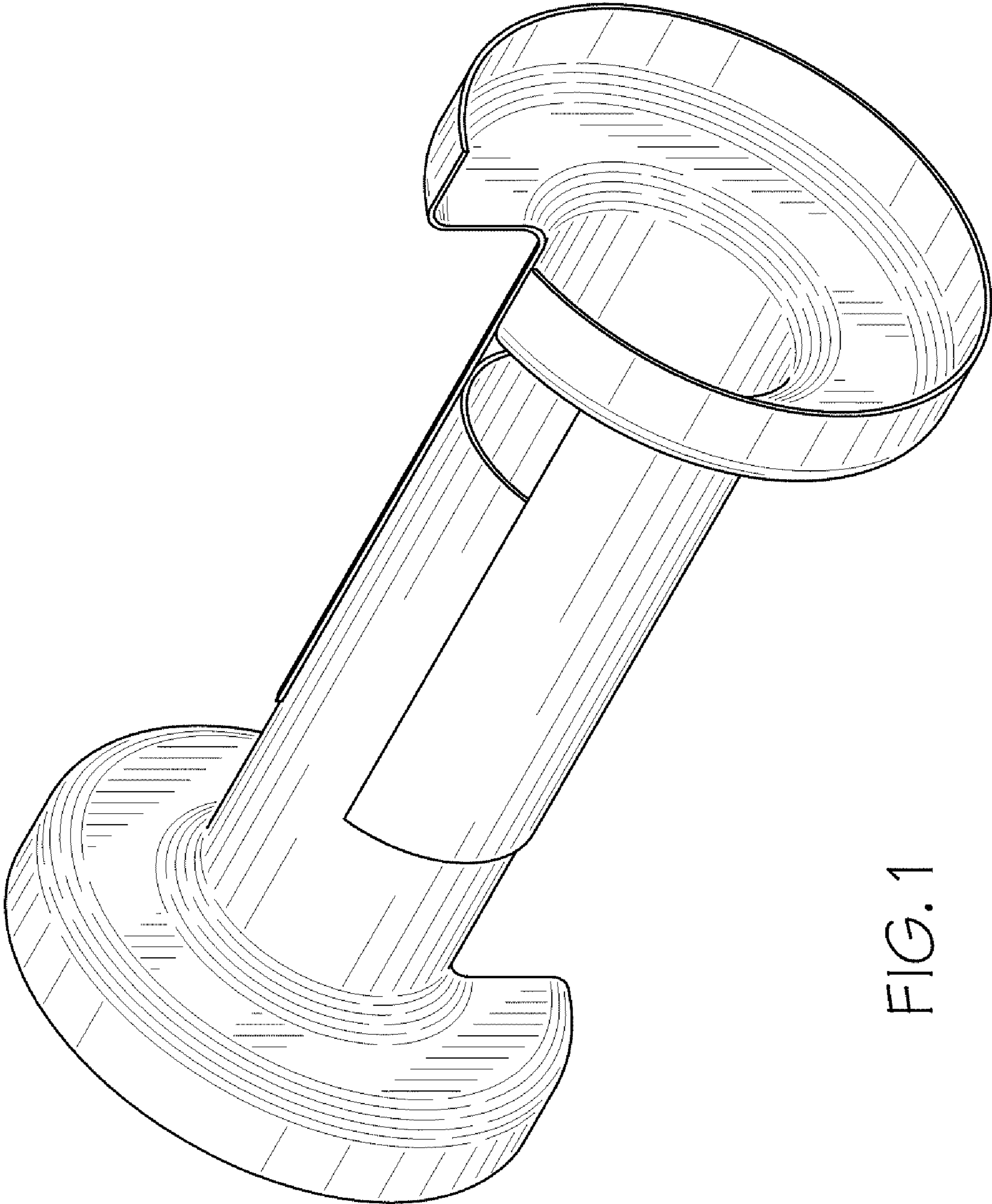


FIG. 1

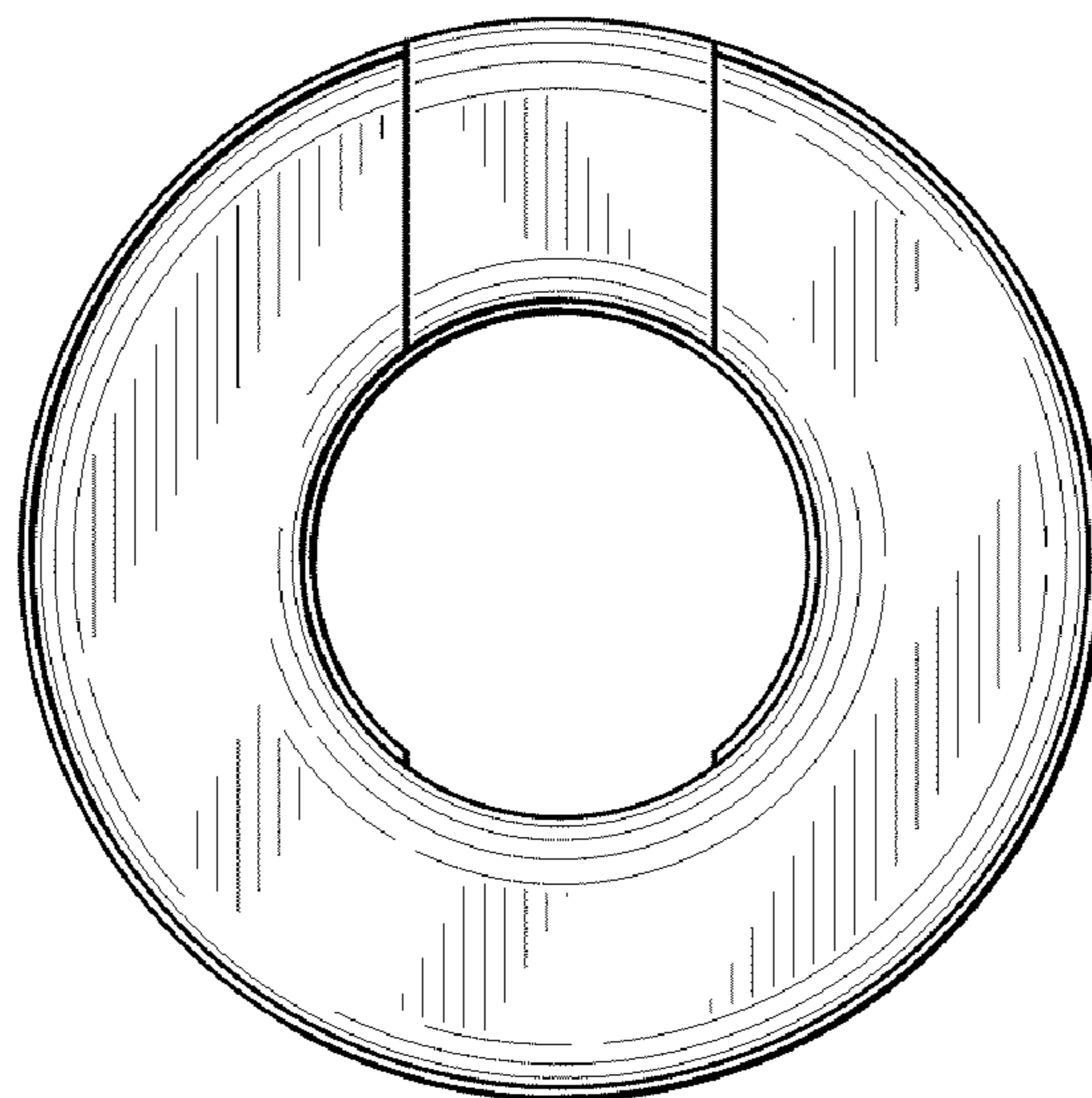


FIG. 2

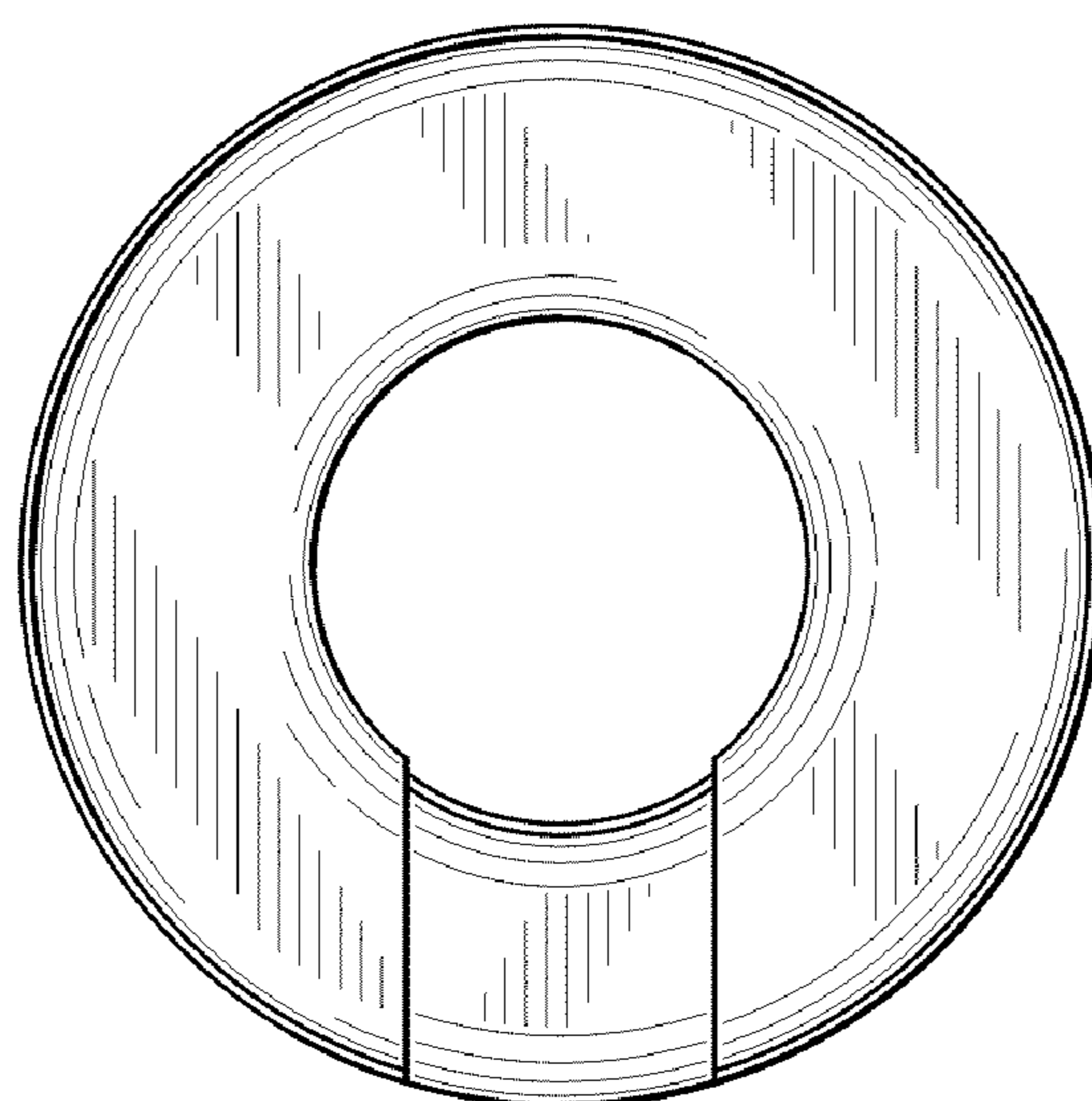


FIG. 3

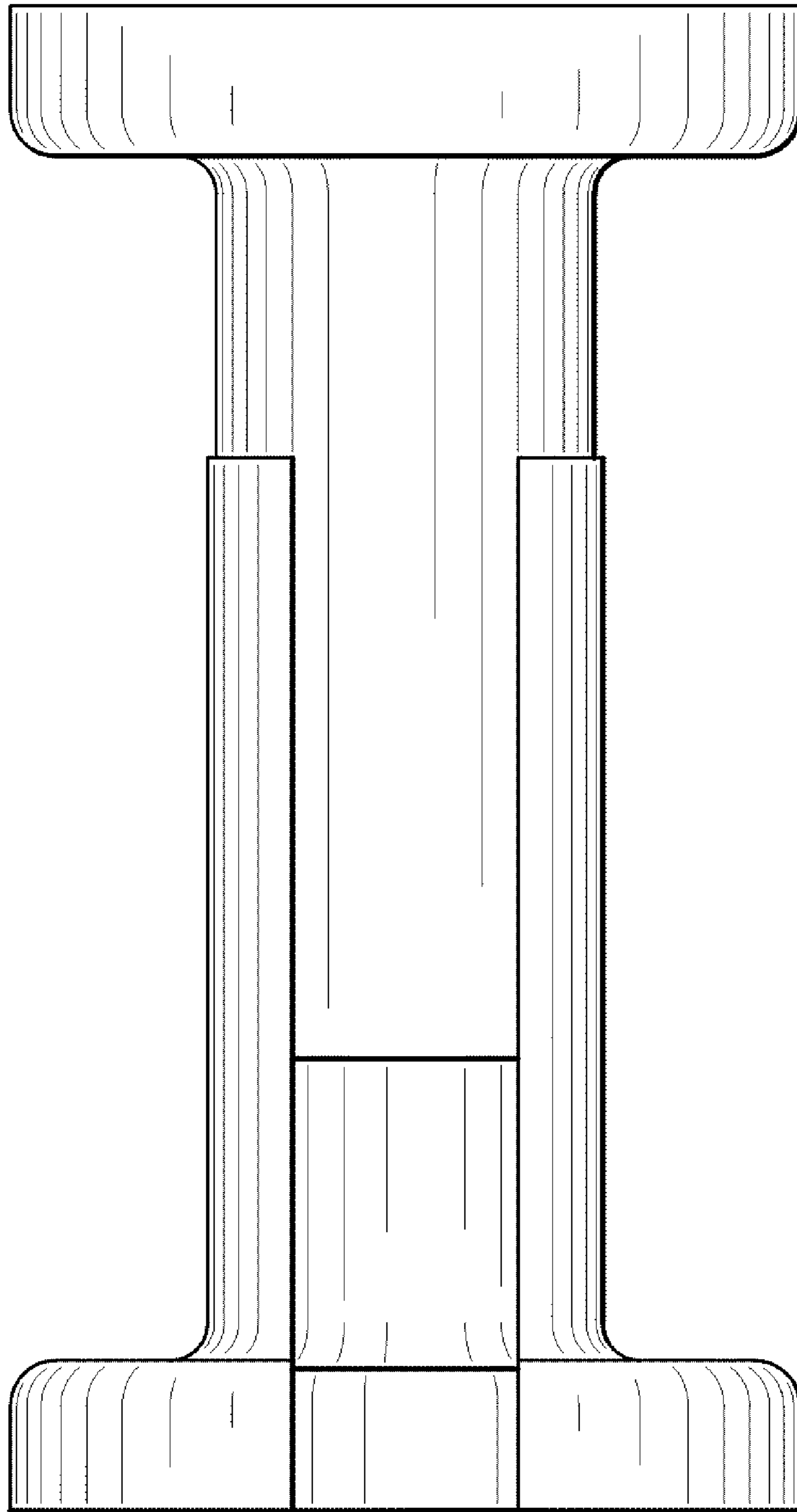


FIG. 4

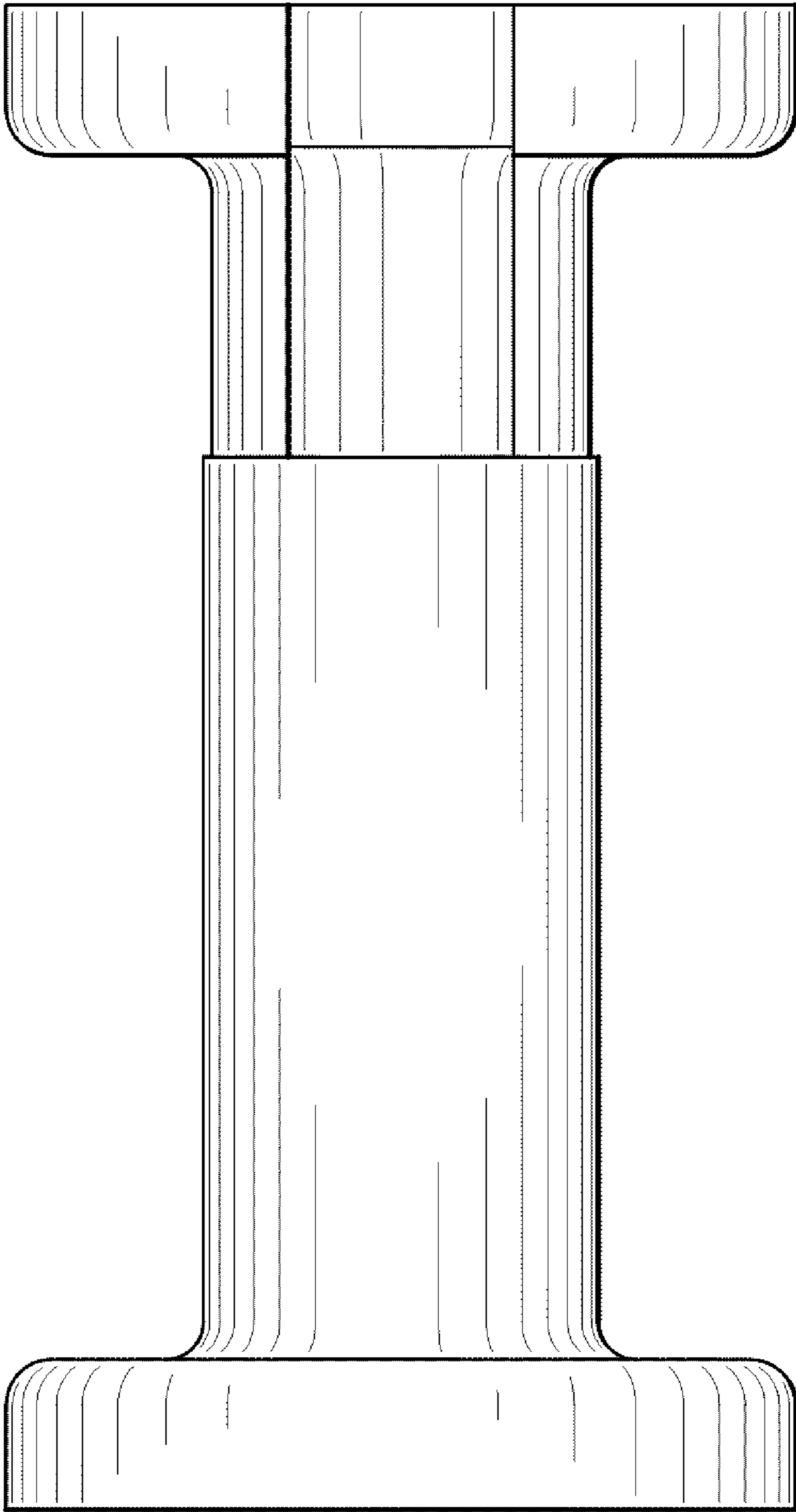


FIG. 5

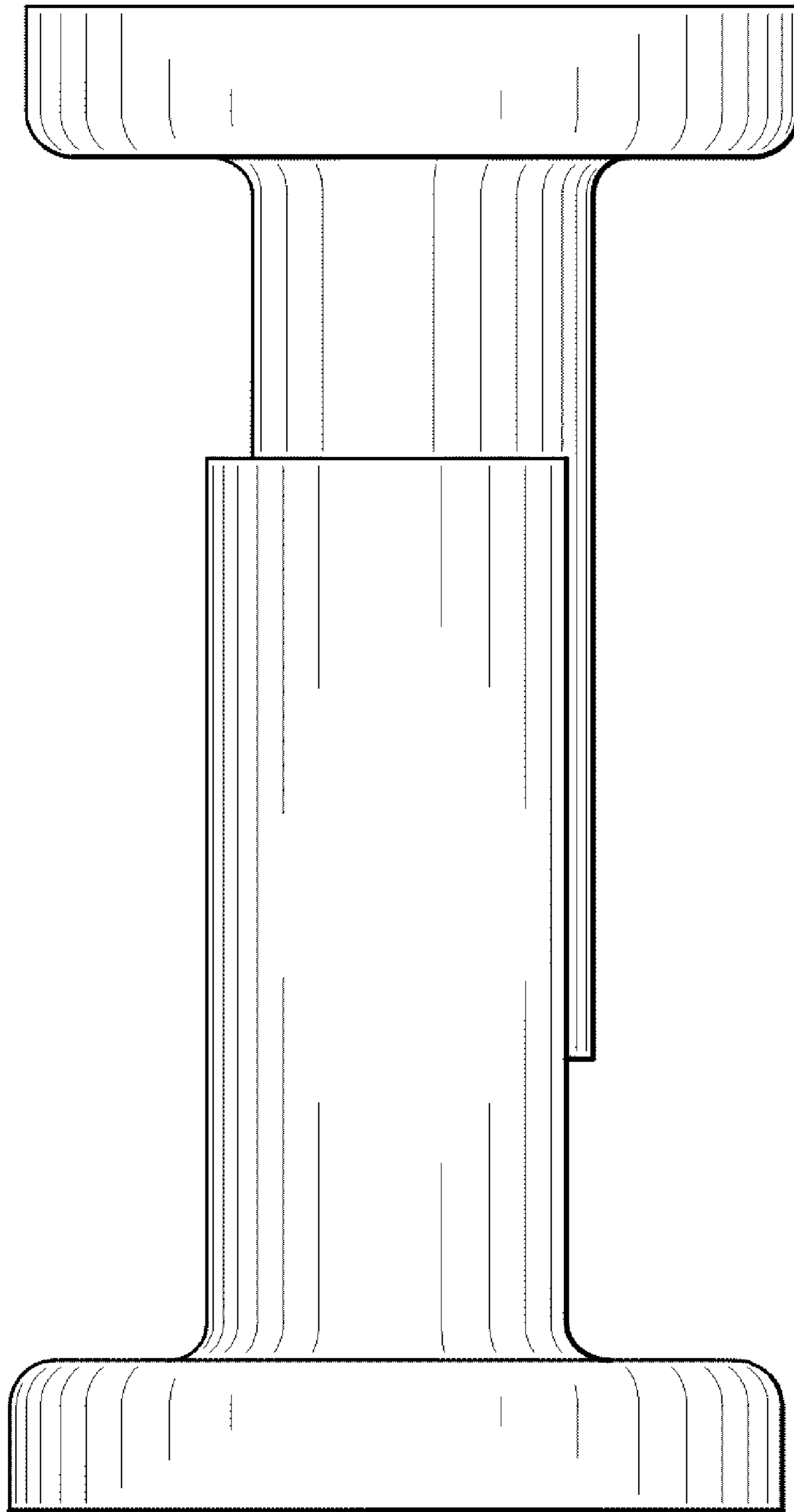


FIG. 6