



US00D623727S

(12) **United States Design Patent**
Mjelde et al.

(10) **Patent No.:** **US D623,727 S**
(45) **Date of Patent:** **** Sep. 14, 2010**

(54) **SWIMMING POOL DRAIN COVER**

(76) Inventors: **Olaf W. Mjelde**, 19 Sembrado, Rancho Santa Margarita, CA (US) 92688; **Wade H. Arens**, 19 Sembrado, Rancho Santa Margarita, CA (US) 92688

(**) Term: **14 Years**

(21) Appl. No.: **29/345,137**

(22) Filed: **Oct. 9, 2009**

(51) **LOC (9) Cl.** **23-01**

(52) **U.S. Cl.** **D23/261**

(58) **Field of Classification Search** D23/259-269;
4/309, 222.1, 286-294, 178

See application file for complete search history.

(56) **References Cited**

U.S. PATENT DOCUMENTS

D254,928 S *	5/1980	Mathis	D23/261
D351,220 S *	10/1994	Barnes	D23/260
D399,304 S *	10/1998	Mauk	D23/261
D412,971 S *	8/1999	Mauk	D23/261
D413,656 S *	9/1999	Mauk	D23/261
6,249,920 B1 *	6/2001	McRoberts	4/286

D466,198 S *	11/2002	Mullings	D23/261
6,588,029 B2 *	7/2003	Mullings	4/507
D563,528 S *	3/2008	Diamond et al.	D23/261
2008/0271232 A1 *	11/2008	Self	4/292

* cited by examiner

Primary Examiner—T. Chase Nelson

Assistant Examiner—Eric L Goodman

(74) *Attorney, Agent, or Firm*—Edwin Tarver; Lawson & Tarver, LLP

(57) **CLAIM**

We claim the ornamental design for a swimming pool drain cover, as shown and described.

DESCRIPTION

FIG. 1 is a top perspective view of the swimming pool drain cover according to the new design.

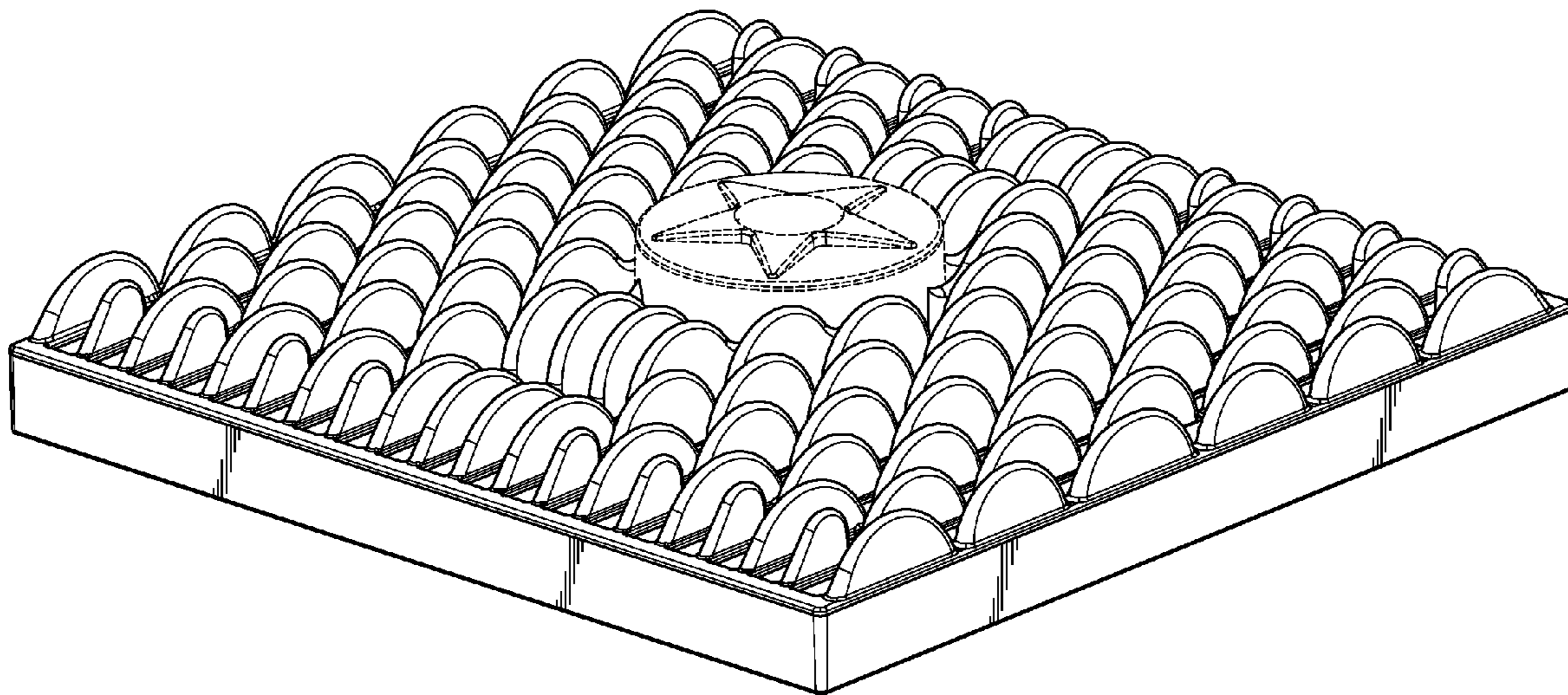
FIG. 2 is a top view thereof.

FIG. 3 is a side elevation view thereof; and,

FIG. 4 is a side elevation view thereof.

The broken lines are shown for illustrative purposes only and form no part of the claimed design.

1 Claim, 3 Drawing Sheets



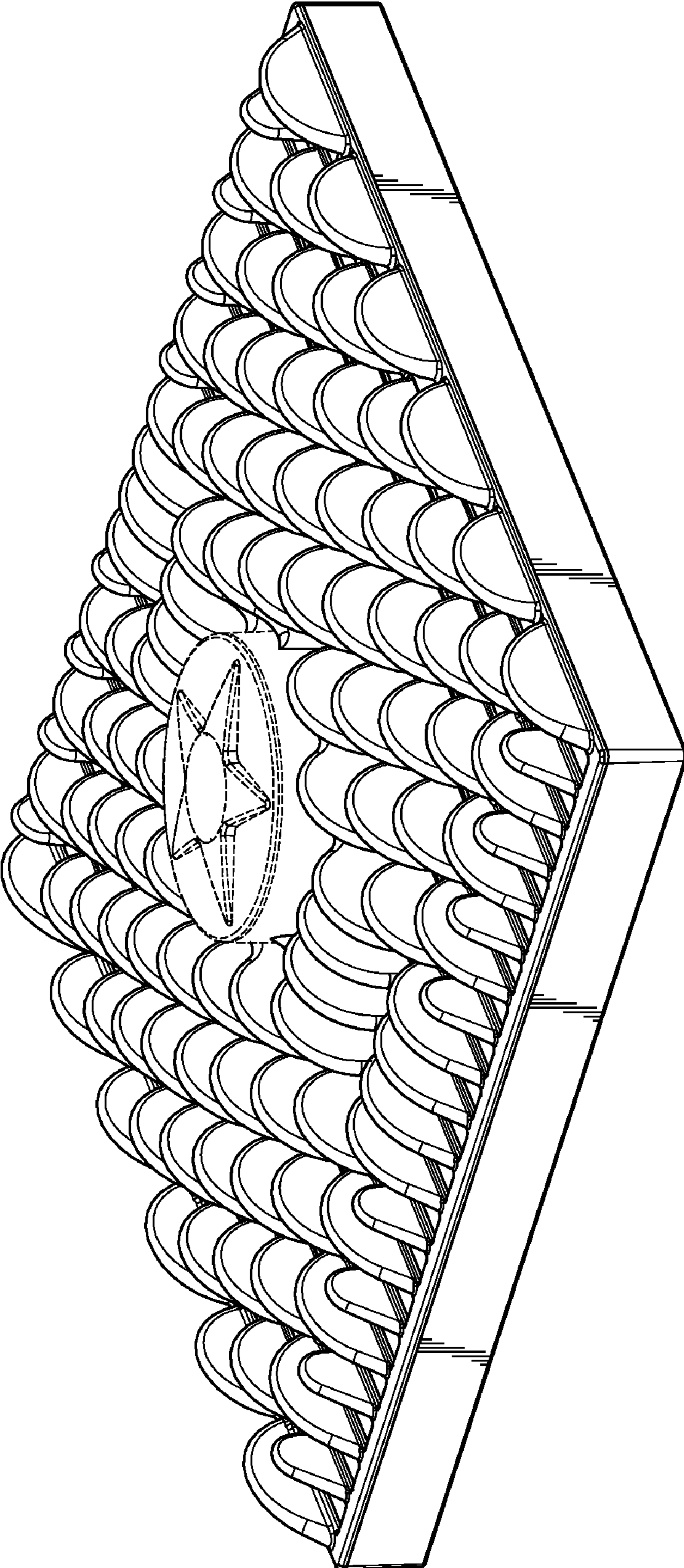


FIG. 1

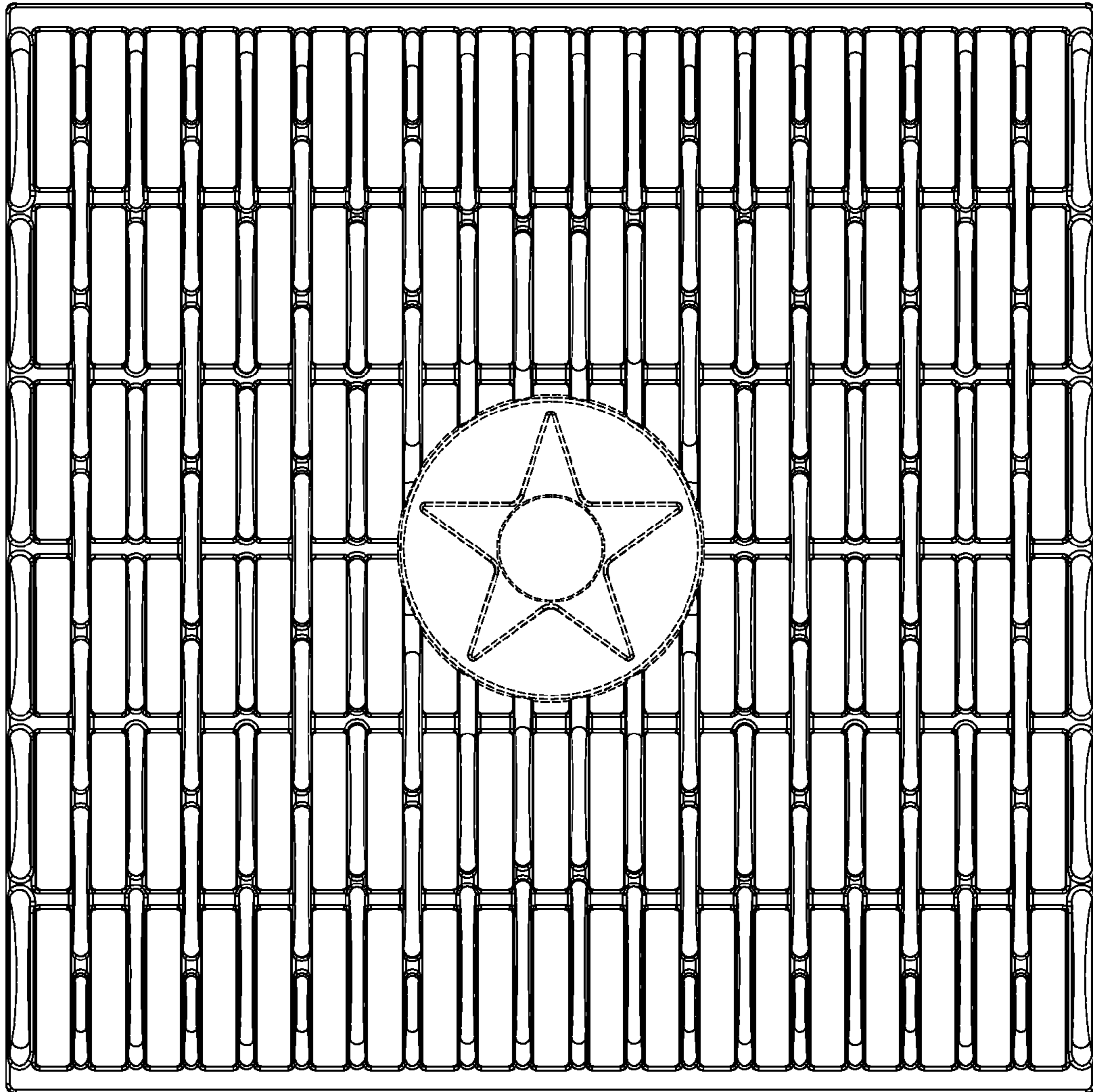


FIG. 2

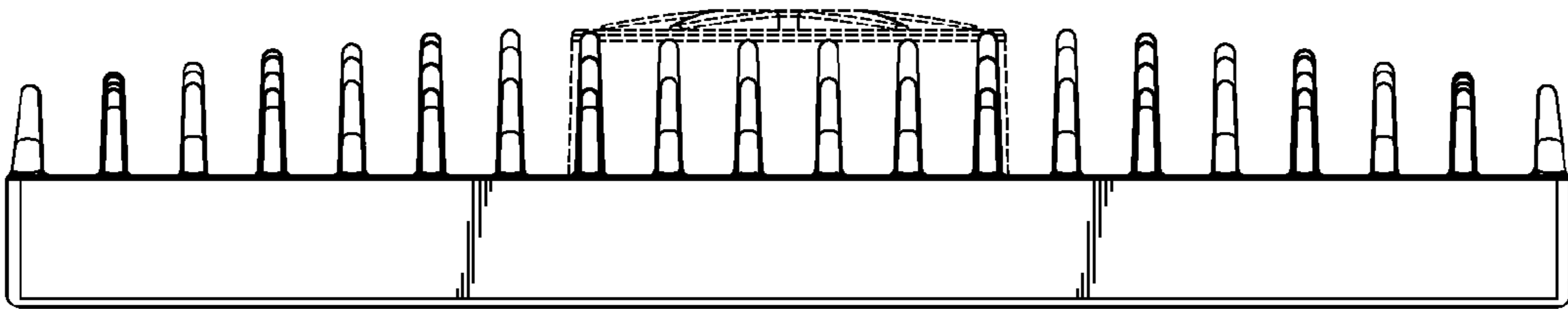


FIG. 3

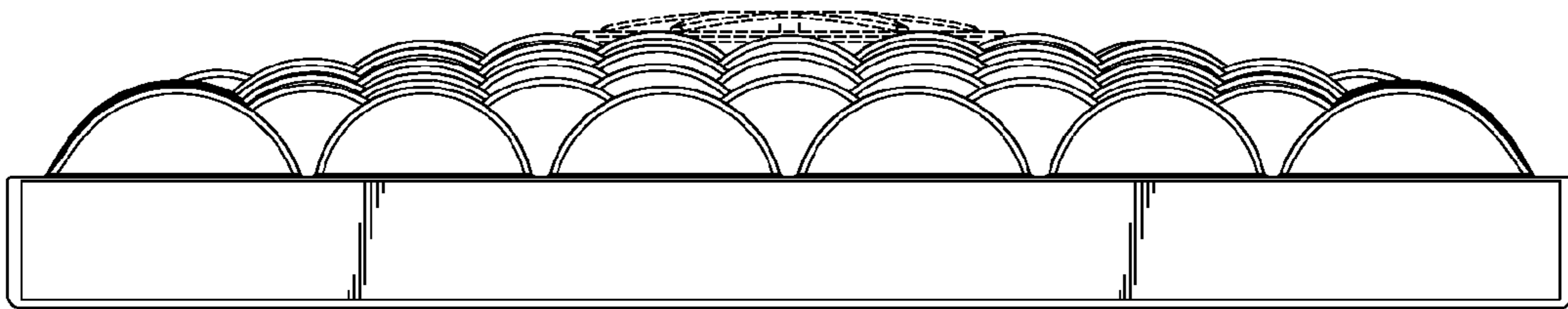


FIG. 4