



US00D623726S

(12) **United States Design Patent**
Shieh

(10) **Patent No.:** **US D623,726 S**

(45) **Date of Patent:** **** Sep. 14, 2010**

(54) **SPOUT**

(75) Inventor: **Ming-Dang Shieh**, Chang Hua Hsien
(TW)

(73) Assignee: **Horng Lai Industrial Co., Ltd.**, Chang
Hua Hsien (TW)

(**) Term: **14 Years**

(21) Appl. No.: **29/353,687**

(22) Filed: **Jan. 13, 2010**

(51) **LOC (9) Cl.** **23-01**

(52) **U.S. Cl.** **D23/255**

(58) **Field of Classification Search** D23/200,
D23/238-257; D6/512, 546, 550; D8/300,
D8/307-308, 310-312, 321; 4/675-678;
137/801; 16/110.1, 441

See application file for complete search history.

(56) **References Cited**

U.S. PATENT DOCUMENTS

D342,308 S	*	12/1993	McKeone	D23/257
D346,013 S	*	4/1994	McKeone	D23/255
D352,547 S	*	11/1994	McKeone	D23/255
D488,539 S	*	4/2004	McKeone	D23/255
D518,153 S	*	3/2006	Theberge	D23/255
D520,607 S	*	5/2006	Koury et al.	D23/255

D566,245 S	*	4/2008	Dolan	D23/255
D579,089 S	*	10/2008	Dolan	D23/255
D581,498 S	*	11/2008	Dolan	D23/255
D604,808 S	*	11/2009	Williams	D23/255

* cited by examiner

Primary Examiner—T. Chase Nelson

Assistant Examiner—Mark Cavanna

(74) *Attorney, Agent, or Firm*—Alan Kamrath; Kamrath &
Associates PA

(57) **CLAIM**

The ornamental design for a spout, as shown and described.

DESCRIPTION

FIG. 1 is a perspective view of a spout showing my design;

FIG. 2 is a front elevational view thereof;

FIG. 3 is a rear elevational view thereof;

FIG. 4 is a left side elevational view thereof;

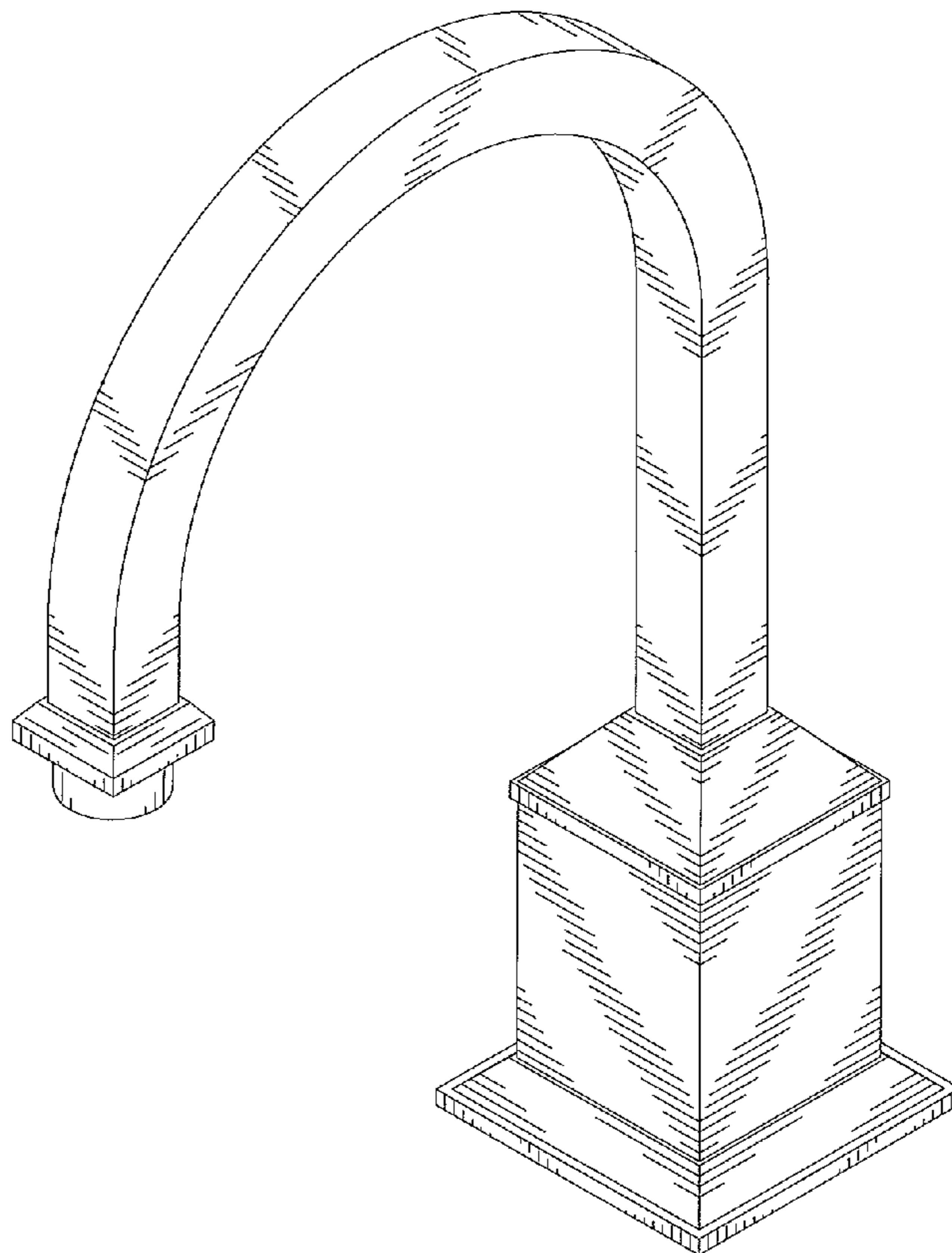
FIG. 5 is a right side elevational view thereof;

FIG. 6 is a top plan view thereof; and,

FIG. 7 is a bottom plan view thereof.

The broken lines shown are included for the purpose of illustrating portions of the spout that form no part of the claimed design.

1 Claim, 5 Drawing Sheets



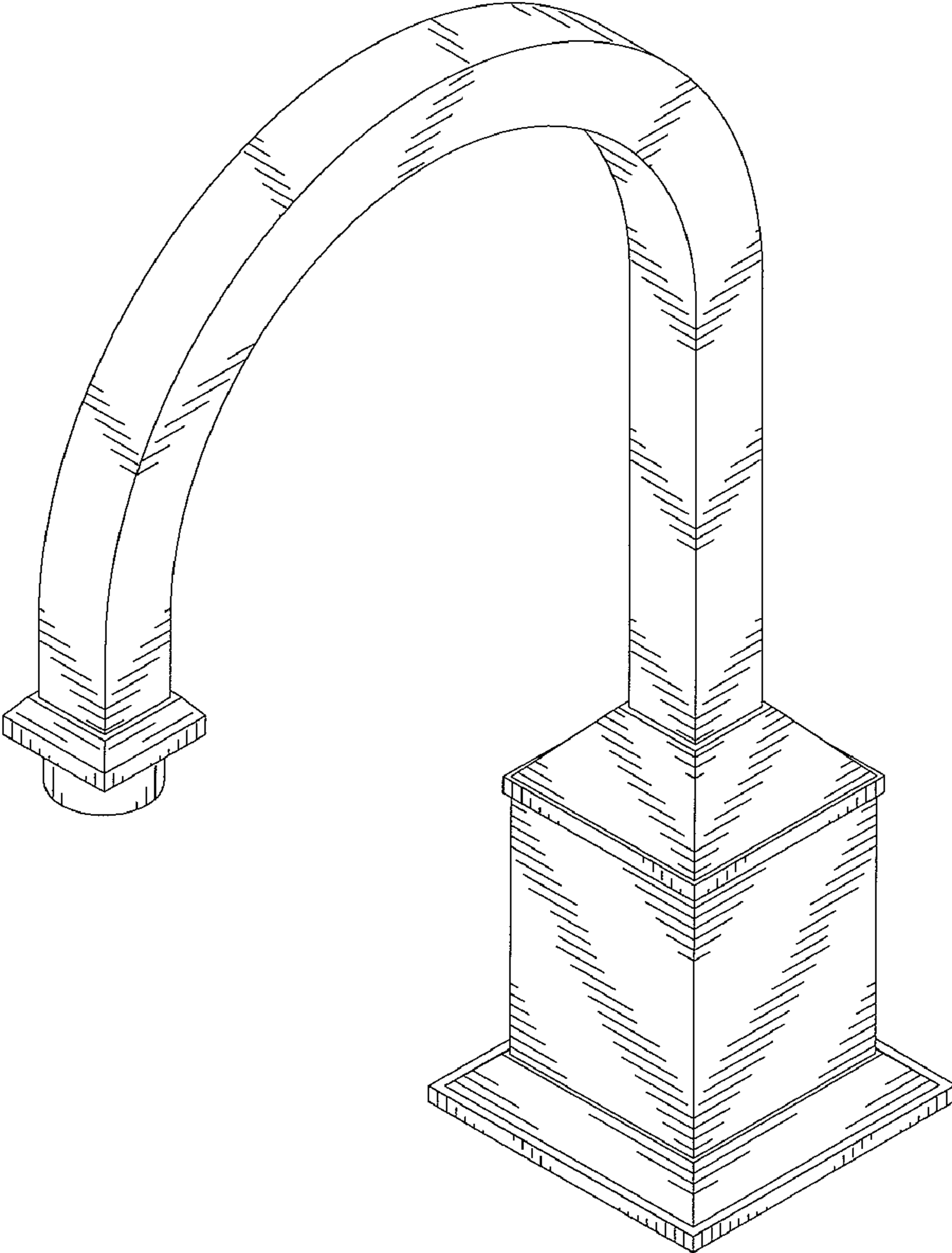


FIG. 1

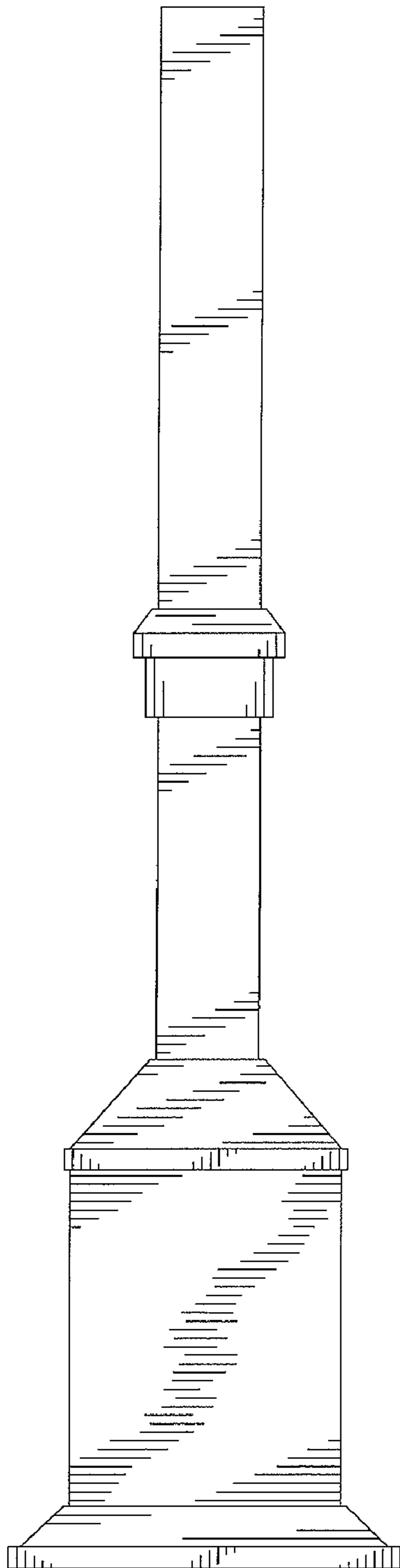


FIG. 2

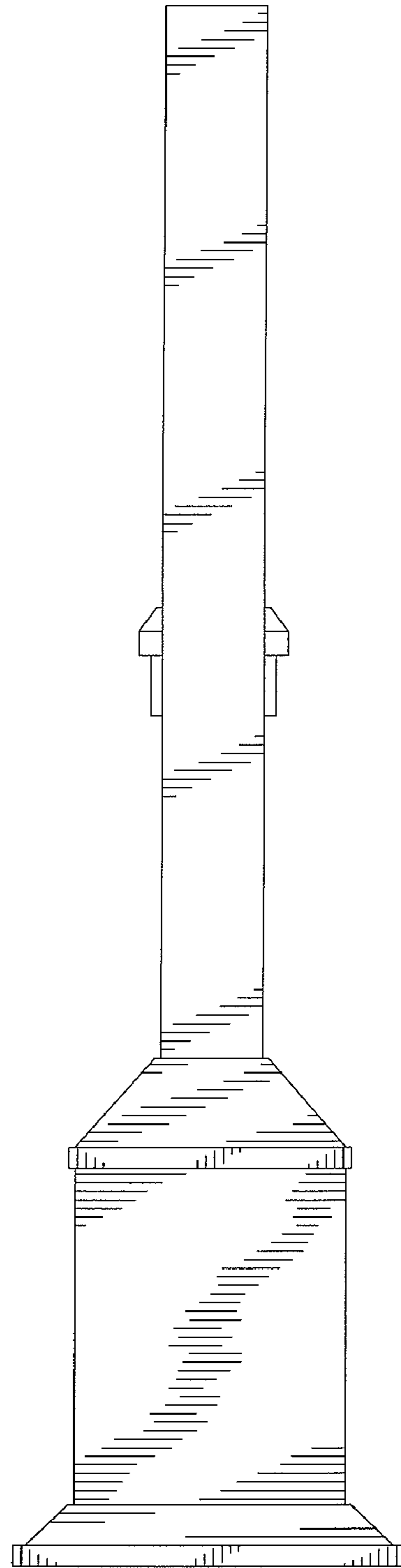


FIG. 3

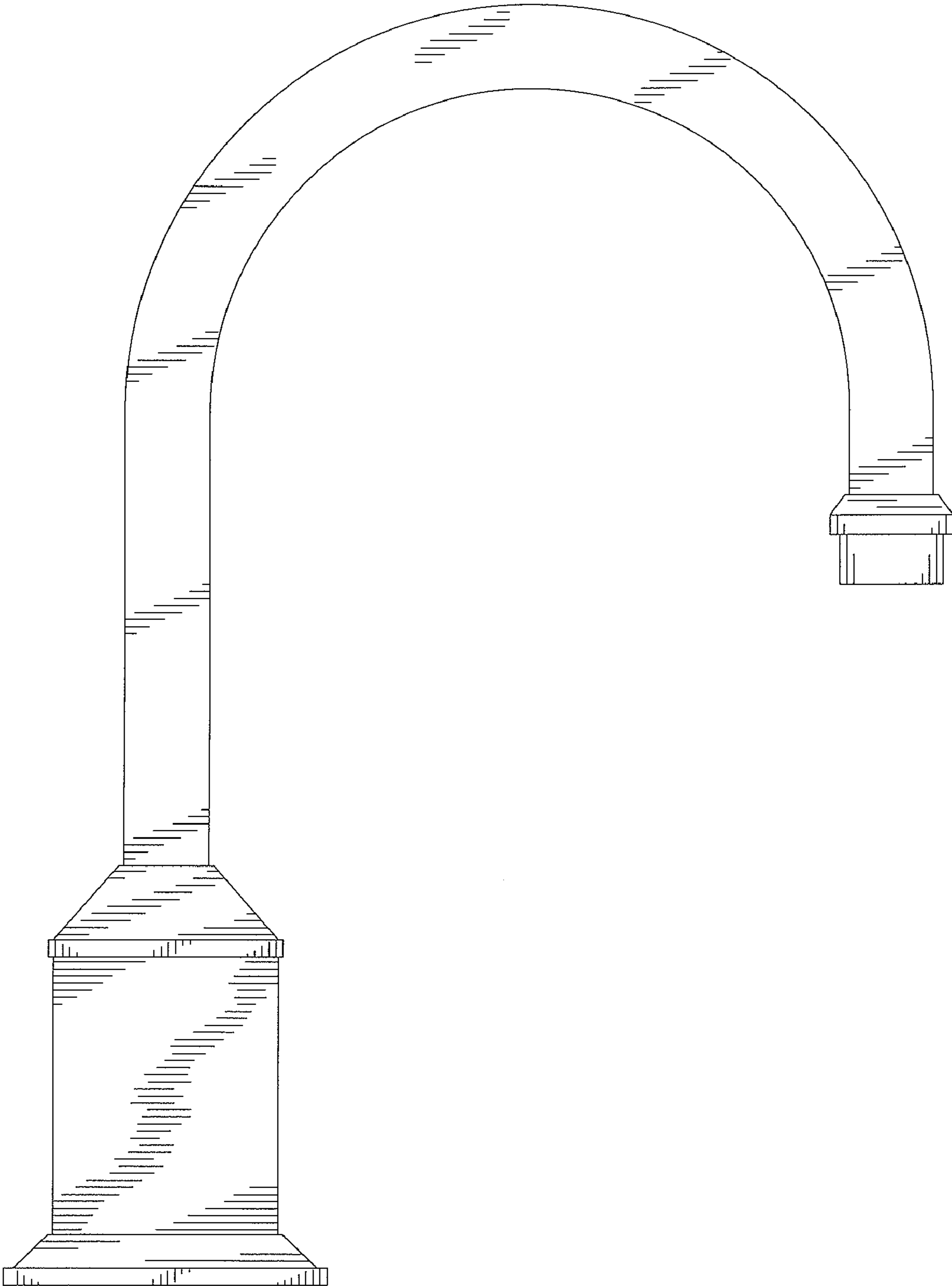


FIG. 4

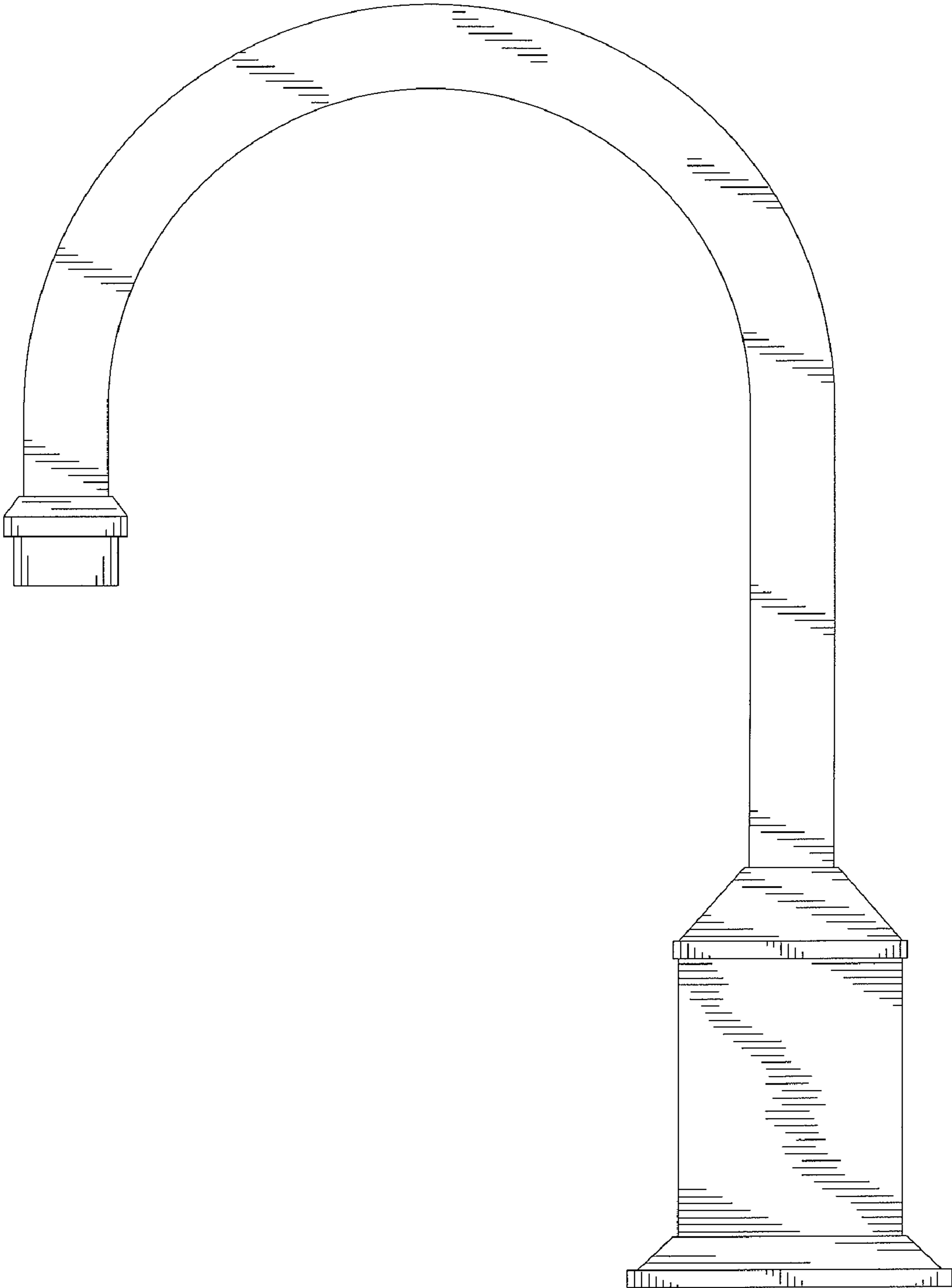


FIG. 5

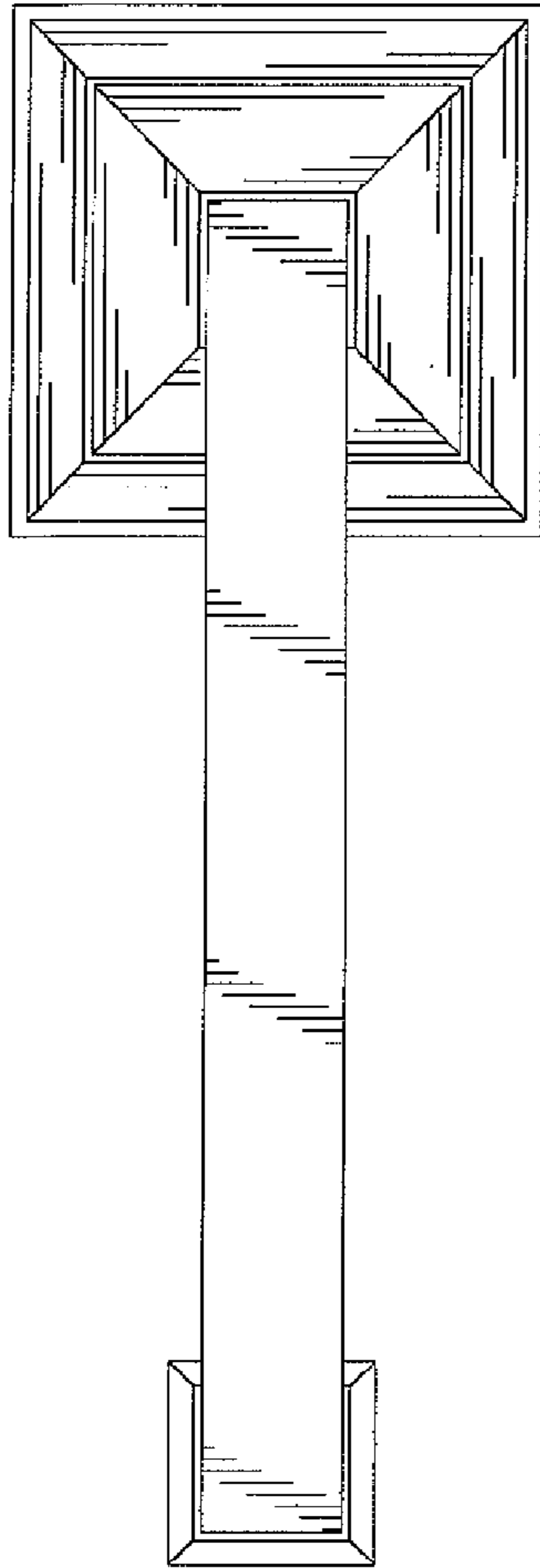


FIG. 6

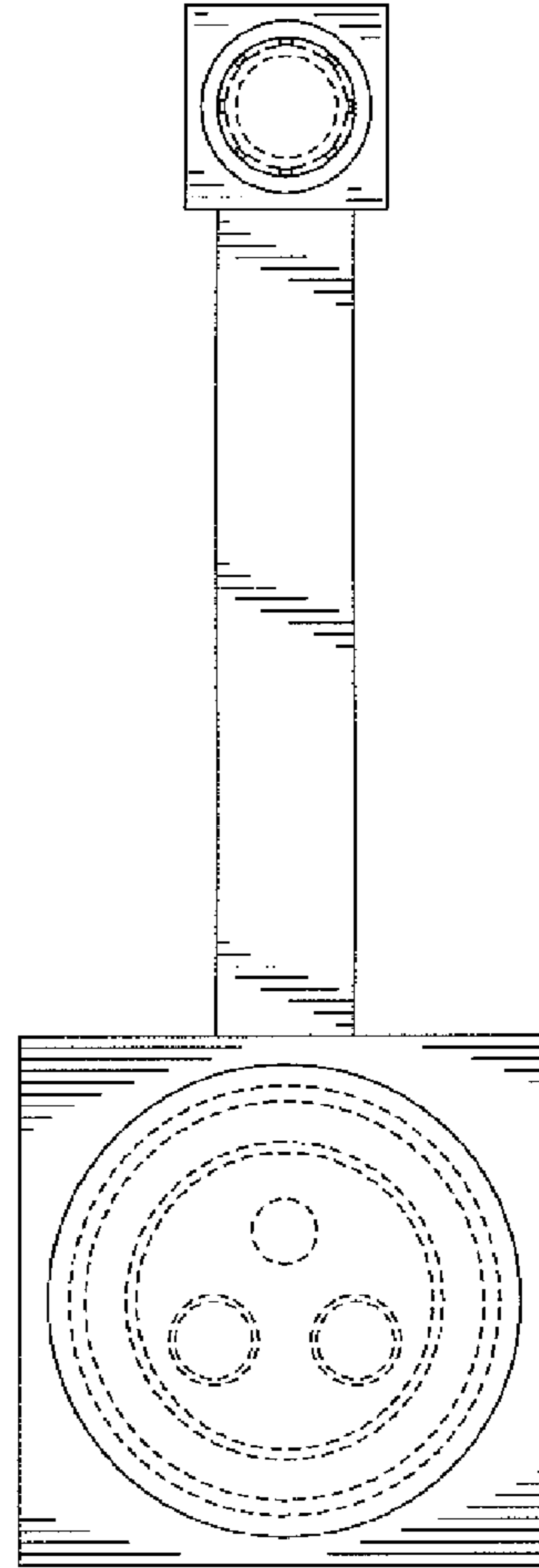


FIG. 7