



US00D623720S

(12) **United States Design Patent**  
**Brown et al.**

(10) **Patent No.:** **US D623,720 S**

(45) **Date of Patent:** **\*\* Sep. 14, 2010**

(54) **FUEL TANK**

(75) Inventors: **Christopher Brown**, Merritt Island, FL (US); **Marvin Peplow**, Bartlett, IL (US)

(73) Assignee: **Bluskies International**, Bartlett, IL (US)

(\*\*) Term: **14 Years**

(21) Appl. No.: **29/308,090**

(22) Filed: **May 27, 2008**

(51) **LOC (9) Cl.** ..... **23-01**

(52) **U.S. Cl.** ..... **D23/211.1**

(58) **Field of Classification Search** ..... D9/516,  
D9/523, 525–528, 531, 533; D23/211, 211.1;  
215/380, 382–385, 396, 398; 220/288, 573;  
D15/152

See application file for complete search history.

(56) **References Cited**

**U.S. PATENT DOCUMENTS**

D181,948 S \* 1/1958 Scanland ..... D9/528  
D294,332 S \* 2/1988 Harrison ..... D15/152

D310,170 S \* 8/1990 Bartz ..... D15/152

D351,394 S \* 10/1994 Morris ..... D15/152

D498,420 S \* 11/2004 Cadotte ..... D9/524

D520,367 S \* 5/2006 Morris ..... D9/527

\* cited by examiner

*Primary Examiner*—Shanda C Hill

(74) *Attorney, Agent, or Firm*—Clifford Kraft

(57) **CLAIM**

The ornamental design for a fuel tank, as shown and described.

**DESCRIPTION**

FIG. 1 is a top view of the fuel tank.

FIG. 2 is a left side view thereof.

FIG. 3 is a front view thereof.

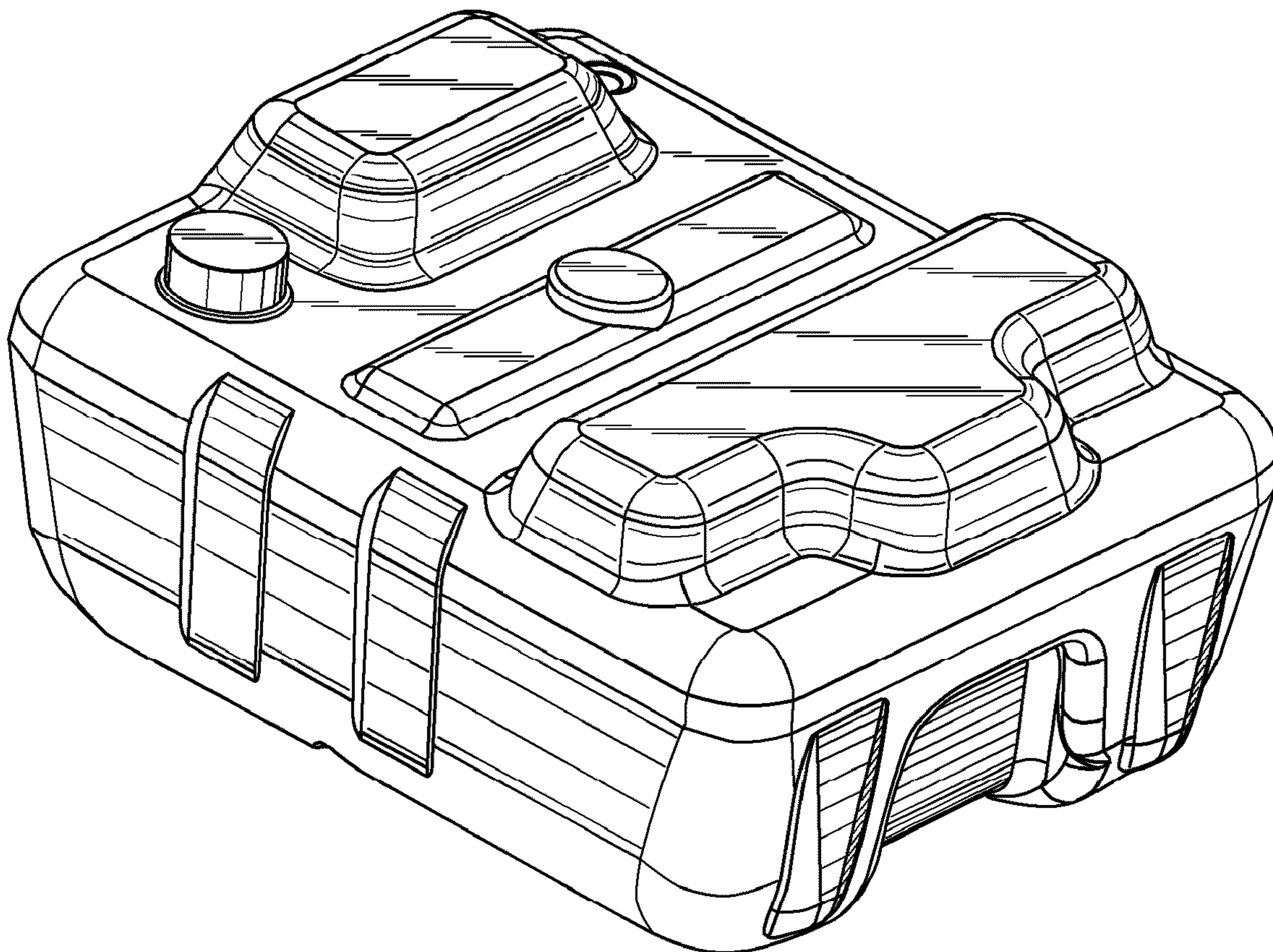
FIG. 4 is a bottom view thereof.

FIG. 5 is a back view thereof.

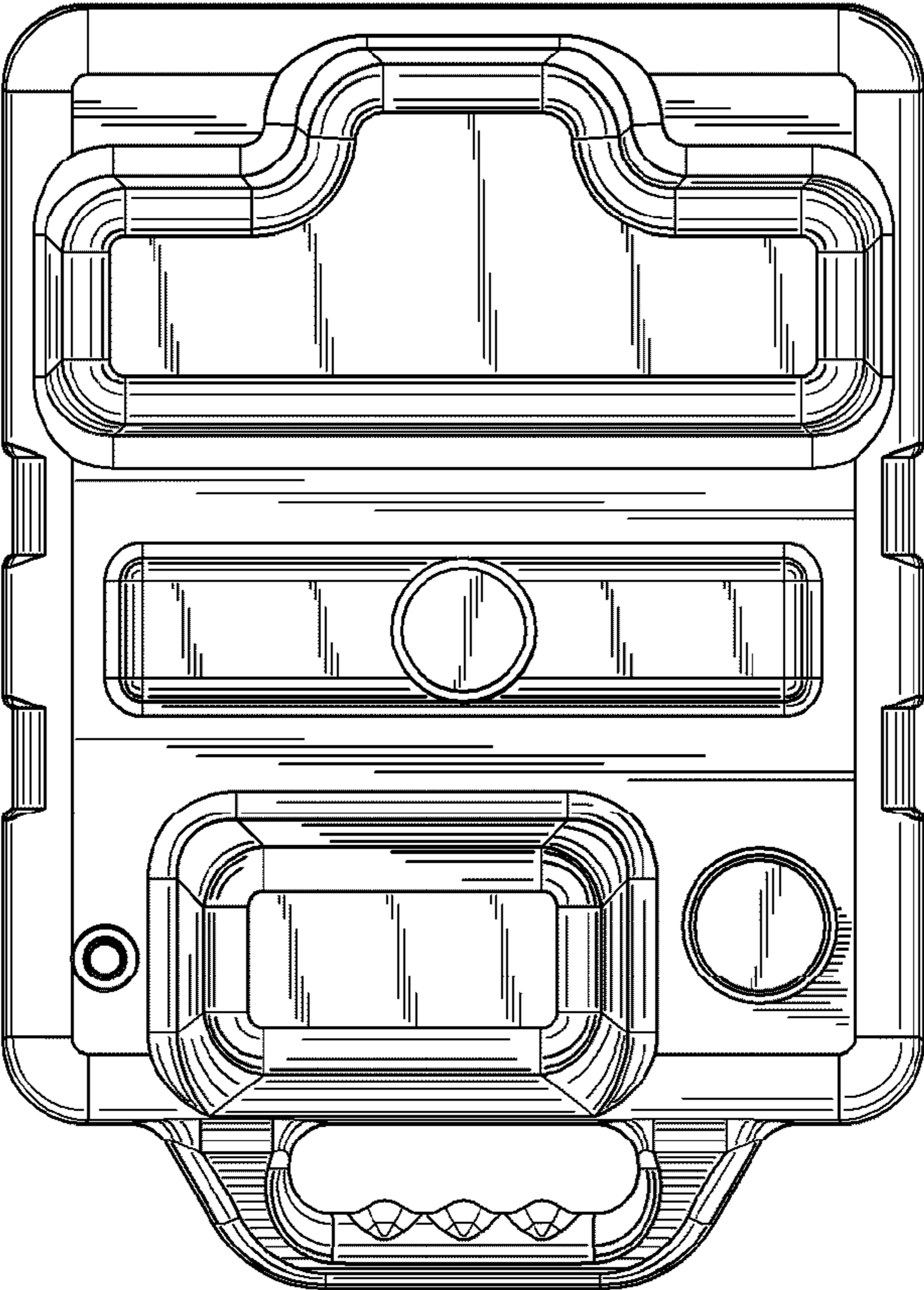
FIG. 6 is a right side view thereof; and,

FIG. 7 is a perspective view thereof.

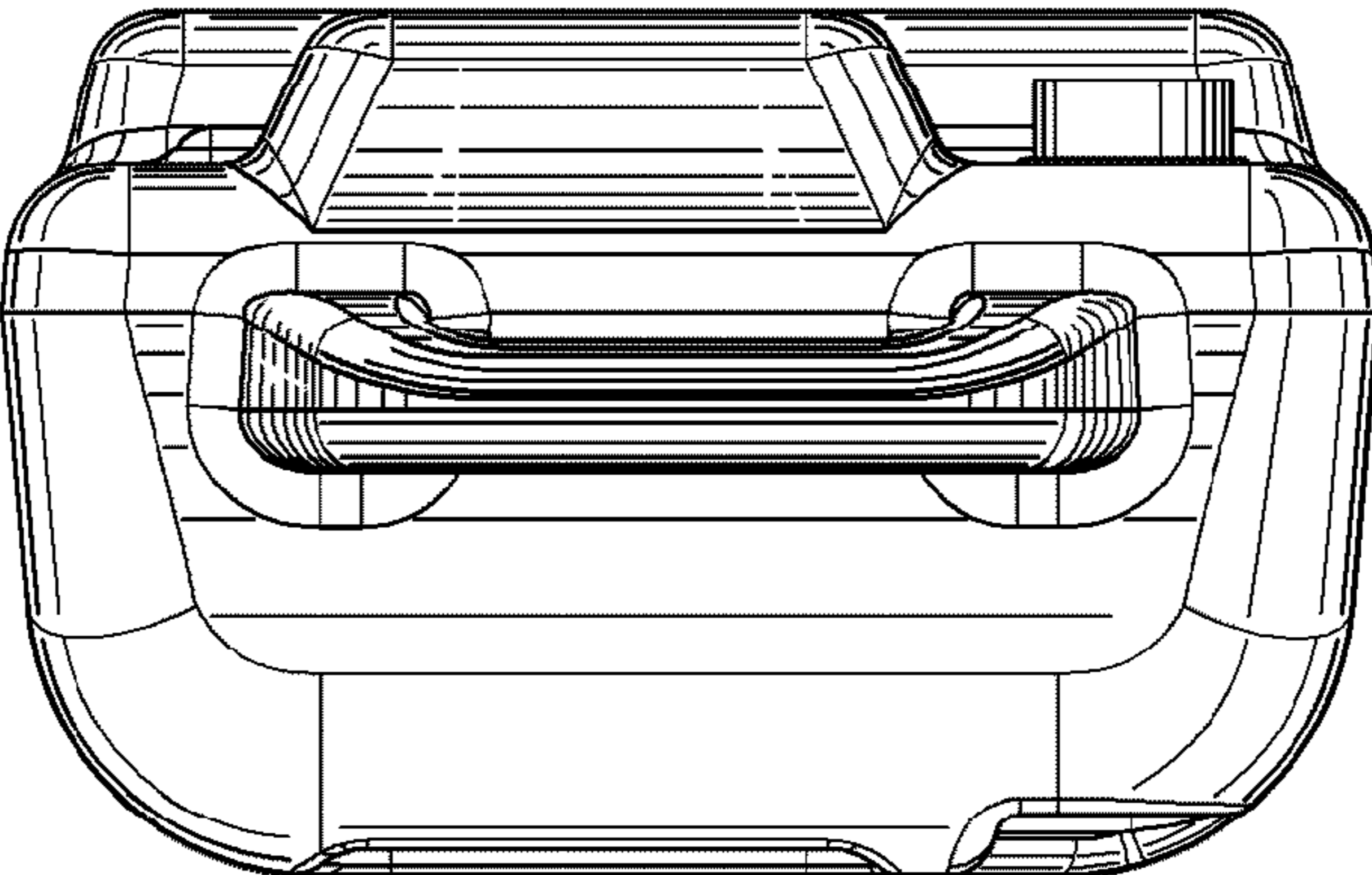
**1 Claim, 3 Drawing Sheets**



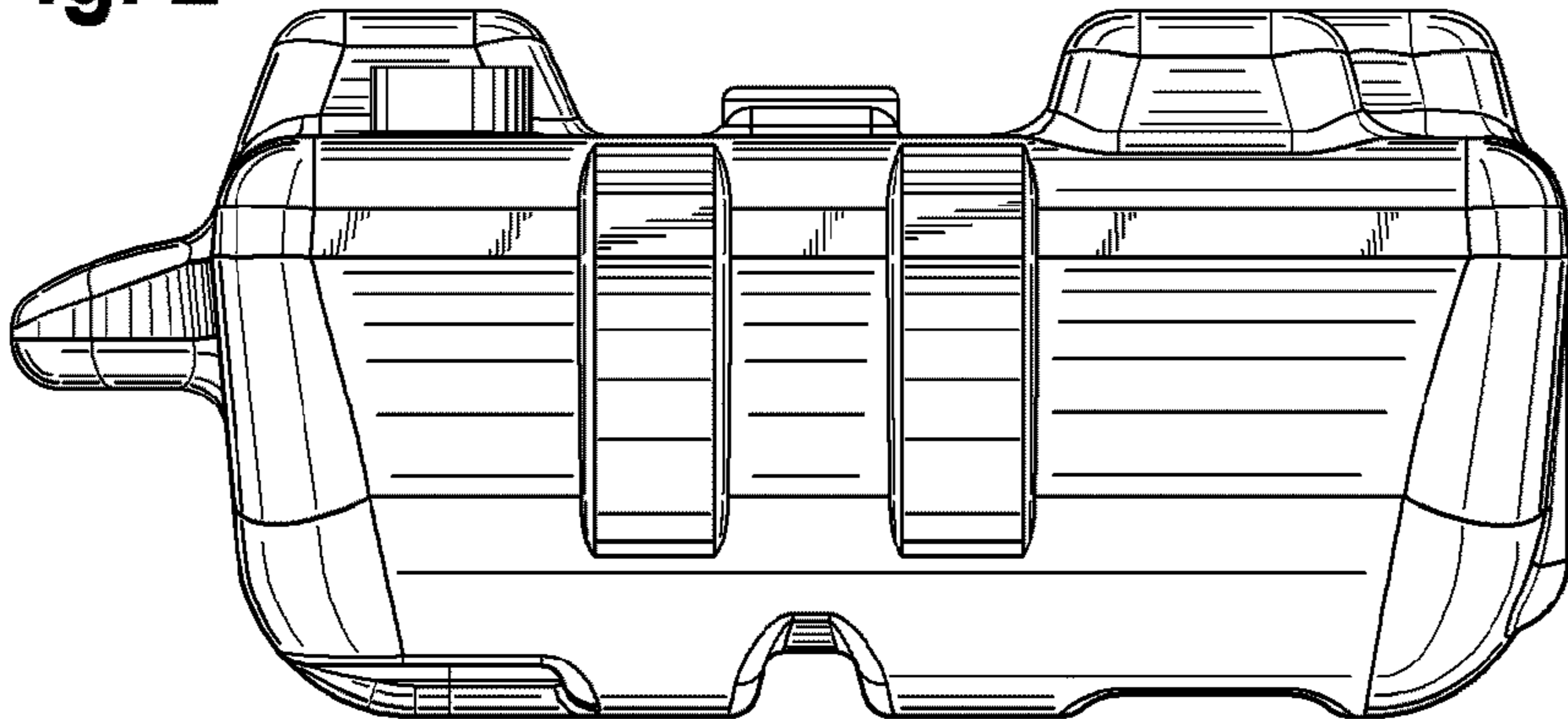
**Fig. 1**



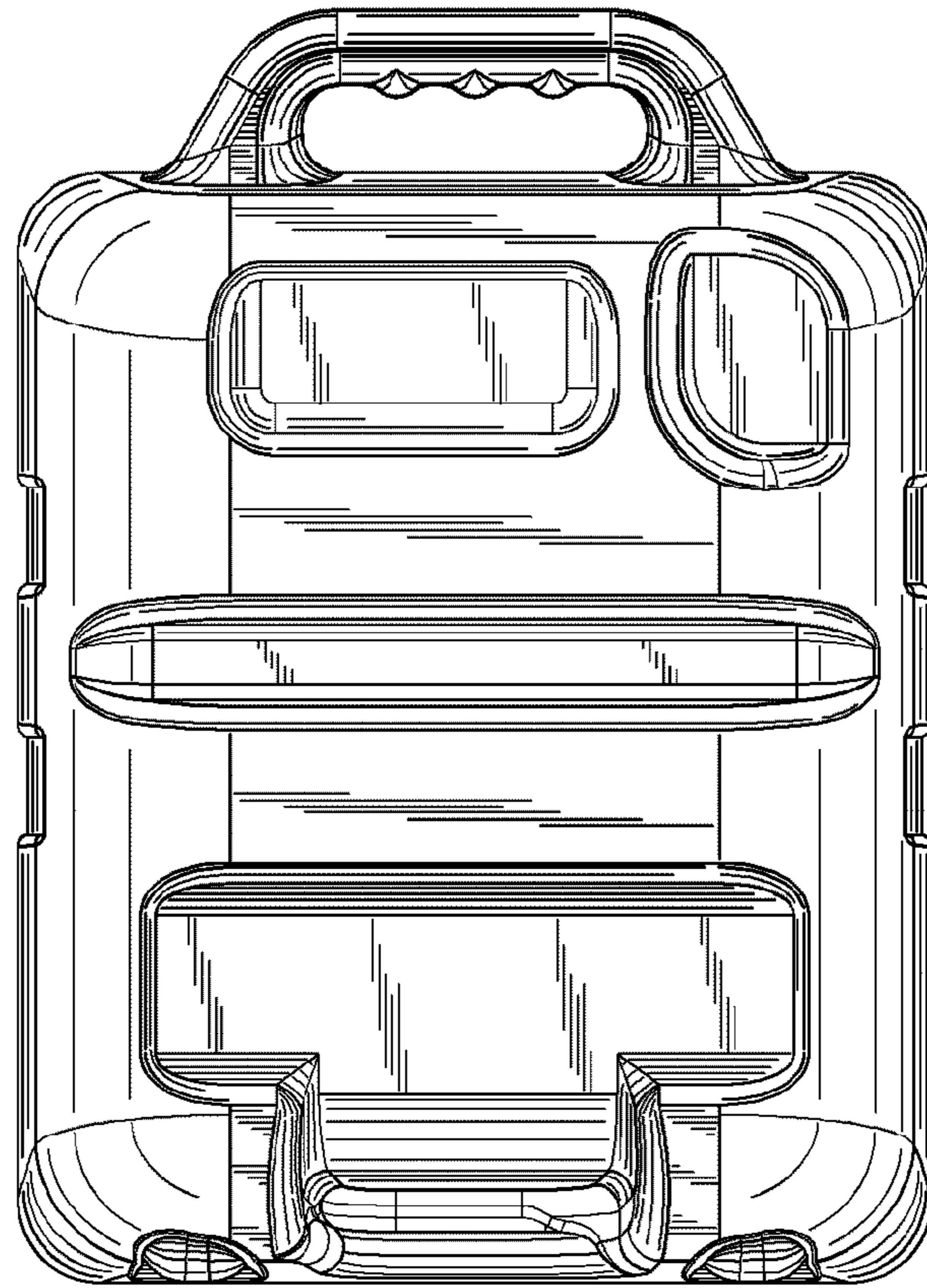
**Fig. 3**



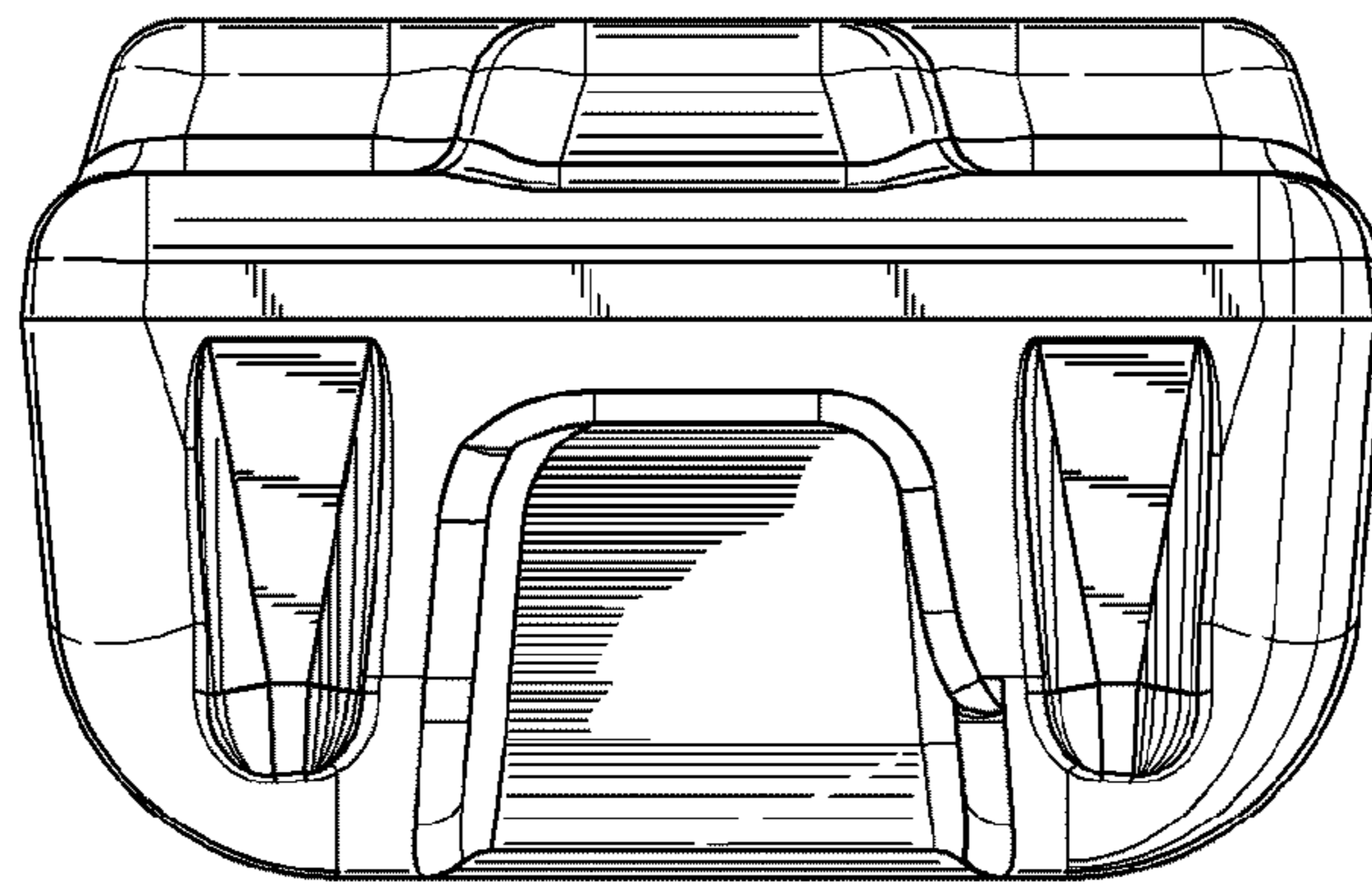
**Fig. 2**



**Fig. 4**



**Fig. 5**



**Fig. 6**

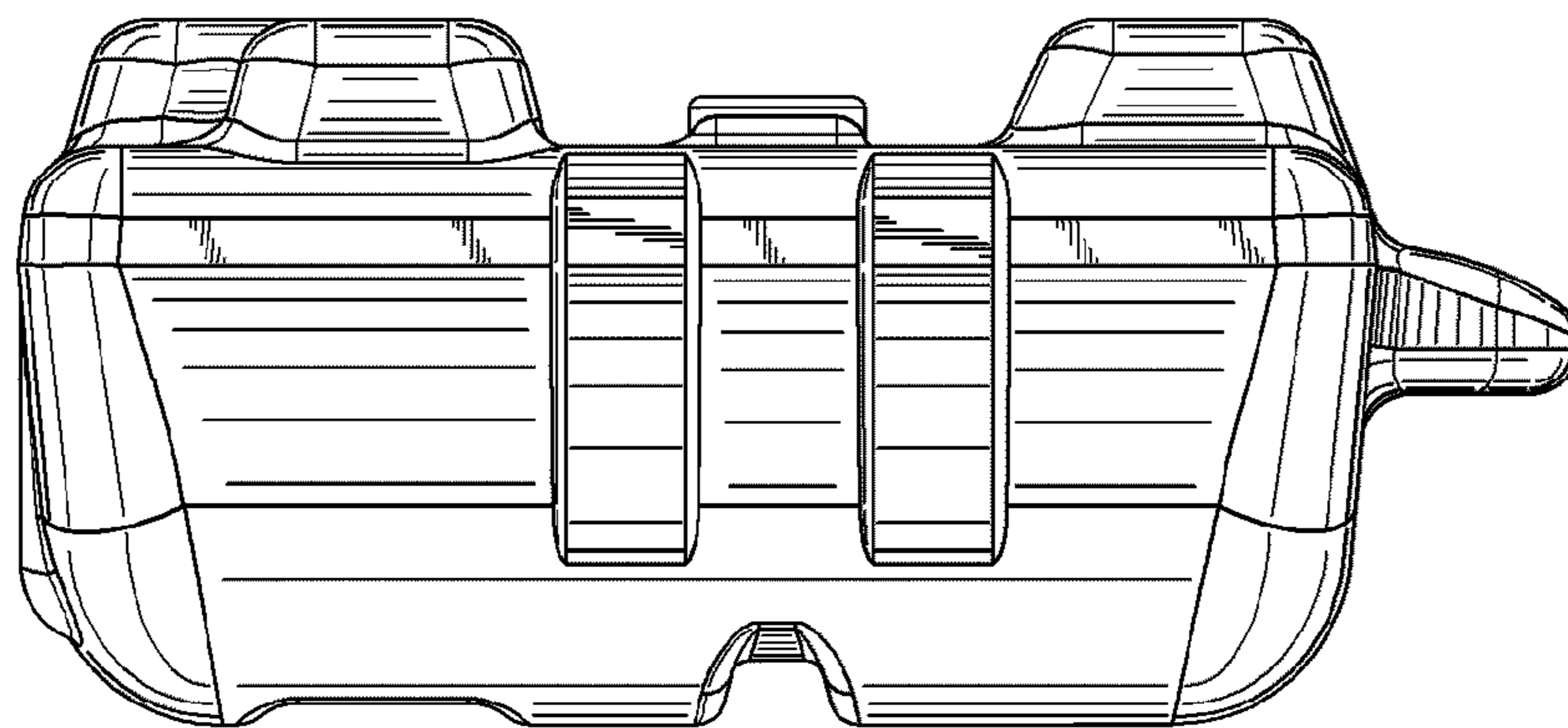


Fig. 7

