



US00D623719S

(12) **United States Design Patent**
Lees

(10) **Patent No.:** **US D623,719 S**

(45) **Date of Patent:** **** Sep. 14, 2010**

(54) **URINAL OUTLET DEVICE**

(75) Inventor: **Richard Lees**, Kingsbridge (GB)

(73) Assignee: **Seladis Bio Limited and Ecosave Systems Limited** (GB)

(**) Term: **14 Years**

(21) Appl. No.: **29/340,835**

(22) Filed: **Jul. 27, 2009**

(30) **Foreign Application Priority Data**

Jan. 28, 2009 (EP) 001076582

(51) **LOC (9) Cl.** **23-01**

(52) **U.S. Cl.** **D23/208; D23/207**

(58) **Field of Classification Search** **D23/207, D23/208, 209; 261/DIG. 72, 94; 210/616, 210/150**

See application file for complete search history.

(56) **References Cited**

U.S. PATENT DOCUMENTS

3,823,924 A * 7/1974 Hoon, Jr. 261/94

4,842,920 A * 6/1989 Banai et al. 428/184

5,690,819 A * 11/1997 Chianh 210/150

6,524,849 B1 * 2/2003 Swift et al. 435/299.1

6,631,890 B1 * 10/2003 Lau 261/94

* cited by examiner

Primary Examiner—Robin V Webster

(74) *Attorney, Agent, or Firm*—Fleit Gibbons Gutman Bongini & Bianco, PL; Martin Fleit; Paul D. Bianco

(57) **CLAIM**

I claim the ornamental design for the “urinal outlet device,” as shown and described.

DESCRIPTION

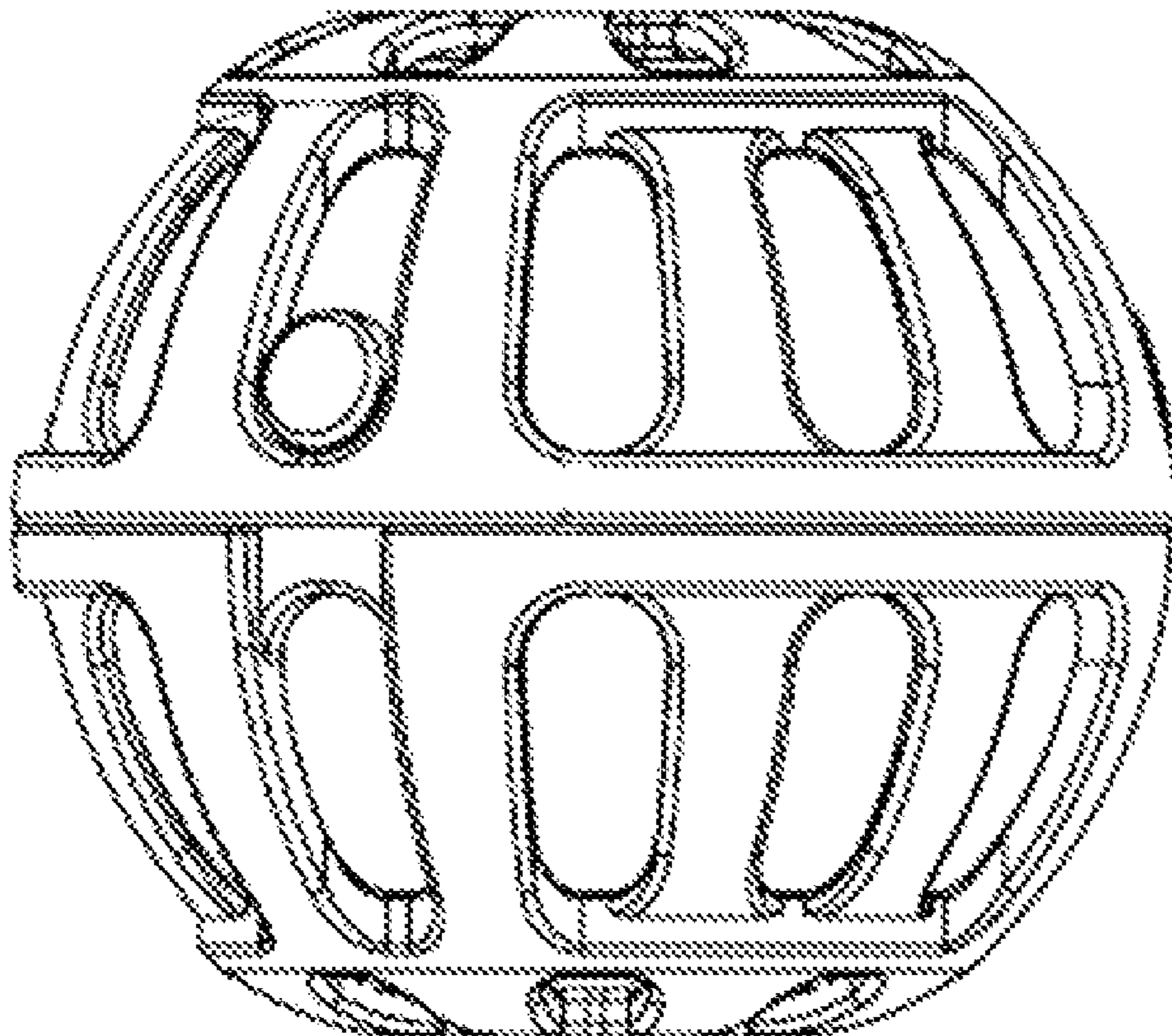
FIG. 1 is a front view of a first embodiment of the urinal outlet device of the present invention;

FIG. 2 is a view from a first (left) side thereof;

FIG. 3 is a top view thereof; and,

FIG. 4 is a bottom view thereof.

1 Claim, 1 Drawing Sheet



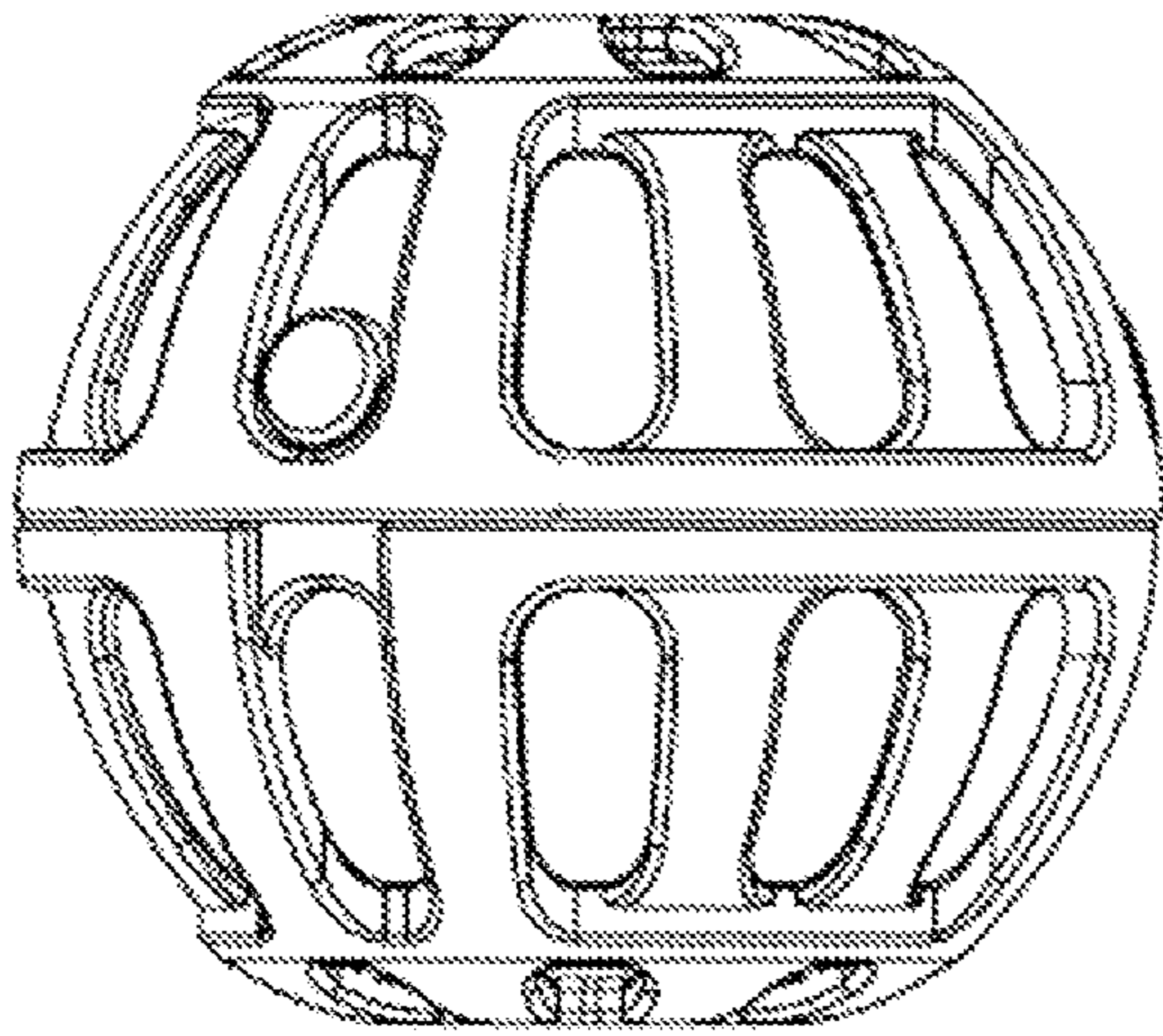


FIG. 1

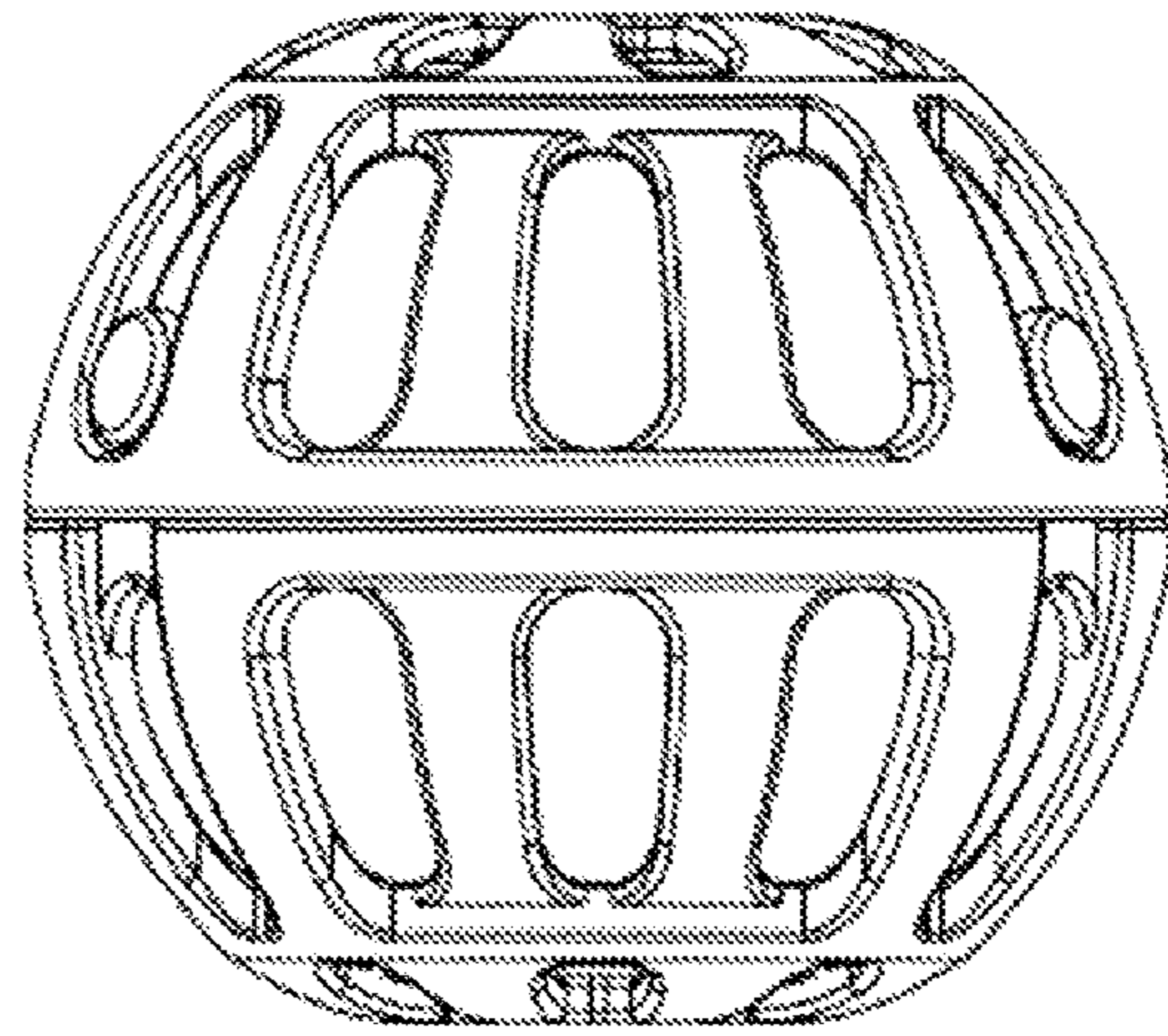


FIG. 2

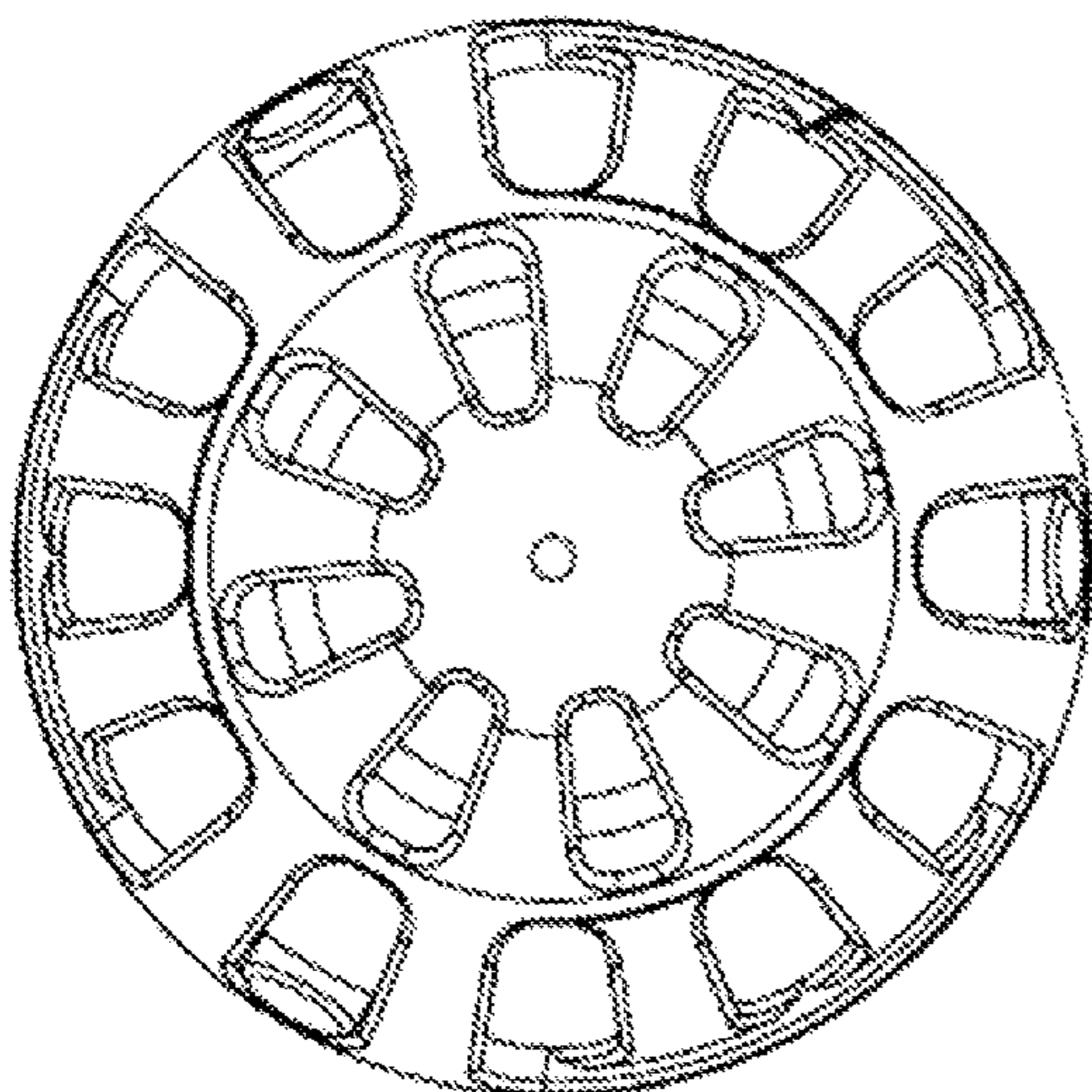


FIG. 3

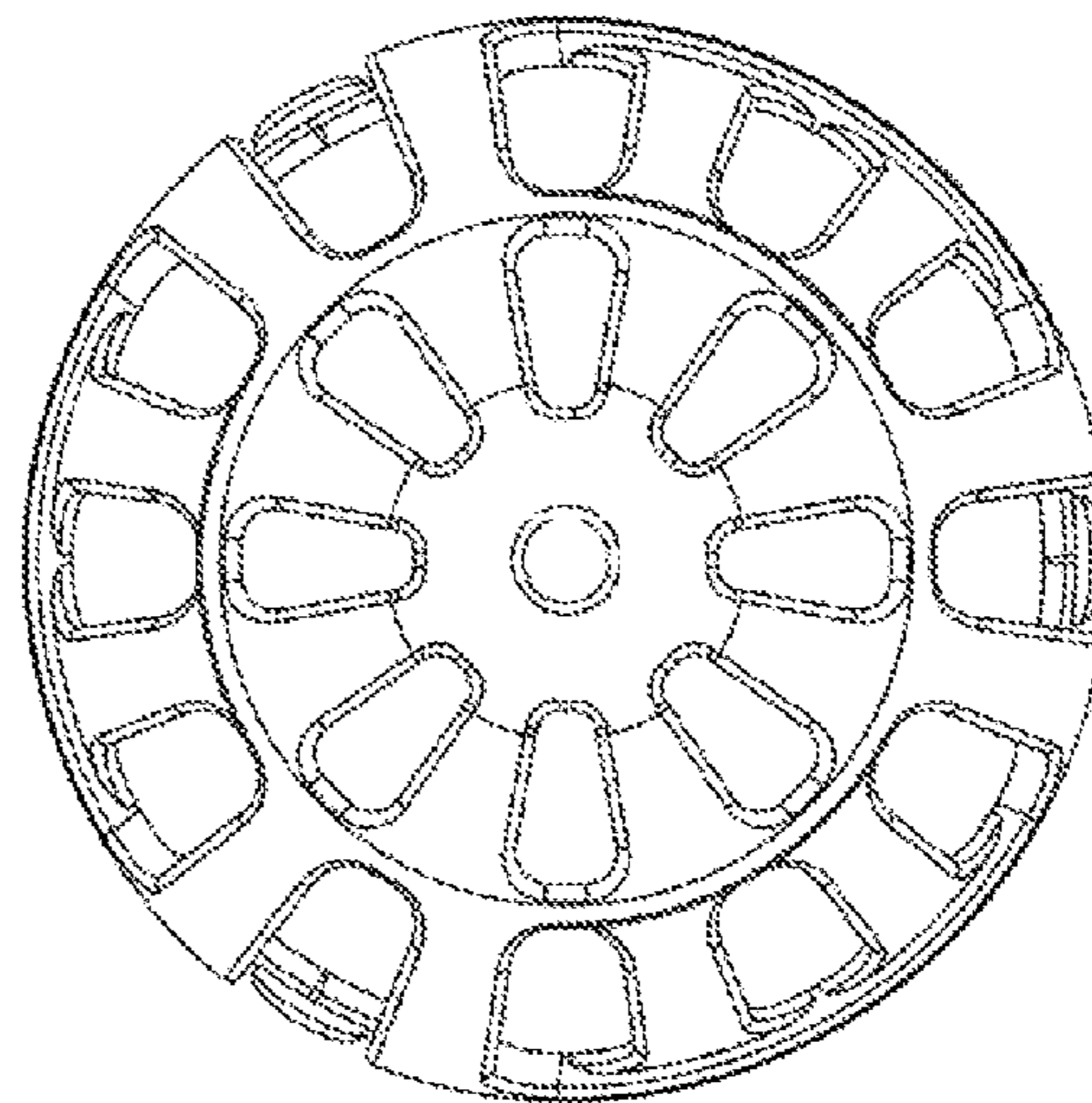


FIG. 4