

US00D623716S

(12) **United States Design Patent**
Bentley

(10) **Patent No.:** **US D623,716 S**

(45) **Date of Patent:** **** Sep. 14, 2010**

(54) **GUN STOCK**

(75) Inventor: **James K. Bentley**, Meridian, ID (US)

(73) Assignee: **Krow Innovation, LLC**, Meridian, ID (US)

(**) Term: **14 Years**

(21) Appl. No.: **29/331,914**

(22) Filed: **Feb. 4, 2009**

(51) **LOC (9) Cl.** **22-01**

(52) **U.S. Cl.** **D22/108**

(58) **Field of Classification Search** D22/100,
D22/101, 103, 104, 108, 199; D21/572,
D21/573; 42/51, 71.01, 75.01, 75.02, 90,
42/94, 134, 136, 139, 125, 72, 111; 362/110;
33/241, 277; 313/105 R; 89/40.06, 41.19,
89/37.04, 33.04, 191.01, 200-204; 124/67,
124/66, 74

See application file for complete search history.

(56) **References Cited**

U.S. PATENT DOCUMENTS

D297,855 S *	9/1988	Ruger et al.	D22/108
D304,223 S *	10/1989	Ruger et al.	D22/108
D324,557 S *	3/1992	Livingston	D22/103
D375,777 S *	11/1996	Whittlesey	D22/108
D443,912 S *	6/2001	Henderson	D22/108
D551,312 S *	9/2007	Al-Mulla	D22/103

D556,851 S *	12/2007	Tom	D22/108
D574,054 S *	7/2008	Early, IV	D22/108
D589,578 S *	3/2009	Choma	D22/107
D590,907 S *	4/2009	Barnett	D22/107

* cited by examiner

Primary Examiner—T. Chase Nelson

Assistant Examiner—Michael A Pratt

(74) *Attorney, Agent, or Firm*—Zarian Midgley & Johnson PLLC

(57) **CLAIM**

The ornamental design for a gun stock, as shown and described.

DESCRIPTION

FIG. 1 is a perspective view of the gun stock of the present invention;

FIG. 2 is a right side view of the gun stock of FIG. 1;

FIG. 3 is a left side view of the gun stock of FIG. 1;

FIG. 4 is a top view of the gun stock of FIG. 1;

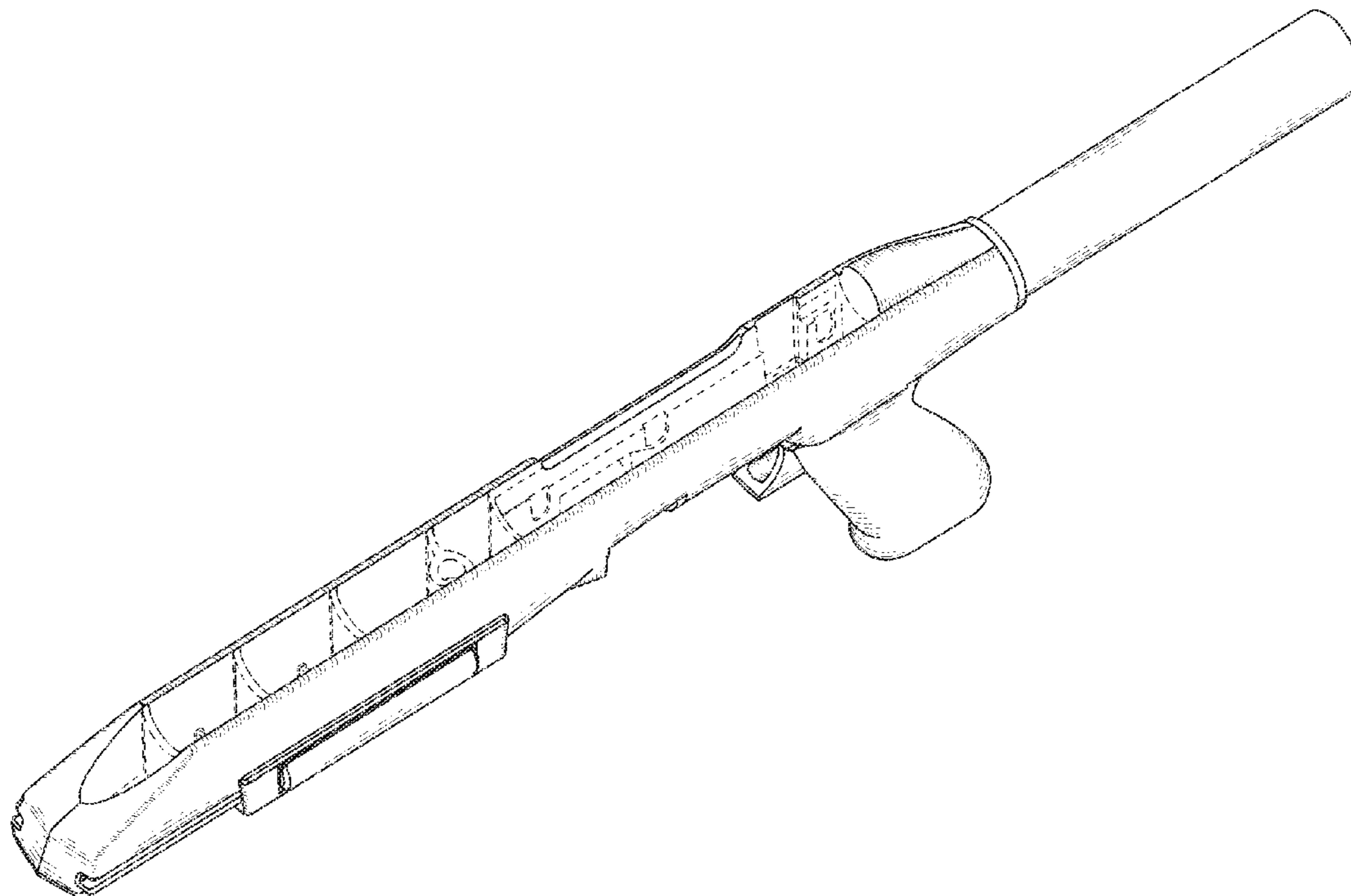
FIG. 5 is a bottom view of the gun stock of FIG. 1;

FIG. 6 is a front view of the gun stock of FIG. 1; and,

FIG. 7 is a back view of the gun stock of FIG. 1.

The broken line showing of FIGS. 1,4,5 and 7 is included for the purpose of illustrating portions of the gun stock that form no part of the claimed design.

1 Claim, 4 Drawing Sheets



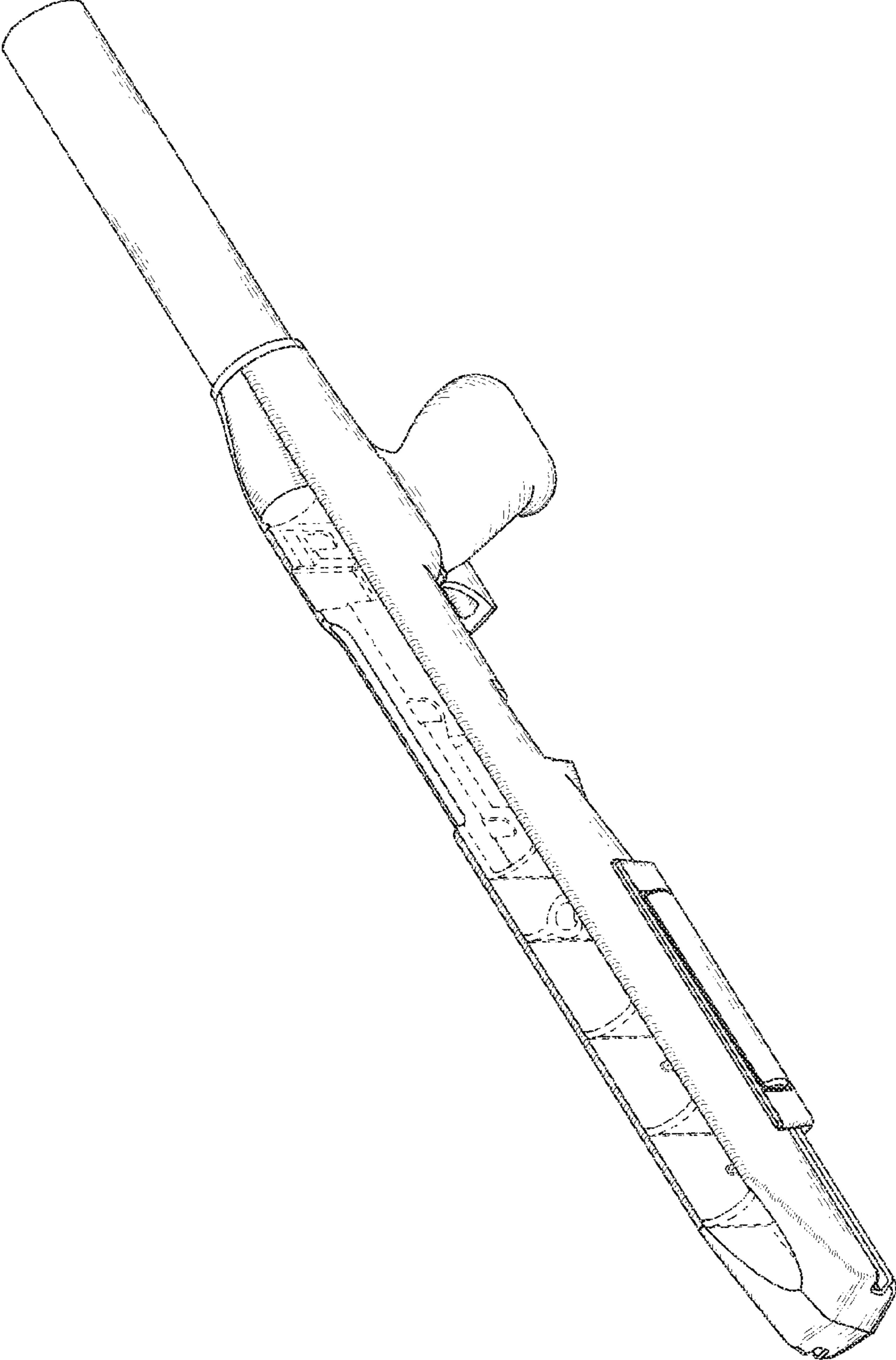


FIG. 1

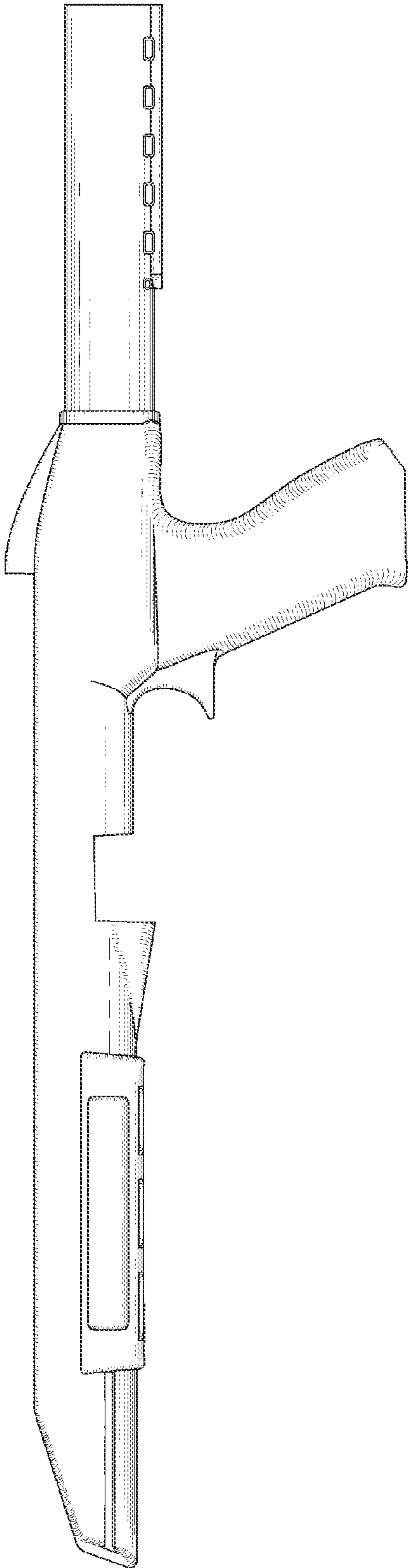


FIG. 2

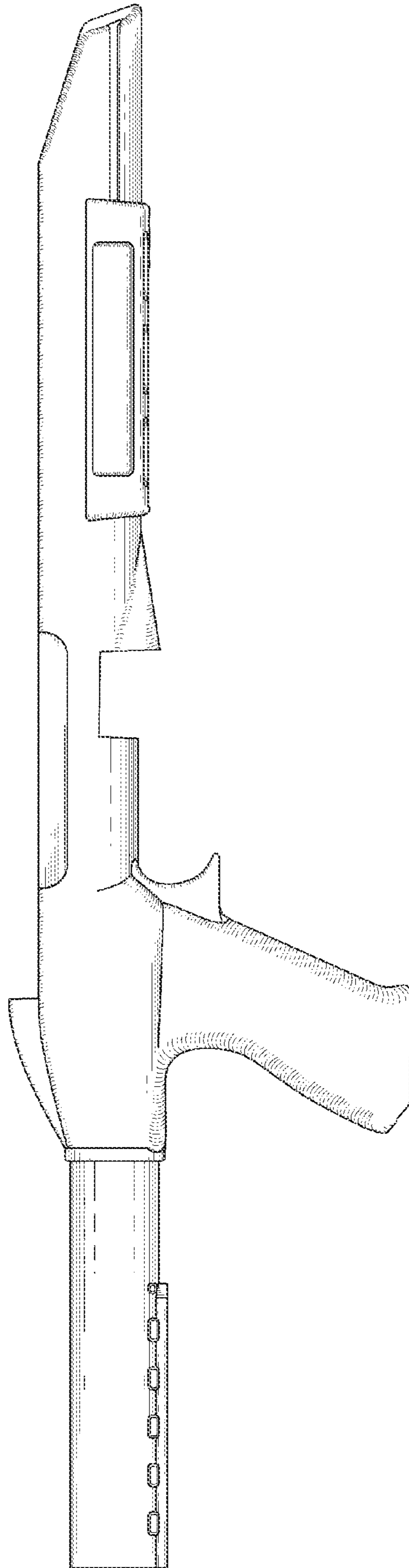


FIG. 3

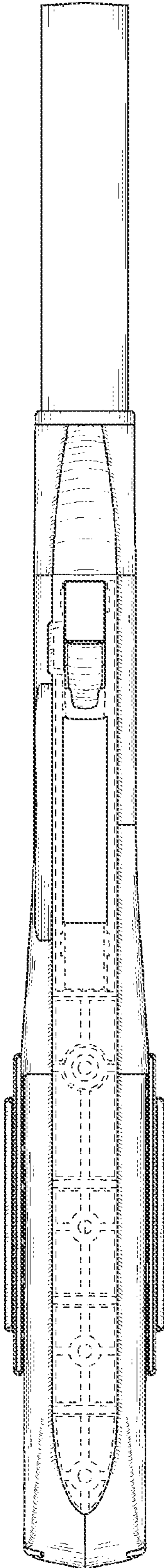


FIG. 4

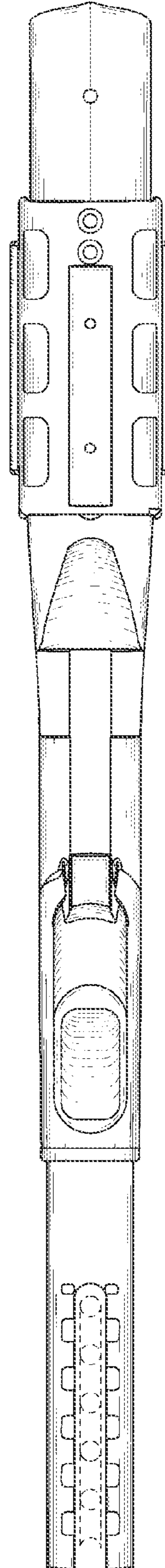


FIG. 5

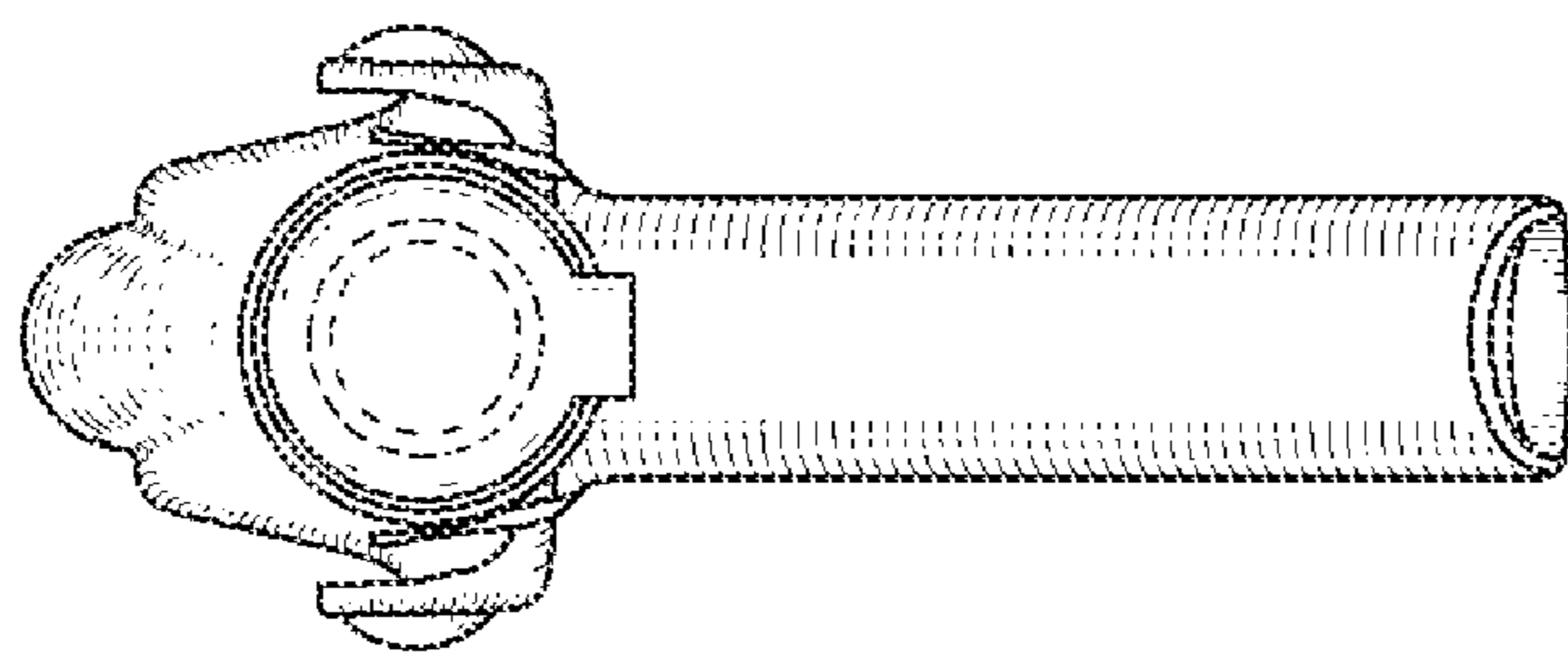


FIG. 7

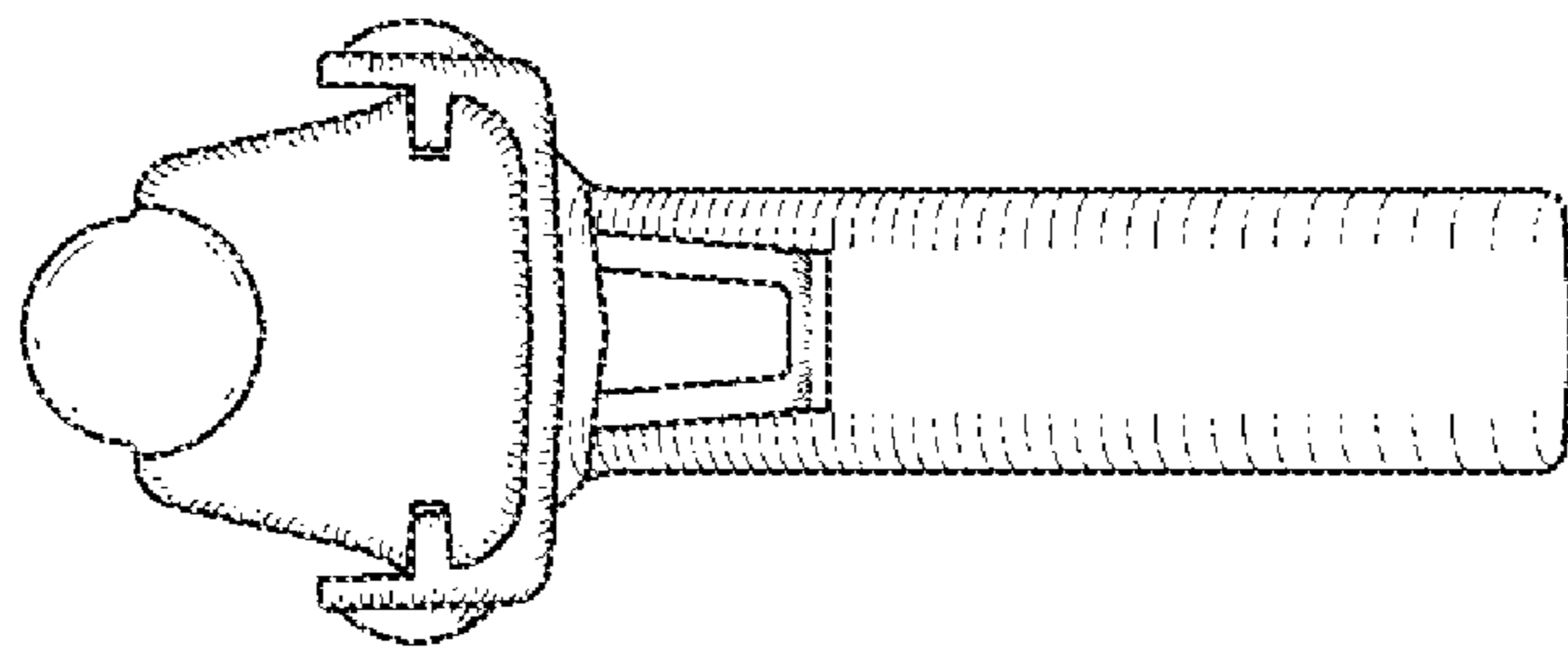


FIG. 6