



US00D623712S

(12) **United States Design Patent**  
**Mills**

(10) **Patent No.:** **US D623,712 S**  
(45) **Date of Patent:** **\*\* Sep. 14, 2010**

(54) **PUTTER HEAD**

(75) Inventor: **David F. Mills**, Tuscaloosa, AL (US)

(73) Assignee: **T. P. Mills Company, Inc.**, Tuscaloosa, AL (US)

(\*\*) Term: **14 Years**

(21) Appl. No.: **29/355,494**

(22) Filed: **Feb. 9, 2010**

**Related U.S. Application Data**

(60) Continuation of application No. 29/307,175, filed on Apr. 4, 2008, now Pat. No. Des. 600,294, which is a division of application No. 29/316,120, filed on Aug. 26, 2009.

(51) **LOC (9) Cl.** ..... **21-02**

(52) **U.S. Cl.** ..... **D21/759**

(58) **Field of Classification Search** ..... D21/736-746;  
473/324-331, 340-341

See application file for complete search history.

(56) **References Cited**

**U.S. PATENT DOCUMENTS**

D159,068 S *	6/1950	Jamison	.....	D21/736
D297,040 S *	8/1988	Shong	.....	D21/741
D360,010 S *	7/1995	Green	.....	D21/746
D392,355 S *	3/1998	Ramirez et al.	.....	D21/745
D600,294 S *	9/2009	Mills	.....	D21/736

\* cited by examiner

*Primary Examiner*—Mitchell I Siegel

(74) *Attorney, Agent, or Firm*—J. Bennett Mullinax LLC

(57) **CLAIM**

The ornamental design for a putter head, as shown and described.

**DESCRIPTION**

FIG. 1 is a front perspective view of a first embodiment of a putter head.

FIG. 2 is a front elevational view of the putter head seen in FIG. 1.

FIG. 3 is a rear elevational view of the putter head seen in FIG. 1.

FIG. 4 is a top plan view of the putter head seen in FIG. 1.

FIG. 5 is a bottom plan view of the putter head seen in FIG. 1.

FIG. 6 is an elevational view of the left side of the putter head seen in FIG. 1.

FIG. 7 is an elevational view of the right side of the putter head seen in FIG. 1.

FIG. 8 is a front perspective view of a second embodiment of a putter head.

FIG. 9 is a front elevational view of the putter head seen in FIG. 8.

FIG. 10 is a rear elevational view of the putter head seen in FIG. 8.

FIG. 11 is a top plan view of the putter head seen in FIG. 8.

FIG. 12 is a bottom plan view of the putter head seen in FIG. 8.

FIG. 13 is an elevational view of the left side of the putter head seen in FIG. 8.

FIG. 14 is an elevational view of the right side of the putter head seen in FIG. 8.

FIG. 15 is a front perspective view of a third embodiment of a putter head.

FIG. 16 is a front elevational view of the putter head seen in FIG. 15.

FIG. 17 is a rear elevational view of the putter head seen in FIG. 15.

FIG. 18 is a top plan view of the putter head seen in FIG. 15.

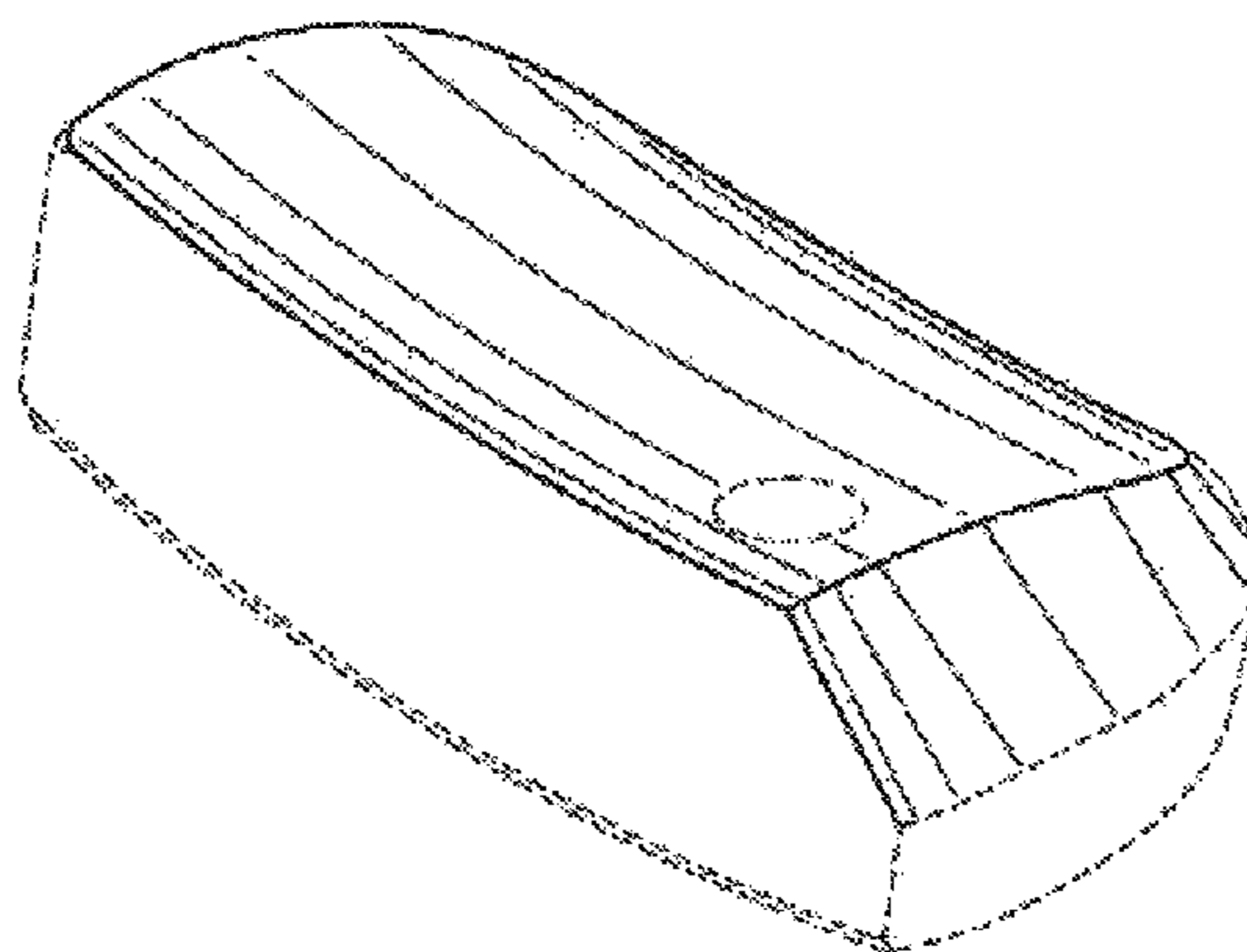
FIG. 19 is a bottom plan view of the putter head seen in FIG. 15.

FIG. 20 is an elevational view of the left side of the putter head seen in FIG. 15; and,

FIG. 21 is an elevational view of the right side of the putter head seen in FIG. 15.

The features shown in broken lines in the Figures depict portions of the putter head that form no part of the claimed design.

**1 Claim, 6 Drawing Sheets**



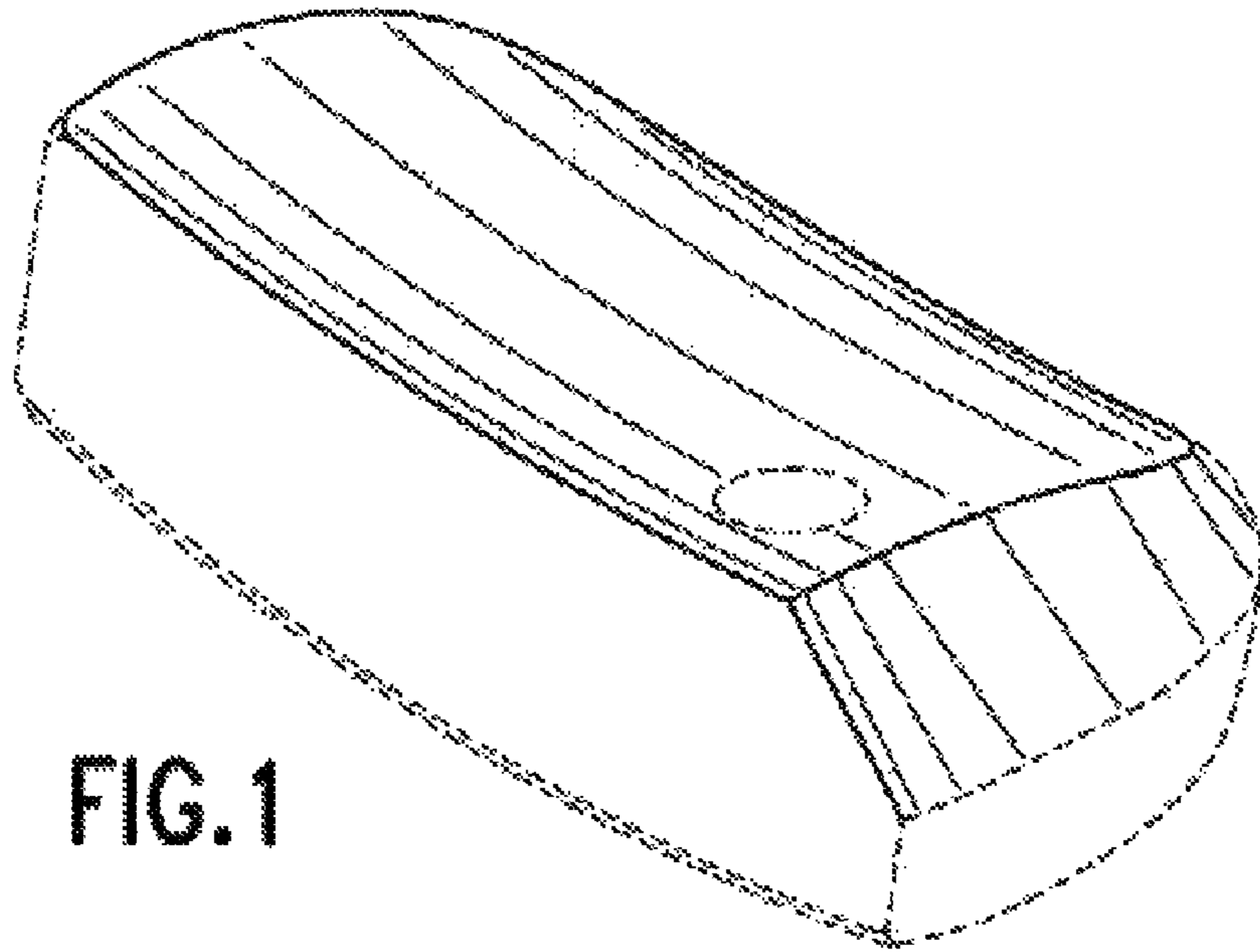


FIG. 1

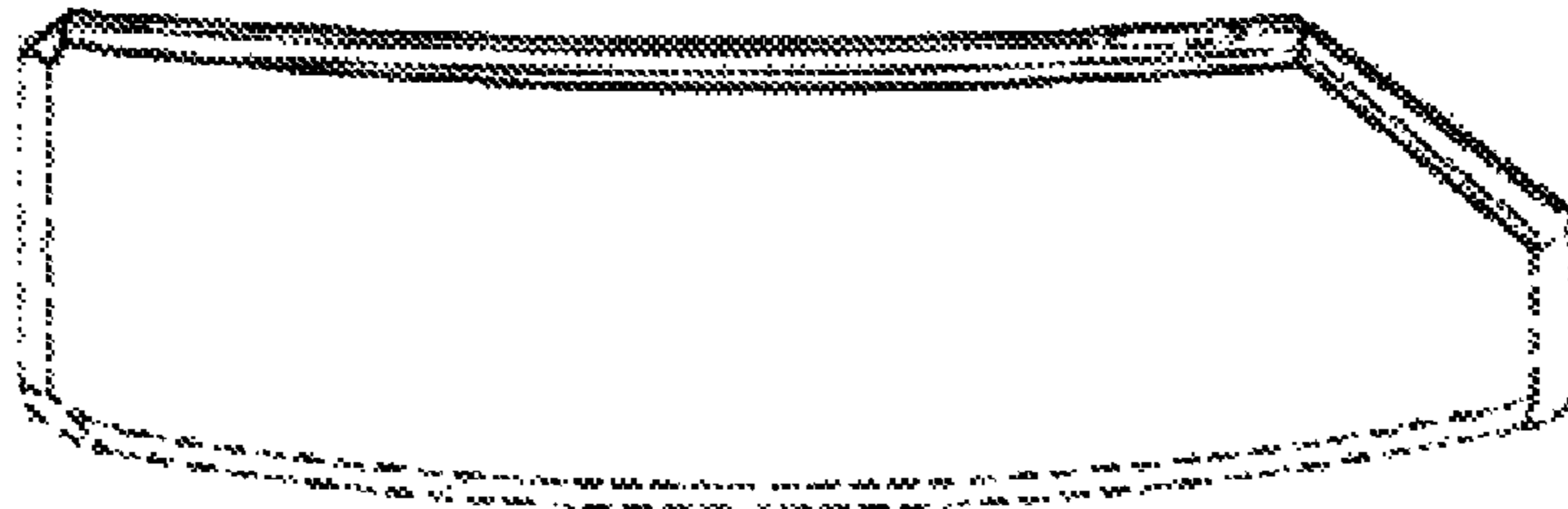


FIG. 2

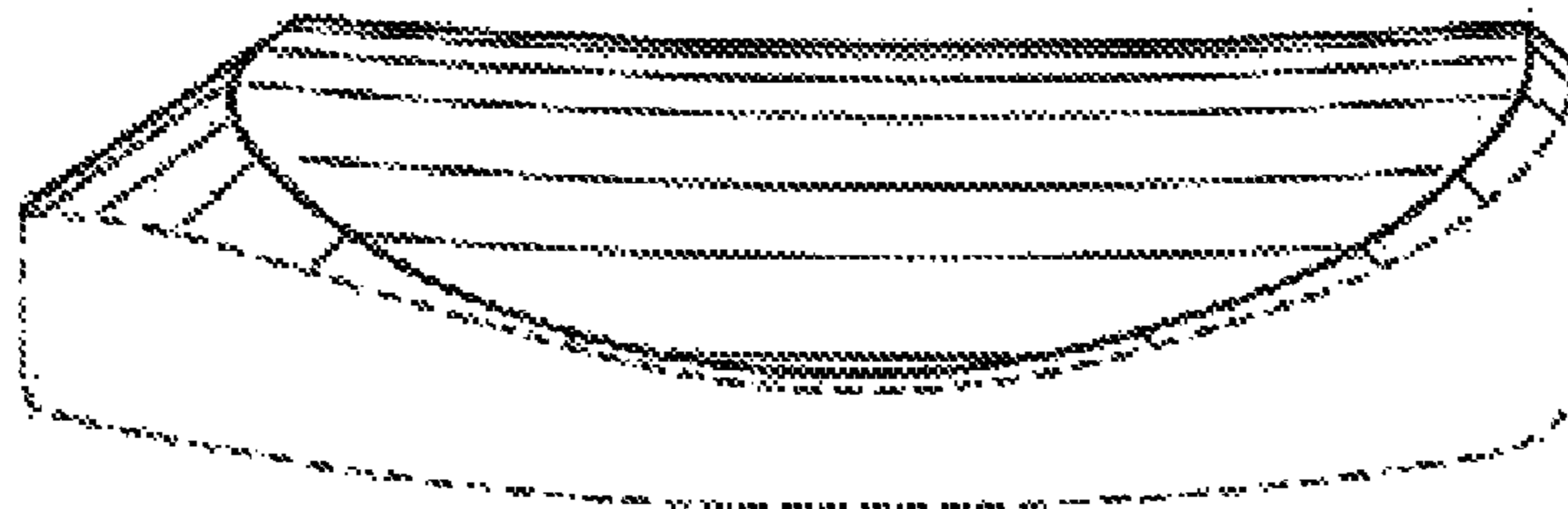


FIG. 3

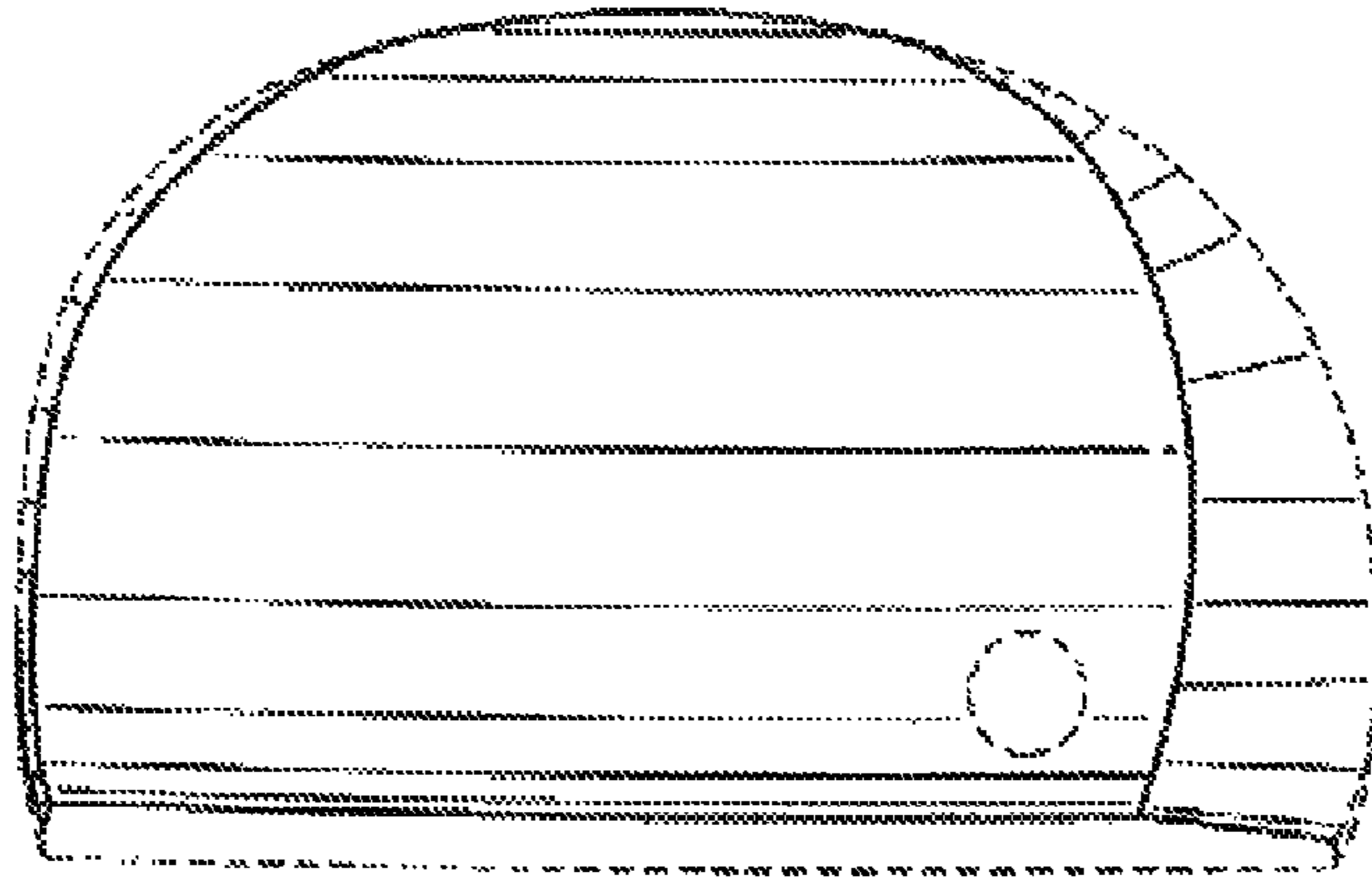


FIG. 4

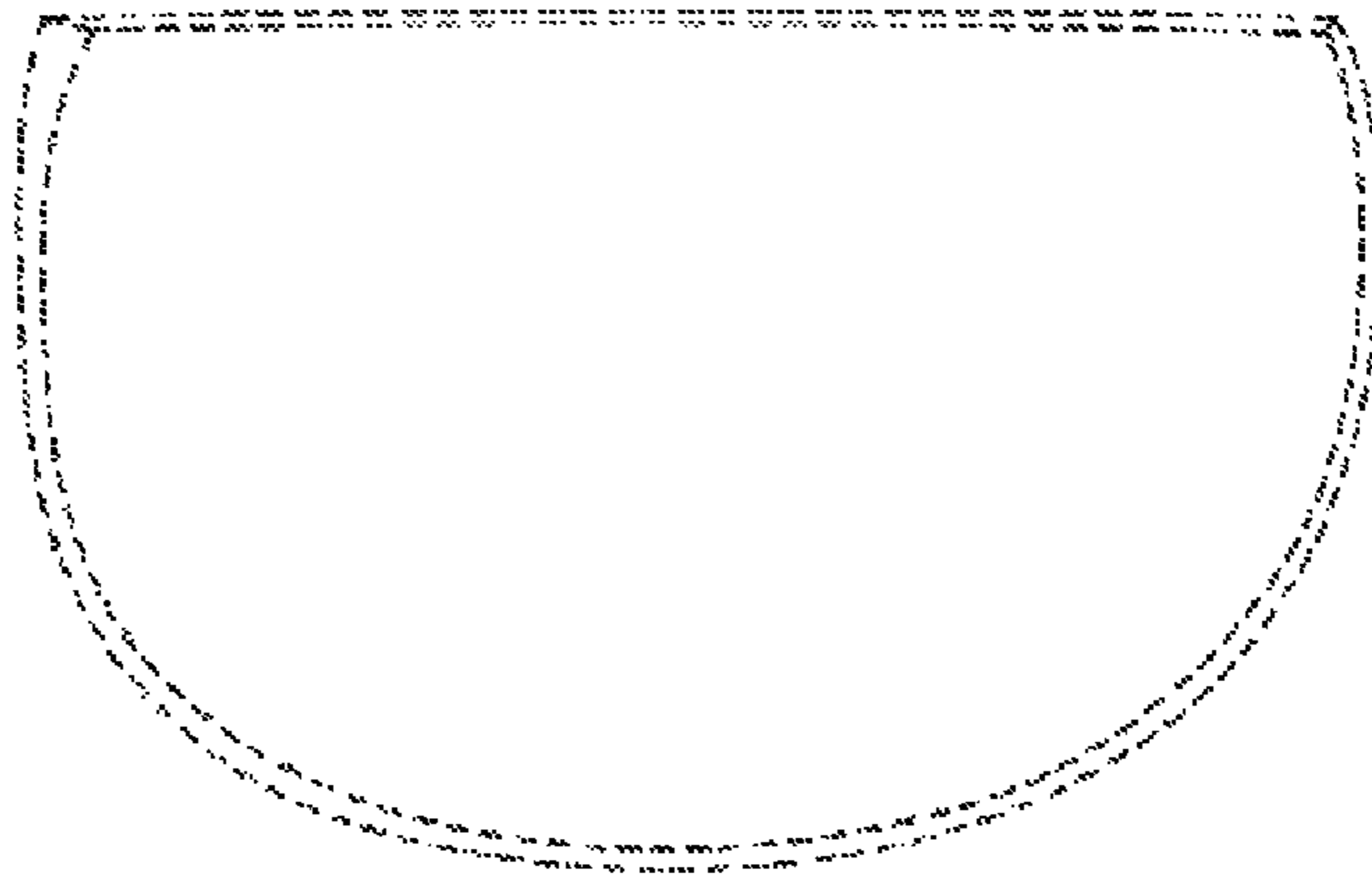


FIG. 5

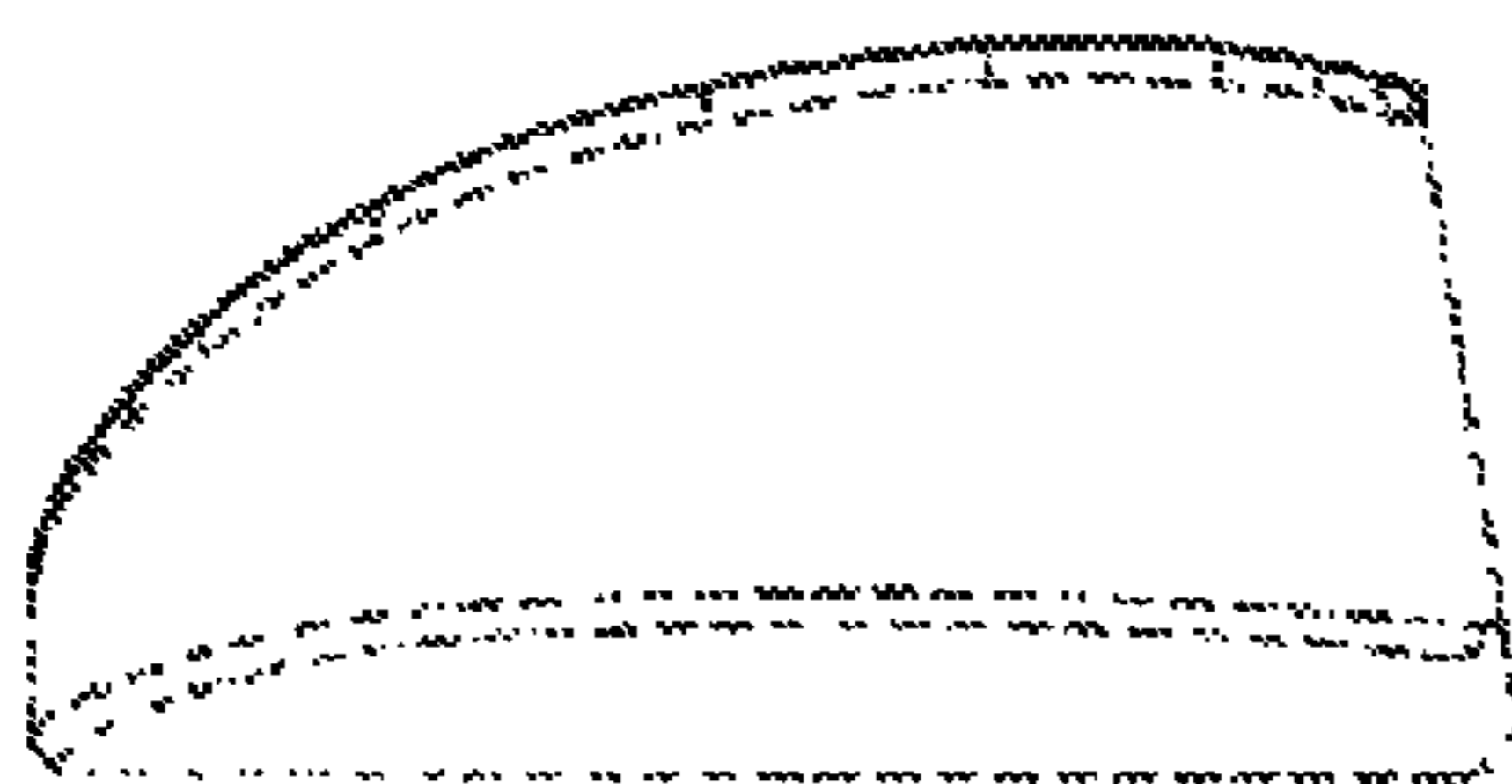


FIG. 6

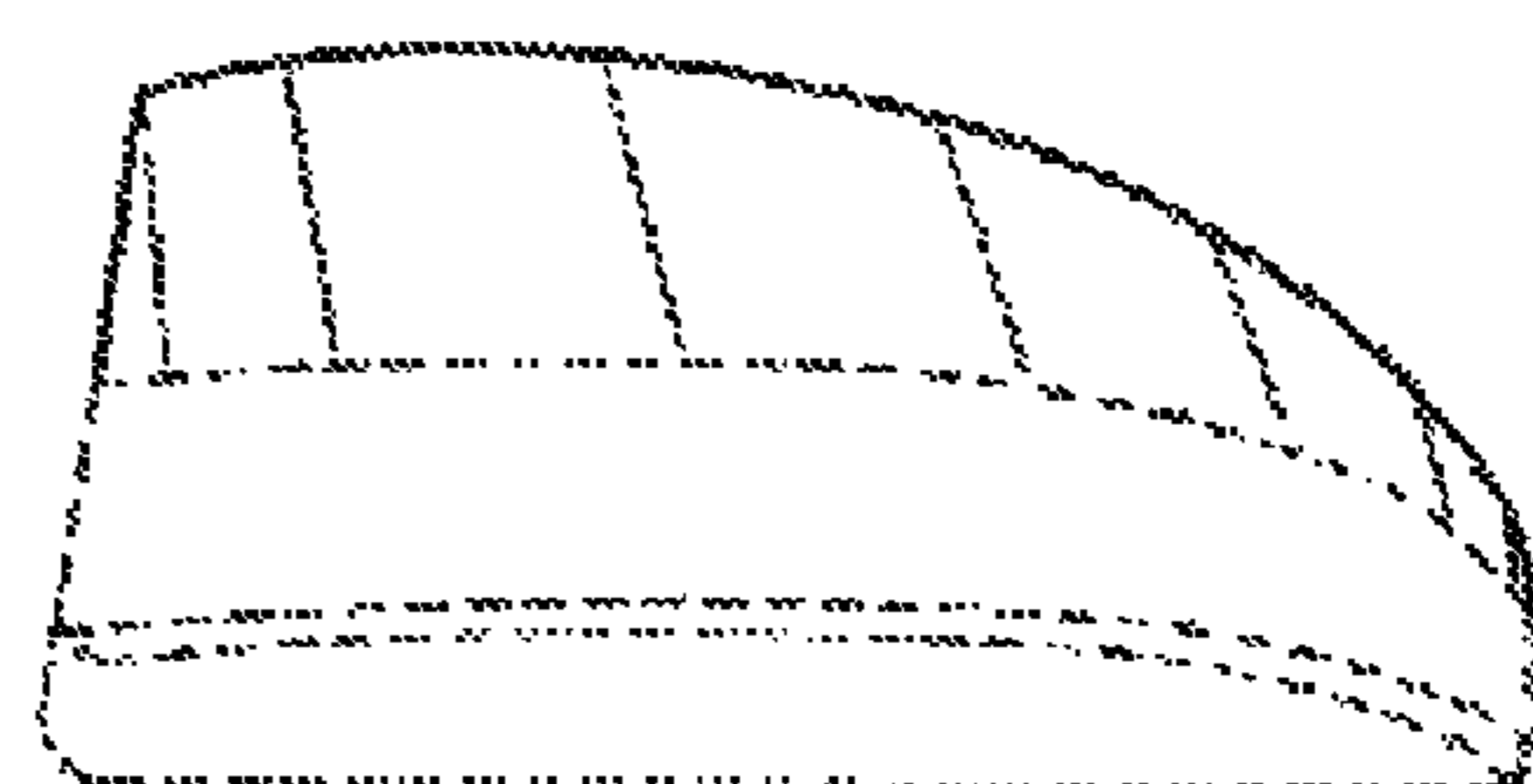


FIG. 7

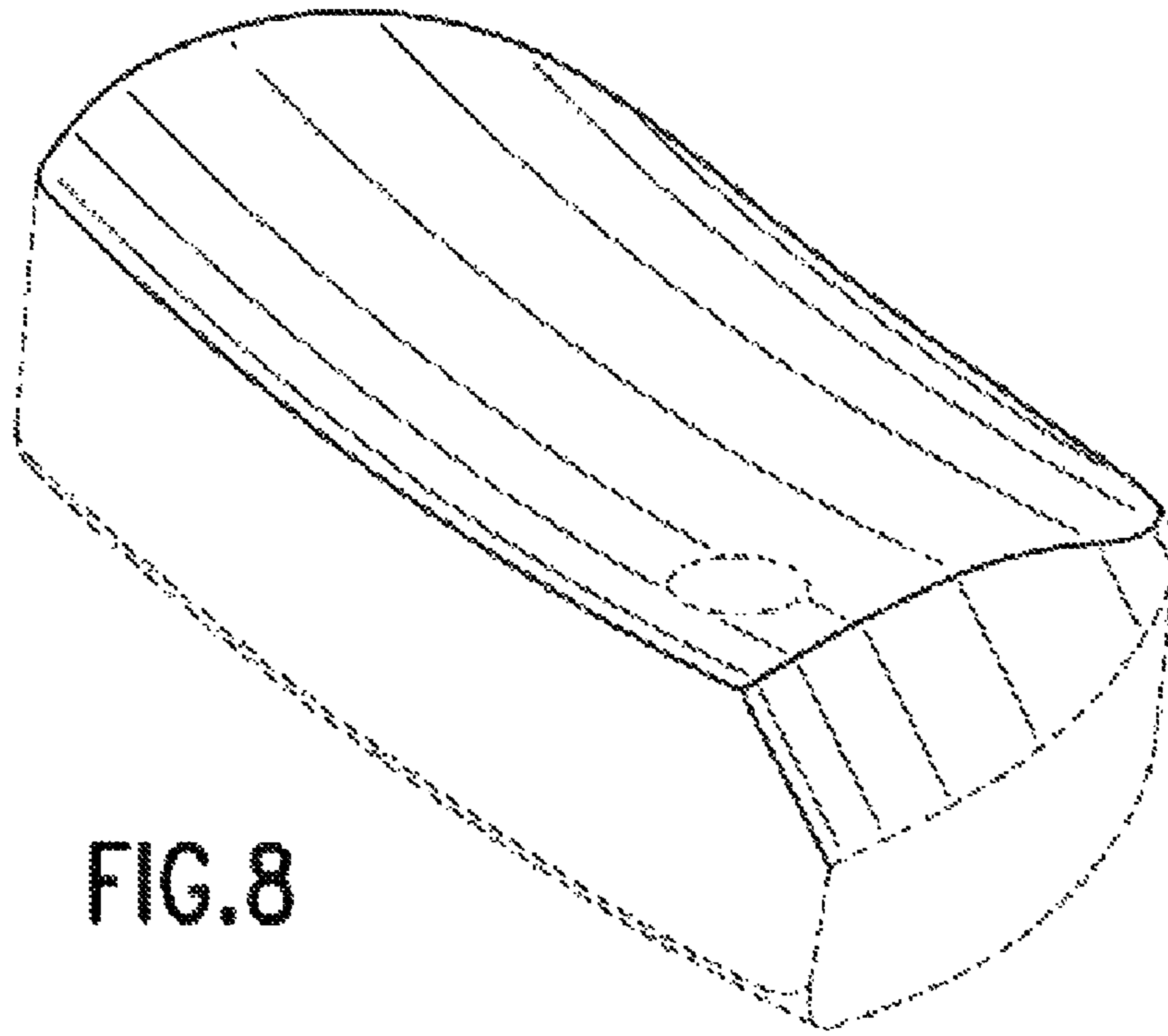


FIG. 8

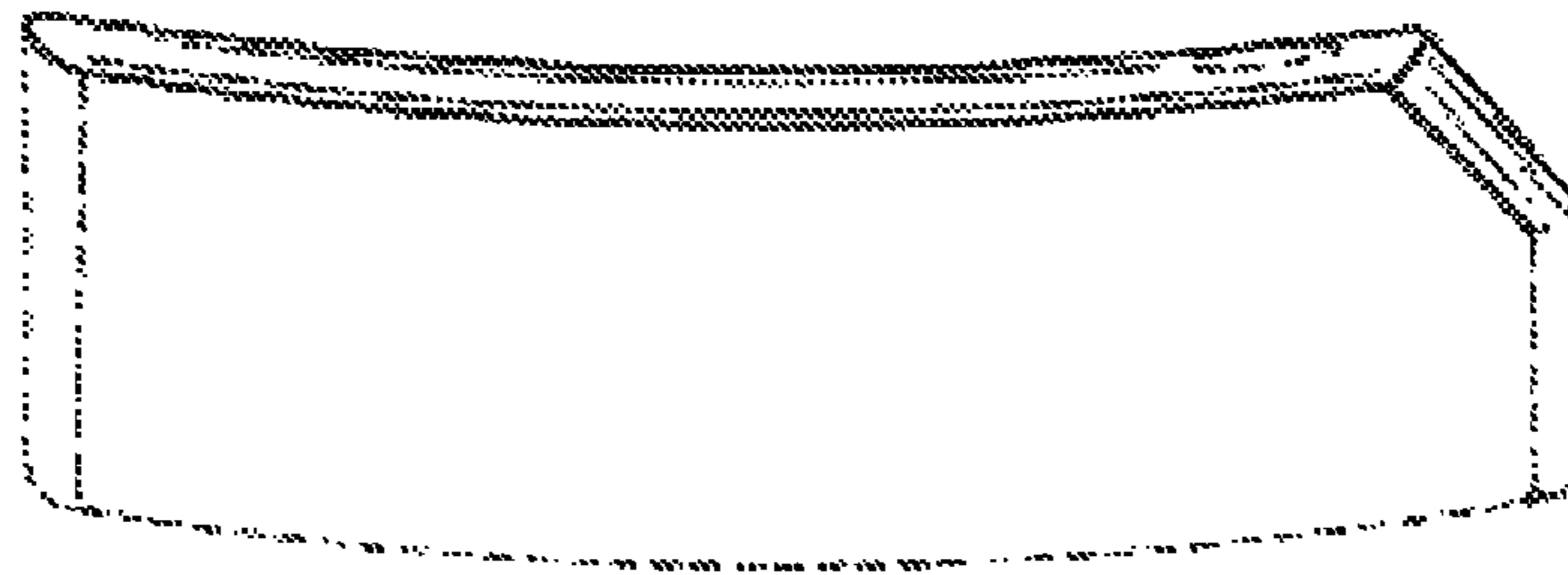


FIG. 9

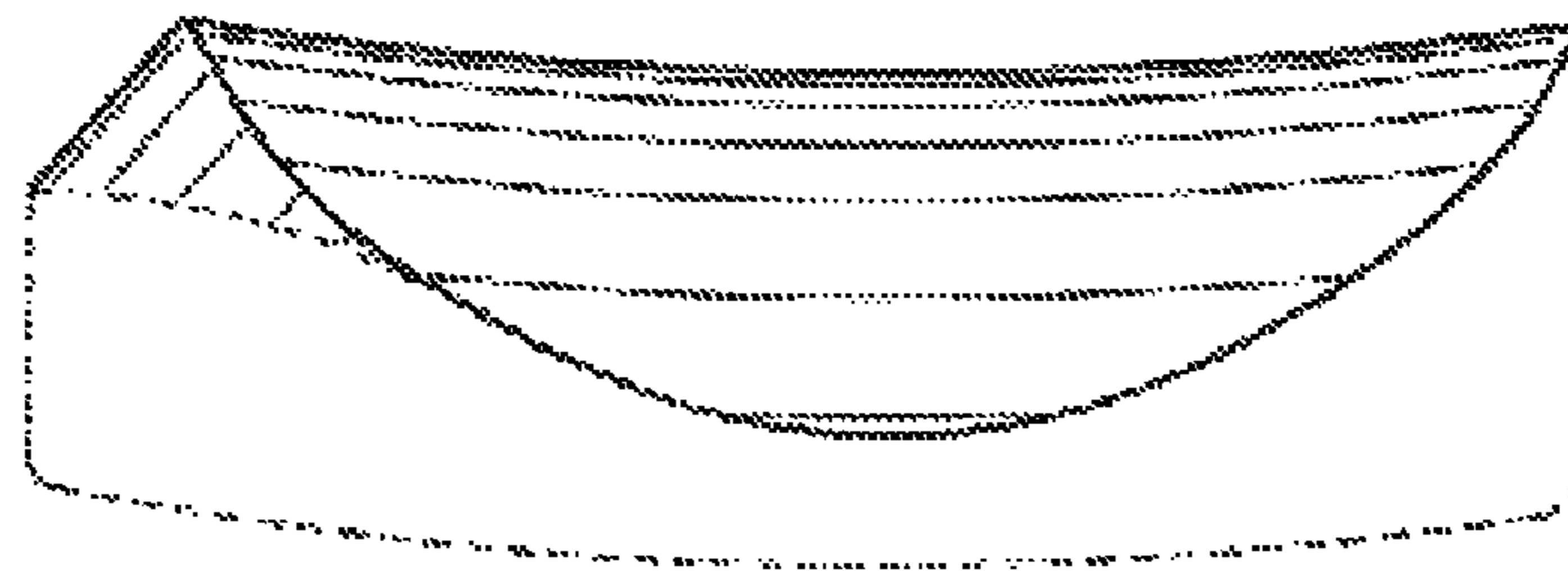


FIG. 10

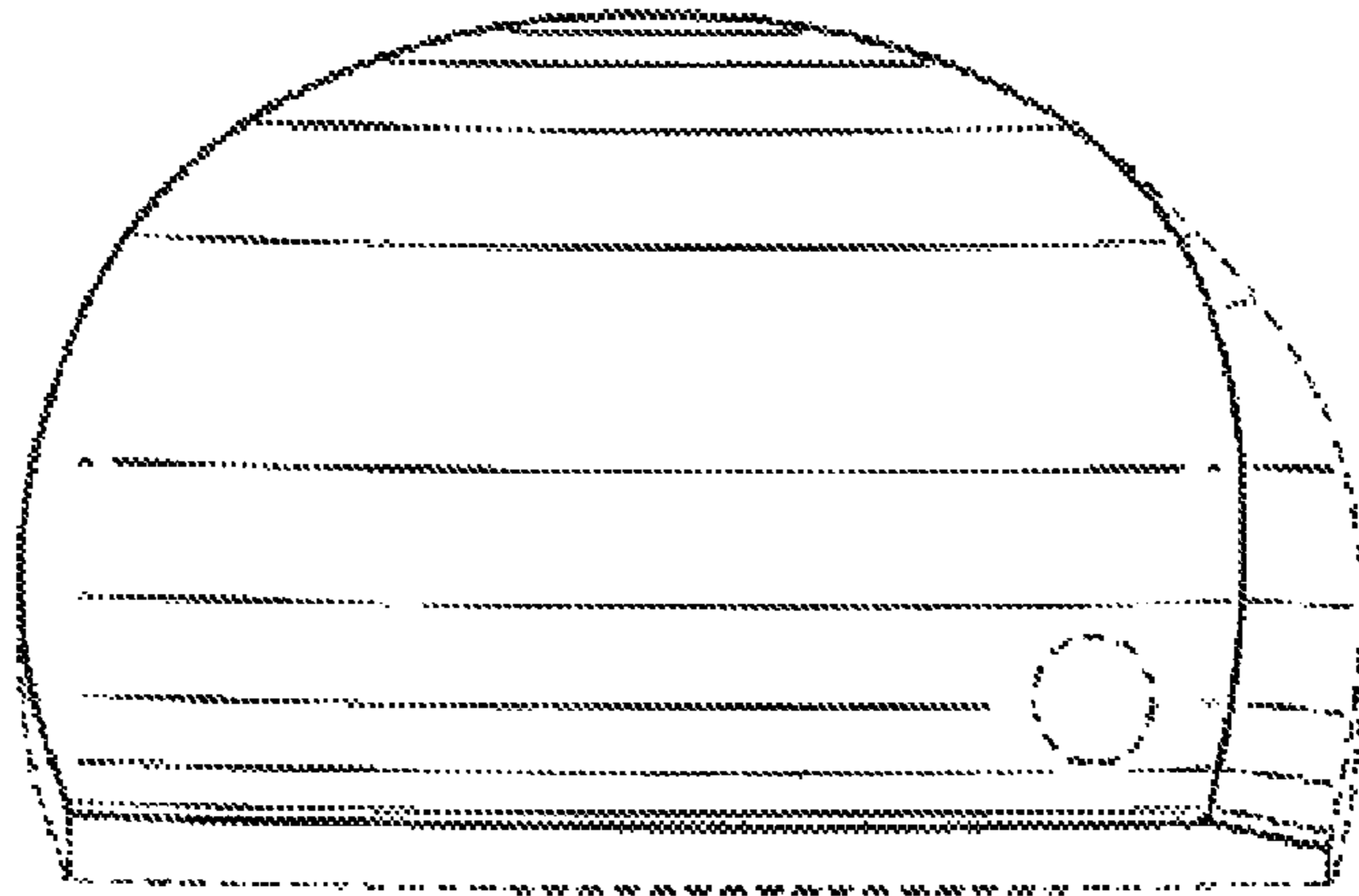


FIG. 11

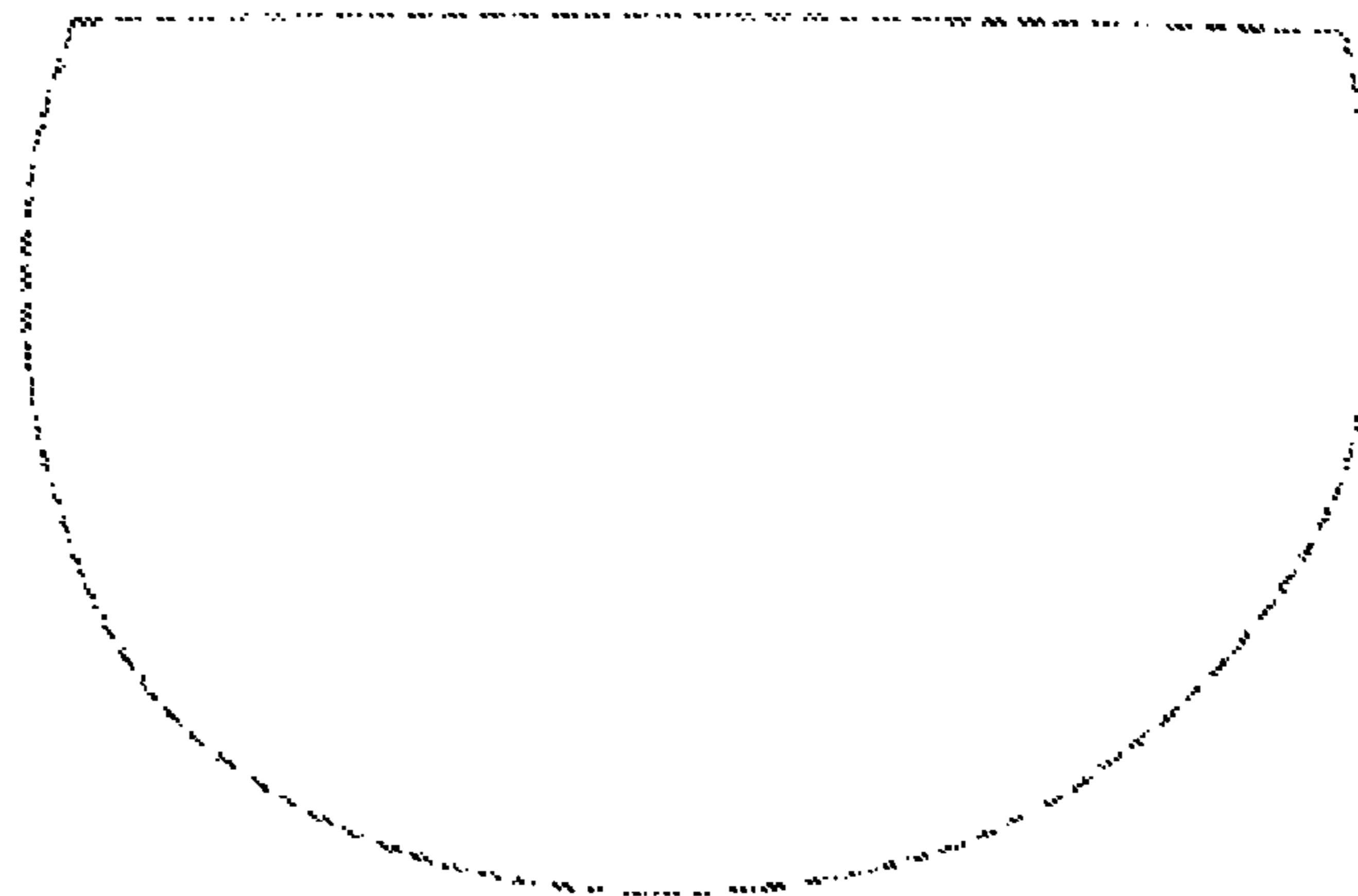


FIG. 12

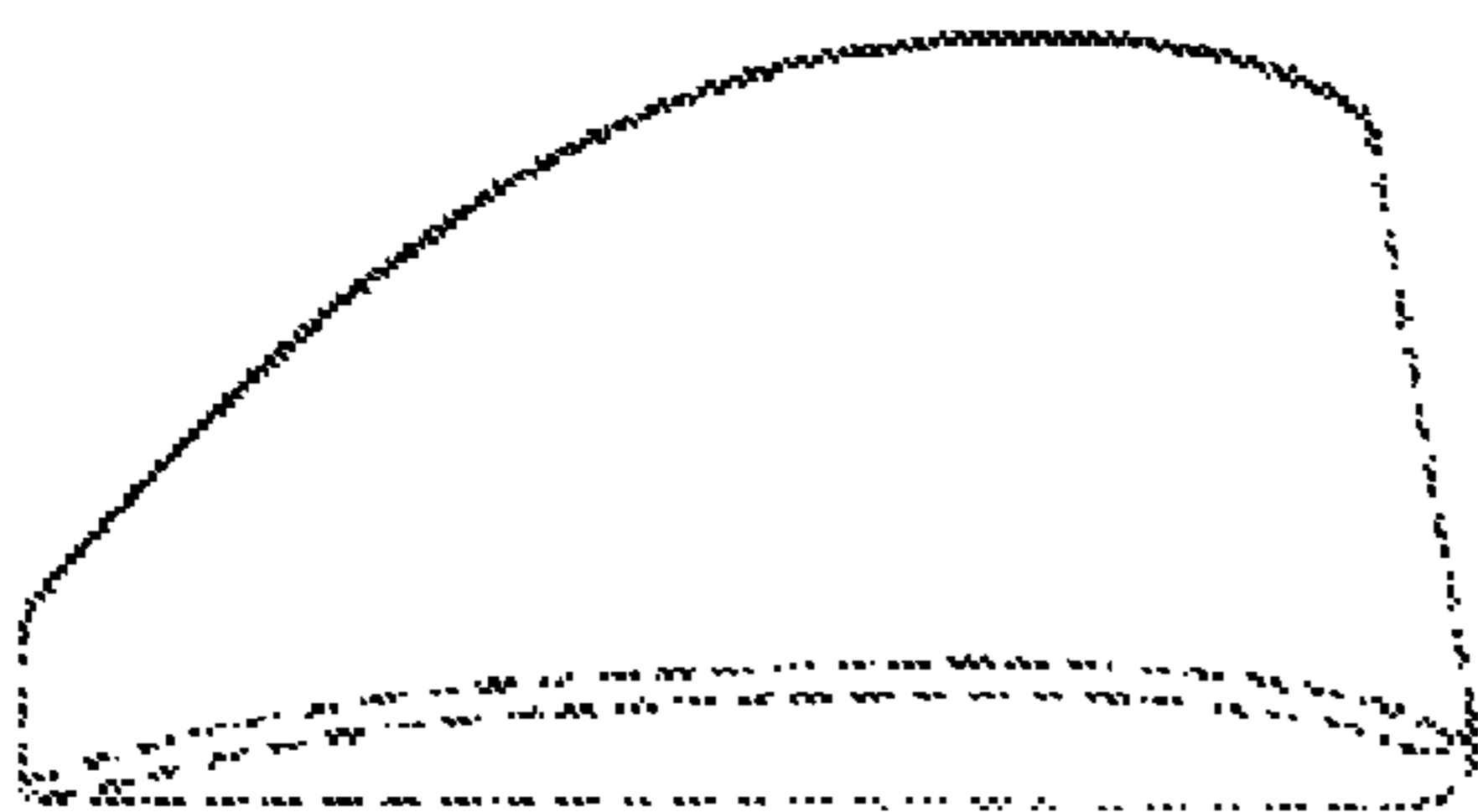


FIG. 13

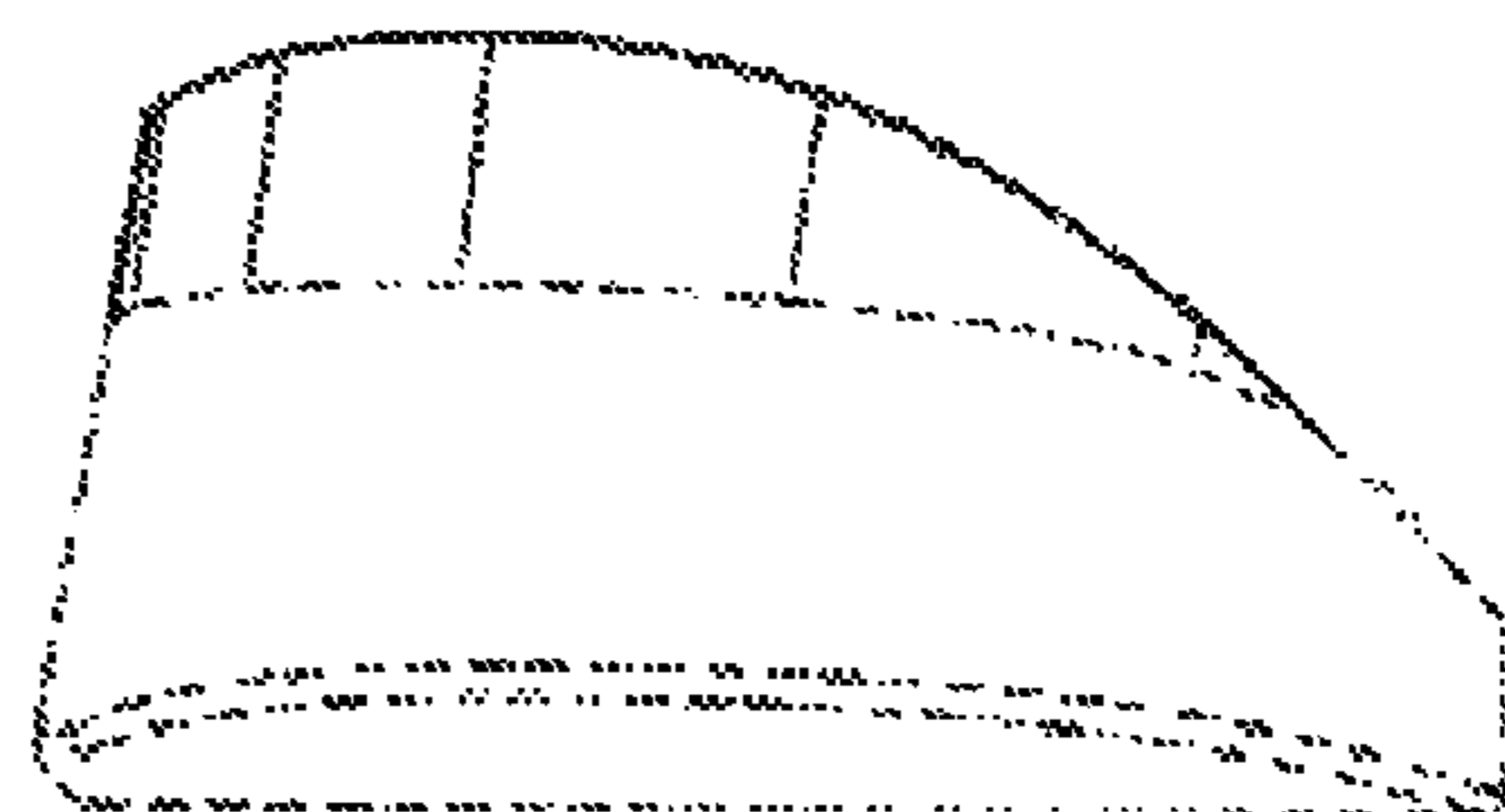


FIG. 14

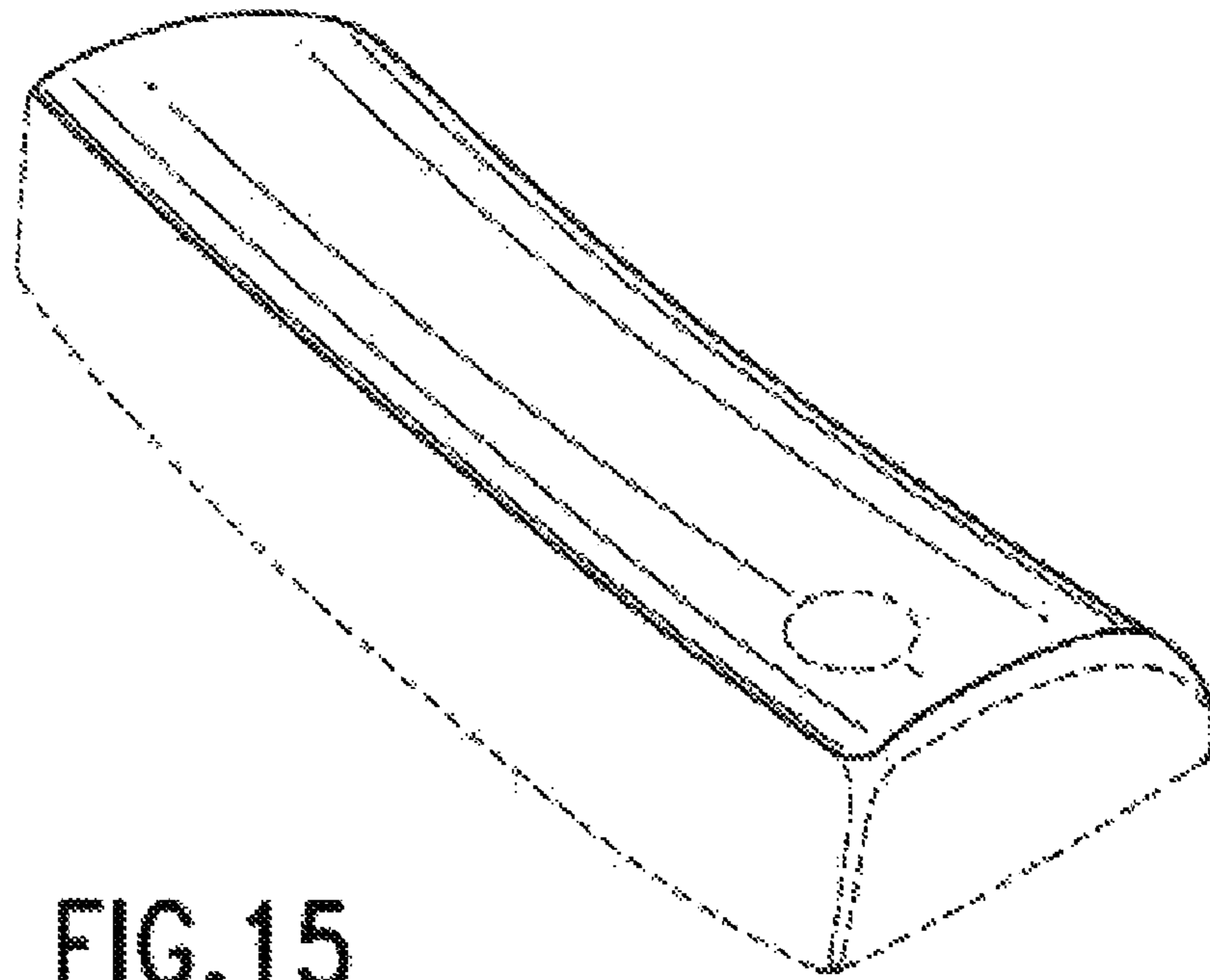


FIG. 15

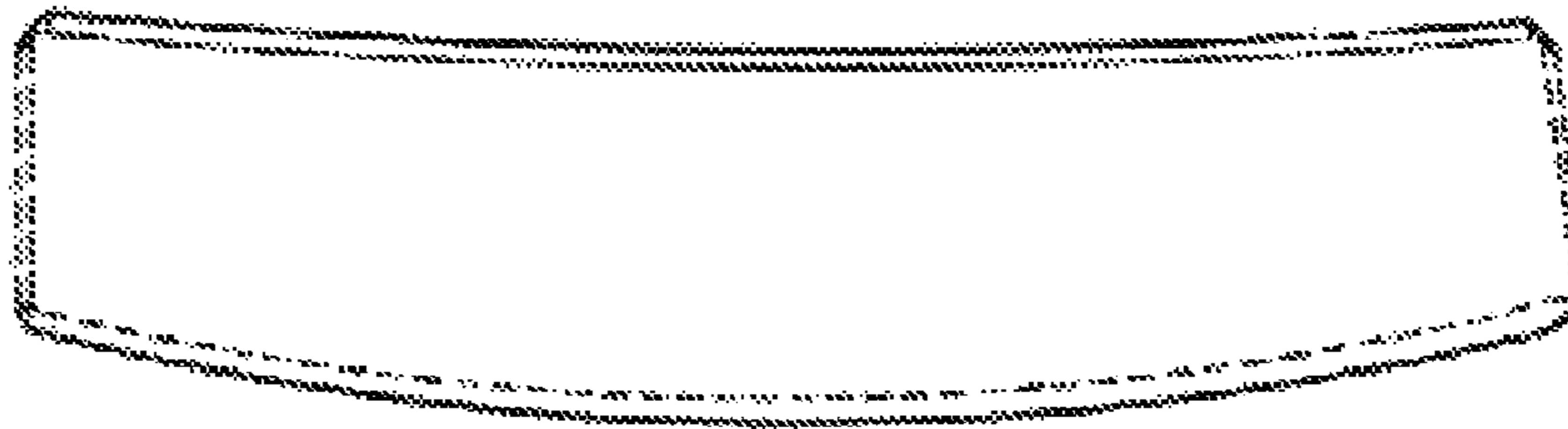


FIG. 16

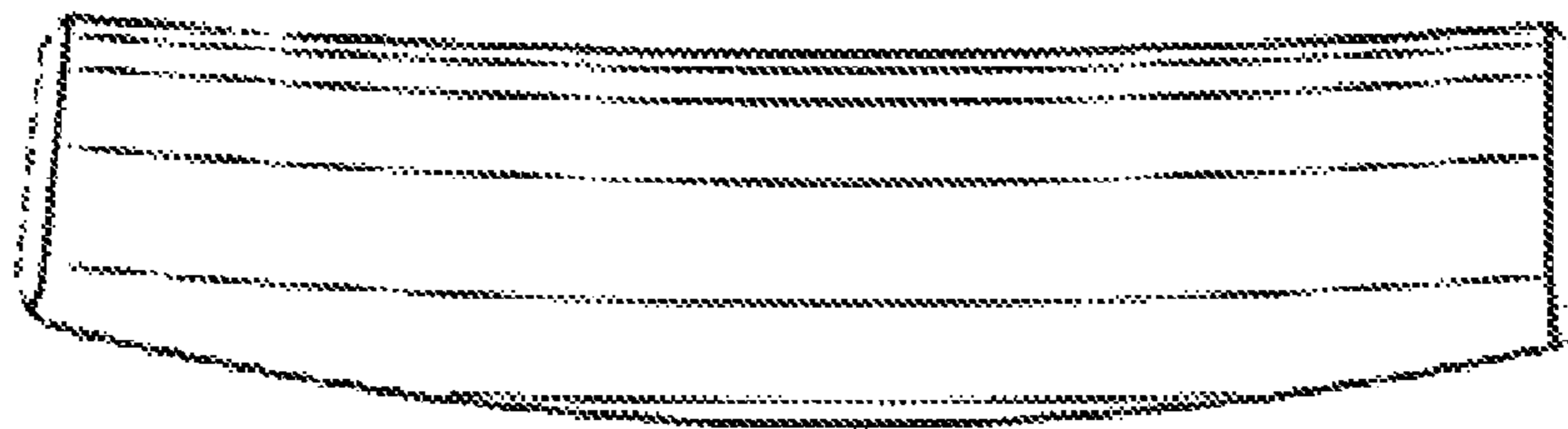


FIG. 17

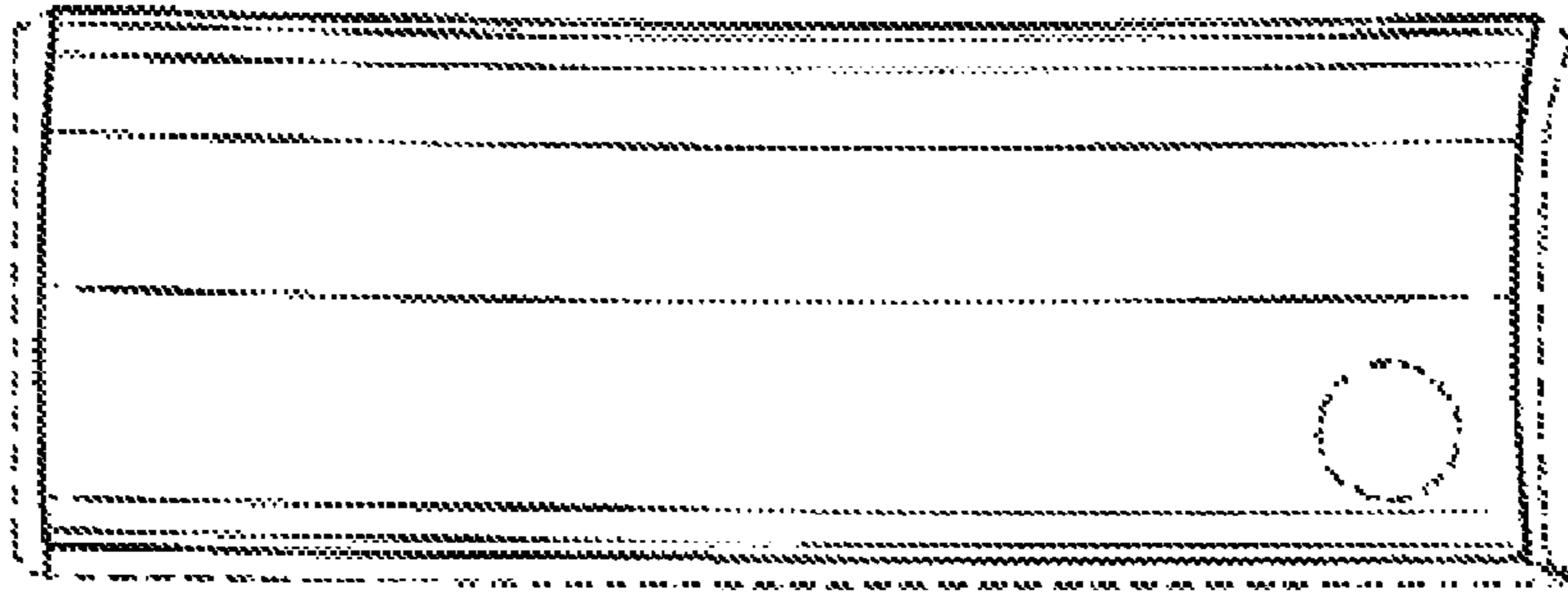


FIG. 18

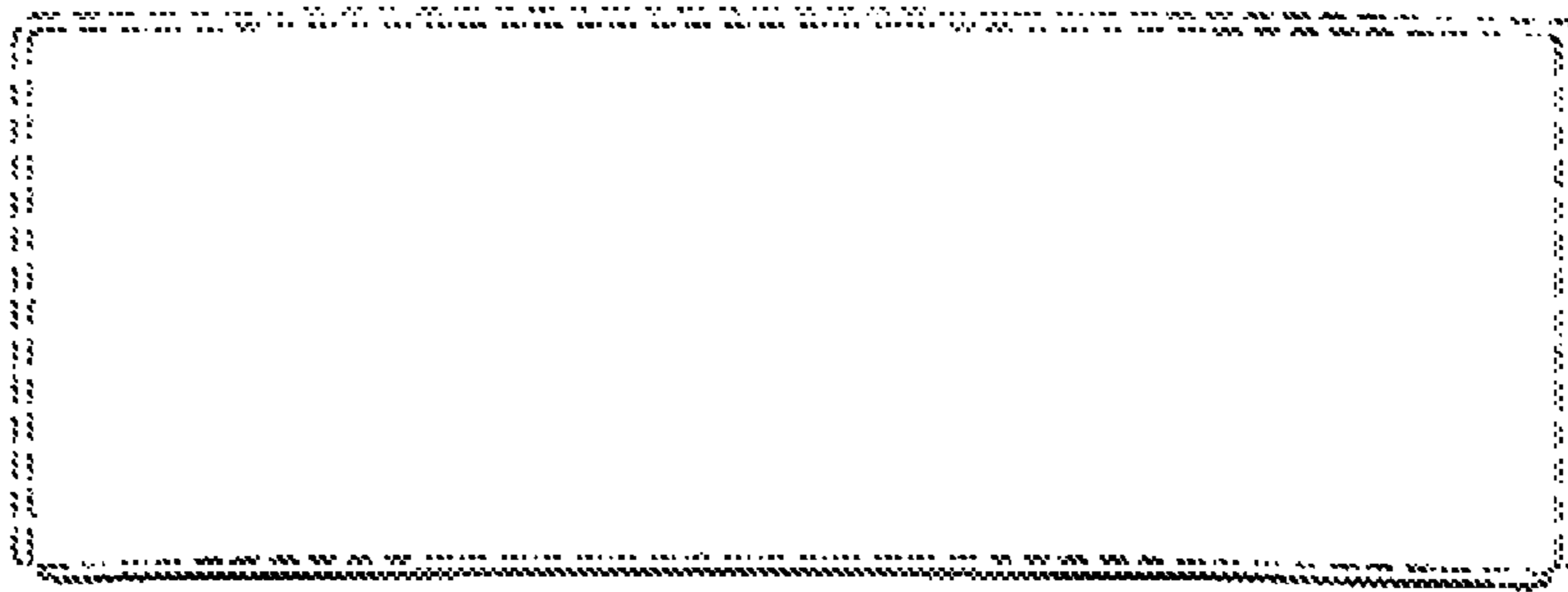


FIG. 19

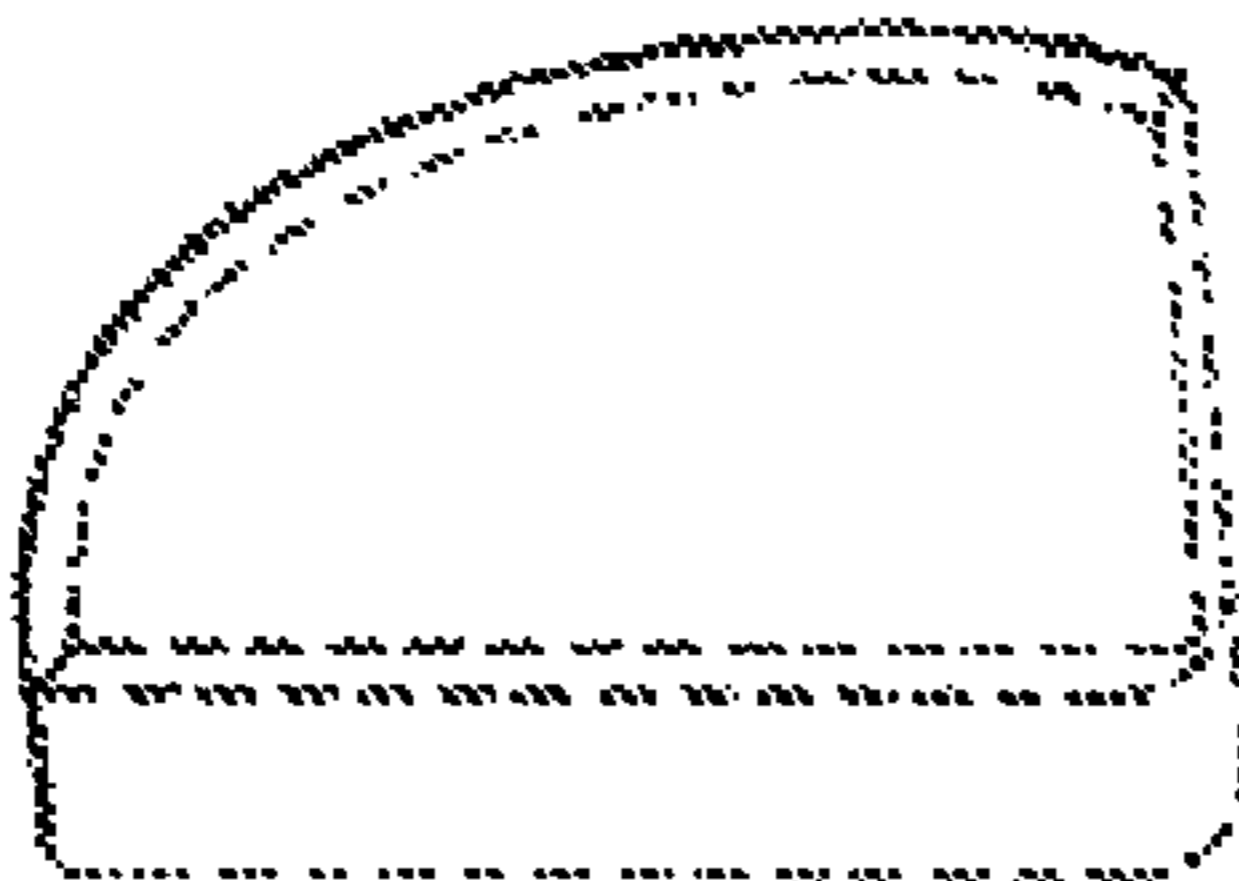


FIG. 20

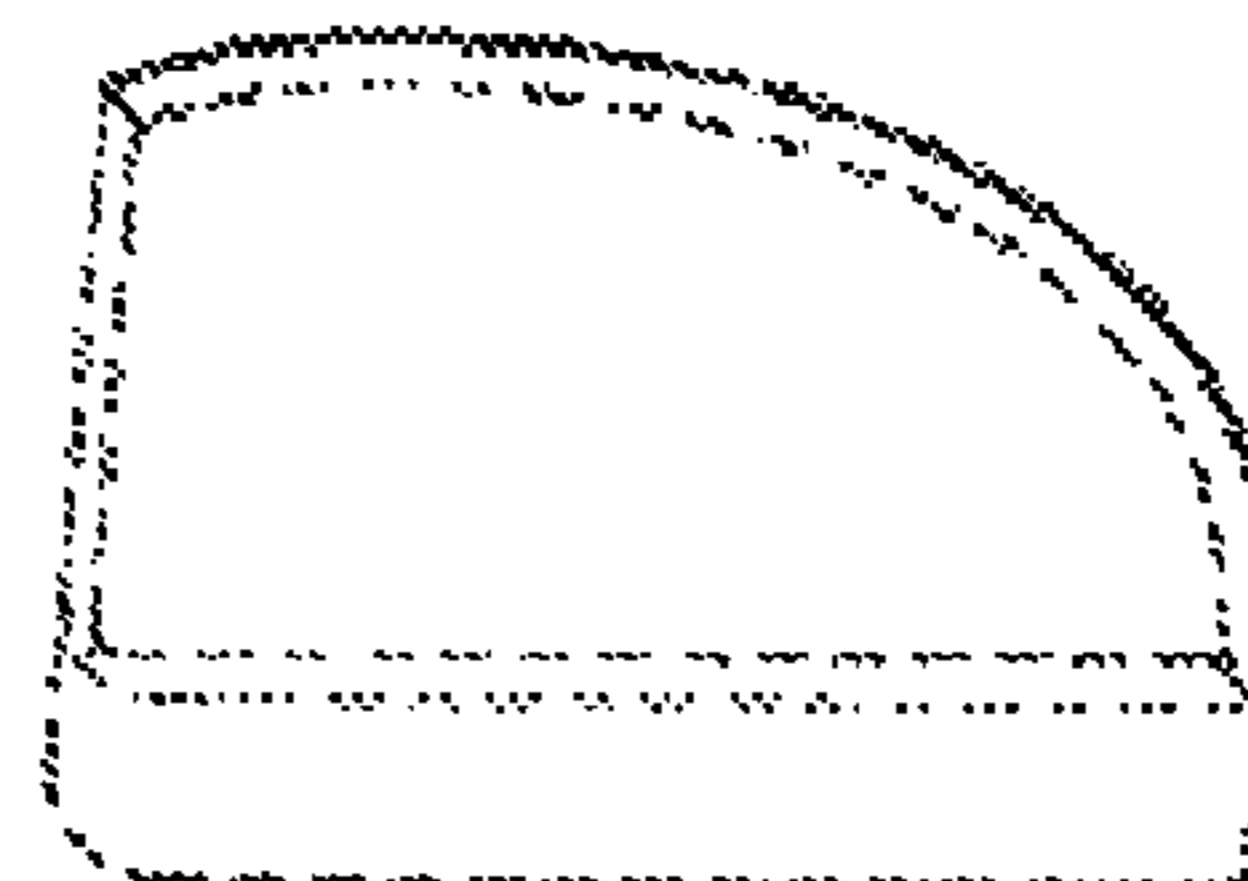


FIG. 21